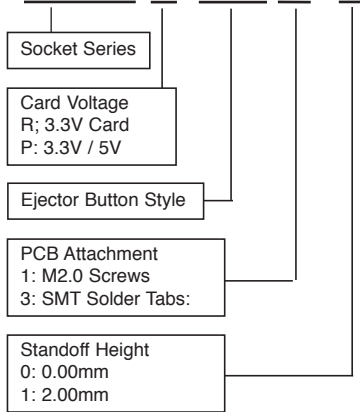


## CN015 SERIES



### ORDERING INFORMATION

CN015 \* -200 \* - \*



### Characteristics

Current Rating:	0.5A
Insulation Resistance:	1000M   Minimum at 500 VDC
Withstanding Voltage:	250 VAC
Contact Resistance:	40m   (excluding 25m   conductor resistance)
Operating Temperature:	-20°C ~ +60°C
Mating Cycles:	10,000 Insertions

### Material and Finish

Insulator:	High Temp Thermoplastic-UL94V-0
Contact:	Copper Alloy
Plating:	Mating Face: Au over Ni Terminals: SnPb over Ni

### Features

1. Write Protection
2. Single or dual voltage operation
3. Rugged construction
4. Four step sequence contacts  
(For hot insertion)
5. Optional standoffs allow components  
to be mounted under connector

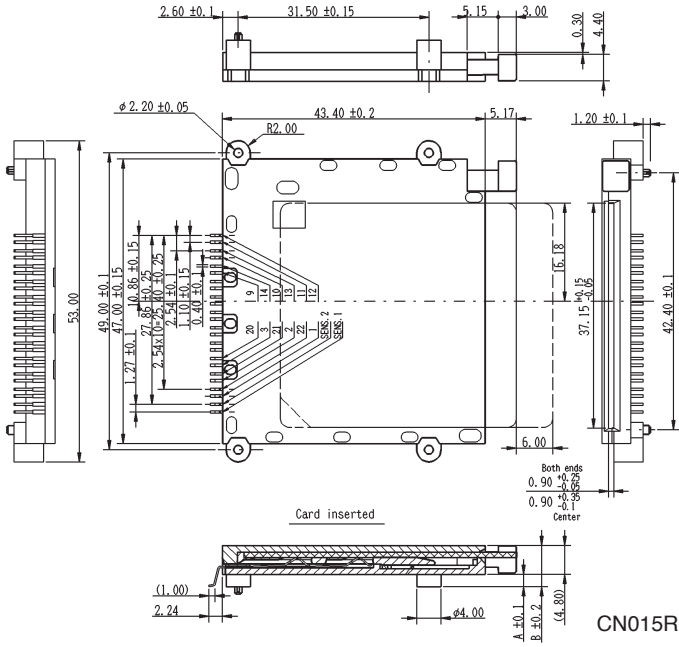
### CN015 \* -200 \* - \* FUNCTION TABLE

Part Number	Sequential Contacts	Write Protection	Card Voltage	Mis-insertion Protection	Standoff Height	PCB Attachment
CN015R-2001-*	✓	✓	3.3V	✓	0.00 / 2.00mm	M2.0 Screws
CN015P-2001-*	✓	✓	3.3V / 5V	—	0.00 / 2.00mm	M2.0 Screws
CN015R-2003-*	✓	✓	3.3V	✓	0.00 / 2.00mm	SMT Solder Tabs
CN015P-2003-*	✓	✓	3.3V / 5V	—	0.00 / 2.00mm	SMT Solder Tabs

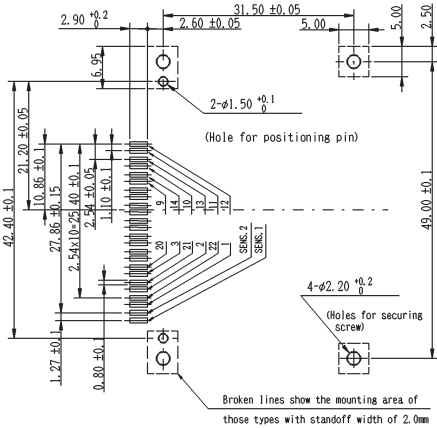
# CN015 SERIES

**APPLICABLE DIMENSIONS** *(reference only)*

**Connector Outline Dimensions**



CN015R-2001-\* Screw Lock Type  
 CN015P-2001-\*  
 Recommended PCB Layout



CN015R - 2001 - \*  
 0 = 0mm  
 1 = 2mm  
 Height of Standoff (See chart to right)

Height Dimension	Dash Number	
	-0	-1
A	0	2.00
B	4.80	6.80

Memory Products

