

5A, Multi-Chemistry Battery Charger IC With Photovoltaic Cell MPPT Function CN3722

General Descriptions:

The CN 3722^(Note 1) is a PWM switch-mode battery charger controller that can be powered by photovoltaic cell with maximum power point tracking function. The CN 3722 is specially designed for charging 1 or multi-cell lithium ion batteries or LiFePO4 batteries with constant current and constant voltage mode. In constant voltage mode, the regulation voltage is set by the external resistor divider. The constant charging current is programmable with a single current sense resistor.

Deeply discharged batteries are automatically trickle charged at 15% of the programmed constant charging current until the cell voltage exceeds 66.7% of the regulation voltage. In constant voltage mode, the charging current decreases gradually, the charge cycle will be terminated when the charging current drops to 9.5% of the full-scale current, and a new charge cycle automatically restarts if the battery voltage falls below 95.8% of the regulation voltage in constant voltage mode. CN3722 will automatically enter sleep mode when input voltage is lower than battery voltage. Other features include undervoltage lockout, battery temperature monitoring and status indication, etc.

CN3722 is available in a space-saving 16-pin TSSOP package.

Applications:

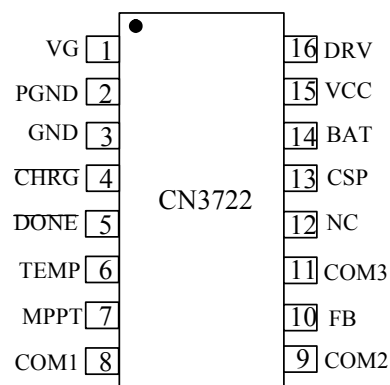
- The Charger Powered by Photovoltaic cell
- Electric Tools
- Battery-Backup Systems
- Standalone Battery Chargers

Note 1: Patent Pending

Features:

- Photovoltaic Cell Maximum Power Point Tracking
- Wide Input Voltage: 7.5V to 28V
- Complete Charger Controller for 1 or multi-cell Lithium-ion Battery or LiFePO4 Battery
- Charge Current Up to 5A
- High PWM Switching Frequency: 300KHz
- Constant Charging Voltage Set By the External Resistor Divider
- Charging Current is programmed with a sense resistor
- Automatic Conditioning of Deeply Discharged Batteries
- Battery Temperature Monitoring
- 2 Status Indications
- Soft Start
- Battery Overvoltage Protection
- Operating Ambient Temperature -40°C to $+85^{\circ}\text{C}$
- Available in 16 Pin TSSOP Package
- Pb-free , RoHS Compliant, and Halogen Free

Pin Assignment:



CONSONANCE

Typical Application Circuit:

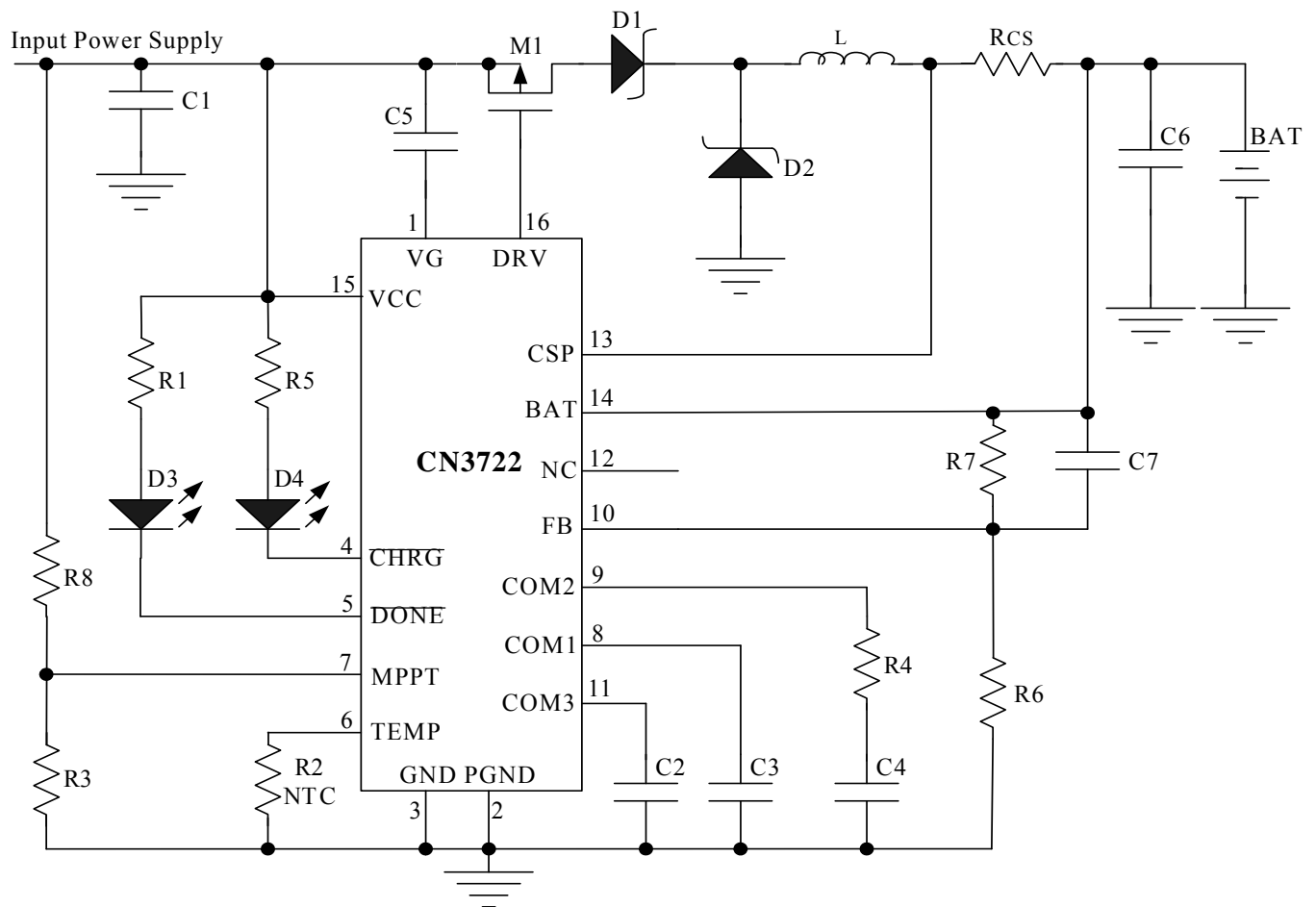


Figure 1 T typical Application Circuit

Ordering Information:

Part No.	Operating Ambient Temperature	Constant Charging Voltage
CN3722	-40°C to +85°C	Set By External Resistor Divider

CONSONANCE

Pin Description:

Pin No.	Name	Descriptions
1	VG	Internal Voltage Regulator. VG internally supplies power to gate driver, connect a 100nF capacitor between VG pin and VCC pin.
2	PGND	Power Ground.
3	GND	Analog Ground.
4	$\overline{\text{CHRG}}$	Open-Drain Output. When the battery is being charged, this pin is pulled low by an internal switch. Otherwise this pin is in high impedance state.
5	$\overline{\text{DONE}}$	Open-Drain Output. When the charging is terminated, this pin is pulled low by an internal switch. Otherwise this pin is in high impedance state.
6	TEMP	Battery Temperature Monitoring Input. Connect an NTC resistor from this pin to GND.
7	MPPT	Photovoltaic Cell Maximum Power Point Tracking Pin. Connect this pin to the external resistor divider for maximum power point tracking. In maximum power point tracking status, the MPPT pin's voltage is regulated to 1.04V(25°C) with a temperature coefficient of $-0.4\% / ^\circ\text{C}$.
8	COM1	Loop Compensation Input 1. Connect a 470pF capacitor from this pin to GND.
9	COM2	Loop Compensation Input 2. Connect a 220nF capacitor in series with an 120Ω resistor from this pin to GND.
10	FB	Battery Voltage Feedback Input. Need to connect to the external resistor divider.
11	COM3	Loop Compensation Input 3. Connect an 100nF capacitor from this pin to GND.
12	C	No Connection
13	CSP	Positive Input for Charging Current Sensing. CSP and BAT pin measure the voltage drop across the sense resistor R_{CS} to provide the current signals required.
14	BAT	Negative Input for Charging Current Sensing. BAT and CSP pin measure the voltage drop across the sense resistor R_{CS} to provide the current signals required.
15	VCC	External DC Power Supply Input. VCC is also the power supply for internal circuit. Bypass this pin with a capacitor.
16	DRV	Drive the gate of external P-channel MOSFET.

Absolute Maximum Ratings

Voltage from VCC, VG, DRV, CHRG, DONE to GND.....	-0.3V to 30V
Voltage from CSP, BAT to GND.....	-0.3V to 28V
Voltage from COM3 to GND.....	6.5V
Voltage from Other Pins to GND.....	-0.3V to $V_{\text{COM3}}+0.3\text{V}$
Storage Temperature.....	-65°C---150°C
Operating Ambient Temperature.....	-40°C---85°C
Lead Temperature(Soldering, 10 seconds).....	300°C

Stresses beyond those listed under 'Absolute Maximum Ratings' may cause permanent damage to the device. These are stress ratings only and functional operation of the device at these or any other conditions above those indicated in the operational sections of the specifications is not implied. Exposure to Absolute Maximum Rating Conditions for extended periods may affect device reliability.

CONSONANCE

Electrical Characteristics:

(VCC=15V, TA=-40°C to 85°C, unless otherwise noted)

Parameters	Symbol	Conditions	Min	Typ	Max	Unit	
Input Voltage Range	VCC		7.5		28	V	
Undervoltage lockout Threshold	UVLO		4.2	6	7.3	V	
Operating Current	IVCC	No switching	1	1.55	2.1	mA	
Feedback Voltage	VFB	FB pin, Constant voltage mode	2.392	2.416	2.44	V	
FB Pin Bias Current	IFB	VFB=2.4V		50	300	nA	
Current Sense Voltage (VCS - VBAT)	VCS	VBAT > 66.7% × VREG	190	200	210	mV	
		VBAT < 66.7% × VREG	18	30	42		
Current into BAT Pin	IBAT	VBAT=12V	5	10	15	uA	
Precharge Threshold	VPRE	VBAT rising		66.7%		VREG (Note2)	
Recharge Threshold	VRE	VBAT falling		95.8%			
Overvoltage Trip Level	VOV	VBAT rising	1.06	1.08	1.1		
Overvoltage Clear Level	Vclr	VBAT falling	0.98	1	1.02		
MPPT Pin							
MPPT Regulation Voltage	VMPPT	Maximum power point tracking	1.0	1.04	1.08	V	
VMPPT TC	TCMPPT	Maximum power point tracking		-0.4%		/ °C	
MPPT Pin Bias Current	IMPPT		-100	0	+100	nA	
TEMP Pin							
Pull up Current	Iup		41	50	65	uA	
High Threshold	Vthh	TEMP Voltage Rising	1.57	1.61	1.65	V	
Low Threshold	Vthl	TEMP Voltage Falling	0.145	0.175	0.205	V	
CHRG Pin							
CHRG Pin Sink Current	ICHRG	VCHRG=1V, charge mode	7	12	18	mA	
CHRG Leakage Current	ILK1	VCHRG=25V, termination mode			1	uA	
DONE Pin							
DONE Sink Current	IDONE	VDONE=1V, termination mode	7	12	18	mA	
DONE Leakage Current	ILK2	VDONE=25V, charge mode			1	uA	
Oscillator							
Switching Frequency	fosc		240	300	360	kHZ	
Maximum Duty Cycle	Dmax			94		%	
Sleep Mode							
Sleep Mode Threshold (measure VCC - VBAT)	VSLP V	CC falling	VBAT=8V	0.06	0.1	0.14	V
			VBAT=12V	0.1	0.14	0.18	
			VBAT=18V	0.18	0.23	0.28	
Sleep mode Release Threshold (measure VCC - VBAT)	VSLPR	VCC rising,	VBAT=8V	0.26	0.32	0.39	V
			VBAT=12V	0.32	0.42	0.52	
			VBAT=18V	0.38	0.47	0.58	

CONSONANCE

Electrical Characteristics:(Continued from last page)

Parameters	Symbol	Conditions	Min	Typ	Max	Unit
DRV Pin						
V_{DRV} High ($V_{CC}-V_{DRV}$)	VH	$I_{DRV} = -10mA$				mV
V_{DRV} Low ($V_{CC}-V_{DRV}$)	VL I	$I_{DRV} = 0mA$	5	6.5	8	V
Rise Time	t_r	Load=2nF, 10% to 90%	30	40	65	ns
Fall Time	t_f	Load=2nF, 90% to 10%	30	40	65	ns

Note 2: V_{REG} is the regulation voltage at BAT pin in constant voltage mode

Detailed Description:

The CN3722 is a constant current, constant voltage battery charger controller that can be powered by the photovoltaic cell with maximum power point tracking function, the device is specially designed for 1 or multi-cell Li-Ion battery or LiFePO4 batteries. The charge current is set by an external sense resistor (R_{CS}) across the CSP and BAT pins. The final battery regulation voltage V_{REG} in constant voltage mode is set by the external resistor divider.

A charge cycle begins when the following 3 conditions are met:

- (1) The voltage at VCC pin rises above the UVLO level
- (2) The voltage at VCC pin is greater than the battery voltage by sleep mode release threshold V_{SLPR}
- (3) The voltage at VCC pin is no less than the maximum power point voltage set by the external resistors

At the beginning of the charge cycle, if the battery voltage is less than $66.7\% \times V_{REG}$, the charger goes into trickle charge mode. The trickle charge current is internally set to 15%(Typical) of the full-scale current. When the battery voltage exceeds $66.7\% \times V_{REG}$, the charger goes into the full-scale constant current charge mode. In constant current mode, the charge current is set by the external sense resistor R_{CS} and an internal 200mV reference, so the charge current equals to $200mV/R_{CS}$. When the battery voltage approaches the regulation voltage, the charger goes into constant voltage mode, and the charge current will start to decrease. In constant voltage mode, the charge cycle will be terminated once the charge current decreases to 9.5% of the full-scale current. During the charge termination status, the DRV pin is pulled up to VCC, and an internal comparator turns off the internal pull-down N-channel MOSFET at the \overline{CHRG} pin, another internal pull-down N-channel MOSFET at the \overline{DONE} pin is turned on to indicate the termination status.

To restart the charge cycle, just remove and reapply the input voltage. Also, a new charge cycle will automatically begin if the battery voltage drops below the recharge threshold voltage of $95.8\% \times V_{REG}$.

When the input voltage is not present, the charger goes into sleep mode.

A 10k Ω NTC (negative temperature coefficient) thermistor can be connected from the TEMP pin to ground for battery temperature qualification. The charge cycle is suspended if the battery's temperature is outside of the acceptable range.

An overvoltage comparator guards against voltage transient overshoots (>8% of regulation voltage). In this case, P-channel MOSFET are turned off until the overvoltage condition is cleared. This feature is useful for battery load dump or sudden removal of battery.

The charging profile is shown in Figure 2.

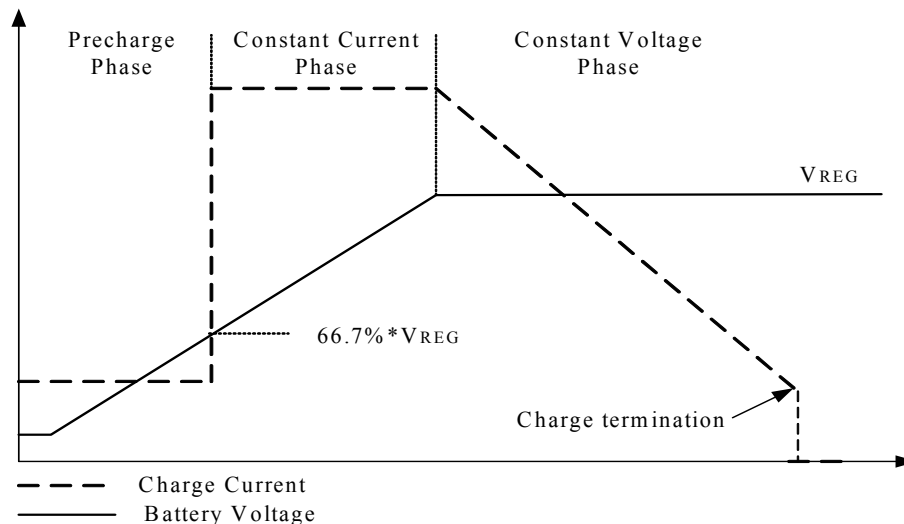


Figure 2 The Charging Profile

Application Information

Undervoltage Lockout (UVLO)

An undervoltage lockout circuit monitors the input voltage and keeps the charger off if VCC falls below 6V(Typical).

Set the Regulation Voltage in Constant Voltage Mode

As shown in Figure 1, battery voltage is feedback to FB pin via the resistor divider composed of R6 and R7. CN3722 decided the charging status based on FB's voltage. When FB's voltage approaches 2.416V, the charger goes into constant voltage mode. In constant voltage mode, the charge current decrease gradually, and the battery voltage remains unchanged.

In light of FB pin's bias current, the regulation voltage in constant voltage mode is determined by the following equation:

$$V_{BAT} = 2.416 \times (1 + R7 / R6) + I_B \times R7$$

Where, I_B is FB pin's bias current, which is 50nA typical.

From the above equation, we can see that an error is introduced due to the existence of bias current I_B , the error is $I_B \times R7$. If $R7 = 500K\Omega$, then the error is about 25mV. So the error should be taken into account while designing the resistor divider.

The regulation voltage range that can be set is from 3V to 25V.

The Maximum Power Point Tracking

CN3722 adopts the constant voltage method to track the photovoltaic cell's maximum power point. From I-V curve of photovoltaic cell, under a given temperature, the photovoltaic cell's voltages at the maximum power point are nearly constant regardless of the different irradiances. So the maximum power point can be tracked if the photovoltaic cell's output voltage is regulated to a constant voltage. But the maximum power point voltage has a temperature coefficient of about $-0.4\% / ^\circ C$.

At $25^\circ C$, CN3722's MPPT pin's voltage is regulated to 1.04V with a temperature coefficient of $-0.4\% / ^\circ C$ to track the maximum power point working with the off-chip resistor divider(R3 and R8 in Figure 1).

At $25^\circ C$, the maximum power point voltage is decided by the following equation:

$$V_{MPPT} = 1.04 \times (1 + R8 / R3)$$

CONSONANCE

CN3722 Powered By Both AC Adaptor and Photovoltaic Cell

Both AC adaptor and photovoltaic cell can be used to power CN3722. The charge current can be set based on AC adaptor's capability which is generally larger than that of photovoltaic cell. When photovoltaic cell is used, CN3722 can automatically adjust the charge current to the photovoltaic cell's maximum power point current. It should be noted that AC adaptor's output voltage should be no less than the photovoltaic cell's MPPT voltage.

Trickle Charge Mode

At the beginning of a charge cycle, if the battery voltage is below $66.7\% \times V_{REG}$, the charger goes into trickle charge mode with the charge current reduced to 15% of the full-scale current.

Charge Current Setting

The full-scale charge current, namely the charge current in constant current mode, is decided by the following formula:

$$I_{CH} = \frac{200mV}{R_{CS}}$$

Where: I_{CH} is the full scale charge current

R_{CS} is the resistor between the CSP pin and BAT pin

Charge Termination

In constant voltage mode, the charge cycle will be terminated once the charge current decreases to 9.5% of the full-scale current.

Automatic Battery Recharge

After the charge cycle is completed and both the battery and the input power supply (wall adapter) are still Connected, a new charge cycle will begin if the battery voltage drops below $95.8\% \times V_{REG}$ due to self-discharge or external loading. This will keep the battery capacity at more than 90% at all times without manually restarting the charge cycle.

Battery Temperature Monitoring

A negative temperature coefficient (NTC) thermistor located close to the battery pack can be used to monitor battery temperature and will not allow charging unless the battery temperature is within an acceptable range.

Connect a 10k Ω thermistor from the TEMP pin to ground. Internally, for hot temperature, the low voltage threshold is set at 175mV which is equal to 50 $^{\circ}$ C ($R_{NTC} \approx 3.5k\Omega$). For cold temperature, the high voltage threshold is set at 1.61V which is equal to 0 $^{\circ}$ C ($R_{NTC} \approx 32k\Omega$) with 50 μ A of pull-up current.

Once the temperature is outside the window, the charge cycle will be suspended, and the charge cycle resumes if the temperature is back to the acceptable range.

The TEMP pin's pull up current is about 50 μ A, so the NTC thermistor's resistance should be 10k Ω at 25 $^{\circ}$ C, about 3.5k Ω at hot temperature threshold, and about 32k Ω at cold temperature threshold. The NTC thermistor such as TH11-3H103F, MF52(10 k Ω), QWX-103 and NCP18XH103F03RB can work well with CN3722. The above mentioned part numbers are for reference only, the users can select the right NTC thermistor part number based on their requirements.

If battery temperature monitoring function is not needed, just connect a 10K Ω resistor from TEMP pin to GND.

Status Indication

The CN3722 has 2 open-drain status outputs: \overline{CHRG} and \overline{DONE} . \overline{CHRG} is pulled low when the charger is in charging status, otherwise \overline{CHRG} becomes high impedance. \overline{DONE} is pulled low if the charger is in charge termination status, otherwise \overline{DONE} becomes high impedance.

When the battery is not present, the charger charges the output capacitor to the regulation voltage quickly, then the BAT pin's voltage decays slowly to recharge threshold because of low leakage current at BAT pin, which results in a ripple waveform at BAT pin, in the meantime, \overline{CHRG} pin outputs a pulse to indicate that the

CONSONANCE

battery's absence.

The open drain status output that is not used should be tied to ground.

The table 1 lists the two indicator status and its corresponding charging status. It is supposed that red LED is connected to $\overline{\text{CHRG}}$ pin and green LED is connected to $\overline{\text{DONE}}$ pin.

$\overline{\text{CHRG}}$ pin	$\overline{\text{DONE}}$ pin	State Description
Low(the red LED on)	High Impedance(the green LED off)	Charging
High Impedance(the red LED off)	Low(the green LED on)	Charge termination
Pulse signal	Pulse signal	Battery not connected
High Impedance(the red LED off)	High Impedance(the green LED off)	There are three possible state: <ul style="list-style-type: none"> ● the voltage at the VCC pin below the UVLO level or ● the voltage at the VCC pin below V_{BAT}, or ● abnormal battery's temp

Table 1 Indication Status

Gate Drive

The CN3722's gate driver can provide high transient currents to drive the external pass transistor. The rise and fall times are typically 40ns when driving a 2000pF load, which is typical for a P-channel MOSFET with $R_{\text{ds(on)}}$ in the range of 50mΩ.

A voltage clamp is added to limit the gate drive to 8V max. below VCC. For example, if VCC is 20V, then the DRV pin output will be pulled down to 12V min. This allows low voltage P-channel MOSFETs with superior $R_{\text{ds(on)}}$ to be used as the pass transistor thus increasing efficiency.

Loop Compensation

In order to make sure that the current loop and the voltage loop are stable, the following compensation components are necessary:

- (1) A 470pF capacitor from the COM1 pin to GND
- (2) A series 220nF ceramic capacitor and 120Ω resistor from the COM2 pin to GND
- (3) An 100nF ceramic capacitor from the COM3 pin to GND
- (4) The capacitance C7 in Figure 1 can be roughly calculated by: $C7 = 8 \times (R6 / R7)$ (pF)

Battery Detection

CN3722 does not provide battery detection function, when the battery is not present, the charger charges the output capacitor to the regulation voltage quickly, then the BAT pin's voltage decays slowly to recharge threshold because of low leakage current at BAT pin, which results in a ripple waveform at BAT pin, in the meantime, $\overline{\text{CHRG}}$ pin outputs a pulse to indicate that the battery's absence.

It is generally not a good practice to connect a battery while the charger is running. The charger may provide a large surge current into the battery for a brief time.

Input and Output Capacitors

Since the input capacitor is assumed to absorb all input switching ripple current, it must have an adequate ripple current rating. Worst-case RMS ripple current is approximately one-half of output charge current.

The selection of output capacitor is primarily determined by the ESR required to minimize ripple voltage and load step transients. Generally speaking, a 10uF ceramic capacitor can be used.

Inductor Selection

During P-channel MOSFET's on time, the inductor current increases, and decreases during P-channel MOSFET's off time, the inductor's ripple current increases with lower inductance and higher input voltage.

CONSONANCE

Higher inductor ripple current results in higher charge current ripple and greater core losses. So the inductor's ripple current should be limited within a reasonable range.

The inductor's ripple current is given by the following formula:

$$\Delta I_L = \frac{1}{f(L)} V_{BAT} \left(1 - \frac{V_{BAT}}{V_{CC}}\right)$$

Where, f is the switching frequency 300KHz

L is the inductor value

V_{BAT} is the battery voltage

V_{CC} is the input voltage

A reasonable starting point for setting inductor ripple current is $\Delta I_L = 0.4 \times I_{CH}$, I_{CH} is the charge current.

Remember that the maximum ΔI_L occurs at the maximum input voltage and the lowest inductor value. So lower charge current generally calls for larger inductor value.

Use Table 2 as a guide for selecting the correct inductor value for your application.

Charge Current	Input Voltage	Inductor Value
1A	>20V	40uH
	<20V	30uH
2A	>20V 30	uH
	<20V	20uH
3A	>20V 20	uH
	<20V	15uH
4A	>20V 15	uH
	<20V	10uH
5A	>20V 10	uH
	<20V	8uH

Table 2 Guide to Select Inductor Value

MOSFET Selection

The CN3722 uses a P-channel power MOSFET switch. The MOSFET must be selected to meet the efficiency or power dissipation requirements of the charging circuit as well as the maximum temperature of the MOSFET. The peak-to-peak gate drive voltage is set internally, this voltage is typically 6.5V. Consequently, logic-level threshold MOSFETs must be used. Pay close attention to the BV_{DSS} specification for the MOSFET as well; many of the logic level MOSFETs are limited to 30V or less.

Selection criteria for the power MOSFET includes the "on" resistance $R_{ds(on)}$, total gate charge Q_g , reverse transfer capacitance C_{RSS} , input voltage and maximum charge current.

The MOSFET power dissipation at maximum output current is approximated by the equation:

$$P_d = \frac{V_{BAT}}{V_{CC}} \times R_{ds(on)} \times I_{CH}^2 \times (1 + 0.005dT)$$

Where:

P_d is the power dissipation of the power MOSFET

V_{BAT} is the maximum battery voltage

V_{CC} is the minimum input voltage

$R_{ds(on)}$ is the power MOSFET's on resistance at room temperature

I_{CH} is the charge current

dT is the temperature difference between actual ambient temperature and room temperature(25°C)

In addition to the $I^2R_{ds(on)}$ loss, the power MOSFET still has transition loss, which are highest at the highest

CONSONANCE

input voltage. Generally speaking, for $V_{IN} < 20V$, the $I^2R_{ds(on)}$ loss may be dominant, so the MOSFET with lower $R_{ds(on)}$ should be selected for better efficiency; for $V_{IN} > 20V$, the transition loss may be dominant, so the MOSFET with lower C_{RSS} can provide better efficiency. C_{RSS} is usually specified in the MOSFET characteristics; if not, then C_{RSS} can be calculated using $C_{RSS} = Q_{GD}/\Delta V_{DS}$.

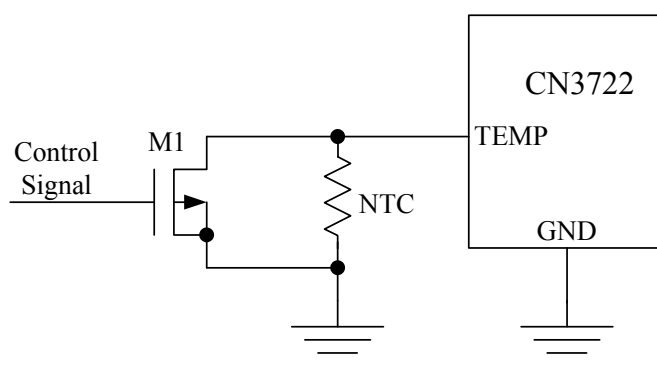
The MOSFETs such as AO4459, STM9435(or WT9435), AO3407A can be used. The part numbers listed above are for reference only, the users can select the right MOSFET based on their requirements.

Diode Selection

The diodes D1 and D2 in Figure 1 are schottky diode, the current rating of the diodes should be at least the charge current limit, the voltage rating of the diode should exceed the maximum expected input voltage. The diode that is much larger than that is sufficient can result in larger transition losses due to their larger junction capacitance.

Disable Charging with TEMP Pin

The charging can be disabled with TEMP pin, as shown in Figure 3:



Note: M1 is N-Channel MOSFET

Figure 3 Disable Charging With TEMP Pin

When control signal is high, N-channel MOSFET M1 is turned on, the voltage at TEMP pin is pulled down to GND, which will disable the charging;

When control signal is low, N-channel MOSFET is turned off, the voltage at TEMP pin is determined by NTC thermistor, which performs normal battery temperature monitoring function.

About Battery Current In Sleep Mode

In the typical application circuit shown in Figure 1, when input voltage is powered off or lower than battery voltage, CN3722 will enter sleep mode. In sleep mode, the battery current includes:

- (1) The current into BAT pin and CSP pin, which is about $10\mu A$ ($V_{BAT} = 12V$).
- (2) The current from battery to VCC pin via diode D1, which is determined by D1's leakage current.

The current will charge capacitance C1 at VCC pin, which will make VCC voltage a bit higher. To avoid erratic operation, a resistor in parallel with C1 can be needed to discharge the capacitance, the resistor value is determined by diode D1's leakage, generally speaking, a $20K\Omega$ resistor can achieve the task.

- (3) The current from battery to GND via diode D2, which is also determined by D2's leakage current.

PCB Layout Considerations

When laying out the printed circuit board, the following considerations should be taken to ensure proper operation of the IC.

- (1) To minimize radiation, the 2 diodes, pass transistor, inductor and the input bypass capacitor traces should be kept as short as possible. The positive side of the input capacitor should be close to the source of the P-channel MOSFET; it provides the AC current to the pass transistor. The connection between the catch

CONSONANCE

diode and the pass transistor should also be kept as short as possible.

- (2) The compensation capacitor connected at the COM1, COM2 and COM3 pins should return to the analog ground pin of the IC. This will prevent ground noise from disrupting the loop stability.
- (3) Since MPPT pin's voltage is a function of ambient temperature, while designing the PCB, CN3722 should be kept away from the heat source such as diodes, MOSFET, etc.
- (4) Output capacitor ground connections need to feed into same copper that connects to the input capacitor ground before tying back into system ground.
- (5) Analog ground and power ground(or switching ground) should return to system ground separately.
- (6) The ground pins also works as a heat sink, therefore use a generous amount of copper around the ground pins. This is especially important for high VCC and/or high gate capacitance applications.
- (7) Place the charge current sense resistor R_{CS} right next to the inductor output but oriented such that the IC's CSP and BAT traces going to R_{CS} are not long. The 2 traces need to be routed together as a single pair on the same layer at any given time with smallest trace spacing possible.
- (8) The CSP and BAT pins should be connected directly to the current sense resistor (Kelvin sensing) for best charge current accuracy. See Figure 4 as an example.

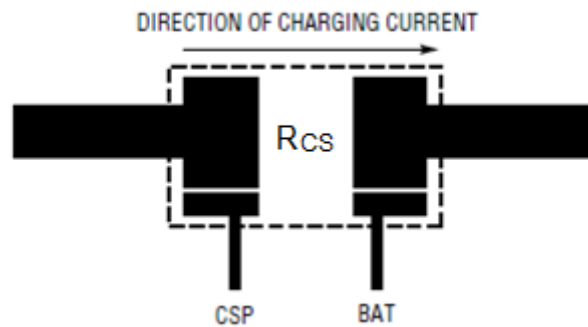
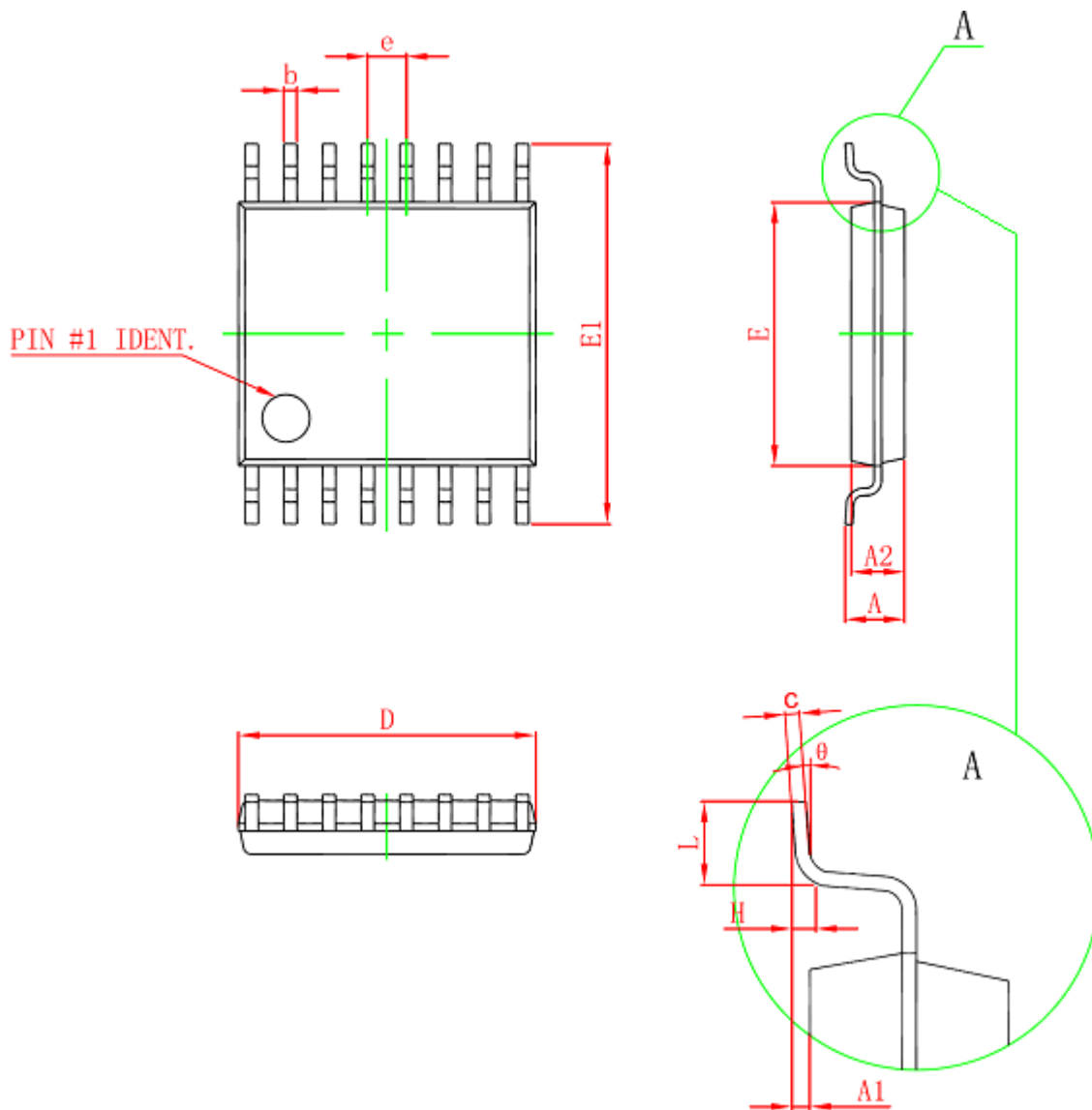


Figure 4 Kelvin Sensing of Charge Current

CONSONANCE

Package Information



Symbol	Dimensions In Millimeters		Dimensions In Inches	
	Min	Max	Min	Max
D	4.900	5.100	0.193	0.201
E	4.300	4.500	0.169	0.177
b	0.190	0.300	0.007	0.012
c	0.090	0.200	0.004	0.008
E1	6.250	6.550	0.246	0.258
A		1.100		0.043
A2	0.800	1.000	0.031	0.039
A1	0.020	0.150	0.001	0.006
e	0.65 (BSC)		0.026 (BSC)	
L	0.500	0.700	0.020	0.028
H	0.25 (TYP)		0.01 (TYP)	
θ	1°	7°	1°	7°

Consonance does not assume any responsibility for use of any circuitry described. Consonance reserves the right to change the circuitry and specifications without notice at any time.