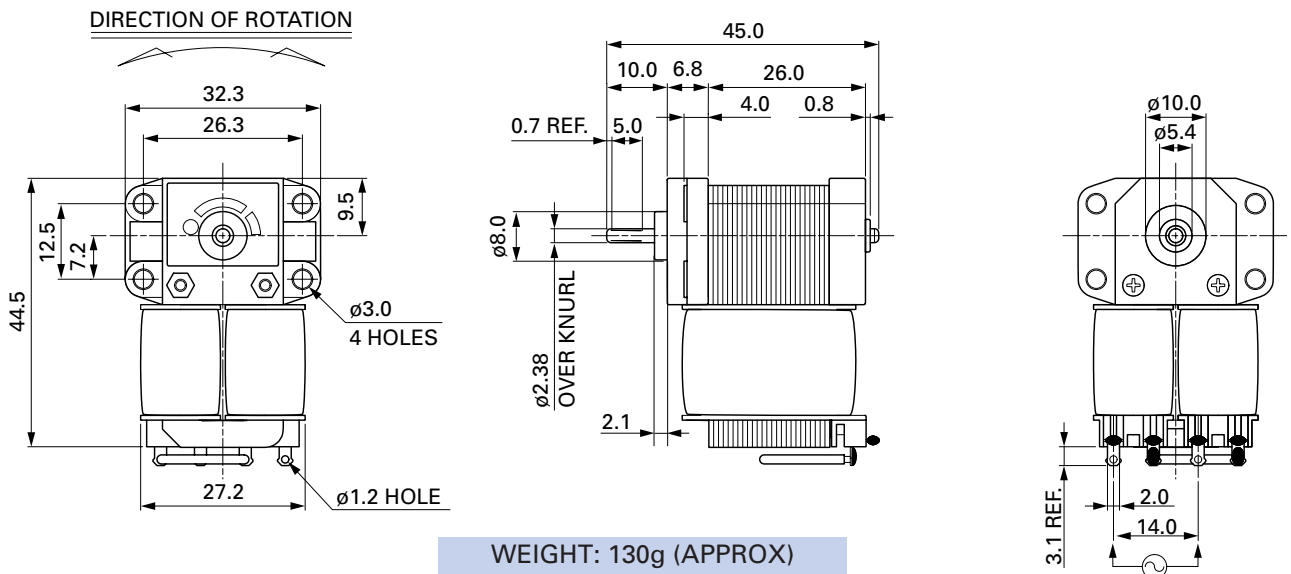


MODEL	VOLTAGE		FREQUENCY	SPEED	CURRENT	INPUT	PULL OUT TORQUE	
	OPERATING RANGE	NOMINAL					mN·m	g·cm
	AC. V	AC. V					Hz	r/min
CO-241PA-112700	220 ~ 240	230	50	3000	0.10	10.2	32.3	330
CO-241PA-161300	100 ~ 120	120	60	3600	0.17	8.5	27.4	280

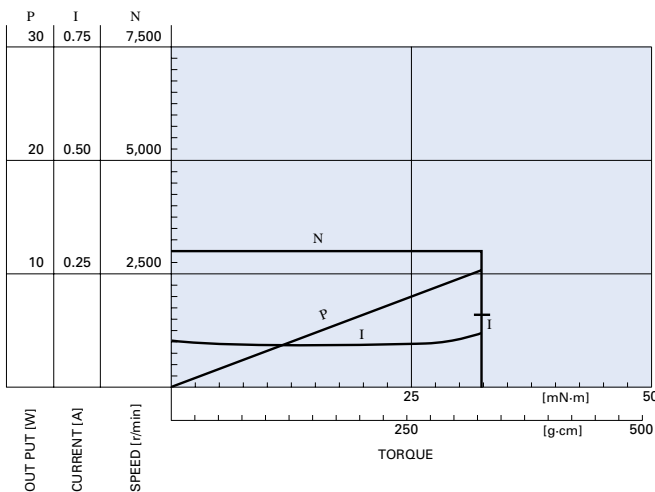
Direction of rotation is controlled mechanically.

UNIT: MILLIMETERS



CO-241PA-112700

AC 230V, 50Hz



CO-241PA-161300

AC 120V, 60Hz

