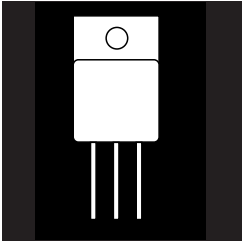


COM150A COM350A
COM250A COM450A

(COTS) COMMERCIAL OFF-THE-SHELF POWER MOSFET IN A TO-254AA PACKAGE



100V Thru 500V, Up To 25 Amp, N-Channel
MOSFET In Hermetic Metal Package

FEATURES

- Isolated Hermetic Metal Package
- Fast Switching
- Low $R_{DS(on)}$
- Standard Off-The-Shelf

DESCRIPTION

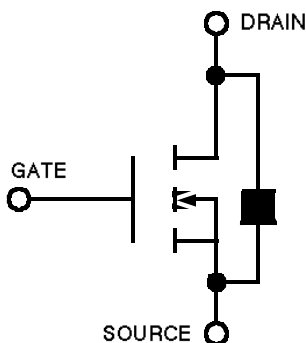
This series of hermetically packaged products feature the latest advanced MOSFET and packaging technology. They are ideally suited for Military requirements where small size, high performance and high reliability are required, and in applications such as switching power supplies, motor controls, inverters, choppers, audio amplifiers and high energy pulse circuits.

MAXIMUM RATINGS @ 25 C

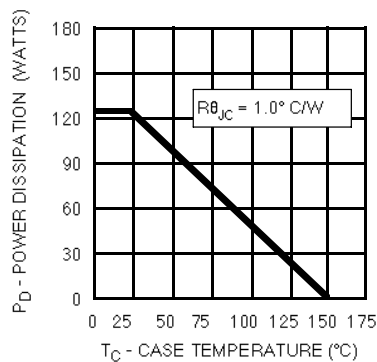
PART NUMBER	V_{DS}	$R_{DS(on)}$	I_D
COM150A	100 V	.070	25 A
COM250A	200 V	.100	20 A
COM350A	400 V	.32	12 A
COM450A	500 V	.42	10 A

31

SCHEMATIC



POWER RATING



ELECTRICAL CHARACTERISTICS: (T_C = 25°C unless otherwise noted)
STATIC P/N COM150A

Parameter	Min.	Typ.	Max.	Units	Test Conditions
BV _{DSS} Drain-Source Breakdown Voltage	100			V	V _{GS} = 0, I _B = 250 mA
V _{GS(th)} Gate-Threshold Voltage	2.0		4.0	V	V _{DS} = V _{GS} , I _D = 250 mA
I _{SSFF} Gate-Body Leakage Forward			100	nA	V _{GS} = +20 V
I _{SSRR} Gate-Body Leakage Reverse			-100	nA	V _{GS} = -20 V
I _{DSS} Zero Gate Voltage Drain Current		0.1	0.25	m A	V _{DS} = Max. Rat., V _{GS} = 0
		0.2	1.0	m A	V _{DS} = 0.8 Max. Rat., V _{GS} = 0, T _C = 125° C
I _(on) On-State Drain Current ¹	35			A	V _{DS} = 2 V _{DS(on)} , V _{GS} = 10 V
V _{DS(on)} Static Drain-Source On-State Voltage ¹		1.1	1.3	V	V _{GS} = 10 V, I _D = 20 A
R _{DS(on)} Static Drain-Source On-State Resistance ¹		0.55	0.07		V _{GS} = 10 V, I _D = 20 A
R _{DS(on)} Static Drain-Source On-State Resistance ¹		1.0	0.12		V _{GS} = 10 V, I _D = 20 A, T _C = 125 C

DYNAMIC

g _f Forward Transconductance ¹	9.0			S (M)	V _{DS} = 2 V _{DS(on)} , I _D = 20 A
C _{iss} Input Capacitance		2700		pF	V _{GS} = 0
C _{oss} Output Capacitance		1300		pF	V _{DS} = 25 V
C _{iss} Reverse Transfer Capacitance		470		pF	f = 1 MHz
t _(on) Turn-On Delay Time		28		ns	V _{DD} = 30 V, I _D @ 20 A
t _r Rise Time		45		ns	R _g = 5.0 W, V _G = 10V
t _(off) Turn-Off Delay Time		100		ns	(MOSFET switching times are essentially independent of operating temperature.)
t _f Fall Time		50		ns	(MOSFET switching times are essentially independent of operating temperature.)

BODY-DRAIN DIODE RATINGS AND CHARACTERISTICS

I _B Continuous Source Current (Body Diode)			-40	A	Modified MOSPOWER symbol showing the integral P-N Junction rectifier.
I _M Source Current ¹ (Body Diode)			-160	A	
V _{SD} Diode Forward Voltage ¹			-2.5	V	T _C = 25 C, I _S = -40 A, V _{GS} = 0
t _r Reverse Recovery Time		400		ns	T _J = 150 C, I _F = I _S , d _F /d _S = 100 A/ms

1 Pulse Test: Pulse Width 300msec, Duty Cycle 2%.

ELECTRICAL CHARACTERISTICS: (T_C = 25°C unless otherwise noted)
STATIC P/N COM250A

Parameter	Min.	Typ.	Max.	Units	Test Conditions
BV _{DSS} Drain-Source Breakdown Voltage	200			V	V _{GS} = 0, I _B = 250 mA
V _{GS(th)} Gate-Threshold Voltage	2.0		4.0	V	V _{DS} = V _{GS} , I _D = 250 mA
I _{SSFF} Gate-Body Leakage Forward			100	nA	V _{GS} = +20 V
I _{SSRR} Gate-Body Leakage Reverse			-100	nA	V _{GS} = -20 V
I _{DSS} Zero Gate Voltage Drain Current		0.1	0.25	m A	V _{DS} = Max. Rat., V _{GS} = 0
		0.2	1.0	m A	V _{DS} = 0.8 Max. Rat., V _{GS} = 0, T _C = 125° C
I _(on) On-State Drain Current ¹	30			A	V _{DS} = 2 V _{DS(on)} , V _{GS} = 10 V
V _{DS(on)} Static Drain-Source On-State Voltage ¹		1.36	1.60	V	V _{GS} = 10 V, I _D = 16 A
R _{DS(on)} Static Drain-Source On-State Resistance ¹		.085	.100		V _{GS} = 10 V, I _D = 16 A
R _{DS(on)} Static Drain-Source On-State Resistance ¹		0.15	0.18		V _{GS} = 10 V, I _D = 16 A, T _C = 125 C

DYNAMIC

g _f Forward Transconductance ¹	10.0			S (M)	V _{DS} = 2 V _{DS(on)} , I _D = 16 A
C _{iss} Input Capacitance		2400		pF	V _{GS} = 0
C _{oss} Output Capacitance		600		pF	V _{DS} = 25 V
C _{iss} Reverse Transfer Capacitance		250		pF	f = 1 MHz
t _(on) Turn-On Delay Time		25		ns	V _{DD} = 75 V, I _D @ 16 A
t _r Rise Time		60		ns	R _g = 5.0 W, V _G = 10V
t _(off) Turn-Off Delay Time		85		ns	(MOSFET switching times are essentially independent of operating temperature.)
t _f Fall Time		38		ns	(MOSFET switching times are essentially independent of operating temperature.)

BODY-DRAIN DIODE RATINGS AND CHARACTERISTICS

I _B Continuous Source Current (Body Diode)			-30	A	Modified MOSPOWER symbol showing the integral P-N Junction rectifier.
I _M Source Current ¹ (Body Diode)			-120	A	
V _{SD} Diode Forward Voltage ¹			-2	V	T _C = 25 C, I _S = -30 A, V _{GS} = 0
t _r Reverse Recovery Time		350		ns	T _J = 150 C, I _F = I _S , d _F /d _S = 100 A/ms

1 Pulse Test: Pulse Width 300msec, Duty Cycle 2%.

ELECTRICAL CHARACTERISTICS: (T_C = 25°C unless otherwise noted)
 STATIC P/N COM350A

Parameter	Min.	Typ.	Max.	Units	Test Conditions
BV _{DSS} Drain-Source Breakdown Voltage	400			V	V _{GS} = 0, I _D = 250 mA
V _{GS(th)} Gate-Threshold Voltage	2.0		4.0	V	V _{DS} = V _{GS} , I _D = 250 mA
I _{GSSF} Gate-Body Leakage Forward			100	nA	V _{GS} = +20 V
I _{GSSR} Gate-Body Leakage Reverse			-100	nA	V _{GS} = -20 V
I _{SS} Zero Gate Voltage Drain Current		0.1	0.25	m A	V _{DS} = Max. Rat., V _{GS} = 0
		0.2	1.0	m A	V _{DS} = 0.8 Max. Rat., V _{GS} = 0, T _C = 125° C
I _{Q(on)} On-State Drain Current ¹	15			A	V _{DS} = 2 V _{DS(on)} , V _{GS} = 10 V
V _{DS(on)} Static Drain-Source On-State Voltage ¹		2.0	2.64	V	V _{GS} = 10 V, I _D = 8.0 A
R _{DS(on)} Static Drain-Source On-State Resistance ¹		0.25	.32		V _{GS} = 10 V, I _D = 8.0 A
R _{DS(on)} Static Drain-Source On-State Resistance ¹		0.51	0.67		V _{GS} = 10 V, I _D = 8.0 A, T _C = 125 C

DYNAMIC

g _f Forward Transconductance ¹	6.0			S (M)	V _{DS} = 2 V _{DS(on)} , I _D = 8.0 A
C _{iss} Input Capacitance		2900		pF	V _{GS} = 0
C _{oss} Output Capacitance		450		pF	V _{DS} = 25 V
C _{iss} Reverse Transfer Capacitance		150		pF	f = 1 MHz
t _{d(on)} Turn-On Delay Time		30		ns	V _{DD} = 200 V, I _D @ 8.0 A
t _r Rise Time		40		ns	R _g = 5.0 W, V _{GS} = 10V
t _{d(off)} Turn-Off Delay Time		80		ns	(MOSFET switching times are essentially independent of operating temperature.)
t _f Fall Time		30		ns	

BODY-DRAIN DIODE RATINGS AND CHARACTERISTICS

I _S Continuous Source Current (Body Diode)			-15	A	Modified MOSPOWER symbol showing the integral P-N Junction rectifier.
I _{SM} Source Current ¹ (Body Diode)			-60	A	
V _{SD} Diode Forward Voltage ¹			-1.6	V	T _C = 25 C, I _S = -15 A, V _{GS} = 0
t _r Reverse Recovery Time		600		ns	T _J = 100 C, I _F = I _S , d _v /d _s = 100 A/ms

¹ Pulse Test: Pulse Width 300msec, Duty Cycle 2%.

ELECTRICAL CHARACTERISTICS: (T_C = 25°C unless otherwise noted)
 STATIC P/N COM450A

Parameter	Min.	Typ.	Max.	Units	Test Conditions
BV _{DSS} Drain-Source Breakdown Voltage	500			V	V _{GS} = 0, I _D = 250 mA
V _{GS(th)} Gate-Threshold Voltage	2.0		4.0	V	V _{DS} = V _{GS} , I _D = 250 mA
I _{GSSF} Gate-Body Leakage Forward			100	nA	V _{GS} = +20 V
I _{GSSR} Gate-Body Leakage Reverse			-100	nA	V _{GS} = -20 V
I _{SS} Zero Gate Voltage Drain Current		0.1	0.25	m A	V _{DS} = Max. Rat., V _{GS} = 0
		0.2	1.0	m A	V _{DS} = 0.8 Max. Rat., V _{GS} = 0, T _C = 125° C
I _{Q(on)} On-State Drain Current ¹	13			A	V _{DS} = 2 V _{DS(on)} , V _{GS} = 10 V
V _{DS(on)} Static Drain-Source On-State Voltage ¹		2.1	2.94	V	V _{GS} = 10 V, I _D = 7.0 A
R _{DS(on)} Static Drain-Source On-State Resistance ¹		0.3	0.42		V _{GS} = 10 V, I _D = 7.0 A
R _{DS(on)} Static Drain-Source On-State Resistance ¹		0.67	0.89		V _{GS} = 10 V, I _D = 7.0 A, T _C = 125 C

DYNAMIC

g _f Forward Transconductance ¹	6.0			S (M)	V _{DS} = 2 V _{DS(on)} , I _D = 7.0 A
C _{iss} Input Capacitance		2600		pF	V _{GS} = 0
C _{oss} Output Capacitance		280		pF	V _{DS} = 25 V
C _{iss} Reverse Transfer Capacitance		40		pF	f = 1 MHz
t _{d(on)} Turn-On Delay Time		30		ns	V _{DD} = 210 V, I _D @ 7.0 A
t _r Rise Time		46		ns	R _g = 5.0 W, V _{GS} = 10 V
t _{d(off)} Turn-Off Delay Time		75		ns	(MOSFET switching times are essentially independent of operating temperature.)
t _f Fall Time		31		ns	

BODY-DRAIN DIODE RATINGS AND CHARACTERISTICS

I _S Continuous Source Current (Body Diode)			-13	A	Modified MOSPOWER symbol showing the integral P-N Junction rectifier.
I _{SM} Source Current ¹ (Body Diode)			-52	A	
V _{SD} Diode Forward Voltage ¹			-1.4	V	T _C = 25 C, I _S = -13 A, V _{GS} = 0
t _r Reverse Recovery Time		700		ns	T _J = 150 C, I _F = I _S , d _v /d _s = 100 A/ms

¹ Pulse Test: Pulse Width 300msec, Duty Cycle 2%.

