

COP410C/COP411C/COP310C/COP311C Single-Chip CMOS Microcontrollers

General Description

The COP410C, COP411C, COP310C, and COP311C fully static, single-chip CMOS microcontrollers are members of the COPSTM family, fabricated using double-poly, silicogate CMOS technology. These controller-oriented processors are complete microcomputers containing all system timing, internal logic, ROM, RAM, and I/O necessary to implement dedicated control functions in a variety of applications. Features include single supply operation, a variety of output configuration options, with an instruction set, internal architecture, and I/O scheme designed to facilitate keyboard input, display output, and BCD data manipulation. The COP411C is identical to the COP410C but with 16 I/O lines instead of 20. They are an appropriate choice for use in numerous human interface control environments. Standard test procedures and reliable high-density fabrication techniques provide the medium to large volume customers with a customized controller-oriented processor at a low end-product cost.

The COP310C/COP311C is the extended temperature range version of the COP410C/COP411C.

The COP404C should be used for exact emulation.

Features

- Lowest power dissipation (40 μ W typical)
- Low cost
- Power-saving HALT Mode with Continue function
- Powerful instruction set
- 512 x 8 ROM, 32 x 4 RAM
- 20 I/O lines (COP410C)
- Two-level subroutine stack
- DC to 4 μ s instruction time
- Single supply operation (2.4V to 5.5V)
- General purpose and TRI-STATE® outputs
- Internal binary counter register with MICROWIRE™ compatible serial I/O
- LSTTL/CMOS compatible in and out
- Software/hardware compatible with other members of the COP400 family
- Extended temperature (-40°C to +85°C) devices available
- The military temperature range devices (-55°C to +125°C) are specified on COP210C/211C data sheet.

Block Diagram

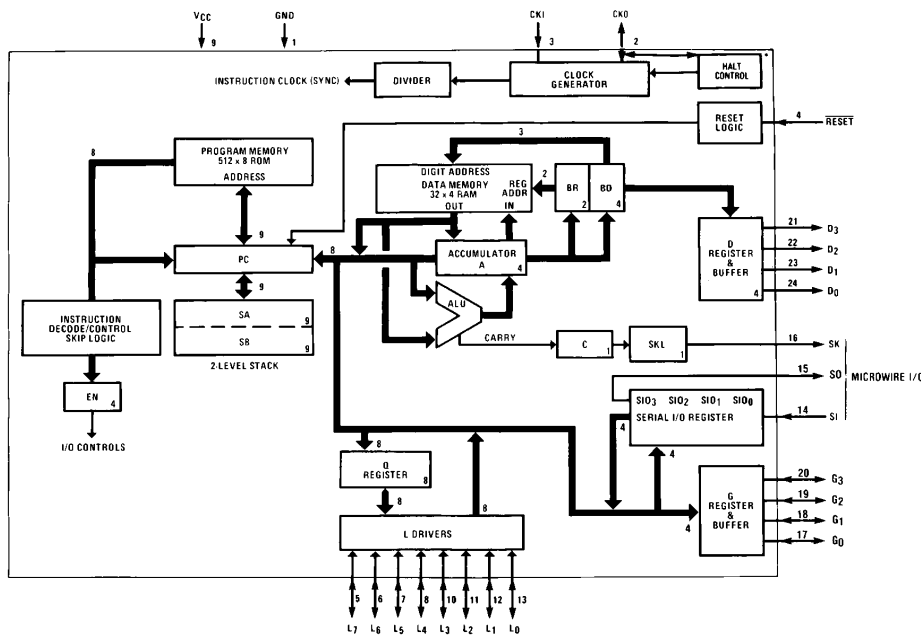


FIGURE 1. COP410C

TL/DD/5015-1

TRI-STATE® is a registered trademark of National Semiconductor Corporation.
COPSTM and MICROWIRE™ are trademarks of National Semiconductor Corporation.

COP410C/COP411C

Absolute Maximum Ratings

If Military/Aerospace specified devices are required, please contact the National Semiconductor Sales Office/Distributors for availability and specifications.

Supply Voltage	6V
Voltage at Any Pin	-0.3V to $V_{CC} + 0.3V$
Total Allowable Source Current	25 mA
Total Allowable Sink Current	25 mA

Operating Temperature Range	0°C to +70°C
Storage Temperature Range	-65°C to +150°C
Lead Temperature (Soldering, 10 sec.)	300°C

Note: Absolute maximum ratings indicate limits beyond which damage to the device may occur. DC and AC electrical specifications are not ensured when operating the device at absolute maximum ratings.

DC Electrical Characteristics $0^{\circ}\text{C} \leq T_A \leq 70^{\circ}\text{C}$ unless otherwise specified

Parameter	Conditions	Min	Max	Units
Operating Voltage		2.4	5.5	V
Power Supply Ripple (Notes 5, 6)			0.1 V_{CC}	V
Supply Current (Note 1)	$V_{CC} = 2.4V, t_c = 125 \mu s$ $V_{CC} = 5.0V, t_c = 16 \mu s$ $V_{CC} = 5.0V, t_c = 4 \mu s$ (t_c is instruction cycle time)		80 500 2000	μA μA μA
HALT Mode Current (Note 2)	$V_{CC} = 5.0V, F_{IN} = 0 \text{ kHz}$ $V_{CC} = 2.4V, F_{IN} = 0 \text{ kHz}$		30 10	μA μA
Input Voltage Levels RESET, CKI Logic High Logic Low All Other Inputs Logic High Logic Low		0.9 V_{CC} 0.7 V_{CC}	0.1 V_{CC} 0.2 V_{CC}	V V V V
Hi-Z Input Leakage		-1	+1	μA
Input Capacitance (Note 6)			7	pF
Output Voltage Levels LSTTL Operation Logic High Logic Low CMOS Operation Logic High Logic Low	Standard Outputs $V_{CC} = 5.0V \pm 10\%$ $I_{OH} = -25 \mu A$ $I_{OL} = 400 \mu A$ CMOS Operation $I_{OH} = -10 \mu A$ $I_{OL} = 10 \mu A$	2.7 $V_{CC} - 0.2$	0.4 0.2	V V V V
Output Current Levels (Note 4) (Except CKO) Sink Source (Standard Option) Source (Low Current Option)	$V_{CC} = 4.5V, V_{OUT} = V_{CC}$ $V_{CC} = 2.4V, V_{OUT} = V_{CC}$ $V_{CC} = 4.5V, V_{OUT} = 0V$ $V_{CC} = 2.4V, V_{OUT} = 0V$ $V_{CC} = 4.5V, V_{OUT} = 0V$ $V_{CC} = 2.4V, V_{OUT} = 0V$	1.2 0.2 -0.5 -0.1 -30 -6	-330 -80	mA mA mA mA μA μA
CKO Current Levels (As Clock Out) Sink Source	$V_{CC} = 4.5V, CKI = V_{CC}, V_{OUT} = V_{CC}$ $V_{CC} = 4.5V, CKI = 0V, V_{OUT} = 0V$	0.3 0.6 1.2 -0.3 -0.6 -1.2		mA mA mA mA mA mA
Allowable Sink/Source Current Per Pin (Note 4)			5	mA

COP410C/COP411C

DC Electrical Characteristics (Continued)

Parameter	Conditions	Min	Max	Units
Allowable Loading on CKO (as HALT I/O pin)			100	pF
Current Needed to Override HALT ³ To Continue	$V_{CC} = 4.5V, V_{IN} = 0.2 V_{CC}$		0.6	mA
To Halt	$V_{CC} = 4.5V, V_{IN} = 0.7 V_{CC}$		1.6	mA
TRI-STATE or Open Drain Leakage Current		-2	+2	μA

Note 1: Supply current is measured after running for 2000 cycle times with a square-wave clock on CKI, CKO open, and all other pins pulled up to V_{CC} with 5k resistors. See current drain equation on page 13.

Note 2: The Halt mode will stop CKI from oscillating in the RC and crystal configurations.

Note 3: When forcing HALT, current is only needed for a short time (approximately 200 ns) to flip the HALT flip-flop.

Note 4: SO output sink current must be limited to keep V_{OL} less than $0.2 V_{CC}$ when part is running in order to prevent entering test mode.

Note 5: Voltage change must be less than 0.5V in a 1 ms period.

Note 6: This parameter is only sampled and not 100% tested.

Note 7: Variation due to the device included.

COP410C/COP411C

AC Electrical Characteristics $0^{\circ}C \leq T_A \leq 70^{\circ}C$ unless otherwise specified

Parameter	Conditions	Min	Max	Units
Instruction Cycle Time (t_c)	$V_{CC} \geq 4.5V$	4	DC	μs
	$4.5V > V_{CC} \geq 2.4V$	16	DC	μs
Operating CKI	} $V_{CC} \geq 4.5V$	DC	1.0	MHz
Frequency $\div 4$ mode		DC	2.0	MHz
$\div 8$ mode		DC	4.0	MHz
$\div 16$ mode	} $4.5V > V_{CC} \geq 2.4V$	DC	250	kHz
$\div 4$ mode		DC	500	kHz
$\div 8$ mode		DC	1.0	MHz
$\div 16$ mode				
Instruction Cycle Time RC Oscillator ⁷	$R = 30k \pm 5\%, V_{CC} = 5V$ $C = 82 pF \pm 5\% (\div 4 Mode)$	8	16	μs
Duty Cycle ⁶	$f_l = 4 MHz$	40	60	%
Rise Time ⁶	$f_l = 4 MHz$ External Clock		60	ns
Fall Time ⁶	$f_l = 4 MHz$ External Clock		40	ns
Inputs (See Figure 3)				
t_{SETUP}	G Inputs } $V_{CC} \geq 4.5V$	$t_c/4 + 0.7$		μs
	SI Input }	0.3		μs
	All Others }	1.7		μs
t_{HOLD}	$V_{CC} \geq 4.5V$	0.25		μs
	$V_{CC} \geq 2.4V$	1.0		μs
Output Propagation Delay				
t_{PD1}, t_{PD0}	$V_{OUT} = 1.5V, C_L = 100 pF, R_L = 5k$ $V_{CC} \leq 4.5V$		1.0	μs
t_{PD1}, t_{PD0}	$V_{CC} \leq 2.4V$		4.0	μs

COP310C/COP311C

Absolute Maximum Ratings

If Military/Aerospace specified devices are required, please contact the National Semiconductor Sales Office/Distributors for availability and specifications.

Supply Voltage	6V
Voltage at Any Pin	-0.3V to $V_{CC} + 0.3V$
Total Allowable Source Current	25 mA
Total Allowable Sink Current	25 mA

Operating Temperature Range	-40°C to +85°C
Storage Temperature Range	-65°C to +150°C
Lead Temperature (Soldering, 10 sec.)	300°C

Note: Absolute maximum ratings indicate limits beyond which damage to the device may occur. DC and AC electrical specifications are not ensured when operating the device at absolute maximum ratings.

DC Electrical Characteristics -40°C ≤ T_A ≤ +85°C unless otherwise specified

Parameter	Conditions	Min	Max	Units
Operating Voltage		3.0	5.5V	V
Power Supply Ripple (Notes 5, 6)			0.1 V _{CC}	V
Supply Current (Note 1)	V _{CC} = 3.0V, t _c = 125 μs V _{CC} = 5.0V, t _c = 16 μs V _{CC} = 5.0V, t _c = 4 μs (t _c is instruction cycle time)		100 600 2500	μA μA μA
HALT Mode Current (Note 2)	V _{CC} = 5.0V, F _{IN} = 0 kHz V _{CC} = 3.0V, F _{IN} = 0 kHz		50 20	μA μA
Input Voltage Levels RESET, CKI Logic High Logic Low All Other Inputs Logic High Logic Low		0.9 V _{CC} 0.7 V _{CC}	0.1 V _{CC} 0.2 V _{CC}	V V V V
Hi-Z Input Leakage		-2	+2	μA
Input Capacitance (Note 6)			7	pF
Output Voltage Levels LSTTL Operation Logic High Logic Low CMOS Operation Logic High Logic Low	Standard Outputs V _{CC} = 5.0V ±10% I _{OH} = -25 μA I _{OL} = 400 μA I _{OH} = -10 μA I _{OL} = 10 μA	2.7 V _{CC} -0.2	0.4 0.2	V V V V
Output Current Levels (Note 4) (Except CKO) Sink Source (Standard Option) Source (Low Current Option)	V _{CC} = 4.5V, V _{OUT} = V _{CC} V _{CC} = 3.0V, V _{OUT} = V _{CC} V _{CC} = 4.5V, V _{OUT} = 0V V _{CC} = 3.0V, V _{OUT} = 0V V _{CC} = 4.5V, V _{OUT} = 0V V _{CC} = 3.0V, V _{OUT} = 0V	1.2 0.2 -0.5 -0.1 -30 -8	-440 -200	mA mA mA μA μA μA
CKO Current Levels (As Clock Out) Sink Source	V _{CC} = 4.5V, CKI = V _{CC} , V _{OUT} = V _{CC} V _{CC} = 4.5V, CKI = 0V, V _{OUT} = 0V	0.3 0.6 1.2 -0.3 -0.6 -1.2		mA mA mA mA mA mA
Allowable Sink/Source Current Per Pin (Note 4)			5	mA

COP310C/COP311C

DC Electrical Characteristics (Continued)

Parameter	Conditions	Min	Max	Units
Allowable Loading on CKO (as HALT I/O pin)			100	pF
Current Needed to Override HALT ³ To Continue To Halt	$V_{CC} = 4.5V, V_{IN} = 0.2 V_{CC}$ $V_{CC} = 4.5V, V_{IN} = 0.7 V_{CC}$		0.8 2.0	mA mA
TRI-STATE or Open Drain Leakage Current		-4	+4	μA

Note 1: Supply current is measured after running for 2000 cycle times with a square-wave clock on CKI, CKO open, and all other pins pulled up to V_{CC} with 5k resistors. See current drain equation on page 13.

Note 2: The Halt mode will stop CKI from oscillating in the RC and crystal configurations.

Note 3: When forcing HALT, current is only needed for a short time (approximately 200 ns) to flip the HALT flip-flop.

Note 4: SO output sink current must be limited to keep V_{OL} less than $0.2 V_{CC}$ when part is running in order to prevent entering test mode.

Note 5: Voltage change must be less than 0.5V in a 1 ms period.

Note 6: This parameter is only sampled and not 100% tested.

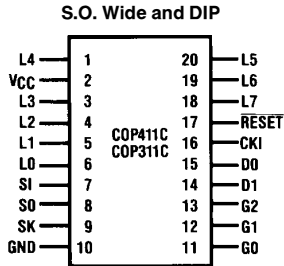
Note 7: Variation due to the device included.

COP310C/COP311C

AC Electrical Characteristics $-40^{\circ}C \leq T_A \leq +85^{\circ}C$ unless otherwise specified

Parameter	Conditions	Min	Max	Units	
Instruction Cycle Time (t_c)	$V_{CC} \geq 4.5V$ $4.5V > V_{CC} \geq 3.0V$	4 16	DC DC	μs μs	
Operating CKI Frequency	$\left. \begin{array}{l} \div 4 \text{ mode} \\ \div 8 \text{ mode} \\ \div 16 \text{ mode} \end{array} \right\} V_{CC} \geq 4.5V$ $\left. \begin{array}{l} \div 4 \text{ mode} \\ \div 8 \text{ mode} \\ \div 16 \text{ mode} \end{array} \right\} 4.5V > V_{CC} \geq 3.0V$	DC DC DC	1.0 2.0 4.0	MHz MHz MHz	
Instruction Cycle Time RC Oscillator ⁷		R = $30k \pm 5\%$, $V_{CC} = 5V$ C = $82 \text{ pF} \pm 5\%$ ($\div 4$ Mode)	8	16	μs
Duty Cycle ⁶		$f_l = 4 \text{ MHz}$	40	60	%
Rise Time ⁶		$f_l = 4 \text{ MHz External Clock}$		60	ns
Fall Time ⁶		$f_l = 4 \text{ MHz External Clock}$		40	ns
Inputs (See Figure 3)		$\left. \begin{array}{l} \text{G Inputs} \\ \text{SI Input} \\ \text{All Others} \end{array} \right\} V_{CC} \geq 4.5V$ $V_{CC} \geq 4.5V$ $V_{CC} \geq 3.0V$	$t_c/4 + 0.7$		μs
t_{SETUP}	0.3			μs	
t_{HOLD}	1.7			μs	
Output Propagation Delay	$V_{OUT} = 1.5V, C_L = 100 \text{ pF}, R_L = 5k$ $V_{CC} \leq 4.5V$ $V_{CC} \leq 3.0V$			1.0 4.0	μs μs

Connection Diagrams



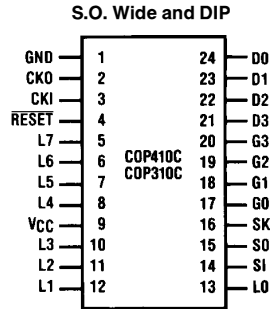
Top View

TL/DD/5015-2

Order Number COP311C-XXX/D or COP411C-XXX/D
See NS Hermetic Package Number D20A
(Prototype Package Only)

Order Number COP311C-XXX/N or COP411C-XXX/N
See NS Molded Package Number N20A

Order Number COP311C-XXX/WM or
COP411C-XXX/WM
See NS Surface Mount Package Number M20B



Top View

TL/DD/5015-3

Order Number COP310C-XXX/D or COP410C-XXX/D
See NS Hermetic Package Number D24C
(Prototype Package Only)

Order Number COP310C-XXX/N or COP410C-XXX/N
See NS Molded Package Number N24A

Order Number COP310C-XXX/WM or
COP410C-XXX/WM
See NS Surface Mount Package Number M24B

FIGURE 2

Pin Descriptions

Pin	Description	Pin	Description
L ₇ -L ₀	8-bit bidirectional I/O port with TRI-STATE	SK	Logic-controlled clock (or general purpose output)
G ₃ -G ₀	4-bit bidirectional I/O port (G ₂ -G ₀ for 20-pin package)	CKI	System oscillator input
D ₃ -D ₀	4-bit general purpose output port (D ₁ -D ₀ for 20-pin package)	CKO	Crystal oscillator output, or HALT mode I/O port (24-pin package only)
SI	Serial input (or counter input)	RESET	System reset input
SO	Serial output (or general purpose output)	V _{CC}	System power supply
		GND	System Ground

Timing Diagram

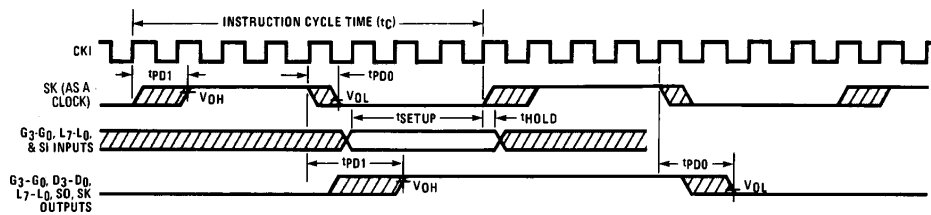


FIGURE 3. Input/Output (Divide-by-8 Mode)

TL/DD/5015-4

Functional Description

To ease reading of this description, only COP410C and/or COP411C are referenced; however, all such references apply equally to COP310C and/or COP311C, respectively.

A block diagram of the COP410C is given in *Figure 1*. Data paths are illustrated in simplified form to depict how the various logic elements communicate with each other in implementing the instruction set of the device. Positive logic is used. When a bit is set, it is a logic "1"; when a bit is reset, it is a logic "0".

PROGRAM MEMORY

Program memory consists of a 512-byte ROM. As can be seen by an examination of the COP410C/411C instruction set, these words may be program instructions, program data, or ROM addressing data. Because of the special characteristics associated with the JP, JSRP, JID, and LQID instructions, ROM must often be thought of as being organized into 8 pages of 64 words (bytes) each.

ROM ADDRESSING

ROM addressing is accomplished by a 9-bit PC register. Its binary value selects one of the 512 8-bit words contained in ROM. A new address is loaded into the PC register during each instruction cycle. Unless the instruction is a transfer of control instruction, the PC register is loaded with the next sequential 9-bit binary count value. Two levels of subroutine nesting are implemented by two 9-bit subroutine save registers, SA and SB.

ROM instruction words are fetched, decoded, and executed by the instruction decode, control and skip logic circuitry.

DATA MEMORY

Data Memory consists of a 128-bit RAM, organized as four data registers of 8×4 -bit digits. RAM addressing is implemented by a 6-bit B register whose upper two bits (Br) selects one of four data registers and lower three bits of the 4-bit Bd select one of eight 4-bit digits in the selected data register. While the 4-bit contents of the selected RAM digit (M) are usually loaded into or from, or exchanged with, the A register (accumulator), they may also be loaded into the Q latches or loaded from the L ports. RAM addressing may also be performed directly by the XAD 3, 15 instruction. The Bd register also serves as a source register for 4-bit data sent directly to the D outputs.

The most significant bit of Bd is not used to select a RAM digit. Hence, each physical digit of RAM may be selected by two different values of Bd as shown in *Figure 4*. The skip condition for XIS and XDS instructions will be true if Bd changes between 0 to 15, but *not* between 7 and 8 (see Table III).

INTERNAL LOGIC

The internal logic of the COP410C/411C is designed to ensure fully static operation of the device.

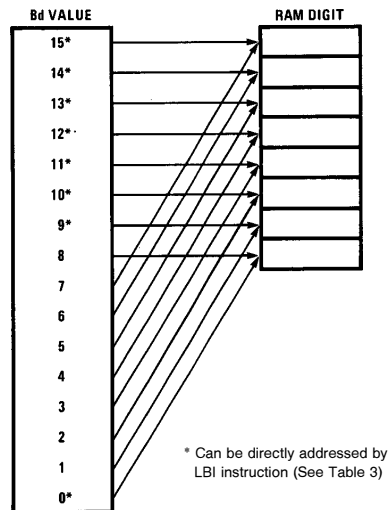
The 4-bit A register (accumulator) is the source and destination register for most I/O, arithmetic, logic and data memory access operations. It can also be used to load the Bd portion of the B register, to load four bits of the 8-bit Q latch data and to perform data exchanges with the SIO register.

The 4-bit adder performs the arithmetic and logic functions of the COP410C/411C, storing its results in A. It also outputs the carry information to a 1-bit carry register, most often employed to indicate arithmetic overflow. The C register, in conjunction with the XAS instruction and the EN register, also serves to control the SK output. C can be outputted directly to SK or can enable SK to be a sync clock each instruction cycle time. (See XAS instruction and EN register description below.)

The G register contents are outputs to four general purpose bidirectional I/O ports.

The Q register is an internal, latched, 8-bit register, used to hold data loaded from RAM and A, as well as 8-bit data from ROM. Its contents are output to the L I/O ports when the L drivers are enabled under program control. (See LEI instruction.)

The eight L drivers, when enabled, output the contents of latched Q data to the L I/O ports. Also, the contents of L may be read directly into A and RAM.



TL/DD/5015-5

FIGURE 4. RAM Digit Address to Physical RAM Digit Mapping

Functional Description (Continued)

The SIO register functions as a 4-bit serial-in/serial-out shift register or as a binary counter, depending upon the contents of the EN register. (See EN register description below.) Its contents can be exchanged with A, allowing it to input or output a continuous serial data stream. With SIO functioning as a serial-in/serial-out shift register and SK as a sync clock, the COP410C/411C is MICROWIRE compatible.

The D register provides four general purpose outputs and is used as the destination register for the 4-bit contents of Bd.

The XAS instruction copies C into the SKL latch. In the counter mode, SK is the output of SKL; in the shift register mode, SK is a sync clock, inhibited when SKL is a logic "0".

The EN register is an internal 4-bit register loaded under program control by the LEI instruction. The state of each bit of this register selects or deselects the particular feature associated with each bit of the EN register (EN3–EN0).

1. The least significant bit of the enable register, EN0, selects the SIO register as either a 4-bit shift register or as a 4-bit binary counter. With EN0 set, SIO is an asynchronous binary counter, *decrementing* its value by one upon each low-going pulse ("1" to "0") occurring on the SI input. Each pulse must be at least two instruction cycles wide. SK outputs the value of SKL. The SO output is equal to the value of EN3. With EN0 reset, SIO is a serial shift register, shifting left each instruction cycle time. The data present at SI is shifted into the least significant bit of SIO. SO can be enabled to output the most significant bit of SIO each instruction cycle time. (See 4, below.) The SK output becomes a logic-controlled clock.
2. EN 1 is not used, it has no effect on the COP410C/411C.
3. With EN2 set, the L drivers are enabled to output the data in Q to the L I/O ports. Resetting EN2 disables the L drivers, placing the L I/O ports in a high impedance input state.
4. EN3, in conjunction with EN0, affects the SO output. With EN0 set (binary counter option selected), SO will output the value loaded into EN3. With EN0 reset (serial shift register option selected), setting EN3 enables SO as the output of the SIO shift register, outputting serial shifted data each instruction time. Resetting EN3 with the serial shift register option selected, disables SO as the shift register output; data continues to be shifted through SIO and can be exchanged with A via an XAS instruction but SO remains reset to "0".

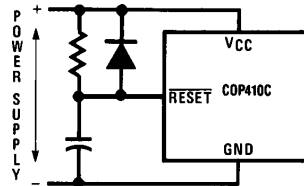
INITIALIZATION

The internal reset logic will initialize the device upon power-up if the power supply rise time is less than 1 ms and if the operating frequency at CKI is greater than 32 kHz, otherwise the external RC network shown in *Figure 5* must be connected to the RESET pin. The RESET pin is configured as a Schmitt trigger input. If not used, it should be connected to V_{CC}. Initialization will occur whenever a logic "0" is applied to the RESET input, providing it stays low for at least three instruction cycle times.

When V_{CC} power is applied, the internal reset logic will keep the chip in initialization mode for up to 2500 instruction cycles. If the CKI clock is running at a low frequency, this could take a long time, therefore, the internal logic should be disabled by a mask option with initialization controlled solely by RESET pin.

Note: If CKI clock is less than 32 kHz, the internal reset logic (Option 25 = 1) must be disabled and the external RC network must be present.

Upon initialization, the PC register is cleared to 0 (ROM address 0) and the A, B, C, D, EN, and G registers are cleared. The SK output is enabled as a SYNC output, providing a pulse each instruction cycle time. Data memory (RAM) is not cleared upon initialization. The first instruction at address 0 must be a CLRA (clear A register).



TL/DD/5015-6

$$RC > 5 \times \text{Power Supply Rise Time} \\ \text{and } RC > 100 \times \text{CKI Period}$$

FIGURE 5. Power-Up Clear Circuit

COP411C

If the COP410C is bonded as a 20-pin package, it becomes the COP411C, illustrated in *Figure 2*, COP410C/411C Connection Diagrams. Note that the COP411C does not contain D2, D3, G3, or CKO. Use of this option, of course, precludes use of D2, D3, G3, and CKO options. All other options are available for the COP411C.

TABLE I. Enable Register Modes — Bits EN0 and EN3

EN0	EN3	SIO	SI	SO	SK
0	0	Shift Register	Input to Shift Register	0	If SKL = 1, SK = clock If SKL = 0, SK = 0
0	1	Shift Register	Input to Shift Register	Serial out	If SKL = 1, SK = clock If SKL = 0, SK = 0
1	0	Binary Counter	Input to Counter	0	SK = SKL
1	1	Binary Counter	Input to Counter	1	SK = SKL

Functional Description (Continued)

HALT MODE

The COP410C/411C is a *fully static* circuit; therefore, the user may stop the system oscillator at any time to halt the chip. The chip also may be halted by the HALT instruction or by forcing CKO high when it is used as a HALT I/O port. Once in the HALT mode, the internal circuitry does not receive any clock signal, and is therefore frozen in the exact state it was in when halted. All information is retained until continuing. The HALT mode is the minimum power dissipation state.

The HALT mode has slight differences depending upon the type of oscillator used.

a. 1-pin oscillator—RC or external

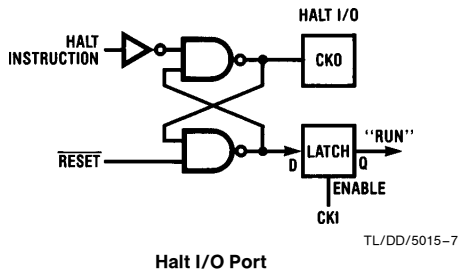
The HALT mode may be entered into by either program control (HALT instruction) or by forcing CKO to a logic "1" state.

The circuit may be awakened by one of two different methods:

- 1) Continue function. By forcing CKO to a logic "0", the system clock is re-enabled and the circuit continues to operate from the point where it was stopped.
- 2) Restart. Forcing the RESET pin to a logic "0" will restart the chip regardless of HALT or CKO (see initialization).

b. 2-pin oscillator—crystal

The HALT mode may be entered into by program control (HALT instruction) which forces CKO to a logic "1" state. The circuit can be awakened only by the RESET function.



CKO Pin Options

In a crystal-controlled oscillator system, CKO is used as an output to the crystal network. CKO will be forced high during the execution of a HALT instruction, thus inhibiting the crystal network. If a 1-pin oscillator system is chosen (RC or external), CKO will be selected as HALT and is an I/O

flip-flop which is an indicator of the HALT status. An external signal can override this pin to start and stop the chip. By forcing a high level to CKO, the chip will stop as soon as CKI is high and the CKO output will go high to keep the chip stopped. By forcing a low level to CKO, the chip will continue and CKO output will go low.

All features associated with the CKO I/O pin are available with the 24-pin package only.

OSCILLATOR OPTIONS

There are three options available that define the use of CKI and CKO.

- a. Crystal-Controlled Oscillator. CKI and CKO are connected to an external crystal. The instruction cycle time equals the crystal frequency divided by 16 (optionally by 8 or 4).
- b. External Oscillator. CKI is configured as LSTTL-compatible input accepting an external clock signal. The external frequency is divided by 16 (optionally by 8 or 4) to give the instruction cycle time. CKO is the HALT I/O port.
- c. RC-Controlled Oscillator. CKI is configured as a single pin RC-controlled Schmitt trigger oscillator. The instruction cycle equals the oscillation frequency divided by 4. CKO is the HALT I/O port.

The RC oscillator is not recommended in systems that require accurate timing or low current. The RC oscillator draws more current than an external oscillator (typically an additional 100 μ A at 5V). However, when the part halts, it stops with CKI high and the halt current is at the minimum.

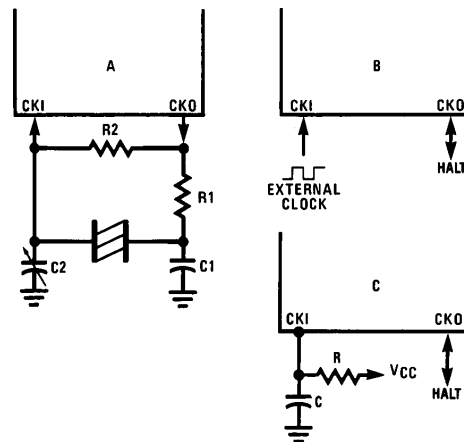


FIGURE 6. COP410C Oscillator

Crystal or Resonator					RC-Controlled Oscillator			
Crystal Value	R1	R2	C1 pF	C2 pF	R	C	Cycle Time	V _{CC}
32 kHz	220k	20M	30	5-36	15k	82 pF	4-9 μ s	$\geq 4.5V$
455 kHz	5k	10M	80	40	30k	82 pF	8-16 μ s	$\geq 4.5V$
2.096 MHz	2k	1M	30	6-36	47k	100 pF	16-32 μ s	2.4 to 4.5
4.0 MHz	1k	1M	30	6-36	Note: $15k \leq R \leq 150k$, $50 \text{ pf} \leq C \leq 150 \text{ pF}$			

COP410C/COP411C Instruction Set

Table II is a symbol table providing internal architecture, instruction operand and operational symbols used in the instruction set table.

Table III provides the mnemonic, operand, machine code, data flow, skip conditions and description associated with each instruction in the COP410C/411C instruction set.

TABLE II. COP410C/411C Instruction Set Table Symbols

Symbol	Definition	Symbol	Definition
INTERNAL ARCHITECTURE SYMBOLS		INSTRUCTION OPERAND SYMBOLS	
A	4-bit Accumulator	d	4-bit Operand Field, 0-15 binary (RAM Digit Select)
B	6-bit RAM Address Register	r	2-bit Operand Field, 0-3 binary (RAM Register Select)
Br	Upper 2 bits of B (register address)	a	9-bit Operand Field, 0-511 binary (ROM Address)
Bd	Lower 4 bits of B (digit address)	y	4-bit Operand Field, 0-15 binary (Immediate Data)
C	1-bit Carry Register	RAM(s)	Contents of RAM location addressed by s
D	4-bit Data Output Port	ROM(t)	Contents of ROM location addressed by t
EN	4-bit Enable Register	OPERATIONAL SYMBOLS	
G	4-bit Register to latch data for G I/O Port	+	Plus
L	8-bit TRI-STATE I/O Port	-	Minus
M	4-bit contents of RAM Memory pointed to by B Register	→	Replaces
PC	9-bit ROM Address Register (program counter)	↔	Is exchanged with
Q	8-bit Register to latch data for L I/O Port	=	Is equal to
SA	9-bit Subroutine Save Register A	\bar{A}	The one's complement of A
SB	9-bit Subroutine Save Register B	⊕	Exclusive-OR
SIO	4-bit Shift Register and Counter	:	Range of values
SK	Logic-Controlled Clock Output		

TABLE III. COP410C/411C Instruction Set

Mnemonic	Operand	Hex Code	Machine Language Code (Binary)	Data Flow	Skip Conditions	Description
ARITHMETIC INSTRUCTIONS						
ASC		30	0011 0000	$A + C + \text{RAM}(B) \rightarrow A$ Carry $\rightarrow C$	Carry	Add with Carry, Skip on Carry
ADD		31	0011 0001	$A + \text{RAM}(B) \rightarrow A$	None	Add RAM to A
AISC	y	5-	0101 y	$A + y \rightarrow A$	Carry	Add immediate, Skip on Carry ($y \neq 0$)
CLRA		00	0000 0000	$0 \rightarrow A$	None	Clear A
COMP		40	0100 0000	$\bar{A} \rightarrow A$	None	One's complement of A to A
NOP		44	0100 0100	None	None	No Operation
RC		32	0011 0010	"0" $\rightarrow C$	None	Reset C
SC		22	0010 0010	"1" $\rightarrow C$	None	Set C
XOR		02	0000 0010	$A \oplus \text{RAM}(B) \rightarrow A$	None	Exclusive-OR RAM with A

Instruction Set (Continued)

TABLE III. COP410C/411C Instruction Set (Continued)

Mnemonic	Operand	Hex Code	Machine Language Code (Binary)	Data Flow	Skip Conditions	Description
TRANSFER OF CONTROL INSTRUCTIONS						
JID		FF	1111 1111	ROM (PC ₈ , A,M) → PC _{7:0}	None	Jump Indirect (Note 2)
JMP	a	6– –	0110 000 a ₈ a _{7:0}	a → PC	None	Jump
JP	a	–	1 a _{6:0} (pages 2,3 only) or	a → PC _{6:0}	None	Jump within Page (Note 1)
			11 a _{5:0} (all other pages)	a → PC _{5:0}		
JSRP	a	–	10 a _{5:0}	PC + 1 → SA → SB 010 → PC _{8:6} a → PC _{5:0}	None	Jump to Subroutine Page (Note 2)
JSR	a	6– –	0110 100 a ₈ a _{7:0}	PC + 1 → SA → SB a → PC	None	Jump to Subroutine
RET		48	0100 1000	SB → SA → PC	None	Return from Subroutine
RETSK		49	0100 10011	SB → SA → PC	Always Skip on Return	Return from Subroutine then Skip
HALT		33	0011 0011		None	Halt processor
		38	0011 1000			
MEMORY REFERENCE INSTRUCTIONS						
CAMQ		33	0011 0011	A → Q _{7:4}	None	Copy A, RAM to Q
		3C	0011 1100	RAM(B) → Q _{3:0}		
CQMA		33	0011 0011	Q _{7:4} → RAM(B)	None	Copy Q to RAM, A
		2C	0010 1100	Q _{3:0} → A		
LD	r	–5	00 r 0101	RAM(B) → A Br ⊕ r → Br	None	Load RAM into A Exclusive-OR Br with r
LQID		BF	1011 1111	ROM(PC ₈ ,A,M) → Q SA → SB	None	Load Q Indirect
RMB	0 1 2 3	4C	0100 1100	0 → RAM(B) ₀	None	Reset RAM Bit
		45	0100 0101	0 → RAM(B) ₁		
		42	0100 0010	0 → RAM(B) ₂		
		43	0100 0011	0 → RAM(B) ₃		
SMB	0 1 2 3	4D	0100 1101	1 → RAM(B) ₀	None	Set RAM Bit
		47	0100 0111	1 → RAM(B) ₁		
		46	0100 0110	1 → RAM(B) ₂		
		4B	0100 1011	1 → RAM(B) ₃		
STII	y	7–	0111 y	y → RAM(B) Bd + 1 → Bd	None	Store Memory Immediate and Increment Bd
X	r	–6	00 r 0110	RAM(B) ↔ A Br ⊕ r → Br	None	Exchange RAM with A, Exclusive-OR Br with r
XAD	3,15	23 BF	0010 0011 1011 1111	RAM(3,15) ↔ A	None	Exchange A with RAM (3,15)

Instruction Set (Continued)

TABLE III. COP410C/411C Instruction Set (Continued)

Mnemonic	Operand	Hex Code	Machine Language Code (Binary)	Data Flow	Skip Conditions	Description
MEMORY REFERENCE INSTRUCTIONS (Continued)						
XDS	r	-7	00 r 0111	RAM(B) \leftrightarrow A Bd - 1 \rightarrow Bd Br @ r \rightarrow Br	Bd decrements past 0	Exchange RAM with A and Decrement Bd Exclusive-OR Br with r
XIS	r	-4	00 r 0100	RAM(B) \leftrightarrow A Bd + 1 \rightarrow Bd Br @ r \rightarrow Br	Bd increments past 15	Exchange RAM with A and Increment Bd Exclusive-OR Br with r
REGISTER REFERENCE INSTRUCTIONS						
CAB		50	0101 0000	A \rightarrow Bd	None	Copy A to Bd
CBA		4E	0100 1110	Bd \rightarrow A	None	Copy Bd to A
LBI	r,d	-	00 r (d-1) (d = 0,9:15)	r,d \rightarrow B	Skip until not a LBI	Load B Immediate with r,d
LEI	y	33 6-	0011 0011 0010 y	y \rightarrow EN	None	Load EN Immediate
TEST INSTRUCTIONS						
SKC		20	0010 0000		C = "1"	Skip if C is True
SKE		21	0010 0001		A = RAM(B)	Skip if A Equals RAM
SKGZ		33 21	0011 0011 0010 0001		G _{3:0} = 0	Skip if G is Zero (all 4 bits)
SKGBZ		33	0011 0011	1st byte	G ₀ = 0 G ₁ = 0 G ₂ = 0 G ₃ = 0	Skip if G Bit is Zero
	0	01	0000 0001			
	1	11	0001 0001			
	2	03	0000 0011			
	3	13	0010 0011			
SKMBZ		0	0000 0001	2nd byte	RAM(B) ₀ = 0 RAM(B) ₁ = 0 RAM(B) ₂ = 0 RAM(B) ₃ = 0	Skip if RAM Bit is Zero
	1	11	0001 0001			
	2	03	0000 0011			
	3	13	0001 0011			
INPUT/OUTPUT INSTRUCTIONS						
ING		33 2A	0011 0011 0010 1010	G \rightarrow A	None	Input G Ports to A
INL		33 2E	0011 0011 0010 1110	L _{7:4} \rightarrow RAM(B) L _{3:0} \rightarrow A	None	Input L Ports to RAM, A
OBD		33 3E	0011 0011 0011 1110	Bd \rightarrow D	None	Output Bd to D Outputs
OMG		33 3A	0011 0011 0011 1010	RAM(B) \rightarrow G	None	Output RAM to G Ports
XAS		4F	0100 1111	A \leftrightarrow SIO, C \rightarrow SKL	None	Exchange A with SIO
<p>Note 1: The JP instruction allows a jump, while in subroutine pages 2 or 3, to any ROM location within the two-page boundary of pages 2 or 3. The JP instruction, otherwise, permits a jump to a ROM location within the current 64-word page. JP may not jump to the last word of a page.</p> <p>Note 2: A JSRP transfers program control to subroutine page 2 (0010 is loaded into the upper 4 bits of P). A JSRP may not be used when in pages 2 or 3. JSRP may not jump to the last word in page 2.</p>						

Description of Selected Instructions

The following information is provided to assist the user in understanding the operation of several unique instructions and to provide notes useful to programmers in writing COP410C/411C programs.

XAS INSTRUCTION

XAS (Exchange A with SIO) exchanges the 4-bit contents of the accumulator with the 4-bit contents of the SIO register. The contents of SIO will contain serial-in/serial-out shift register or binary counter data, depending on the value of the EN register. An XAS instruction will also affect the SK output. (See Functional Description, EN Register). If SIO is selected as a shift register, an XAS instruction must be performed once every four instruction cycle times to effect a continuous data stream.

JID INSTRUCTION

JID (Jump Indirect) is an indirect addressing instruction, transferring program control to a new ROM location pointed to indirectly by A and M. It loads the lower eight bits of the ROM address register PC with the contents of ROM addressed by the 9-bit word, PC₈, A, M. PC₈ is not affected by this instruction.

Note: JID uses two instruction cycles if executed, one if skipped.

LQID INSTRUCTION

LQID (Load Q Indirect) loads the 8-bit Q register with the contents of ROM pointed to by the 9-bit word PC₈, A, M. LQID can be used for table look-up or code conversion such as BCD to 7-segment. The LQID instruction "pushes" the stack (PC + 1 → SA → SB) and replaces the least significant eight bits of the PC as follows: A → PC_{7:4}, RAM(B) → PC_{3:0}, leaving PC₈ unchanged. The ROM data pointed to by the new address is fetched and loaded into the Q latches. Next, the stack is "popped" (SB → SA → PC), restoring the saved value of the PC to continue sequential program execution. Since LQID pushes SA → SB, the previous contents of SB are lost.

Note: LQID uses two instruction cycles if executed, one if skipped.

INSTRUCTION SET NOTES

- The first word of a COP410C/411C program (ROM address 0) must be a CLRA (Clear A) instruction.
- Although skipped instructions are not executed, one instruction cycle time is devoted to skipping each byte of the skipped instruction. Thus all program paths take the same number of cycle times whether instructions are skipped or executed (except JID and LQID).
- The ROM is organized into eight pages of 64 words each. The program counter is a 9-bit binary counter, and will count through page boundaries. If a JP, JSRP, JID, or LQID instruction is located in the last word of a page, the instruction operates as if it were in the next page. For example: A JP located in the last word of a page will jump to a location in the next page. Also, a LQID or JID located in the last word in page 3 or 7 will access data in the next group of four pages.

POWER DISSIPATION

The lowest power drain is when the clock is stopped. As the frequency increases so does current. Current is also lower at lower operating voltages. Therefore, to minimize power consumption, the user should run at the lowest speed and voltage that his application will allow. The user should take care that all pins swing to full supply levels to ensure that outputs are not loaded down and that inputs are not at some intermediate level which may draw current. Any input with a slow rise or fall time will draw additional current. A crystal- or resonator-generated clock will draw additional current. An RC oscillator will draw even more current since the input is a slow rising signal.

If using an external squarewave oscillator, the following equation can be used to calculate the COP410C current drain.

$$I_c = I_q + (V \times 20 \times F_i) + (V \times 1280 \times F_i/D_v)$$

where I_c = chip current drain in microamps

I_q = quiescent leakage current (from curve)

F_i = CKI frequency in megahertz

V = chip V_{CC} in volts

D_v = divide by option selected

For example, at 5V V_{CC} and 400 kHz (divide by 4),

$$I_c = 10 + (5 \times 20 \times 0.4) + (5 \times 1280 \times 0.4/4)$$

$$I_c = 10 + 40 + 640 = 690 \mu A$$

I/O OPTIONS

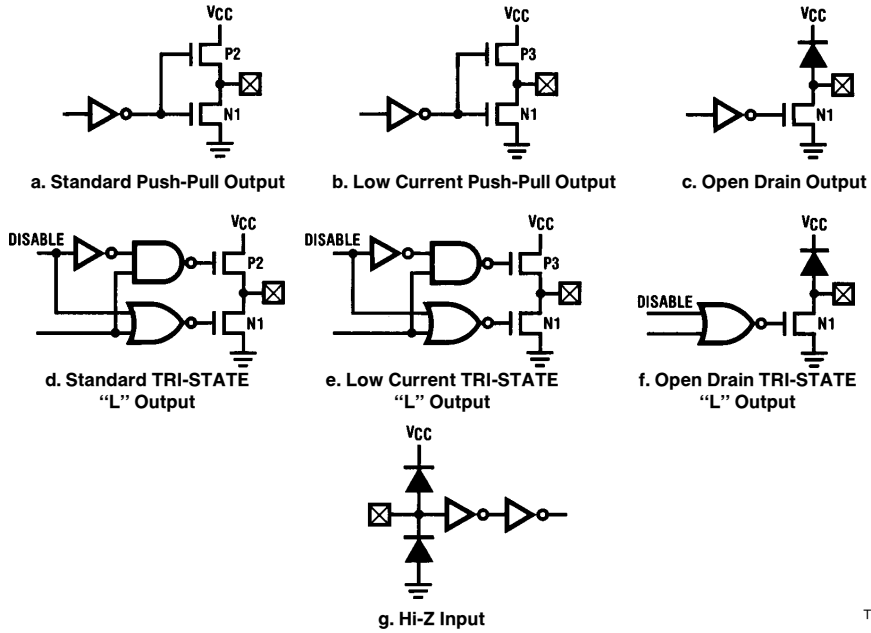
COP410C/411C outputs have the following optional configurations, illustrated in *Figure 7*:

- Standard. A CMOS push-pull buffer with an N-channel device to ground in conjunction with a P-channel device to V_{CC} , compatible with CMOS and LSTTL.
- Low Current. This is the same configuration as (a) above except that the sourcing current is much less.
- Open Drain. An N-channel device to ground only, allowing external pull-up as required by the user's application.
- Standard TRI-STATE L Output. A CMOS output buffer similar to (a) which may be disabled by program control.
- Low-Current TRI-STATE L Output. This is the same as (d) above except that the sourcing current is much less.
- Open-Drain TRI-STATE L Output. This has the N-channel device to ground only.

The SI and \overline{RESET} inputs are Hi-Z inputs (*Figure 7g*).

When using either the G or L I/O ports as inputs, a pull-up device is necessary. This can be an external device or the following alternative is available: Select the low-current output option. Now, by setting the output registers to a logic "1" level, the P-channel devices will act as the pull-up load. Note that when using the L ports in this fashion, the Q registers must be set to a logic "1" level and the L drivers *must be enabled* by an LEI instruction.

Functional Description (Continued)



TL/DD/5015-9

FIGURE 7. I/O Configurations

Typical Performance Characteristics

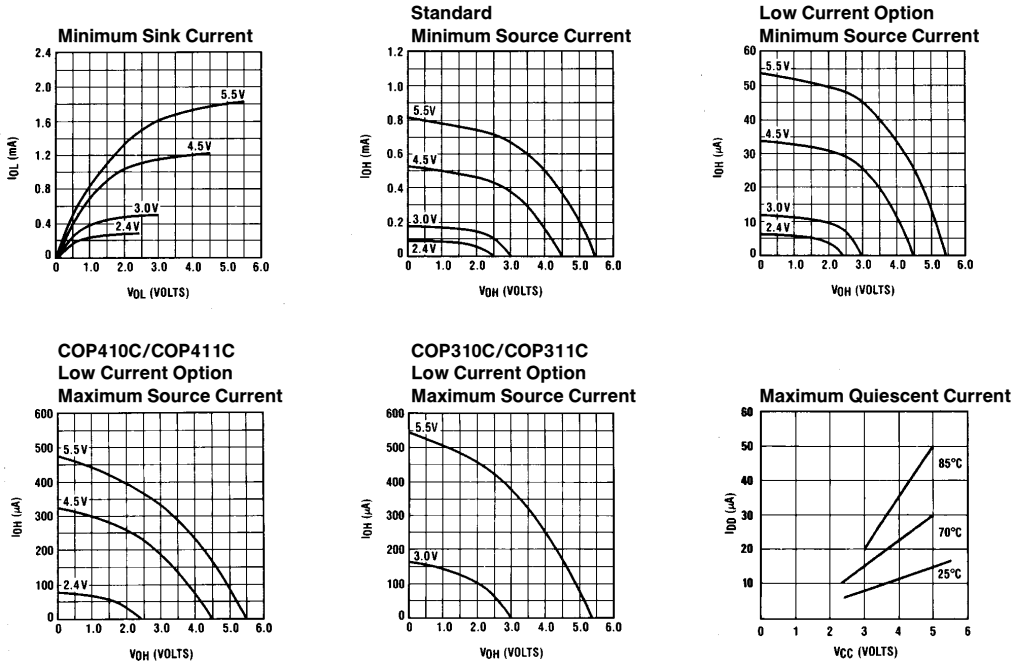


FIGURE 8

TL/DD/5015-10

All output drivers uses one or more of three common devices numbered 1 to 3. Minimum and maximum current (I_{OUT} and V_{OUT}) curves are given in *Figure 8* for each of these devices to allow the designer to effectively use these I/O configurations.

Option List

The COP410C/411C mask-programmable options are assigned numbers which correspond with the COP410C pins. The following is a list of COP410C options. When specifying a COP411 chip, options 20, 21, and 22 must be set to 0. The options are programmed at the same time as the ROM pattern to provide the user with the hardware flexibility to interface to various I/O components using little or no external circuitry.

- Option 1: 0 = Ground Pin. No options available.
- Option 2: CKO I/O Port. (Determined by Option 3.)
= 0: No option.
 a. is crystal oscillator output for two pin oscillator.
 b. is HALT I/O for one pin oscillator.)
- Option 3: CKI Input.
= 0: Crystal-controlled oscillator input ($\div 4$).
= 1: Single-pin RC-controlled oscillator ($\div 4$).
= 2: External oscillator input ($\div 4$).
= 3: Crystal oscillator input ($\div 8$).
= 4: External oscillator input ($\div 8$).
= 5: Crystal oscillator input ($\div 16$).
= 6: External oscillator input ($\div 16$).
- Option 4: $\overline{\text{RESET}}$ Input = 1: Hi-Z input. No option available.
- Option 5: L₇ Driver
= 0: Standard TRI-STATE push-pull output.
= 1: Low-current TRI-STATE push-pull output.
= 2: Open-drain TRI-STATE output.

- Option 6: L₆ Driver. (Same as Option 5.)
- Option 7: L₅ Driver. (Same as Option 5.)
- Option 8: L₄ Driver. (Same as Option 5.)
- Option 9: V_{CC} Pin = 0 no option.
- Option 10: L₃ Driver. (Same as Option 5.)
- Option 11: L₂ Driver. (Same as Option 5.)
- Option 12: L₁ Driver. (Same as Option 5.)
- Option 13: L₀ Driver. (Same as Option 5.)
- Option 14: SI Input.
No option available.
= 1: Hi-Z input.
- Option 15: SO Output.
= 0: Standard push-pull output.
= 1: Low-current push-pull output.
= 2: Open-drain output.
- Option 16: SK Driver. (Same as Option 15.)
- Option 17: G₀ I/O Port. (Same as Option 15.)
- Option 18: G₁ I/O Port. (Same as Option 15.)
- Option 19: G₂ I/O Port. (Same as Option 15.)
- Option 20: G₃ I/O Port. (Same as Option 15.)
- Option 21: D₃ Output. (Same as Option 15.)
- Option 22: D₂ Output. (Same as Option 15.)
- Option 23: D₁ Output. (Same as Option 15.)
- Option 24: D₀ Output. (Same as Option 15.)
- Option 25: Internal Initialization Logic.
= 0: Normal operation.
= 1: No internal initialization logic.
- Option 26: No option available.
- Option 27: COP Bonding
= 0: COP410C (24-pin device).
= 1: COP411C (20-pin device). See note.
= 2: COP410C and COP411C. See note.

Note: If opt. #27 = 1 or 2 then opt #20 must = 0.

Option Table

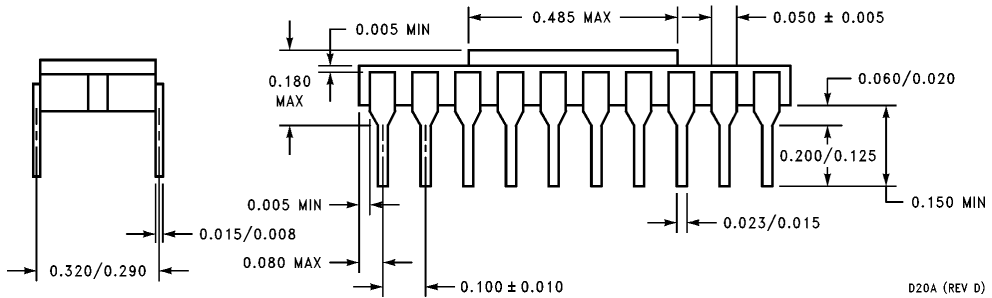
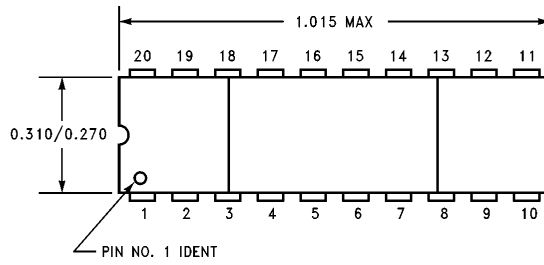
Please fill out a photocopy of the option table and send it along with your EPROM.

Option Table

Option 1 Value = <u>0</u>	is: Ground Pin	Option 15 Value = _____	is: SO Output
Option 2 Value = <u>0</u>	is: CKO Pin	Option 16 Value = _____	is: SK Driver
Option 3 Value = _____	is: CKI Input	Option 17 Value = _____	is: G ₀ I/O Port
Option 4 Value = <u>1</u>	is: $\overline{\text{RESET}}$ Input	Option 18 Value = _____	is: G ₁ I/O Port
Option 5 Value = _____	is: L ₇ Driver	Option 19 Value = _____	is: G ₂ I/O Port
Option 6 Value = _____	is: L ₆ Driver	Option 20 Value = _____	is: G ₃ I/O Port
Option 7 Value = _____	is: L ₅ Driver	Option 21 Value = _____	is: D ₃ Output
Option 8 Value = _____	is: L ₄ Driver	Option 22 Value = _____	is: D ₂ Output
Option 9 Value = <u>0</u>	is: V _{CC} Pin	Option 23 Value = _____	is: D ₁ Output
Option 10 Value = _____	is: L ₃ Driver	Option 24 Value = _____	is: D ₀ Output
Option 11 Value = _____	is: L ₂ Driver	Option 25 Value = _____	is: Internal Initialization Logic
Option 12 Value = _____	is: L ₁ Driver	Option 26 Value = <u>0</u>	is: N/A
Option 13 Value = _____	is: L ₀ Driver	Option 27 Value = _____	is: COP Bonding
Option 14 Value = <u>1</u>	is: SI Input		

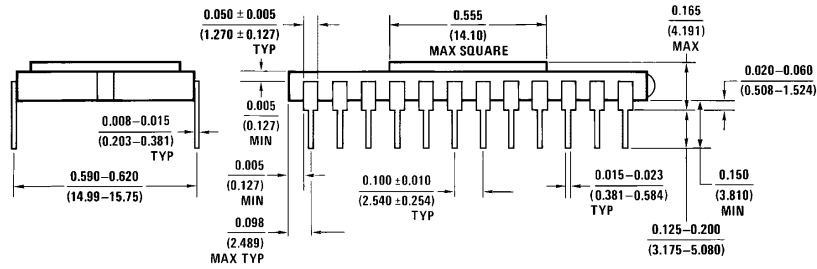
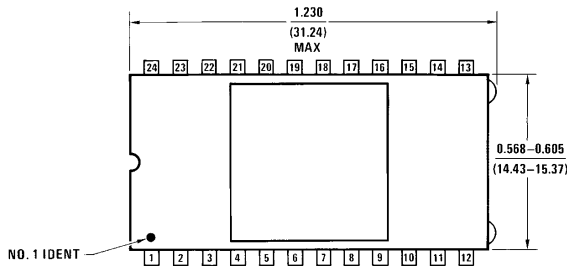


Physical Dimensions inches (millimeters)



Hermetic Dual-in-Line Package (D)
Order Number COP311C-XXX/D, COP411C-XXX/D
NS Package Number D20A

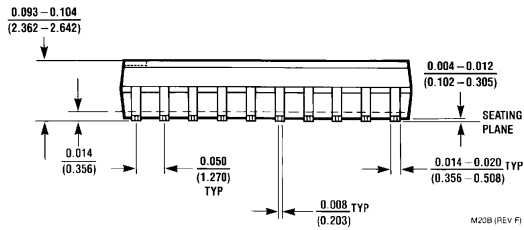
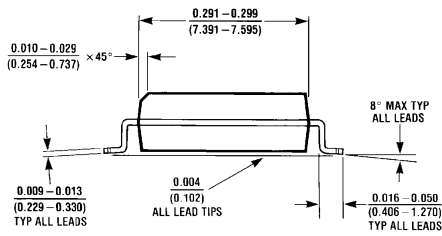
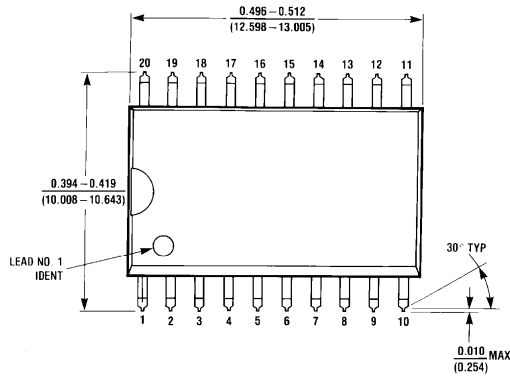
D20A (REV D)



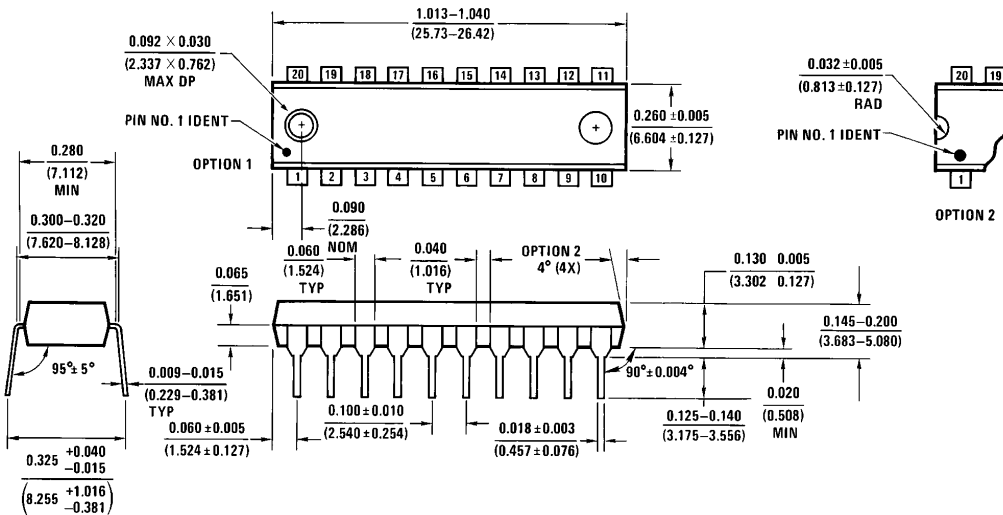
Hermetic Dual-in-Line Package (D)
Order Number COP310C-XXX/D, COP411C-XXX/D
NS Package Number D24C

D24C (REV G)

Physical Dimensions inches (millimeters) (Continued)

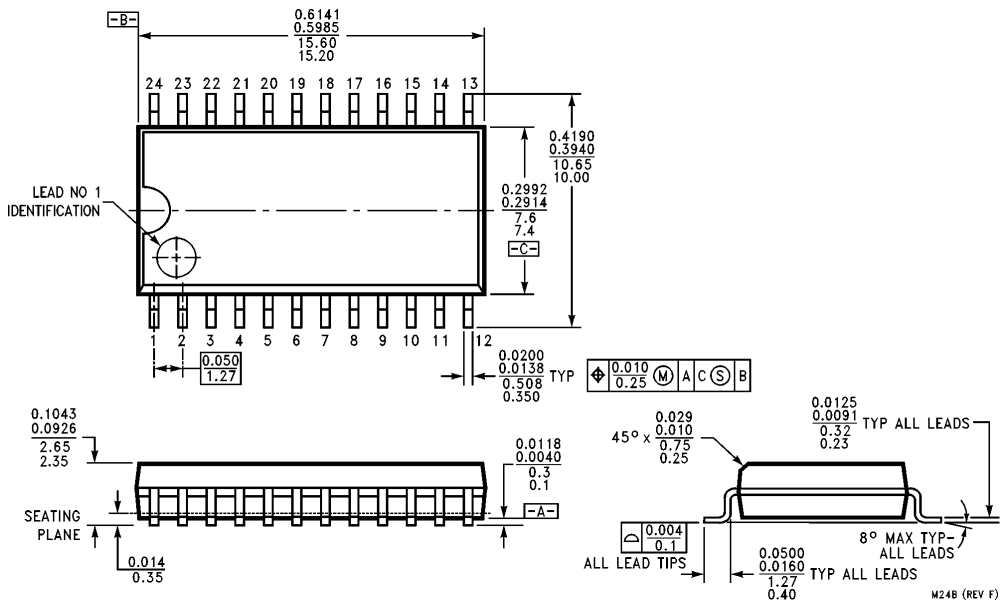


SO Package (M)
Order Number COP311C-XXX/M, COP411C-XXX/M
NS Package Number M20B

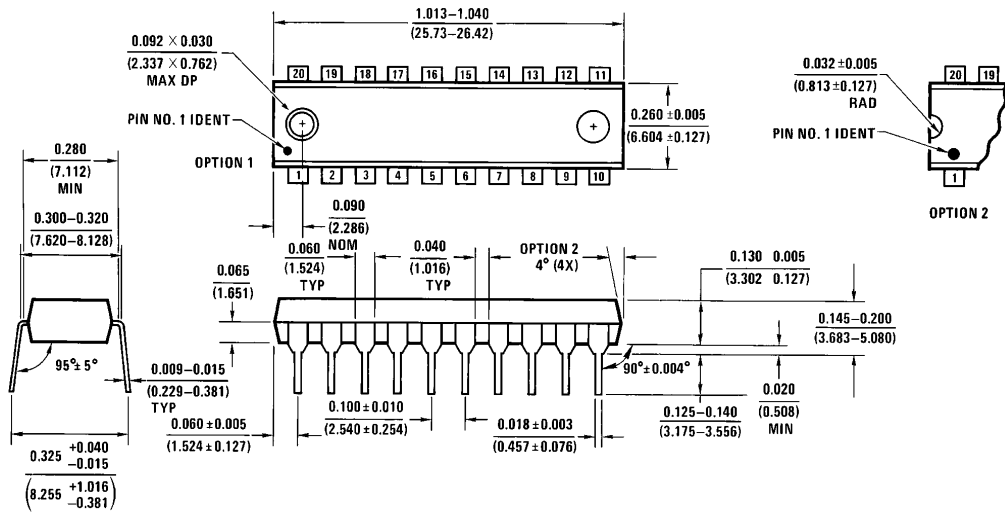


Molded Dual-In-Line Package (N)
Order Number COP311C-XXX/N or COP411C-XXX/N
NS Package Number N20A

Physical Dimensions inches (millimeters) (Continued)

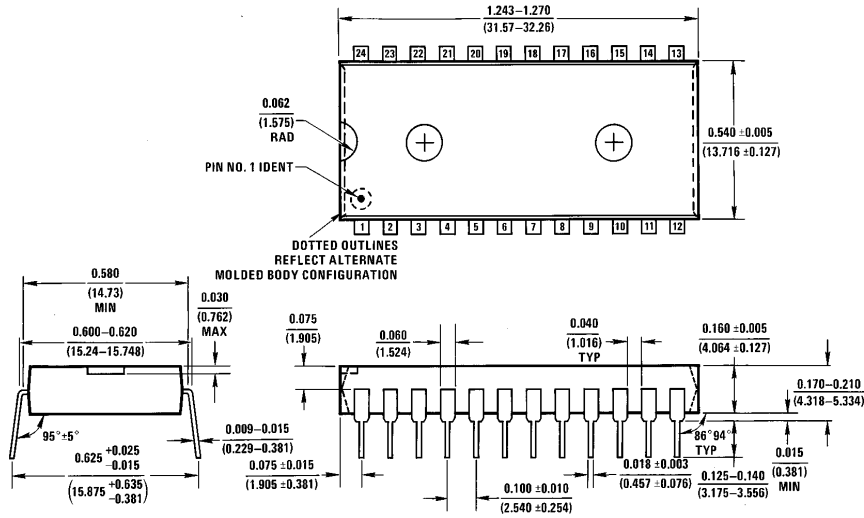


24-Lead Molded Package (M)
Order Number COP310C-XXX/M or COP411C-XXX/M
NS Package Number M24B



20-Lead Molded Dual-In-Line Package (N)
Order Number COP311C-XXX/N, COP411C-XXX/N
NS Package Number N20A

Physical Dimensions inches (millimeters) (Continued)



Molded Dual-In-Line Package (N)
Order Number COP310C-XXX/N, COP410C-XXX/N
NS Package Number N24A

N24A (REV E)

LIFE SUPPORT POLICY

NATIONAL'S PRODUCTS ARE NOT AUTHORIZED FOR USE AS CRITICAL COMPONENTS IN LIFE SUPPORT DEVICES OR SYSTEMS WITHOUT THE EXPRESS WRITTEN APPROVAL OF THE PRESIDENT OF NATIONAL SEMICONDUCTOR CORPORATION. As used herein:

1. Life support devices or systems are devices or systems which, (a) are intended for surgical implant into the body, or (b) support or sustain life, and whose failure to perform, when properly used in accordance with instructions for use provided in the labeling, can be reasonably expected to result in a significant injury to the user.
2. A critical component is any component of a life support device or system whose failure to perform can be reasonably expected to cause the failure of the life support device or system, or to affect its safety or effectiveness.



National Semiconductor Corporation
 1111 West Bardin Road
 Arlington, TX 76017
 Tel: 1(800) 272-9959
 Fax: 1(800) 737-7018

National Semiconductor Europe
 Fax: (+49) 0-180-530 85 86
 Email: cnjwge@tevm2.nsc.com
 Deutsch Tel: (+49) 0-180-530 85 85
 English Tel: (+49) 0-180-532 78 32
 Français Tel: (+49) 0-180-532 93 58
 Italiano Tel: (+49) 0-180-534 16 80

National Semiconductor Hong Kong Ltd.
 19th Floor, Straight Block,
 Ocean Centre, 5 Canton Rd.
 Tsimshatsui, Kowloon
 Hong Kong
 Tel: (852) 2737-1600
 Fax: (852) 2736-9960

National Semiconductor Japan Ltd.
 Tel: 81-043-299-2309
 Fax: 81-043-299-2408

National does not assume any responsibility for use of any circuitry described, no circuit patent licenses are implied and National reserves the right at any time without notice to change said circuitry and specifications.