

COP888GW

8-Bit Microcontroller with Pulse Train Generators and Capture Modules

General Description

The COP888 family of microcontrollers uses an 8-bit single chip core architecture fabricated with National Semiconductor's M²CMOS™ process technology. The COP888GW is a member of this expandable 8-bit core processor family of microcontrollers. It is a fully static part, fabricated using double-metal silicon gate microCMOS technology.

Features include an 8-bit memory mapped architecture, MICROWIRE/PLUS serial I/O, two 16-bit timer/counters supporting three modes (Processor Independent PWM generation, External Event counter and Input Capture mode capabilities), four independent 16-bit pulse train generators with 16-bit prescalers, two independent 16-bit input capture modules with 8-bit prescalers, multiply and divide functions, full duplex UART, and two power savings modes (HALT and IDLE), both with a multi-sourced wake up/interrupt capability. This multi-sourced interrupt capability may also be used independent of the HALT or IDLE modes.

Each I/O pin has software selectable configurations. The devices operate over a voltage range of 2.5V–6V. High throughput is achieved with an efficient, regular instruction set operating at a maximum of 1 μs per instruction rate. The device has low EMI emissions. Low radiated emissions are achieved by gradual turn-on output drivers and internal I_{CC} filters on the chip logic and crystal oscillator. The device is available in 68-pin PLCC package.

Key Features

- Two 16-bit input capture modules with 8-bit prescalers
- Four Pulse Train Generators with 16-bit prescalers
- Full duplex UART
- Two 16-bit timers, each with two 16-bit registers supporting:
 - Processor independent PWM mode
 - External event counter mode
 - Input capture mode
- Quiet design (low radiated emissions)
- 16 kbytes on-board ROM
- 512 bytes on-board RAM

Additional Peripheral Features

- Idle Timer
- Multi-Input Wake-Up (MIWU) with optional interrupts (8)
- MICROWIRE/PLUS™ serial I/O

I/O Features

- Memory mapped I/O
- Software selectable I/O options (TRI-STATE® Output, Push-Pull Output, Weak Pull-Up Input, High Impedance Input)
- Schmitt trigger inputs on port G
- Package: 68-pin PLCC

CPU/Instruction Set Features

- 1 μs instruction cycle time
- Fourteen multi-source vectored interrupts servicing:
 - External Interrupt with selectable edge
 - Idle Timer T0
 - Two Timers (each with 2 interrupts)
 - MICROWIRE/PLUS
 - Multi-Input Wake-Up
 - Software Trap
 - UART (2)
 - Capture Timers
 - Counters (one vector for all four counters)
 - Default VIS (default interrupt)
- Versatile and easy-to-use instruction set
- 8-bit Stack Pointer SP—(stack in RAM)
- Two 8-bit register indirect data memory pointers (B and X)

Fully Static CMOS

- Two power saving modes: HALT and IDLE
- Low current drain (typically <1 μA)
- Single supply operation: 2.5V–5.5V
- Temperature range: –40°C to +85°C

Development Support

- Emulation and OTP device
- Real time emulation and full program debug offered by MetaLink's Development System

TRI-STATE® is a registered trademark of National Semiconductor Corporation.
M²CMOS™, MICROWIRE/PLUS™, COPS™, MICROWIRE™ and WATCHDOG™ are trademarks of National Semiconductor Corporation.
IBM®, PC®, PC-AT® and PC/XT® are registered trademarks of International Business Machines Corporation.
iceMASTER™ is a trademark of MetaLink Corporation.

Block Diagram

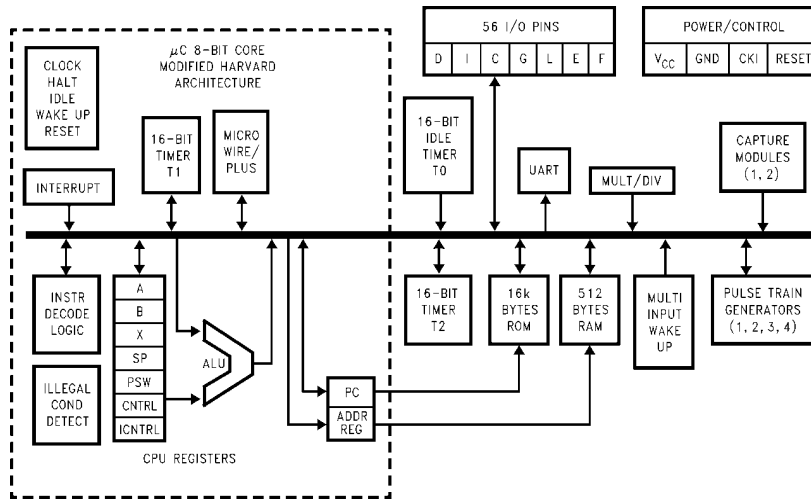
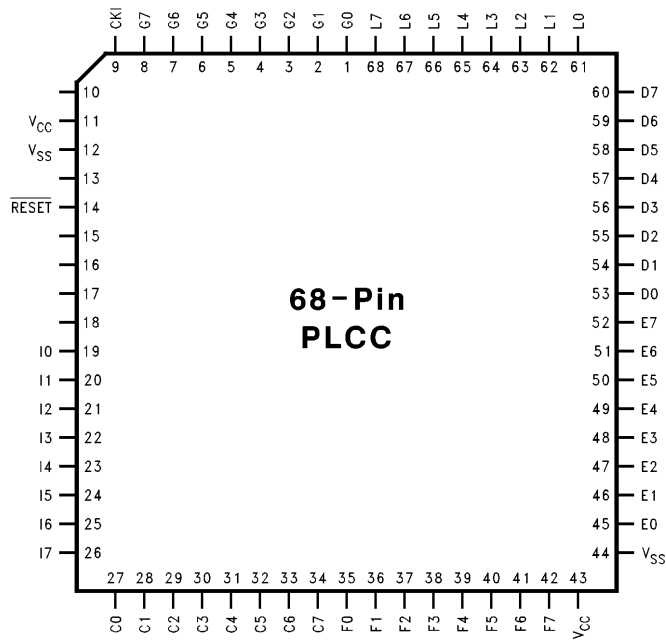


FIGURE 1. COP888GW Block Diagram

TL/DD/12065-1

Connection Diagram



**68-Pin
PLCC**

Top View

Order Number COP888GW-XXX/V
See NS Package Number V68A

TL/DD/12065-2

Absolute Maximum Ratings (Note)

Supply Voltage (V_{CC})	7V
Voltage at Any Pin	-0.3V to $V_{CC} + 0.3V$
Total Current into V_{CC} Pin (Source)	100 mA
Total Current out of GND Pin (Sink)	110 mA
Storage Temperature Range	-65°C to +150°C

Note: Absolute maximum ratings indicate limits beyond which damage to the device may occur. DC and AC electrical specifications are not ensured when operating the device at absolute maximum ratings.

DC Electrical Characteristics COP888GW: $-40^{\circ}\text{C} \leq T_A \leq +85^{\circ}\text{C}$ unless otherwise specified

Parameter	Conditions	Min	Typ	Max	Units
Operating Voltage		2.5		6.0	V
Power Supply Ripple (Note 1)	Peak-to-Peak			0.1 V_{CC}	V
Supply Current (Note 2)					
CKI = 10 MHz	$V_{CC} = 6V, t_c = 1 \mu s$			10	mA
CKI = 4 MHz	$V_{CC} = 2.5V, t_c = 2.5 \mu s$			1.7	mA
HALT Current (Note 3)	$V_{CC} = 6V, CKI = 0 \text{ MHz}$		< 1	10	μA
IDLE Current					
CKI = 10 MHz	$V_{CC} = 6V$			1.7	mA
CKI = 4 MHz	$V_{CC} = 2.5V$			0.4	mA
Input Levels (V_{IH}, V_{IL})					
$\overline{\text{RESET}}, CKI$					
Logic High		0.8 V_{CC}			V
Logic Low				0.2 V_{CC}	V
All Other Inputs					
Logic High		0.7 V_{CC}			V
Logic Low				0.2 V_{CC}	V
Hi-Z Input Leakage	$V_{CC} = 6V$	-2		+2	μA
Input Pullup Current	$V_{CC} = 6V, V_{IN} = 0V$	-40		-250	μA
G Port Input Hysteresis	(Note 6)		0.05 V_{CC}	0.35 V_{CC}	V
Output Current Levels					
D Outputs					
Source	$V_{CC} = 4V, V_{OH} = 3.3V$	-0.4			mA
	$V_{CC} = 2.5V, V_{OH} = 1.8V$	-0.2			mA
Sink	$V_{CC} = 4V, V_{OL} = 1V$	10			mA
	$V_{CC} = 2.5V, V_{OL} = 0.4V$	2.0			mA
All Others					
Source (Weak Pull-Up Mode)	$V_{CC} = 4V, V_{OH} = 2.7V$	-10		-100	μA
	$V_{CC} = 2.5V, V_{OH} = 1.8V$	-2.5		-33	μA
Source (Push-Pull Mode)	$V_{CC} = 4V, V_{OH} = 3.3V$	-0.4			mA
	$V_{CC} = 2.5V, V_{OH} = 1.8V$	-0.2			mA
Sink (Push-Pull Mode)	$V_{CC} = 4V, V_{OL} = 0.4V$	1.6			mA
	$V_{CC} = 2.5V, V_{OL} = 0.4V$	0.7			mA
TRI-STATE Leakage	$V_{CC} = 6.0V$	-2		+2	μA
Allowable Sink/Source Current per Pin					
D Outputs (Sink)				15	mA
All others				3	mA
Maximum Input Current without Latchup (Note 4, 6)	Room Temp			± 200	mA
RAM Retention Voltage, V_R (Note 5)	500 ns Rise and Fall Time (min)	2			V
Input Capacitance	(Note 6)			7	pF
Load Capacitance on D2	(Note 6)			1000	pF

AC Electrical Characteristics COP888GW: $-40^{\circ}\text{C} \leq T_A \leq +85^{\circ}\text{C}$ unless otherwise specified

Parameter	Conditions	Min	Typ	Max	Units
Instruction Cycle Time (t_c)	Crystal, Resonator	$2.5V \leq V_{CC} < 4V$	2.5	DC	μs
	Ceramic	$V_{CC} \geq 4V$	1.0	DC	μs
CKI Clock Duty Cycle (Note 5)	$f = \text{Max}$	40		60	%
Rise Time (Note 5)	$f = 10 \text{ MHz Ext Clock}$			5	μs
Fall Time (Note 5)	$f = 10 \text{ MHz Ext Clock}$			5	μs
Inputs	t_{SETUP}	$V_{CC} \geq 4V$	200		ns
		$2.5V \leq V_{CC} < 4V$	500		ns
	t_{HOLD}	$V_{CC} \geq 4V$	60		ns
		$2.5V \leq V_{CC} < 4V$	150		ns
Output Propagation Delay (Note 8)	$R_L = 2.2k, C_L = 100 \text{ pF}$	$V_{CC} \geq 4V$		0.7	μs
				$2.5V \leq V_{CC} < 4V$	1.8
	All Others	$V_{CC} \geq 4V$		1	μs
				$2.5V \leq V_{CC} < 4V$	2.5
MICROWIRE™ Setup Time (t_{UWS}) (Note 6)	$V_{CC} \geq 4V$	20			ns
MICROWIRE Hold Time (t_{UWH}) (Note 6)	$V_{CC} \geq 4V$	56			ns
MICROWIRE Output Propagation Delay (t_{UPD})	$V_{CC} \geq 4V$			220	ns
Input Pulse Width (Note 7)		Interrupt Input High Time	1		t_c
		Interrupt Input Low Time	1		t_c
		Timer 1, 2 Input High Time	1		t_c
		Timer 1, 2 Input Low Time	1		t_c
Capture Timer High Time		1			CKI
Capture Timer Low Time		1			CKI
Reset Pause Width		1			t_c

Note 1: Maximum rate of voltage change to be defined.

Note 2: Supply current is measured after running 2000 cycles with a square wave CKI input, CKO open, inputs at rails and outputs open.

Note 3: The HALT mode will stop CKI from oscillating. Test conditions: All inputs tied to V_{CC} , L, C, E, F, and G port I/O's configured as outputs and programmed low and not driving a load; D outputs programmed low and not driving a load. Parameter refers to HALT mode entered via setting bit 7 of the G Port data register. Part will pull up CKI during HALT in crystal clock mode.

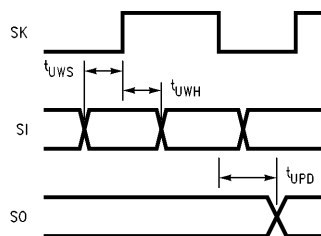
Note 4: Pins G6 and RESET are designed with a high voltage input network. These pins allow input voltages greater than V_{CC} and the pins will have sink current to V_{CC} when biased at voltages greater than V_{CC} (the pins do not have source current when biased at a voltage below V_{CC} .) The effective resistance to V_{CC} is 750Ω (typical). These two pins will not latch up. The voltage at the pins must be limited to less than 14 volts. WARNING: Voltages in excess of 14 volts will cause damage to the pins. This warning excludes ESD transients.

Note 5: Condition and parameter valid only for part in HALT mode.

Note 6: Parameter characterized but not tested.

Note 7: t_c = Instruction Cycle Time

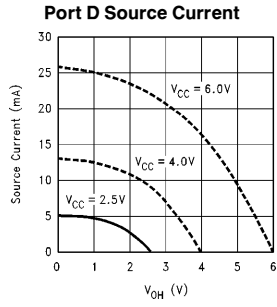
Note 8: The output propagation delay is referenced to the end of the instruction cycle where the output change occurs.



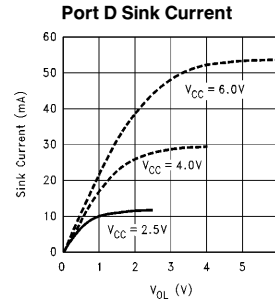
TL/DD/12065-3

FIGURE 2. MICROWIRE/PLUS Timing

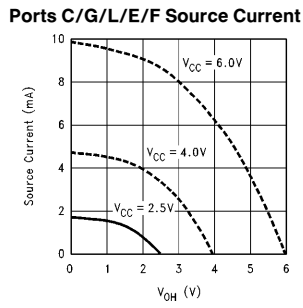
Typical Performance Characteristics $-40^{\circ}\text{C} \leq T_A \leq +85^{\circ}\text{C}$



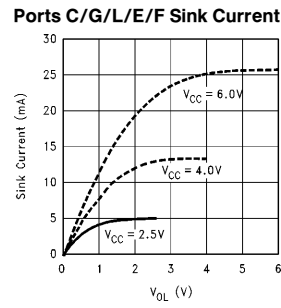
TL/DD/12065-23



TL/DD/12065-24

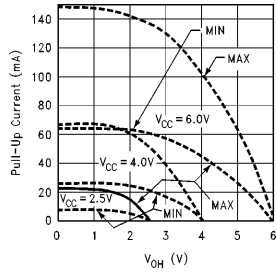


TL/DD/12065-25



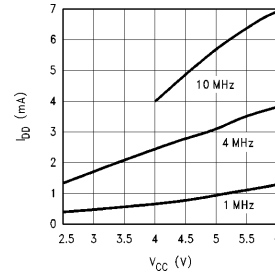
TL/DD/12065-26

Ports C/G/L/E/F Weak Pull-Up Source Current

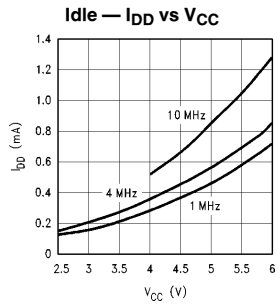


TL/DD/12065-27

Dynamic — I_{DD} vs V_{CC}

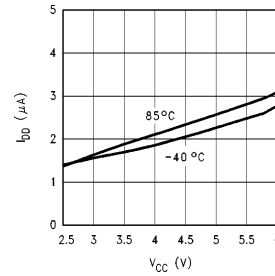


TL/DD/12065-28



TL/DD/12065-29

HALT — I_{DD} vs V_{CC}



TL/DD/12065-30

Pin Descriptions

V_{CC} and GND are the power supply pins. All V_{CC} and GND pins must be connected.

CKI is the clock input. This comes from an R/C generated oscillator, or a crystal oscillator (in conjunction with CKO). See Oscillator Description section.

RESET is the master reset input. See Reset description section.

The device contains five bidirectional 8-bit I/O ports (C, E, F, G and L), where each individual bit may be independently configured as an input (Schmitt trigger inputs on ports L and G), output or TRI-STATE under program control. Three data memory address locations are allocated for each of these I/O ports. Each I/O port has two associated 8-bit memory mapped registers, the CONFIGURATION register and the output DATA register. A memory mapped address is also reserved for the input pins of each I/O port. (See the memory map for the various addresses associated with the I/O ports.) Figure 3 shows the I/O port configurations. The DATA and CONFIGURATION registers allow for each port bit to be individually configured under software control as shown below:

Configuration Register	Data Register	Port Set-Up
0	0	Hi-Z Input (TRI-STATE Output)
0	1	Input with Weak Pull-Up
1	0	Push-Pull Zero Output
1	1	Push-Pull One Output

PORT L is an 8-bit I/O port. All L-pins have Schmitt triggers on the inputs.

The Port L supports Multi-Input Wake Up on all eight pins. L1 is used for the UART external clock. L2 and L3 are used for the UART transmit and receive. L4 and L5 are used for the timer input functions T2A and T2B. L6 and L7 are used for the capture timer input functions CAP1 and CAP2.

The Port L has the following alternate features:

- L0 MIWU
- L1 MIWU or CKX
- L2 MIWU or TDX
- L3 MIWU or RDX
- L4 MIWU or T2A
- L5 MIWU or T2B
- L6 MIWU or CAP1
- L7 MIWU or CAP2

Port G is an 8-bit port with 6 I/O pins (G0–G5), an input pin (G6), and a dedicated output pin (G7). Pins G0–G6 all have Schmitt Triggers on their inputs. Pin G7 serves as the dedicated output pin for the CKO clock output. There are two registers associated with the G Port, a data register and a configuration register. Therefore, each of the 6 I/O bits (G0–G5) can be individually configured under software control.

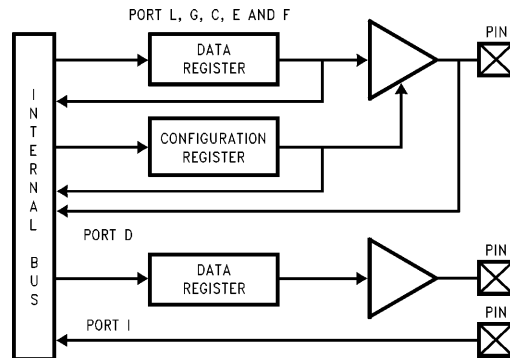


FIGURE 3. I/O Port Configurations

TL/DD/12065-4

Pin Descriptions (Continued)

Since G6 is an input only pin and G7 is dedicated CKO clock output pin, the associated bits in the data and configuration registers for G6 and G7 are used for special purpose functions as outlined below. Reading the G6 and G7 data bits will return zeros.

Note that the chip will be placed in the HALT mode by writing a "1" to bit 7 of the Port G Data Register. Similarly the chip will be placed in the IDLE mode by writing a "1" to bit 6 of the Port G Data Register.

Writing a "1" to bit 6 of the Port G Configuration Register enables the MICROWIRE/PLUS to operate with the alternate phase of the SK clock.

	Config Reg.	Data Reg.
G7	Not Used	HALT
G6	Alternate SK	IDLE

Port G has the following alternate features:

- G0 INTR (External Interrupt Input)
- G2 T1B (Timer T1 Capture Input)
- G3 T1A (Timer T1 I/O)
- G4 SO (MICROWIRE Serial Data Output)
- G5 SK (MICROWIRE Serial Clock)
- G6 SI (MICROWIRE Serial Data Input)

Port G has the following dedicated functions:

- G7 CKO Oscillator dedicated output

Ports C and F are 8-bit I/O ports.

Port E is an 8-bit I/O port. It has the following alternate features:

- E0 CT1 (Output for counter1, Pulse Train Generator)
- E1 CT2 (Output for counter2, Pulse Train Generator)
- E2 CT3 (Output for counter3, Pulse Train Generator)
- E3 CT4 (Output for counter4, Pulse Train Generator)

Port I is an eight-bit Hi-Z input port.

Port D is an 8-bit output port that is preset high when **RESET** goes low. The user can tie two or more D port outputs (except D2) together in order to get a higher drive.

Functional Description

The architecture of the device is modified Harvard architecture. With the Harvard architecture, the control store program memory (ROM) is separated from the data store memory (RAM). Both ROM and RAM have their own separate addressing space with separate address buses. The architecture, though based on Harvard architecture, permits transfer of data from ROM to RAM.

CPU REGISTERS

The CPU can do an 8-bit addition, subtraction, logical or shift operation in one instruction (t_c) cycle time.

There are six CPU registers:

A is the 8-bit Accumulator Register

PC is the 15-bit Program Counter Register

PU is the upper 7 bits of the program counter (PC)

PL is the lower 8 bits of the program counter (PC)

B is an 8-bit RAM address pointer, which can be optionally post auto incremented or decremented.

X is an 8-bit alternate RAM address pointer, which can be optionally post auto incremented or decremented.

SP is the 8-bit stack pointer, which points to the subroutine/interrupt stack (in RAM). The SP is initialized to RAM address 06F with reset.

S is the 8-bit Data Segment Address Register used to extend the lower half of the address range (00 to 7F) into 256 data segments of 128 bytes each.

All the CPU registers are memory mapped with the exception of the Accumulator (A) and the Program Counter (PC).

PROGRAM MEMORY

The program memory consists of 16384 bytes of ROM. These bytes may hold program instructions or constant data (data tables for the LAID instruction, jump vectors for the JID instruction, and interrupt vectors for the VIS instruction). The program memory is addressed by the 15-bit program counter (PC). All interrupts in the devices Vector to program memory location 0FF Hex.

DATA MEMORY

The data memory address space includes the on-chip RAM and data registers, the I/O registers (Configuration, Data and Pin), the control registers, the MICROWIRE/PLUS SIO shift register, and the various registers, and counters associated with the timers (with the exception of the IDLE timer). Data memory is addressed directly by the instruction or indirectly by the B, X, SP pointers and S register.

The data memory consists of 512 bytes of RAM. Sixteen bytes of RAM are mapped as "registers" at addresses 0F0 to 0FF Hex. These registers can be loaded immediately, and also decremented and tested with the DRSZ (decrement register and skip if zero) instruction. The memory pointer registers X, SP, B and S are memory mapped into this space at address locations 0FC to 0FF Hex respectively, with the other registers being available for general usage.

Note: RAM contents are undefined upon power-up.

Data Memory Segment RAM Extension

Data memory address 0FF is used as a memory mapped location for the Data Segment Address Register (S).

The data store memory is either addressed directly by a single-byte address within the instruction, or indirectly relative to the reference of the B, X, or SP pointers (each contains a single-byte address). This single-byte address allows an addressing range of 256 locations from 00 to FF hex. The upper bit of this single-byte address divides the data store memory into two separate sections as outlined previously. With the exception of the RAM register memory from address locations 00F0 to 00FF, all RAM memory is memory mapped with the upper bit of the single-byte address being equal to zero. This allows the upper bit of the single-byte address to determine whether or not the base address range (from 0000 to 00FF) is extended. If this upper bit equals one (representing address range 0080 to 00FF), then address extension does not take place. Alternatively, if this upper bit equals zero, then the data segment extension

Data Memory Segment RAM Extension (Continued)

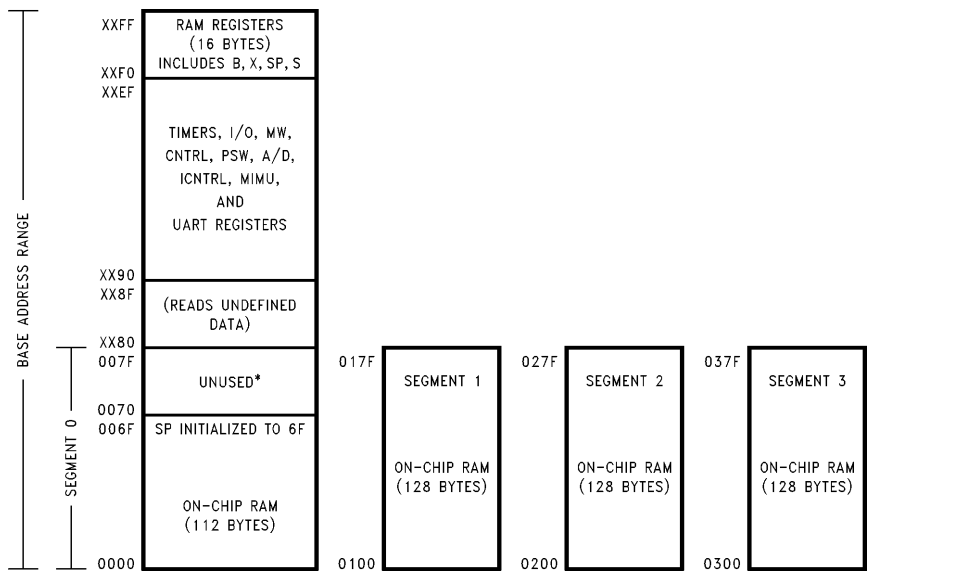
register S is used to extend the base address range (from 0000 to 007F) from XX00 to XX7F, where XX represents the 8 bits from the S register. Thus the 128-byte data segment extensions are located from addresses 0100 to 017F for data segment 1, 0200 to 027F for data segment 2, etc., up to FF00 to FF7F for data segment 255. The base address range from 0000 to 007F represents data segment 0.

Figure 4 illustrates how the S register data memory extension is used in extending the lower half of the base address range (00 to 7F hex) into 256 data segments of 128 bytes each, with a total addressing range of 32 kbytes from XX00 to XX7F. This organization allows a total of 256 data segments of 128-bytes each with an additional upper base segment of 128 bytes. Furthermore, all addressing modes are available for all data segments. The S register must be changed under program control to move from one data segment (128 bytes) to another. However, the upper base segment (containing the 16 memory registers, I/O registers, control registers, etc.) is always available regardless of the contents of the S register, since the upper base segment (address range 0080 to 00FF) is independent of data segment extension.

The instructions that utilize the stack pointer (SP) always reference the stack as part of the base segment (Segment 0), regardless of the contents of the S register. The S register is not changed by these instructions. Consequently, the stack (used with subroutine linkage and interrupts) is always located in the base segment. The stack pointer will be initialized to point at data memory location 006F as a result of reset.

The 128 bytes of RAM contained in the base segment are split between the lower and upper base segments. The first 112 bytes of RAM are resident from address 0000 to 006F in the lower base segment, while the remaining 16 bytes of RAM represent the 16 data memory registers located at addresses 00F0 to 00FF of the upper base segment. No RAM is located at the upper sixteen addresses (0070 to 007F) of the lower base segment.

Additional RAM beyond these initial 128 bytes, however, will always be memory mapped in groups of 128 bytes (or less) at the data segment address extensions (XX00 to XX7F) of the lower base segment. The additional 384 bytes of RAM in this device are memory mapped at address locations 0100 to 017F, 0200 to 027F, and 0300 to 037F.



*Reads as all ones.

TL/DD/12065-5

FIGURE 4. RAM Organization

Reset

This device enters a reset state immediately upon detecting a logic low on the $\overline{\text{RESET}}$ pin. The $\overline{\text{RESET}}$ pin must be held low for a minimum of one instruction cycle to guarantee a valid reset. During power-up initialization, the user must insure that the $\overline{\text{RESET}}$ pin is held low until this device is within the specified V_{CC} voltage. An R/C circuit on the $\overline{\text{RESET}}$ pin with a delay 5 times (5x) greater than the power supply rise time is recommended.

When the $\overline{\text{RESET}}$ input goes low, the I/O ports are initialized immediately, with any observed delay being only propagation delay. When the $\overline{\text{RESET}}$ pin goes high, this device comes out of the reset state synchronously. This device will be running within two instruction cycles of the $\overline{\text{RESET}}$ pin going high.

$\overline{\text{RESET}}$ may also be used to exit this device from the HALT mode.

Some registers are reset to a known state, whereas other registers and RAM are "unchanged" by reset. When the controller goes into reset state while it is performing a write operation to one of these registers or RAM that are "unchanged" by reset, the register or RAM value will become unknown (i.e. not unchanged). This is because the write operation is terminated prematurely by reset and the results become uncertain. These registers and RAM locations are unchanged by reset only if they are not written to when the controller resets.

The following initializations occur with $\overline{\text{RESET}}$:

Port L: TRI-STATE

Port C: TRI-STATE

Port G: TRI-STATE

Port E: TRI-STATE

Port F: TRI-STATE

Port D: HIGH

PC: CLEARED

PSW, CNTRL and ICNTRL registers: CLEARED

SIOR:

UNAFFECTED after RESET with power already applied

RANDOM after RESET at power-on

T1CNTRL: CLEARED

T2CNTRL: CLEARED

TxRA, TxRB: RANDOM

CCMR1, CCMR2: CLEARED

CM1PSC, CM1CRL, CM1CRH, CM2PSC, CM2CRL, and CM2CRH:

UNAFFECTED after RESET with power already applied

RANDOM after RESET at power-on

CCR1 and CCR2: CLEARED

CxPRH, CxPRL, CxCTH, and CxCTL:

UNAFFECTED after RESET with RC clock option (power already applied)

RANDOM after RESET at power-on

PSR, ENUR and ENUI: CLEARED

ENU: CLEARED except Bit 1 (TBMT) = 1

Accumulator, Timer 1 and Timer 2:

RANDOM after RESET with crystal clock option (power already applied)

RANDOM after RESET at power-on

MDCR: CLEARED

MDR1, MDR2, MDR3, MDR4, MDR5: RANDOM

WKEN, WKEDG: CLEARED

WKPND: RANDOM

S Register: CLEARED

SP (Stack Pointer): Loaded with 6F Hex

B and X Pointers:

UNAFFECTED after RESET with power already applied

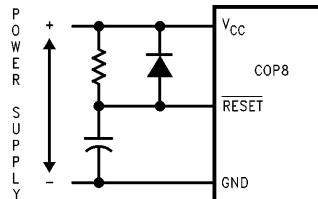
RANDOM after RESET at power-on

RAM:

UNAFFECTED after RESET with power already applied

RANDOM after RESET at power-on

The external RC network shown in *Figure 5* should be used to ensure that the $\overline{\text{RESET}}$ pin is held low until the power supply to the chip stabilizes.



TL/DD/12065-6

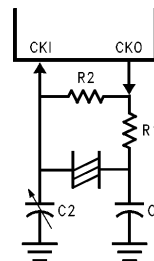
$RC > 5 \times \text{POWER SUPPLY RISE TIME}$

FIGURE 5. Recommended Reset Circuit

Oscillator Circuits

The chip can be driven by a clock input on the CKI input pin which can be between DC and 10 MHz. The CKO output clock is on pin G7 (crystal configuration). The CKI input frequency is divided down by 10 to produce the instruction cycle clock (t_c).

Figure 6 shows the Crystal diagram



TL/DD/12065-7

FIGURE 6. Crystal Diagram

CRYSTAL OSCILLATOR

CKI and CKO can be connected to make a closed loop crystal (or resonator) controlled oscillator.

Oscillator Circuits (Continued)

Table I shows the component values required for various standard crystal values.

TABLE I. Crystal Oscillator Configuration, $T_A = 25^\circ\text{C}$

R1 (k Ω)	R2 (M Ω)	C1 (pF)	C2 (pF)	CKI Freq (MHz)	Conditions
0	1	30	30–36	10	$V_{CC} = 5V$
0	1	30	30–36	4	$V_{CC} = 5V$
0	1	200	100–150	0.455	$V_{CC} = 5V$

Control Registers

CNTRL Register (Address X'00EE)

The Timer1 (T1) and MICROWIRE/PLUS control register contains the following bits:

SL1 & SL0 Select the MICROWIRE/PLUS clock divide by (00 = 2, 01 = 4, 1x = 8)

IEDG External interrupt edge polarity select (0 = Rising edge, 1 = Falling edge)

MSEL Selects G5 and G4 as MICROWIRE/PLUS signals SK and SO respectively

T1C0 Timer T1 Start/Stop control in timer modes 1 and 2
T1 Underflow Interrupt Pending Flag in timer mode 3

T1C1 Timer T1 mode control bit

T1C2 Timer T1 mode control bit

T1C3 Timer T1 mode control bit

T1C3	T1C2	T1C1	T1C0	MSEL	IEDG	SL1	SL0
Bit 7				Bit 0			

PSW Register (Address X'00EF)

The PSW register contains the following select bits:

GIE Global interrupt enable (enables interrupts)

EXEN Enable external interrupt

BUSY MICROWIRE/PLUS busy shifting flag

EXPND External interrupt pending

T1ENA Timer T1 Interrupt Enable for Timer Underflow or T1A Input capture edge

T1PNDA Timer T1 Interrupt Pending Flag (Autoreload RA in mode 1, T1 Underflow in Mode 2, T1A capture edge in mode 3)

C Carry Flag

HC Half Carry Flag

HC	C	T1PNDA	T1ENA	EXPND	BUSY	EXEN	GIE
Bit 7							Bit 0

The Half-Carry flag is also affected by all the instructions that affect the Carry flag. The SC (Set Carry) and RC (Reset Carry) instructions will respectively set or clear both the carry flags. In addition to the SC and RC instructions, ADC, SUBC, RRC and RLC instructions affect the Carry and Half Carry flags.

ICNTRL Register (Address X'00E8)

The ICNTRL register contains the following bits:

T1ENB Timer T1 Interrupt Enable for T1B Input capture edge

T1PNDB Timer T1 Interrupt Pending Flag for T1B capture edge

μ WEN Enable MICROWIRE/PLUS interrupt

μ WPND MICROWIRE/PLUS interrupt pending

T0EN Timer T0 Interrupt Enable (Bit 12 toggle)

T0PND Timer T0 Interrupt pending

LPEN L Port Interrupt Enable (Multi-Input Wake up/Interrupt)

Bit 7 could be used as a flag

Unused	LPEN	T0PND	T0EN	WPND	WEN	T1PNDB	T1ENB
Bit 7							Bit 0

T2CNTRL Register (Address X'00C6)

The T2CNTRL register contains the following bits:

T2ENB Timer T2 Interrupt Enable for T2B Input capture edge

T2PNDB Timer T2 Interrupt Pending Flag for T2B capture edge

T2ENA Timer T2 Interrupt Enable for Timer Underflow or T2A Input capture edge

T2PNDA Timer T2 Interrupt Pending Flag (Auto reload RA in mode 1, T2 Underflow in mode 2, T2A capture edge in mode 3)

T2C0 Timer T2 Start/Stop control in timer modes 1 and 2
Timer T2 Underflow Interrupt Pending Flag in timer mode 3

T2C1 Timer T2 mode control bit

T2C2 Timer T2 mode control bit

T2C3 Timer T2 mode control bit

T2C3	T2C2	T2C1	T2C0	T2PNDA	T2ENA	T2PNDB	T2ENB
Bit 7							Bit 0

Timers

The device contains a very versatile set of timers (T0, T1, T2). All timers and associated autoreload/capture registers power up containing random data.

TIMER T0 (IDLE TIMER)

The device supports applications that require maintaining real time and low power with the IDLE mode. This IDLE mode support is furnished by the IDLE timer T0, which is a 16-bit timer. The Timer T0 runs continuously at the fixed rate of the instruction cycle clock, t_c . The user cannot read or write to the IDLE Timer T0, which is a count down timer.

The Timer T0 supports the following functions:

- Exit out of the Idle Mode (See Idle Mode description)
- Start up delay out of the HALT mode

The IDLE Timer T0 can generate an interrupt when the thirteenth bit toggles. This toggle is latched into the T0PND pending flag, and will occur every 4 ms at the maximum clock frequency ($t_c = 1 \mu\text{s}$). A control flag T0EN allows the interrupt from the thirteenth bit of Timer T0 to be enabled or disabled. Setting T0EN will enable the interrupt, while resetting it will disable the interrupt.

TIMER T1 AND TIMER T2

The device has a set of two powerful timer/counter blocks, T1 and T2. The associated features and functioning of a timer block are described by referring to the timer block Tx. Since the two timer blocks, T1 and T2 are identical, all comments are equally applicable to either of the two timer blocks.

Each timer block consists of a 16-bit timer, Tx, and two supporting 16-bit autoreload/capture registers, RxA and RxB. Each timer block has two pins associated with it, TxA and TxB. The pin TxA supports I/O required by the timer block, while the pin TxB is an input to the timer block. The powerful and flexible timer block allows the device to easily perform all timer functions with minimal software overhead. The timer block has three operating modes: Processor Independent PWM mode, External Event Counter mode, and Input Capture mode.

The control bits TxC3, TxC2, and TxC1 allow selection of the different modes of operation.

Mode 1. Processor Independent PWM Mode

As the name suggests, this mode allows the device to generate a PWM signal with very minimal user intervention. The

user only has to define the parameters of the PWM signal (ON time and OFF time). Once begun, the timer block will continuously generate the PWM signal completely independent of the microcontroller. The user software services the timer block only when the PWM parameters require updating.

In this mode the timer Tx counts down at a fixed rate of t_c . Upon every underflow the timer is alternately reloaded with the contents of supporting registers, RxA and RxB. The very first underflow of the timer causes the timer to reload from the register RxA. Subsequent underflows cause the timer to be reloaded from the registers alternately beginning with the register RxB.

The Tx Timer control bits, TxC3, TxC2 and TxC1 set up the timer for PWM mode operation.

Figure 7 shows a block diagram of the timer in PWM mode.

The underflows can be programmed to toggle the TxA output pin. The underflows can also be programmed to generate interrupts.

Underflows from the timer are alternately latched into two pending flags, TxPNDA and TxPNDB. The user must reset these pending flags under software control. Two control enable flags, TxENA and TxENB, allow the interrupts from the timer underflow to be enabled or disabled. Setting the timer enable flag TxENA will cause an interrupt when a timer underflow causes the RxA register to be reloaded into the timer. Setting the timer enable flag TxENB will cause an interrupt when a timer underflow causes the RxB register to be reloaded into the timer. Resetting the timer enable flags will disable the associated interrupts.

Either or both of the timer underflow interrupts may be enabled. This gives the user the flexibility of interrupting once per PWM period on either the rising or falling edge of the PWM output. Alternatively, the user may choose to interrupt on both edges of the PWM output.

Mode 2. External Event Counter Mode

This mode is quite similar to the processor independent PWM mode described above. The main difference is that the timer, Tx, is clocked by the input signal from the TxA pin. The Tx timer control bits, TxC3, TxC2 and TxC1 allow the timer to be clocked either on a positive or negative edge from the TxA pin. Underflows from the timer are latched into the TxPNDA pending flag. Setting the TxENA control flag will cause an interrupt when the timer underflows.

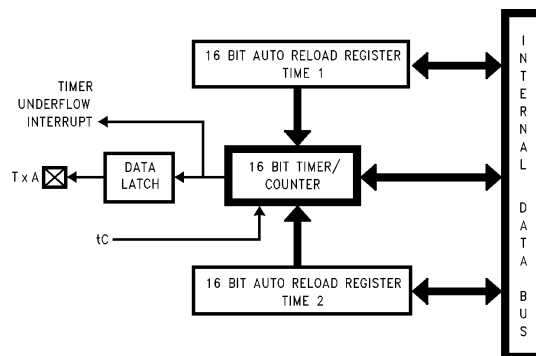
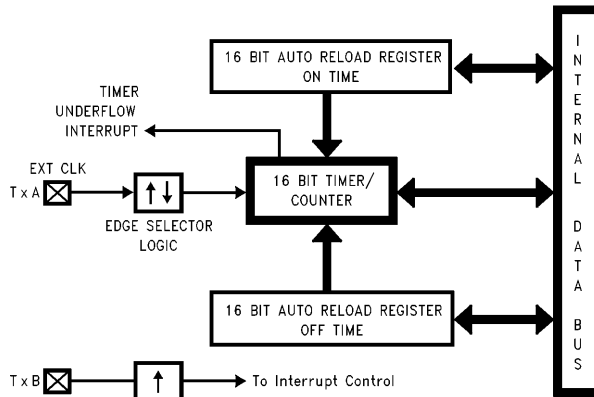


FIGURE 7. Timer in PWM Mode

TL/DD/12065-8

Timers (Continued)



TL/DD/12065-9

FIGURE 8. Timer in External Event Counter Mode

In this mode the input pin TxB can be used as an independent positive edge sensitive interrupt input if the TxENB control flag is set. The occurrence of a positive edge on the TxB input pin is latched into the TxPNDB flag.

Figure 8 shows a block diagram of the timer in External Event Counter mode.

Note: The PWM output is not available in this mode since the TxA pin is being used as the counter input clock.

Mode 3. Input Capture Mode

The device can precisely measure external frequencies or time external events by placing the timer block, Tx, in the input capture mode.

In this mode, the timer Tx is constantly running at the fixed t_c rate. The two registers, RxA and RxB, act as capture registers. Each register acts in conjunction with a pin. The register RxA acts in conjunction with the TxA pin and the register RxB acts in conjunction with the TxB pin.

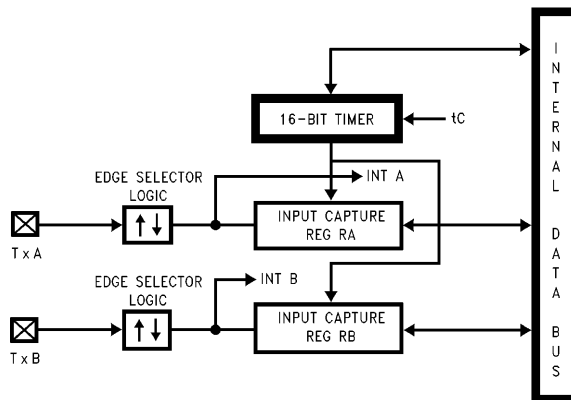
The timer value gets copied over into the register when a trigger event occurs on its corresponding pin. Control bits, TxC3, TxC2 and TxC1, allow the trigger events to be specified either as a positive or a negative edge. The trigger condition for each input pin can be specified independently.

The trigger conditions can also be programmed to generate interrupts. The occurrence of the specified trigger condition on the TxA and TxB pins will be respectively latched into the pending flags, TxPNDA and TxPNDB.

The control flag TxENA allows the interrupt on TxA to be either enabled or disabled. Setting the TxENA flag enables interrupts to be generated when the selected trigger condition occurs on the TxA pin. Similarly, the flag TxENB controls the interrupts from the TxB pin.

Underflows from the timer can also be programmed to generate interrupts. Underflows are latched into the timer TxCO pending flag (the TxCO control bit serves as the timer underflow interrupt pending flag in the Input Capture mode). Consequently, the TxCO control bit should be reset when entering the Input Capture mode. The timer underflow interrupt is enabled with the TxENA control flag. When a TxA interrupt occurs in the Input Capture mode, the user must check both the TxPNDA and TxCO pending flags in order to determine whether a TxA input capture or a timer underflow (or both) caused the interrupt.

Figure 9 shows a block diagram of the timer in Input Capture mode.



TL/DD/12065-10

FIGURE 9. Timer in Input Capture Mode

Timers (Continued)

TIMER CONTROL FLAGS

The timers T1 and T2 have identical control structures. The control bits and their functions are summarized below.

TxC0	Timer Start/Stop control in Modes 1 and 2 (Processor Independent PWM and External Event Counter), where 1 = Start, 0 = Stop Timer Underflow Interrupt Pending Flag in Mode 3 (Input Capture)
TxPND A	Timer Interrupt Pending Flag
TxPND B	Timer Interrupt Pending Flag
TxENA	Timer Interrupt Enable Flag
TxENB	Timer Interrupt Enable Flag 1 = Timer Interrupt Enabled 0 = Timer Interrupt Disabled
TxC3	Timer mode control
TxC2	Timer mode control
TxC1	Timer mode control

The timer mode control bits (TxC3, TxC2 and TxC1) are detailed below:

Capture Timer

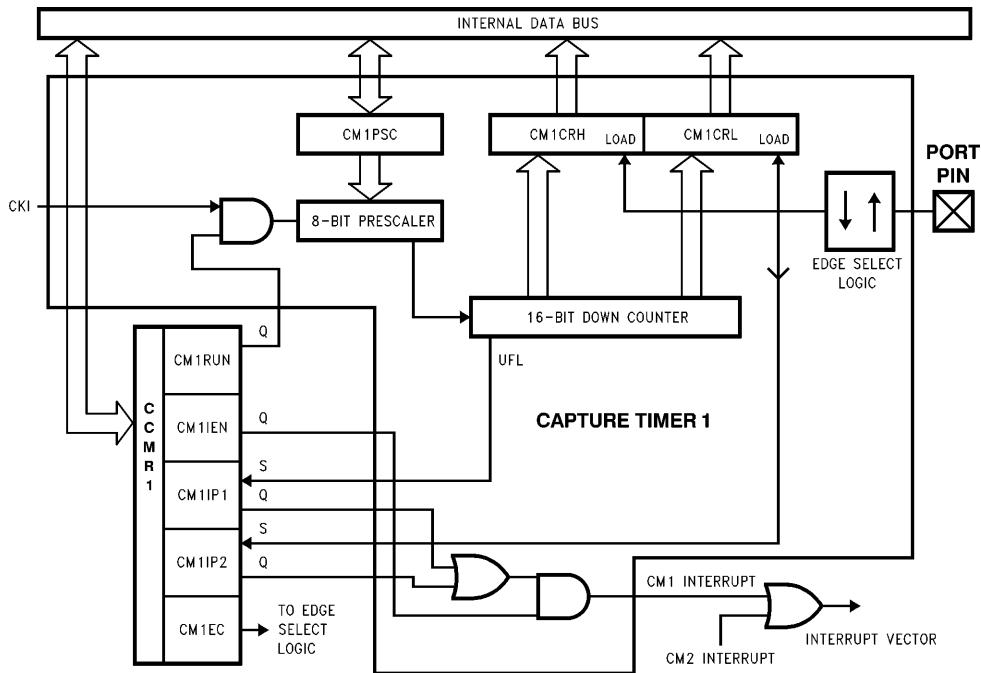
This device contains two independent capture timers, Capture Timer 1 and Capture Timer 2. Each capture timer contains an 8-bit programmable prescaler register, a 16-bit down counter, a 16-bit input capture register, and capture edge select logic. The 16-bit down counter is clocked at a specific frequency determined by the value loaded into the prescaler register. A selected positive or negative edge transition on the capture input causes the contents of the down counter to be latched into the capture register. The values captured in the registers reflect the elapsed time between two positive or two negative transitions on the capture input. The time between a positive and negative edge (a pulse width) may be measured if the selected capture edge is switched after the first edge is captured. Each capture timer may be stopped/started under software control, and each capture timer may be configured to interrupt the microcontroller on an underflow or input capture.

Figure 10 shows the capture timer 1 block diagram.

TABLE II. Timer Mode Control

TxC3	TxC2	TxC1	Timer Mode	Interrupt A Source	Interrupt B Source	Timer Counts On
0	0	0	MODE 2 (External Event Counter)	Timer Underflow	Positive TxB Edge	TxA Positive Edge
0	0	1	MODE 2 (External Event Counter)	Timer Underflow	Positive TxB Edge	TxA Negative Edge
1	0	1	MODE 1 (PWM) TxA Toggle	Autoreload RA	Autoreload RB	t_c
1	0	0	MODE 1 (PWM) No TxA Toggle	Autoreload RA	Autoreload RB	t_c
0	1	0	MODE 3 (Capture) Captures: TxA Positive Edge TxB Positive Edge	Positive TxA Edge or Timer Underflow	Positive TxB Edge	t_c
1	1	0	MODE 3 (Capture) Captures: TxA Positive Edge TxB Negative Edge	Positive TxA Edge or Timer Underflow	Negative TxB Edge	t_c
0	1	1	MODE 3 (Capture) Captures: TxA Negative Edge TxB Positive Edge	Negative TxA Edge or Timer Underflow	Positive TxB Edge	t_c
1	1	1	MODE 3 (Capture) Captures: TxA Negative Edge TxB Negative Edge	Negative TxA Edge or Timer Underflow	Negative TxB Edge	t_c

Timers (Continued)



TL/DD/12065-11

FIGURE 10. Capture Timer 1 Block Diagram

The registers shown in the block diagram include those for Capture Timer 1 (CM1), as well as, the capture timer 1 control register. These registers are read/writable (with the exception of the capture registers, which are read-only) and may be accessed through the data memory address/data bus. The registers are designated as:

CM1PSC	Capture Timer 1 Prescaler (8-bit)
CM1CRL	Capture Timer 1 Capture Register (Low-byte), read-only
CM1CRH	Capture Timer 1 Capture Register (High-byte), read-only
CM2PSC	Capture Timer 2 Prescaler (8-bit)
CM2CRL	Capture Timer 2 Capture Register (Low-byte), read-only
CM2CRH	Capture Timer 2 Capture Register (High-byte), read-only
CCMR1	Control Register for Capture Timer 1
CCMR2	Control Register for Capture Timer 2

CONTROL REGISTER BITS

The control bits for Capture Timer 1 (CM1) and Capture Timer 2 (CM2) are contained in CCMR1 and CCMR2.

The CCMR1 Register Bits are:

CM1RUN	CM1 start/stop control bit (1 = start; 0 = stop)
CM1IEN	CM1 interrupt enable control bit (1 = enable IRQ)
CM1IP1	CM1 interrupt pending bit 1 (1 = CM1 underflowed)
CM1IP2	CM1 interrupt pending bit 2 (1 = CM1 captured)
CM1EC	Select the active edge for capture on CM1 (0 = rising, 1 = falling)
CM1TM	CM1 test mode control bit (1 = special test path in test mode. This bit is reserved during normal operation, and must never be set to one.)

CM1 TM	un-used	un-used	CM1 EC	CM1 IP2	CM1 IP1	CM1 IEN	CM1 RUN
Bit 7							Bit 0

All interrupt pending bits must be reset by software.

Timers (Continued)

The CCMR2 Register Bits are:

- CM2RUN CM2 start/stop control bit (1 = start; 0 = stop)
- CM2IEN CM2 interrupt enable control bit (1 = enable IRQ)
- CM2IP1 CM2 interrupt pending bit 1 (1 = CM2 underflowed)
- CM2IP2 CM2 interrupt pending bit 2 (1 = CM2 captured)
- CM2EC Select the active edge for capture on CM2 (0 = rising, 1 = falling)
- CM2TM CM2 test mode control bit (1 = special test path in test mode. This bit is reserved during normal operation, and must never be set to one.)

CM2 TM	un- used	un- used	CM2 EC	CM2 IP2	CM2 IP1	CM2 IEN	CM RUN
Bit 7							Bit 0

All interrupt pending bits must be reset by software.

FUNCTIONAL DESCRIPTION

The capture timer is used to determine the time between events, where an event is simply a selected edge transition on the capture input. The resolution of the time measurement is dependent on the frequency at which the down counter is clocked. The value loaded into the prescaler controls this frequency.

The prescaler is clocked by CKI, while the down counter is clocked on every underflow of the prescaler. This means the prescaler simply divides the CKI clock before it is fed into the down counter. The prescaler register must be loaded with a value corresponding to the CKI divisor needed to produce the desired down counter clock. The appropriate prescaler value can be determined using the following equation:

$$\text{Down Counter Clock Frequency} = \text{CKI} / (\text{CMxPSC} + 1)$$

The capture input signal is set up by configuring the port pin associated with the capture timer as an input. The edge select bit for the capture input is then set or reset according to the desired transition. If the pin is configured as an input, the appropriate external transition will cause a capture. If the pin is configured as an output, toggling the data register bit will cause a capture. If interrupts are used, the capture timer interrupt pending bits are cleared and the capture timer interrupt enable bit is set. Both interrupt sources, down counter underflow and input capture edge, are enabled/disabled with the same CMxIEN bit. The GIE bit must also be set to enable interrupts. The interrupt signals from the two capture timers are gated to a single 16-bit interrupt vector located at addresses 0xE6 and 0xE7.

The capture timer is started by writing a "1" to the capture timer start/stop bit. Setting this bit also enables the port pin to be the capture input to the capture timer. The internal prescaler is loaded with the contents of the prescaler register, and begins counting down. Setting the start/stop bit also loads the down counter with 0FFFF Hex. The prescaler is clocked by CKI. An underflow of the prescaler decrements the 16-bit down counter, and reloads the value from the prescaler register into the prescaler. Each additional underflow of the prescaler decrements the down counter, and reloads the prescaler from the prescaler register.

If a selected edge transition on the input capture pin occurs, the contents of the down counter are immediately latched into the capture register, the down counter is re-initialized to 0FFFF Hex, and the capture input pending flag is set. The prescaler counter is not loaded. (In order for an input transition to be guaranteed recognized, the signal on the capture input pin must have a low pulse width and a high pulse width of at least one CKI period.) If interrupts are enabled, the capture timer generates an interrupt. The prescaler and down counter continue to operate until a reset condition occurs or the capture timer start/stop bit is reset. The user must process capture interrupts faster than the capture input frequency, otherwise input captures may be lost or erroneous values may be read.

If the down counter underflows (changes state from 0000 to FFFF) before a capture input is detected, the underflow interrupt pending flag is set. If interrupts are enabled, the capture timer generates an interrupt.

The capture timer may be stopped at any time under software control by resetting the capture timer start/stop bit. A capture may occur before the start/stop bit is physically cleared, due to the fully asynchronous nature of the input capture signal. The user must ensure that the software handles this situation correctly. If the user wishes to process this capture and interrupts are being used, the capture timer interrupts should not be disabled prior to stopping the timer. If interrupts are not being used, the user should poll the capture timer pending bits after stopping the timer. If the user wishes to ignore this capture and interrupts are being used, the capture timer interrupt service routine should check that the timer is still running prior to processing capture interrupts. If the user is polling the pending flags, these flags should be cleared after the timer is stopped. The contents of the prescaler and down counter remain unchanged while the capture timer is stopped. The capture edge detect logic is disabled, and no capture takes place even if an external capture signal occurs. The capture timer may be restarted under software control by writing a "1" to the start/stop bit. This causes the prescaler and down counter to be re-initialized. The prescaler is loaded from the prescaler register, and the down counter is loaded with 0FFFF Hex.

RESET STATE

A reset signal applied to the counter block during normal operation has the following effects:

- Clear CCMR1 register
- Clear CCMR2 register
- CM1PSC, CMICRL, CM1CRH, CM2PSC, CM2CRL and CM2CRH are unaffected. (At power-on, the contents of these registers are undefined.)

The bi-directional port pins are initialized during reset as HI-Z inputs. Setting the start/stop bits connects the pins to the capture timers.

Timers (Continued)

INITIALIZATION

The user should perform the following initialization prior to starting the capture timer:

1. Reset the CMxRUN bit
2. Configure the corresponding Port bits as inputs
3. Set the edge control bits CMxEC
4. Reset CMxIP1 (CMxIP1 = 0)
5. Reset CMxIP2 (CMxIP2 = 0)
6. Load the 8-bit prescaler register CMxPSC with the desired value (from 0 to 255)
7. Set CMxIEN (if interrupts are to be used)
8. Set the Global Interrupt Enable (GIE) bit (if interrupts are to be used)
9. Set CMxRUN bit to start the capture timer

WARNING

In order to avoid erroneous interrupts, the capture timer interrupts must be disabled prior to setting/resetting the capture edge control bits (CMxEC). In addition, after selecting the interrupt edge, the pending flags must be reset before the capture interrupts are enabled or re-enabled. If the initialization sequence outlined above is followed each time the user alters the edge control bits, the user is guaranteed to avoid erroneous interrupts.

Pulse Train Generators

This device contains four independent pulse train generators. Each individual generator is controlled by a corresponding 16-bit counter. Each counter has a 16-bit prescaler and a 16-bit count register. Each counter may be configured to output a selected number of 50% duty cycle pulses. The contents of the prescaler determine the width of the output pulses, and the value of the count register determines the number of pulses. Each counter may be stopped/started under software control, and each counter may be configured to interrupt the microcontroller on an underflow.

Figure 11 shows the pulse train generator 1 block diagram.

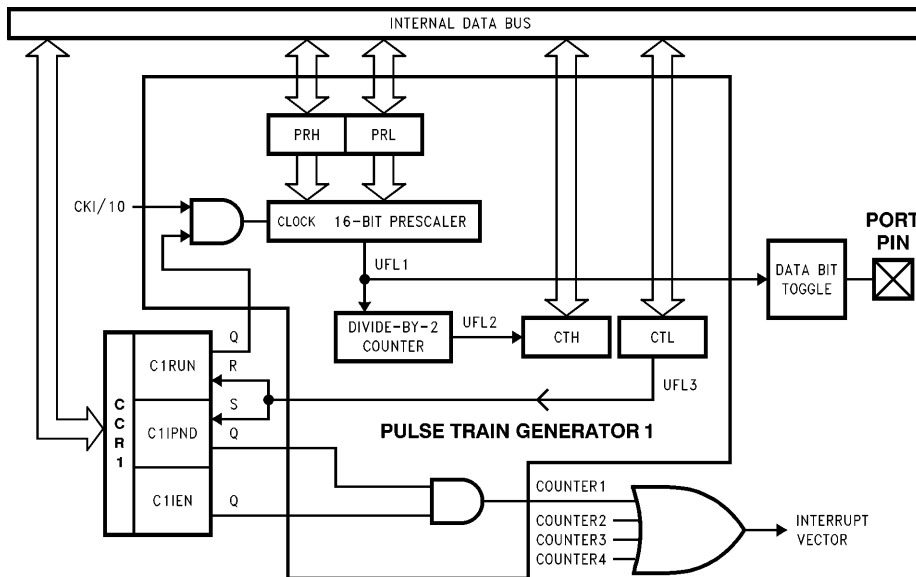


FIGURE 11. Pulse Train Generator 1 Block Diagram

TL/DD/12065-12

Pulse Train Generators (Continued)

The four 8-bit registers shown in each individual counter in the block diagram constitute a 16-bit prescaler and a 16-bit count register. These registers are all read/writable and may be accessed through the data memory address/data bus. The registers are designated as:

CxPRL Low-byte of the Prescaler

CxPRH High-byte of the Prescaler

CxCTL Low-byte of the Count Register

CxCTH High-byte of the Count Register

CONTROL REGISTER BITS

The control bits for Counter 1 and Counter 2 are contained in the CCR1 register. The CCR1 Register bits are:

C1RUN COUNTER1 start/stop control bit (1 = start; 0 = stop)

C1IEN COUNTER1 interrupt enable control bit (1 = enable IRQ)

C1IPND COUNTER1 interrupt pending bit (1 counter 1 underflowed)

C1TM COUNTER1 test mode control bit (1 = special test path in test mode. This bit is reserved during normal operation, and must never be set to one.)

C2RUN COUNTER2 start/stop control bit (1 = start; 0 = stop)

C2IEN COUNTER2 interrupt enable control bit (1 = enable IRQ)

C2IPND COUNTER2 interrupt pending bit (1 = counter 2 underflowed)

C2TM COUNTER2 test mode control bit (1 = special test path. This bit is reserved during normal operation, and must never be set to one.)

All interrupt pending bits must be reset by software.

C2TM	C2	C2	C2	C1TM	C1	C1	C1
	IPND	IEN	RUN		IPND	IEN	RUN
Bit 7				Bit 0			

The control bits for Counter 3 and Counter 4 are contained in the CCR2 register. The CCR2 Register bits are:

C3RUN COUNTER3 start stop control bit (1 = start; 0 = stop)

C3IEN COUNTER3 interrupt enable control bit (1 = enable IRQ)

C3IPND COUNTER3 interrupt pending Bit (1 = counter 3 underflowed)

C3TM COUNTER3 test mode control bit (1 = special test path. This bit is reserved during normal operation, and must never be set to one.)

C4RUN COUNTER4 start/stop control bit (1 = start; 0 = stop)

C4IEN COUNTER4 interrupt enable control bit (1 = enable IRQ)

C4IPND COUNTER4 interrupt pending bit (1 = counter 4 underflowed)

C4TM COUNTER4 test mode control bit (1 = special test path. This bit is reserved during normal operation, and must never be set to one.)

C4TM	C4	C4	C4	C3TM	C3	C3	C3
	IPND	IEN	RUN		IPND	IEN	RUN
Bit 7				Bit 0			

All interrupt pending bits must be reset by software.

FUNCTIONAL DESCRIPTION

The pulse train generator may be used to produce a series of output pulses of a given width. The high/low time of a pulse is determined by the contents of the prescaler. The number of pulses in a series is determined by the contents of the count register.

The prescaler is loaded with a value corresponding to the desired width of the output pulse (t_w). The high time and low time of the output signal are each equal to t_w , therefore the output signal produced has a 50% duty cycle and a period equal to $2 * t_w$. The appropriate prescaler value can be determined using the following equation:

$$t_w = [(PRH * 256) + PRL + 1] * t_c$$

Since PRH and PRL are both 8-bit registers, this equation allows a maximum t_w of $65536 t_c$ and a minimum t_w of one t_c . The internal prescaler is automatically loaded from PRH and PRL when the counter start/stop bit is set.

The count register is loaded with a value corresponding to the desired number of output pulses. The appropriate count value is calculated with the following equation:

$$\text{Number of Pulses} = CTH * 256 + CTL + 1$$

The port pin associated with the counter OUT signal is configured in software as an output, and preset to the desired start logic level. If interrupts are to be used, the counter interrupt pending bit is cleared and the interrupt enable bit is set. The GIE bit must also be set to enable interrupts. The interrupt signals from the four counters are gated to a single interrupt vector located at addresses 0xF0–0xF1.

The counter is started by writing a "1" to the counter start/stop bit. This resets the divide-by-2 counter which produces the clock signal for the counter register from the prescaler underflow (See *Figure 11*). It also reloads the internal prescaler and starts the prescaler counting down on the next rising edge of t_c . The prescaler is clocked on the rising edge of t_c to ensure synchronization. Each subsequent rising edge of t_c causes the prescaler to be decremented. When the prescaler underflows, UFL1 is generated (see *Figure 12*). This signal causes the port pin to toggle. In addition, the internal prescaler is reloaded with the value from the PRH and PRL registers. Each additional underflow of the prescaler causes the port pin to toggle and reloads the internal prescaler.

Every second underflow of the prescaler generates the signal UFL2. (UFL2 occurs at half the frequency of UFL1, or once per output pulse.) This signal, UFL2, decrements the count register. Therefore, the count registers are decremented once per output pulse.

Pulse Train Generators (Continued)

The underflow of the counter register produces the signal UFL3. This signal stops the counter by resetting the counter start/stop bit, and sets the counter interrupt pending flag. If the counter interrupt is enabled, an interrupt occurs.

The counter may be stopped at any time under software control by resetting the counter start/stop bit. The contents of the count register and the output on the associated port pin are frozen. The counter may be restarted under software control by setting the start/stop bit. The internal prescaler is automatically reloaded from PRH and PRL when the counter start/stop bit is set, therefore a full width pulse will be generated before the output is toggled. The user may also choose to alter the logic level on the port pin before restarting. This is done by initializing the associated port pin data register bit. A counter underflow may occur before the start/stop bit is physically cleared by software. The user must ensure that the software handles this situation correctly. If the user wishes to process this underflow and interrupts are being used, the counter interrupts should not be disabled prior to stopping the timer. If interrupts are not being used, the user should poll the counter pending bits after stopping the timer. If the user wishes to ignore this underflow and interrupts are being used, the counter interrupt should be disabled prior to stopping the timer. If the user is polling the pending flags, these flags should be cleared after the timer is stopped.

If the default level of the output pin is high (associated port data register bit is set to "1") and the counter is stopped during a low level, the low level becomes the default level. The software must reinitialize the port pin to a high level before restarting if necessary. The programmer may also have to adjust the counter value (See *Figure 12*).

RESET STATE

A reset signal applied to the pulse train generator block during normal operation has the following effects:

- Counting stops immediately
- Interrupt enable bit is reset to zero

- Counter start/stop bit is reset to zero
- Interrupt pending bit is reset to zero
- Test mode control bit is reset to zero
- PRL, PRH, CTL and CTH are unaffected (At power-on reset, the contents of the prescaler and count register are undefined.)
- Divide-by-2 counter is reset
- The bi-directional port pins are initialized during reset as HI-Z inputs. The appropriate bits must be initialized as outputs, in order to route the Counter OUT signals to the port pins.

INITIALIZATION

The user should perform the following initialization prior to starting the counter:

1. Load PRL register
2. Load PRH register
3. Load CTL register
4. Load CTH register
5. Reset CxIPND bit
6. Set CxIEN (if interrupt is to be used)
7. Configure the associated port bit as an output (if OUT is to be used)
8. Set the Global Interrupt Enable (GIE) bit (if interrupt is to be used)
9. Set CxRUN bit to start counter

Multiply/Divide

This device contains a multiply/divide block. This block supports a 1 byte x 2 bytes (3 bytes result) multiply or a 3 bytes/2 bytes (2 bytes result) divide operation. The multiply or divide operation is executed by setting control bits located in the multiply/divide control register. The multiply or divide operands must be placed into the appropriate memory mapped locations before the operation is initiated.

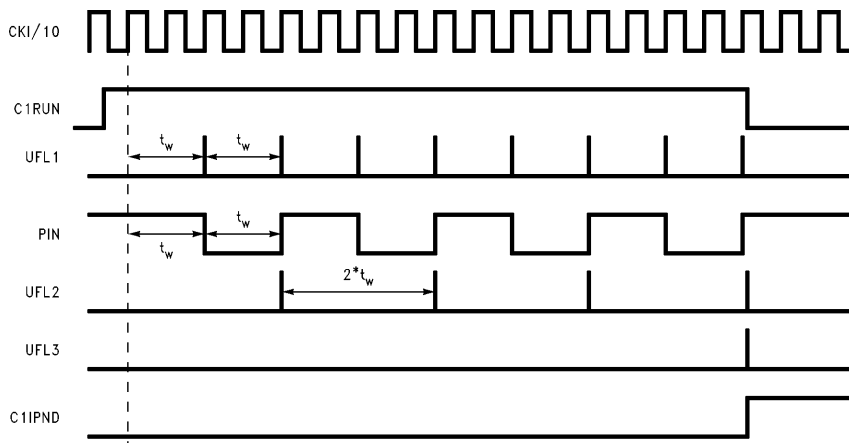


FIGURE 12. Timing Diagram for PRL = 1, PRH = 0, CTL = 3, CTH = 0

TL/DD/12065-13

Multiply/Divide (Continued)

TABLE III. Multiply/Divide Registers

Register Name (Address)	Multiplication Assignment		Division Assignment	
	Before Operation	After Operation	Before Operation	After Operation
MDR1 (xx98)	Unused	Unchanged	Low byte of dividend	Low byte of result
MDR2 (xx99)	Multiplier	Low byte of result	Middle byte of dividend	High byte of result
MDR3 (xx9A)		Middle byte of result	High byte of dividend	Undefined
MDR4 (xx9B)	Low byte of multiplicand	High byte of result	Low byte of divisor	Low byte of divisor
MDR5 (xx9C)	High byte of multiplicand	Unchanged	High byte of divisor	High byte of divisor

CONTROL REGISTER BITS

The Multiply/Divide control register (MDCR) is located at address xx9D. It has the following bit assignments:

MULT Start Multiplication Operation (1 = start)

DIV Start Division Operation (1 = start)

DIVOVF Division Overflow (if the result of a division is greater than 16 bits or the user attempted to divide by zero; 1 = error)

Rsvd	Rsvd	Rsvd	Rsvd	Rsvd	DIV OVF	DIV	MULT
------	------	------	------	------	------------	-----	------

Bit 7

Bit 0

After the appropriate MDR registers are loaded, the MULT and DIV start bits are set by the user to start a multiply or divide operation. The division operation has priority, if both bits are set simultaneously. The MULT and DIV bits are BOTH automatically cleared by hardware at the end of a divide or multiply operation. Each division operation causes the DIVOVF flag to be set/reset as appropriate. The DIVOVF flag is cleared following a multiplication operation. DIVOVF is a read-only bit. The MULT and DIV bits are read/writable. Bits 3-7 in MDCR should not be used, as the MULT and DIV operations will change their values.

MULTIPLY/DIVIDE OPERATION

For the multiply operation, the multiplicand is placed at addresses xx9B and xx9C. The multiplier is placed at address xx99. For the divide operation, the dividend is placed at addresses xx98 to xx9A and the divisor is placed at addresses xx9B to xx9C. In both operations, all operands are interpreted as unsigned values. The divide or multiply operation is started by setting the appropriate MDCR bit. If both the MULT and DIV bits are set, the microcontroller performs a divide operation. (The user is not required to read or clear the DIVOVF error bit prior to beginning a new multiply/divide operation. This bit is ignored during subsequent operations. However, the next divide operation will overwrite the error flag as appropriate, and the next multiply operation will clear it.)

The multiply operation requires 1 instruction cycle to complete. The divide operation requires 2 instruction cycles to complete. A divide by zero or a division which produces an overflow requires only 1 instruction cycle to execute. The MDR1 through MDR5 registers and the MDCR register can not be read from or written to during a multiply or divide operation. Any attempt to write into these registers will be ignored. Any attempt to read these registers will return undefined data.

The result of a multiply is placed in addresses xx99-xx9B. The result of a divide is placed in addresses xx98-xx99. If a division by zero is attempted or if the resulting quotient of a divide operation is more than 16 bits long, then the DIVOVF bit is set in the multiply/divide control register. The dividend and the divisor are left unchanged. The divide operation always causes the DIVOVF flag to be set or reset as appropriate. The DIVOVF flag is cleared following a multiply operation.

RESET STATE

A reset signal applied to the device during normal operation has the following effects:

MDCR is cleared, and any operation in progress is stopped. MDR1 through MDR5 are undefined.

Power Save Modes

The device offers the user two power save modes of operation: HALT and IDLE. In the HALT mode, all microcontroller activities are stopped. In the IDLE mode, the on-board oscillator circuitry and timer T0 are active but all other microcontroller activities are stopped. In either mode, all on-board RAM, registers, I/O states, and timers (with the exception of T0) are unaltered.

HALT MODE

The device can be placed in the HALT mode by writing a "1" to the HALT flag (G7 data bit). All microcontroller activities, including the clock and timers, are stopped. In the HALT mode, the power requirements of the device are minimal and the applied voltage (V_{CC}) may be decreased to V_f ($V_f = 2.0V$) without altering the state of the machine.

The device supports two different ways of exiting the HALT mode. The first method of exiting the HALT mode is with the Multi-Input Wakeup feature on the L port. The second method of exiting the HALT mode is by pulling the RESET pin low.

Since a crystal or ceramic resonator may be selected as the oscillator, the Wakeup signal is not allowed to start the chip running immediately since crystal oscillators and ceramic resonators have a delayed start up time to reach full amplitude and frequency stability. The IDLE timer is used to generate a fixed delay to ensure that the oscillator has indeed stabilized before allowing instruction execution. In this case, upon detecting a valid Wakeup signal, only the oscillator circuitry is enabled. The IDLE timer is loaded with a value of 256 and is clocked with the t_c instruction cycle clock. The t_c clock is derived by dividing the oscillator clock down by a

Power Save Modes (Continued)

factor of 10. The Schmitt trigger following the CKI inverter on the chip ensures that the IDLE timer is clocked only when the oscillator has a sufficiently large amplitude to meet the Schmitt trigger specifications. This Schmitt trigger is not part of the oscillator closed loop. The startup timeout from the IDLE timer enables the clock signals to be routed to the rest of the chip.

The devices have two mask options associated with the HALT mode. The first mask option enables the HALT mode feature, while the second mask option disables the HALT mode. With the HALT mode enable mask option, the device will enter and exit the HALT mode as described above. With the HALT disable mask option, the device cannot be placed in the HALT mode (writing a "1" to the HALT flag will have no effect, the HALT flag will remain "0").

IDLE MODE

The device is placed in the IDLE mode by writing a "1" to the IDLE flag (G6 data bit). In this mode, all activities, except the associated on-board oscillator circuitry and the IDLE Timer T0, are stopped.

As with the HALT mode, the device can be returned to normal operation with a reset, or with a Multi-Input Wake up from the L Port. Alternately, the microcontroller resumes normal operation from the IDLE mode when the thirteenth bit (representing 4.096 ms at internal clock frequency of 10 MHz, $t_c = 1 \mu s$) of the IDLE Timer toggles.

This toggle condition of the thirteenth bit of the IDLE Timer T0 is latched into the T0PND pending flag.

The user has the option of being interrupted with a transition on the thirteenth bit of the IDLE Timer T0. The interrupt can be enabled or disabled via the T0EN control bit. Setting the T0EN flag enables the interrupt and vice versa.

The user can enter the IDLE mode with the Timer T0 interrupt enabled. In this case, when the T0PND bit gets set, the device will first execute the Timer T0 interrupt service routine and then return to the instruction following the "Enter Idle Mode" instruction.

Alternatively, the user can enter the IDLE mode with the IDLE Timer T0 interrupt disabled. In this case, the device will resume normal operation with the instruction immediately following the "Enter Idle Mode" instruction.

Note: It is necessary to program two NOP instructions following both the set HALT mode and set IDLE mode instructions. These NOP instructions are necessary to allow clock resynchronization following the HALT or IDLE modes.

Multi-Input Wakeup

The Multi-Input Wake Up feature is used to return (wake up) the device from either the HALT or IDLE modes. Alternately Multi-Input Wake Up/Interrupt feature may also be used to generate up to 8 edge selectable external interrupts.

Figure 13 shows the Multi-Input Wake Up logic.

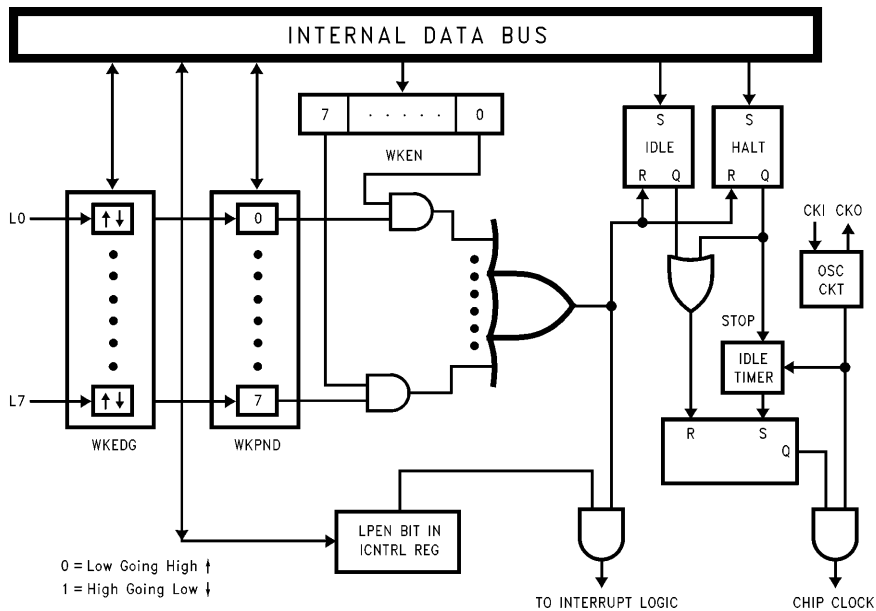


FIGURE 13. Multi-Input Wake Up Logic

Multi-Input Wakeup (Continued)

The Multi-Input Wake Up feature utilizes the L Port. The user selects which particular L port bit (or combination of L Port bits) will cause the device to exit the HALT or IDLE modes. The selection is done through the register WKEN. The register WKEN is an 8-bit read/write register, which contains a control bit for every L port bit. Setting a particular WKEN bit enables a Wake Up from the associated L port pin.

The user can select whether the trigger condition on the selected L Port pin is going to be either a positive edge (low to high transition) or a negative edge (high to low transition). This selection is made via the register WKEDG, which is an 8-bit control register with a bit assigned to each L Port pin. Setting the control bit will select the trigger condition to be a negative edge on that particular L Port pin. Resetting the bit selects the trigger condition to be a positive edge. Changing an edge select entails several steps in order to avoid a Wake Up condition as a result of the edge change. First, the associated WKEN bit should be reset, followed by the edge select change in WKEDG. Next, the associated WKPND bit should be cleared, followed by the associated WKEN bit being reenabled.

An example may serve to clarify this procedure. Suppose we wish to change the edge select from positive (low going high) to negative (high going low) for L Port bit 5, where bit 5 has previously been enabled for an input interrupt. The program would be as follows:

```
RBIT 5, WKEN
SBIT 5, WKEDG
RBIT 5, WKPND
SBIT 5, WKEN
```

If the L port bits have been used as outputs and then changed to inputs with Multi-Input Wake Up/Interrupt, a safety procedure should also be followed to avoid wakeup conditions. After the selected L port bits have been changed from output to input but before the associated WKEN bits are enabled, the associated edge select bits in WKEDG should be set or reset for the desired edge selects, followed by the associated WKPND bits being cleared.

This same procedure should be used following reset, since the L port inputs are left floating as a result of reset.

The occurrence of the selected trigger condition for Multi-Input Wake Up is latched into a pending register called WKPND. The respective bits of the WKPND register will be set on the occurrence of the selected trigger edge on the corresponding Port L pin. The user has the responsibility of clearing these pending flags. Since WKPND is a pending register for the occurrence of selected wake up conditions, the device will not enter the HALT mode if any Wake Up bit is both enabled and pending. Consequently, the user must clear the pending flags before attempting to enter the HALT mode.

WKEN, WKPND and WKEDG are all read/write registers, and are cleared at reset.

PORT L INTERRUPTS

Port L provides the user with an additional eight fully selectable, edge sensitive interrupts which are all vectored into the same service subroutine.

The interrupt from Port L shares logic with the wake up circuitry. The register WKEN allows interrupts from Port L to be individually enabled or disabled. The register WKEDG specifies the trigger condition to be either a positive or a negative edge. Finally, the register WKPND latches in the pending trigger conditions.

The GIE (Global Interrupt Enable) bit enables the interrupt function.

A control flag, LPEN, functions as a global interrupt enable for Port L interrupts. Setting the LPEN flag will enable interrupts and vice versa. A separate global pending flag is not needed since the register WKPND is adequate.

Since Port L is also used for waking the device out of the HALT or IDLE modes, the user can elect to exit the HALT or IDLE modes either with or without the interrupt enabled. If he elects to disable the interrupt, then the device will restart execution from the instruction immediately following the instruction that placed the microcontroller in the HALT or IDLE modes. In the other case, the device will first execute the interrupt service routine and then revert to normal operation. (See HALT MODE for clock option wake up information.)

UART

The device contains a full-duplex software programmable UART. The UART (*Figure 14*) consists of a transmit shift register, a receive shift register and seven addressable registers, as follows: a transmit buffer register (TBUF), a receiver buffer register (RBUF), a UART control and status register (ENU), a UART receive control and status register (ENUR), a UART interrupt and clock source register (ENUI), a prescaler select register (PSR) and baud (BAUD) register. The ENU register contains flags for transmit and receive functions; this register also determines the length of the data frame (7, 8 or 9 bits), the value of the ninth bit in transmission, and parity selection bits. The ENUR register flags

framing, data overrun and parity errors while the UART is receiving.

Other functions of the ENUR register include saving the ninth bit received in the data frame, enabling or disabling the UART's attention mode of operation and providing additional receiver/transmitter status information via RCVG and XMTG bits. The determination of an internal or external clock source is done by the ENUI register, as well as selecting the number of stop bits and enabling or disabling transmit and receive interrupts. A control flag in this register can also select the UART mode of operation: asynchronous or synchronous.

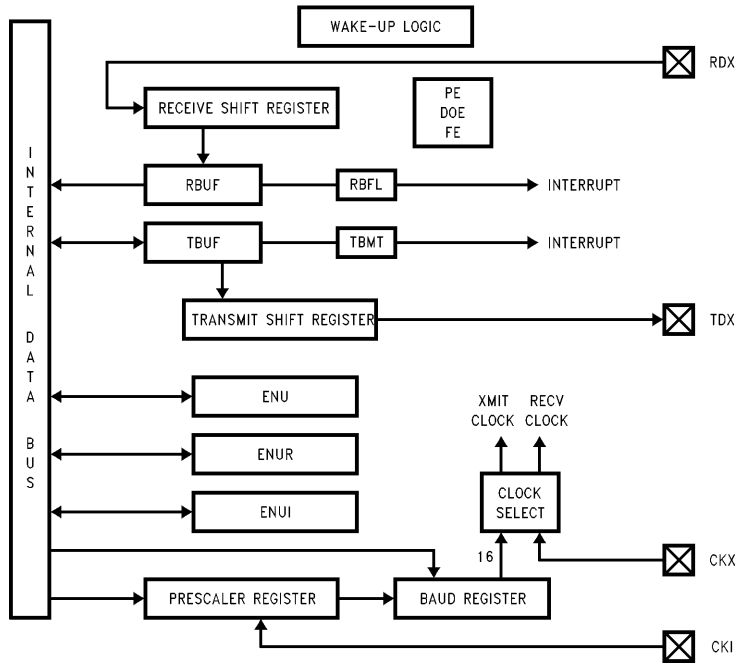


FIGURE 14. UART Block Diagram

TL/DD/12065-16

UART (Continued)

UART CONTROL AND STATUS REGISTERS

The operation of the UART is programmed through three registers: ENU, ENUR and ENUI. The function of the individual bits in these registers is as follows:

ENU-UART Control and Status Register (Address at 0BA)

PEN	PSEL1	XBIT9/ PSEL0	CHL1	CHL0	ERR	RBFL	TBMT
0RW	0RW	0RW	0RW	0RW	0R	0R	IR

Bit 7

Bit 0

ENUR-UART Receive Control and Status Register (Address at 0BB)

DOE	FE	PE	SPARE	RBIT9	ATTN	XMTG	RCVG
0RD	0RD	0RD	0RW*	0R	0RW	0R	0R

Bit 7

Bit 0

ENUI-UART Interrupt and Clock Source Register (Address at 0BC)

STP2	STP78	ETDX	SSEL	XRCLK	XTCLK	ERI	ETI
0RW	0RW	0RW	0RW	0RW	0RW	0RW	0RW

Bit 7

Bit 0

* Bit is not used.

0 Bit is cleared on reset.

1 Bit is set to one on reset.

R Bit is read-only; it cannot be written by software.

RW Bit is read/write.

D Bit is cleared on read; when read by software as a one, it is cleared automatically. Writing to the bit does not affect its state.

DESCRIPTION OF UART REGISTER BITS

ENU—UART CONTROL AND STATUS REGISTER

TBMT: This bit is set when the UART transfers a byte of data from the TBUF register into the TSFT register for transmission. It is automatically reset when software writes into the TBUF register.

RBFL: This bit is set when the UART has received a complete character and has copied it into the RBUF register. It is automatically reset when software reads the character from RBUF.

ERR: This bit is a global UART error flag which gets set if any or a combination of the errors (DOE, FE, PE) occur.

CHL1, CHL0: These bits select the character frame format. Parity is not included and is generated/verified by hardware.

CHL1 = 0, CHL0 = 0 The frame contains eight data bits.

CHL1 = 0, CHL0 = 1 The frame continues seven data bits.

CHL1 = 1, CHL0 = 0 The frame continues nine data bits.

CHL1 = 1, CHL0 = 1 Loopback Mode selected. Transmitter output internally looped back to receiver input. Nine bit framing format is used.

XBIT9/PSEL0: Programs the ninth bit for transmission when the UART is operating with nine data bits per frame. For seven or eight data bits per frame, this bit in conjunction with PSEL1 selects parity.

PSEL1, PSEL0: Parity select bits.

PSEL1 = 0, PSEL0 = 0 Odd Parity (if Parity enabled)

PSEL1 = 0, PSEL1 = 1 Odd Parity (if Parity enabled)

PSEL1 = 1, PSEL0 = 0 Mark(1) (if Parity enabled)

PSEL1 = 1, PSEL1 = 1 Space(0) (if Parity enabled)

PEN: This bit enables/disables Parity (7- and 8-bit modes only).

PEN = 0 Parity disabled.

PEN = 1 Parity enabled.

ENUR—UART RECEIVE CONTROL AND STATUS REGISTER

RCVG: This bit is set high whenever a framing error occurs and goes low when RDX goes high.

XMTG: This bit is set to indicate that the UART is transmitting. It gets reset at the end of the last frame (end of last Stop bit).

ATTN: ATTENTION Mode is enabled while this bit is set. This bit is cleared automatically on receiving a character with data bit nine set.

RBIT9: Contains the ninth data bit received when the UART is operating with nine data bits per frame.

SPARE: Reserved for future use.

PE: Flags a Parity Error.

PE = 0 Indicates no Parity Error has been detected since the last time the ENUR register was read.

PE = 1 Indicates the occurrence of a Parity Error.

FE: Flags a Framing Error.

FE = 0 Indicates no Framing Error has been detected since the last time the ENUR register was read.

FE = 1 Indicates the occurrence of a Framing Error.

DOE: Flags a Data Overrun Error.

DOE = 0 Indicates no Data Overrun Error has been detected since the last time the ENUR register was read.

DOE = 1 Indicates the occurrence of a Data Overrun Error.

ENUI—UART INTERRUPT AND CLOCK SOURCE REGISTER

ETI: This bit enables/disables interrupt from the transmitter section.

ETI = 0 Interrupt from the transmitter is disabled.

ETI = 1 Interrupt from the transmitter is enabled.

ERI: This bit enables/disables interrupt from the receiver section.

UART (Continued)

ERI = 0 Interrupt from the receiver is disabled.

ERI = 1 Interrupt from the receiver is enabled.

XTCLK: This bit selects the clock source for the transmitter section.

XTCLK = 0 The clock source is selected through the PSR and BAUD registers.

XTCLK = 1 Signal on CKX (L1) pin is used as the clock.

XRCLK: This bit selects the clock source for the receiver section.

XRCLK = 0 The clock source is selected through the PSR and BAUD registers.

XRCLK = 1 Signal on CKX (L1) pin is used as the clock.

SSEL: UART mode select.

SSEL = 0 Asynchronous Mode.

SSEL = 1 Synchronous Mode.

ETDX: TDX (UART Transmit Pin) is the alternate function assigned to Port L pin L2; it is selected by setting ETDX bit. To simulate line break generation, software should reset ETDX bit and output logic zero to TDX pin through Port L data and configuration registers.

STP78: This bit is set to program the last Stop bit to be 7/8th of a bit in length.

STP2: This bit programs the number of Stop bits to be transmitted.

STP2 = 0 One Stop bit transmitted.

STP2 = 1 Two Stop bits transmitted.

Associated I/O Pins

Data is transmitted on the TDX pin and received on the RDX pin. TDX is the alternate function assigned to Port L pin L2; it is selected by setting ETDX (in the ENUI register) to one. RDX is an inherent function of Port L pin L3, requiring no setup.

The baud rate clock for the UART can be generated on-chip, or can be taken from an external source. Port L pin L1 (CKX) is the external clock I/O pin. The CKX pin can be either an input or an output, as determined by Port L Configuration and Data registers (Bit 1). As an input, it accepts a clock signal which may be selected to drive the transmitter and/or receiver. As an output, it presents the internal Baud Rate Generator output.

UART Operation

The UART has two modes of operation: asynchronous mode and synchronous mode.

ASYNCHRONOUS MODE

This mode is selected by resetting the SSEL (in the ENUI register) bit to zero. The input frequency to the UART is 16 times the baud rate.

The TSFT and TBUF registers double-buffer data for transmission. While TSFT is shifting out the current character on the TDX pin, the TBUF register may be loaded by software with the next byte to be transmitted. When TSFT finishes transmitting the current character the contents of TBUF are transferred to the TSFT register and the Transmit Buffer Empty Flag (TBMT in the ENU register) is set. The TBMT

flag is automatically reset by the UART when software loads a new character into the TBUF register. There is also the XMTG bit which is set to indicate that the UART is transmitting. This bit gets reset at the end of the last frame (end of last Stop bit). TBUF is a read/write register.

The RSFT and RBUF registers double-buffer data being received. The UART receiver continually monitors the signal on the RDX pin for a low level to detect the beginning of a Start bit. Upon sensing this low level, it waits for half a bit time and samples again. If the RDX pin is still low, the receiver considers this to be a valid Start bit, and the remaining bits in the character frame are each sampled a single time, at the mid-bit position. Serial data input on the RDX pin is shifted into the RSFT register. Upon receiving the complete character, the contents of the RSFT register are copied into the RBUF register and the Received Buffer Full Flag (RBFL) is set. RBFL is automatically reset when software reads the character from the RBUF register. RBUF is a read only register. There is also the RCVG bit which is set high when a framing error occurs and goes low once RDX goes high. TBMT, XMTG, RBFL and RCVG are read only bits.

SYNCHRONOUS MODE

In this mode data is transferred synchronously with the clock. Data is transmitted on the rising edge and received on the falling edge of the synchronous clock.

This mode is selected by setting SSEL bit in the ENUI register. The input frequency to the UART is the same as the baud rate.

When an external clock input is selected at the CKX pin, data transmit and receive are performed synchronously with this clock through TDX/RDX pins.

If data transmit and receive are selected with the CKX pin as clock output, the device generates the synchronous clock output at the CKX pin. The internal baud rate generator is used to produce the synchronous clock. Data transmit and receive are performed synchronously with this clock.

FRAMING FORMATS

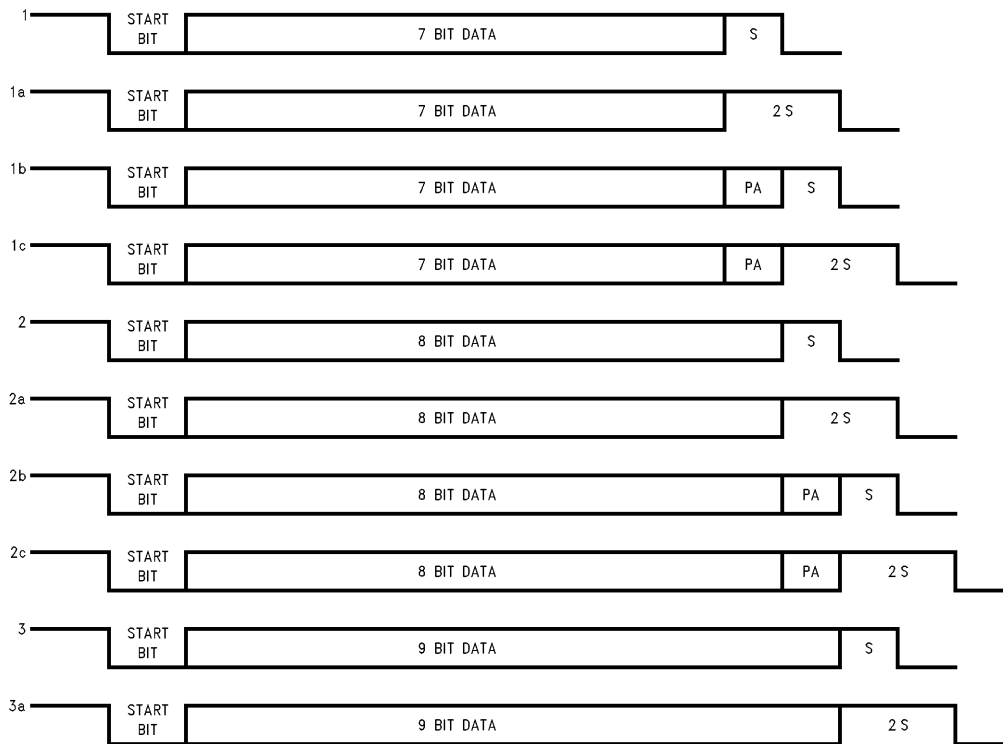
The UART supports several serial framing formats (*Figure 15*). The format is selected using control bits in the ENU, ENUR and ENUI registers.

The first format (1,1a, 1b, 1c) for data transmission (CHL0 = 1, CHL1 = 0) consists of Start bit, seven Data bits (excluding parity) and 7/8, one or two Stop bits. In applications using parity, the parity bit is generated and verified by hardware.

The second format (CHL0 = 0, CHL1 = 0) consists of one Start bit, eight Data bits (excluding parity) and 7/8, one or two Stop bits. Parity bit is generated and verified by hardware.

The third format for transmission (CHL0 = 0, CHL1 = 1) consists of one Start bit, nine Data bits and 7/8, one or two Stop bits. This format also supports the UART "ATTENTION" feature. When operating in this format, all eight bits of TBUF and RBUF are used for data. The ninth data bit is transmitted and received using two bits in the ENU and ENUR registers, called XBIT9 and RBIT9. RBIT9 is a read only bit. Parity is not generated or verified in this mode.

UART Operation (Continued)



TL/DD/12065-17

FIGURE 15. Framing Formats

For any of the above framing formats, the last Stop bit can be programmed to be 7/8th of a bit in length. If two Stop bits are selected and the 7/8th bit is set (selected), the second Stop bit will be 7/8th of a bit in length.

The parity is enabled/disabled by PEN bit located in the ENU register. Parity is selected for 7- and 8-bit modes only. If parity is enabled (PEN = 1), the parity selection is then performed by PSEL0 and PSEL1 bits located in the ENU register.

Note that the XBIT9/PSEL0 bit located in the ENU register serves two mutually exclusive functions. This bit programs the ninth bit for transmission when the UART is operating with nine data bits per frame. There is no parity selection in this framing format. For other framing formats XBIT9 is not needed and the bit is PSEL0 used in conjunction with PSEL1 to select parity.

The frame formats for the receiver differ from the transmitter in the number of Stop bits required. The receiver only requires one Stop bit in a frame, regardless of the setting of the Stop bit selection bits in the control register. Note that an implicit assumption is made for full duplex UART operation that the framing formats are the same for the transmitter and receiver.

UART INTERRUPTS

The UART is capable of generating interrupts. Interrupts are generated on Receive Buffer Full and Transmit Buffer Empty. Both interrupts have individual interrupt vectors. Two

bytes of program memory space are reserved for each interrupt vector. The two vectors are located at addresses 0xEC to 0xEF Hex in the program memory space. The interrupts can be individually enabled or disabled using Enable Transmit Interrupt (ETI) and Enable Receive Interrupt (ERI) bits in the ENU register.

The interrupt from the Transmitter is set pending, and remains pending, as long as both the TBMT and ETI bits are set. To remove this interrupt, software must either clear the ETI bit or write to the TBUF register (thus clearing the TBMT bit).

The interrupt from the receiver is set pending, and remains pending, as long as both the RBFL and ERI bits are set. To remove this interrupt, software must either clear the ERI bit or read from the RBUF register (thus clearing the RBFL bit).

Baud Clock Generation

The clock inputs to the transmitter and receiver sections of the UART can be individually selected to come either from an external source at the CKX pin (port L, pin L1) or from a source selected in the PSR and BAUD registers. Internally, the basic baud clock is created from the oscillator frequency through a two-stage divider chain consisting of a 1-16 (increments of 0.5) prescaler and an 11-bit binary counter (Figure 16). The divide factors are specified through two read/write registers shown in Figure 17. Note that the 11-bit Baud Rate Divisor spills over into the Prescaler Select Register (PSR). PSR is cleared upon reset.

Baud Clock Generation (Continued)

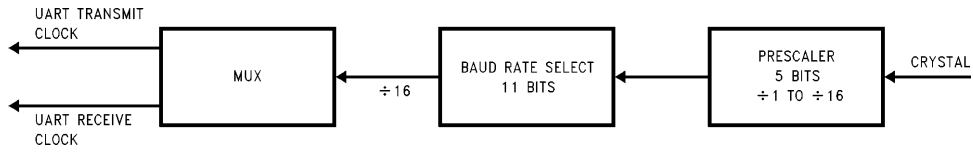


FIGURE 16. UART BAUD Clock Generation

TL/DD/12065-18

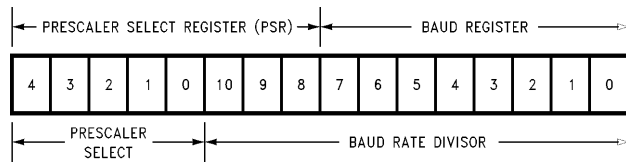


FIGURE 17. UART BAUD Clock Divisor Registers

TL/DD/12065-19

Baud Clock Generation (Continued)

As shown in Table V, a Prescaler Factor of 0 corresponds to NO CLOCK. This condition is the UART power down mode where the UART clock is turned off for power saving purpose. The user must also turn the UART clock off when a different baud rate is chosen.

The correspondences between the 5-bit Prescaler Select and Prescaler factors are shown in Table V. There are many ways to calculate the two divisor factors, but one particularly effective method would be to achieve a 1.8432 MHz frequency coming out of the first stage. The 1.8432 MHz prescaler output is then used to drive the software programmable baud rate counter to create a 16x clock for the following baud rates: 110, 134.5, 150, 300, 600, 1200, 1800, 2400, 3600, 4800, 7200, 9600, 19200 and 38400 (Table IV). Other baud rates may be created by using appropriate divisors. The 16x clock is then divided by 16 to provide the rate for the serial shift registers of the transmitter and receivers.

**TABLE IV. Baud Rate Divisors
(1.8432 MHz Prescaler Output)**

Baud Rate	Baud Rate Divisor – 1 (N-1)
110 (110.03)	1046
134.5 (134.58)	855
150	767
300	383
600	191
1200	95
1800	63
2400	47
3600	31
4800	23
7200	15
9600	11
19200	5
38400	2

Note: The entries in Table IV assume a prescaler output of 1.8432 MHz. In asynchronous mode the baud rate could be as high as 625k.

TABLE V. Prescaler Factors

Prescaler Select	Prescaler Factor
00000	NO CLOCK
00001	1
00010	1.5
00011	2
00100	2.5
00101	3
00110	3.5
00111	4
01000	4.5
01001	5
01010	5.5
01011	6
01100	6.5
01101	7
01110	7.5
01111	8
10000	8.5
10001	9
10010	9.5
10011	10
10100	10.5
10101	11
10110	11.5
10111	12
11000	12.5
11001	13
11010	13.5
11011	14
11100	14.5
11101	15
11110	15.5
11111	16

Baud Clock Generation (Continued)

As an example, considering Asynchronous Mode and a CKI clock of 4.608 MHz, the prescaler factor selected is:

$$4.608/1.8432 = 2.5$$

The 2.5 entry is available in Table V. The 1.8432 MHz prescaler output is then used with proper Baud Rate Divisor (Table V) to obtain different baud rates. For a baud rate of 19200 e.g., the entry in Table IV is 5.

$$N - 1 = 5 \text{ (N - 1 is the value from Table IV)}$$

$$N = 6 \text{ (N is the Baud Rate Divisor)}$$

$$\text{Baud Rate} = 1.8432 \text{ MHz}/(16 \times 6) = 19200$$

The divide by 16 is performed because in the asynchronous mode, the input frequency to the UART is 16 times the baud rate. The equation to calculate baud rates is given below.

The actual Baud Rate may be found from:

$$\text{BR} = \text{Fc}/(16 \times \text{N} \times \text{P})$$

Where:

BR is the Baud Rate

Fc is the CKI frequency

N is the Baud Rate Divisor (Table IV).

P is the Prescaler Divide Factor selected by the value in the Prescaler Select Register (Table V)

Note: In the Synchronous Mode, the divisor 16 is replaced by two.

Example:

Asynchronous Mode:

$$\text{Crystal Frequency} = 5 \text{ MHz}$$

$$\text{Desired baud rate} = 9600$$

Using the above equation $N \times P$ can be calculated first.

$$N \times P = (5 \times 106)/(16 \times 9600) = 32.552$$

Now 32.552 is divided by each Prescaler Factor (Table V) to obtain a value closest to an integer. This factor happens to be 6.5 ($P = 6.5$).

$$N = 32.552/6.5 = 5.008 \text{ (N} = 5\text{)}$$

The programmed value (from Table IV) should be 4 ($N - 1$).

Using the above values calculated for N and P:

$$\text{BR} = (5 \times 106)/(16 \times 5 \times 6.5) = 9615.384$$

$$\% \text{ error} = (9615.384 - 9600)/9600 = 0.16$$

Effect of HALT/IDLE

The UART logic is reinitialized when either the HALT or IDLE modes are entered. This reinitialization sets the TBMT flag and resets all read only bits in the UART control and status registers. Read/Write bits remain unchanged. The Transmit Buffer (TBUF) is not affected, but the Transmit Shift register (TSFT) bits are set to one. The receiver registers RBUF and RSFT are not affected.

The device will exit from the HALT/IDLE modes when the Start bit of a character is detected at the RDX (L3) pin. This feature is obtained by using the Multi-Input Wakeup scheme provided on the device.

Before entering the HALT or IDLE modes the user program must select the Wakeup source to be on the RDX pin. This selection is done by setting bit 3 of WKEN (Wakeup Enable) register. The Wakeup trigger condition is then selected to be high to low transition. This is done via the WKEDG register (Bit 3 is "one").

If the device is halted and crystal oscillator is used, the Wake Up signal will not start the chip running immediately because of the finite start up time requirement of the crystal oscillator. The idle timer (T0) generates a fixed ($256 t_c$) delay to ensure that the oscillator has indeed stabilized before allowing the device to execute code. The user has to consider this delay when data transfer is expected immediately after exiting the HALT mode.

Diagnostic

Bits CHARL0 and CHARL1 in the ENU register provide a loopback feature for diagnostic testing of the UART. When these bits are set to one, the following occur: The receiver input pin (RDX) is internally connected to the transmitter output pin (TDX); the output of the Transmitter Shift Register is "looped back" into the Receive Shift Register input. In this mode, data that is transmitted is immediately received. This feature allows the processor to verify the transmit and receive data paths of the UART.

Note that the framing format for this mode is the nine bit format; one Start bit, nine data bits, and 7/8, one or two Stop bits. Parity is not generated or verified in this mode.

Attention Mode

The UART Receiver section supports an alternate mode of operation, referred to as ATTENTION Mode. This mode of operation is selected by the ATTN bit in the ENUR register. The data format for transmission must also be selected as having nine Data bits and either 7/8, one or two Stop bits.

The ATTENTION mode of operation is intended for use in networking the device with other processors. Typically in such environments the messages consists of device addresses, indicating which of several destinations should receive them, and the actual data. This Mode supports a scheme in which addresses are flagged by having the ninth bit of the data field set to a 1. If the ninth bit is reset to a zero the byte is a Data byte.

While in ATTENTION mode, the UART monitors the communication flow, but ignores all characters until an address character is received. Upon receiving an address character, the UART signals that the character is ready by setting the RBFL flag, which in turn interrupts the processor if UART Receiver interrupts are enabled. The ATTN bit is also cleared automatically at this point, so that data characters as well as address characters are recognized. Software examines the contents of the RBUF and responds by deciding either to accept the subsequent data stream (by leaving the ATTN bit reset) or to wait until the next address character is seen (by setting the ATTN bit again).

Operation of the UART Transmitter is not affected by selection of this Mode. The value of the ninth bit to be transmitted is programmed by setting XBIT9 appropriately. The value of the ninth bit received is obtained by reading RBIT9. Since this bit is located in ENUR register where the error flags reside, a bit operation on it will reset the error flags.

Interrupts

The device supports a vectored interrupt scheme. It supports a total of fourteen interrupt sources. Table VI lists all the possible device interrupt sources, their arbitration rankings and the memory locations reserved for the interrupt vector for each source.

Two bytes of program memory space are reserved for each interrupt source. All interrupt sources except the software interrupt are maskable. Each of the maskable interrupts have an Enable bit and one or more Pending bits. A maskable interrupt is active if its associated enable and pending bits are set. If $GIE = 1$ and an interrupt is active, then the processor will be interrupted as soon as it is ready to start executing an instruction except if the above conditions happen during the Software Trap service routine. This exception is described in the Software Trap sub-section.

The interruption process is accomplished with the INTR instruction (opcode 00), which is jammed inside the Instruction Register and replaces the opcode about to be executed. The following steps are performed for every interrupt:

1. The GIE (Global Interrupt Enable) bit is reset.
2. The address of the instruction about to be executed is pushed into the stack.
3. The PC (Program Counter) branches to address 00FF. This procedure takes $7 t_c$ cycles to execute.

At this time, since $GIE = 0$, other maskable interrupts are disabled. The user is now free to do whatever context switching is required by saving the context of the machine in the stack with PUSH instructions. The user would then program a VIS (Vector Interrupt Select) instruction in order to branch to the interrupt service routine of the highest priority

interrupt enabled and pending at the time of the VIS. Note that this is not necessarily the interrupt that caused the branch to address location 00FF Hex prior to the context switching.

Thus, if an interrupt with a higher rank than the one which caused the interruption becomes active before the decision of which interrupt to service is made by the VIS, then the interrupt with the higher rank will override any lower ones and will be acknowledged. The lower priority interrupt(s) are still pending, however, and will cause another interrupt immediately following the completion of the interrupt service routine associated with the higher priority interrupt just serviced. This lower priority interrupt will occur immediately following the RETI (Return from Interrupt) instruction at the end of the interrupt service routine just completed.

Inside the interrupt service routine, the associated pending bit has to be cleared by software. The RETI (Return from Interrupt) instruction at the end of the interrupt service routine will set the GIE (Global Interrupt Enable) bit, allowing the processor to be interrupted again if another interrupt is active and pending.

The VIS instruction looks at all the active interrupts at the time it is executed and performs an indirect jump to the beginning of the service routine of the one with the highest rank.

The addresses of the different interrupt service routines, called vectors, are chosen by the user and stored in ROM in a table starting at 01E0 (assuming that VIS is located between 00FF and 01DF). The vectors are 15-bit wide and therefore occupy 2 ROM locations.

TABLE VI. Interrupt Vector Table

ARBITRATION RANKING	SOURCE DESCRIPTION		VECTOR* ADDRESS (Hi-Low Byte)
(1) Highest	Software		0yFE–0yFF
(2)	Reserved		0yFC–0yFD
(3)	External	G0	0yFA–0yFB
(4)	Timer T0	Underflow	0yF8–0yF9
(5)	Timer T1	T1A/Underflow	0yF6–0yF7
(6)	Timer T1	T1B	0yF4–0yF5
(7)	Microwire/Plus	Busy Low	0yF2–0yF3
(8)	Counters		0yF0–0yF1
(9)	UART	Receive	0yEE–0yEF
(10)	UART	Transmit	0yEC–0yED
(11)	Timer T2	T2A/Underflow	0yEA–0yEB
(12)	Timer T2	T2B	0yE8–0yE9
(13)	Capture Timer 1 and 2		0yE6–0yE7
(14)	Unused		0yE4–0yE5
(15)	Port L/Wakeup		0yE2–0yE3
(16) Lowest	Default VIS	Reserved	0yE0–0yE1

* y is a variable which represents the VIS block. VIS and the vector table must be located in the same 256-byte block except if VIS is located at the last address of a block. In this case, the table must be in the next block.

Interrupts (Continued)

VIS and the vector table must be located in the same 256-byte block (0y00 to 0yFF) except if VIS is located at the last address of a block. In this case, the table must be in the next block. The vector table cannot be inserted in the first 256-byte block ($y \neq 0$).

The vector of the maskable interrupt with the lowest rank is located at 0yE0 (Hi-Order byte) and 0yE1 (Lo-Order byte) and so forth in increasing rank number. The vector of the maskable interrupt with the highest rank is located at 0yFA (Hi-Order byte) and 0yFB (Lo-Order byte).

The Software Trap has the highest rank and its vector is located at 0yFE and 0yFF.

If, by accident, a VIS gets executed and no interrupt is active, then the PC (Program Counter) will branch to a vector located at 0yE0–0yE1.

Warning:

A Default VIS interrupt handler routine must be present. As a minimum, this handler should confirm that the GIE bit is cleared (this indicates that the interrupt sequence has been taken), take care of any required housekeeping, restore context and return. Some sort of Warm Restart procedure should be implemented. These events can occur without any error on the part of the system designer or programmer.

Note: There is always the possibility of an interrupt occurring during an instruction which is attempting to reset the GIE bit or any other interrupt enable bit. If this occurs when a single cycle instruction is being used to reset the interrupt enable bit, the interrupt enable bit will be reset but an interrupt may still occur. This is because interrupt processing is started at the same time as the interrupt bit is being reset. To avoid this scenario, the user should always use a two-, three- or four-cycle instruction to reset interrupt enable bits.

Figure 18 shows the Interrupt block diagram.

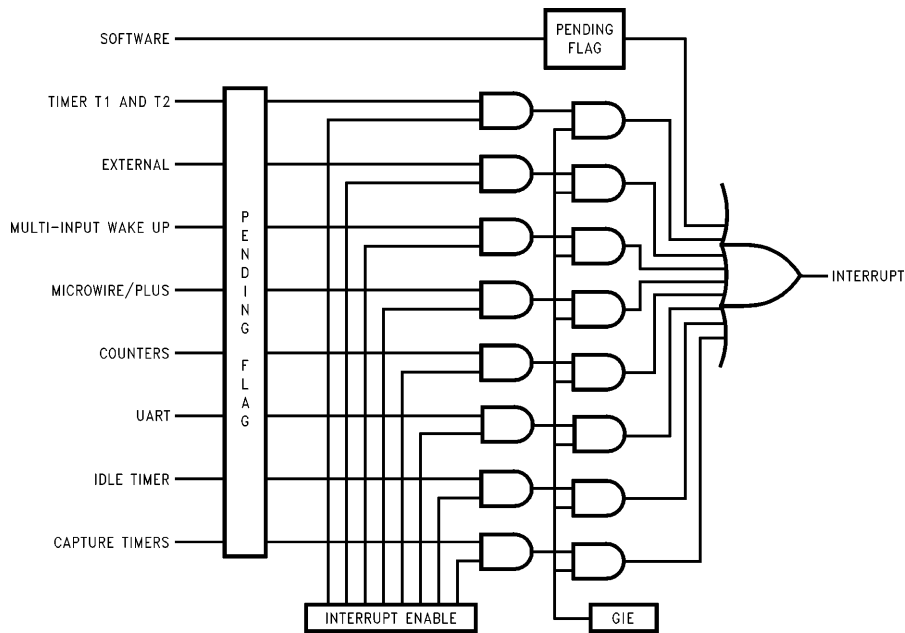


FIGURE 18. Interrupt Block Diagram

TL/DD/12065–20

SOFTWARE TRAP

The Software Trap (ST) is a special kind of non-maskable interrupt which occurs when the INTR instruction (used to acknowledge interrupts) is fetched from ROM and placed inside the instruction register. This may happen when the PC is pointing beyond the available ROM address space or when the stack is over-popped.

When an ST occurs, the user can re-initialize the stack pointer and do a recovery procedure (similar to reset, but not necessarily containing all of the same initialization procedures) before restarting.

The occurrence of an ST is latched into the ST pending bit. The GIE bit is not affected and the ST pending bit (**not accessible by the user**) is used to inhibit other interrupts and to direct the program to the ST service routine with the VIS instruction. The RPND instruction is used to clear the software interrupt pending bit. This pending bit is also cleared on reset.

The ST has the highest rank among all interrupts.

Nothing (except another ST) can interrupt an ST being serviced.

Detection of Illegal Conditions

The device can detect various illegal conditions resulting from coding errors, transient noise, power supply voltage drops, runaway programs, etc.

Reading of undefined ROM gets zeroes. The opcode for software interrupt is 00. If the program fetches instructions from undefined ROM, this will force a software interrupt, thus signaling that an illegal condition has occurred.

The subroutine stack grows down for each call (jump to subroutine), interrupt, or PUSH, and grows up for each return or POP. The stack pointer is initialized to RAM location 06F Hex during reset. Consequently, if there are more returns than calls, the stack pointer will point to addresses 070 and 071 Hex (which are undefined RAM). Undefined RAM from addresses 070 to 07F (Segment 0), 140 to 17F (Segment 1), and all other segments (i.e., Segments 3... etc.) is read as all 1's, which in turn will cause the program to return to address 7FFF Hex. This is an undefined ROM location and the instruction fetched (all 0's) from this location will generate a software interrupt signaling an illegal condition.

Thus, the chip can detect the following illegal conditions:

1. Executing from undefined ROM
2. Over "POP"ing the stack by having more returns than calls.

When the software interrupt occurs, the user can re-initialize the stack pointer and do a recovery procedure before re-starting (this recovery program is probably similar to that following reset, but might not contain the same program initialization procedures). The recovery program should reset the software interrupt pending bit using the RPND instruction.

MICROWIRE/PLUS

MICROWIRE/PLUS is a serial synchronous communications interface. The MICROWIRE/PLUS capability enables the device to interface with any of National Semiconductor's MICROWIRE peripherals (i.e., A/D converters, display drivers, E2PROMs etc.) and with other microcontrollers which support the MICROWIRE interface. It consists of an 8-bit serial shift register (SIO) with serial data input (SI), serial data output (SO) and serial shift clock (SK). Figure 19 shows a block diagram of the MICROWIRE/PLUS logic.

The shift clock can be selected from either an internal source or an external source. Operating the MICROWIRE/PLUS arrangement with the internal clock source is called the Master mode of operation. Similarly, operating the MICROWIRE/PLUS arrangement with an external shift clock is called the Slave mode of operation.

The CNTRL register is used to configure and control the MICROWIRE/PLUS mode. To use the MICROWIRE/PLUS, the MSEL bit in the CNTRL register is set to one. In the master mode, the SK clock rate is selected by the two bits, SL0 and SL1, in the CNTRL register. Table VII details the different clock rates that may be selected.

**TABLE VII. MICROWIRE/PLUS
Master Mode Clock Select**

SL1	SL0	SK Period
0	0	$2 \times t_c$
0	1	$4 \times t_c$
1	x	$8 \times t_c$

Where t_c is the instruction cycle clock

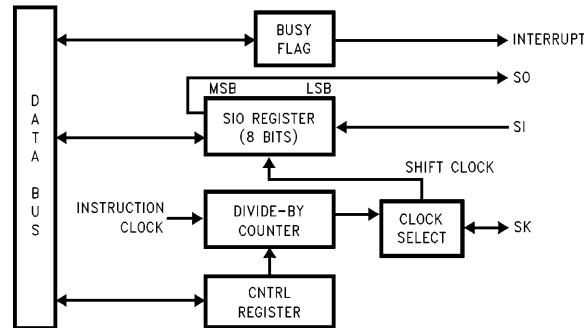


FIGURE 19. MICROWIRE/PLUS Block Diagram

TL/DD/12065-21

MICROWIRE/PLUS (Continued)

MICROWIRE/PLUS OPERATION

Setting the BUSY bit in the PSW register causes the MICROWIRE/PLUS to start shifting the data. It gets reset when eight data bits have been shifted. The user may reset the BUSY bit by software to allow less than 8 bits to shift. If enabled, an interrupt is generated when eight data bits have been shifted. The device may enter the MICROWIRE/PLUS mode either as a Master or as a Slave. Figure 20 shows how two devices, microcontrollers and several peripherals may be interconnected using the MICROWIRE/PLUS arrangements.

Warning:

The SIO register should only be loaded when the SK clock is low. Loading the SIO register while the SK clock is high will result in undefined data in the SIO register. SK clock is normally low when not shifting.

Setting the BUSY flag when the input SK clock is high in the MICROWIRE/PLUS slave mode may cause the current SK clock for the SIO shift register to be narrow. For safety, the BUSY flag should only be set when the input SK clock is low.

MICROWIRE/PLUS Master Mode Operation

In the MICROWIRE/PLUS Master mode of operation the shift clock (SK) is generated internally by the device. The MICROWIRE Master always initiates all data exchanges. The MSEL bit in the CNTRL register must be set to enable the SO and SK functions onto the G Port. The SO and SK pins must also be selected as outputs by setting appropriate bits in the Port G configuration register. Table VIII summarizes the bit settings required for Master mode of operation.

MICROWIRE/PLUS Slave Mode Operation

In the MICROWIRE/PLUS Slave mode of operation the SK clock is generated by an external source. Setting the MSEL bit in the CNTRL register enables the SO and SK functions onto the G Port. The SK pin must be selected as an input and the SO pin is selected as an output pin by setting and resetting the appropriate bits in the Port G configuration register. Table VIII summarizes the settings required to enter the Slave mode of operation.

TABLE VIII. MICROWIRE Mode Settings

G4 (SO) Config. Bit	G5 (SK) Config. Bit	G4 Fun.	G5 Fun.	Operation
1	1	SO	Int. SK	MICROWIRE/PLUS Master
0	1	TRI-STATE	Int. SK	MICROWIRE/PLUS Master
1	0	SO	Ext. SK	MICROWIRE/PLUS Slave
0	0	TRI-STATE	Ext. SK	MICROWIRE/PLUS Slave

This table assumes that the control flag MSEL is set.

The user must set the BUSY flag immediately upon entering the Slave mode. This will ensure that all data bits sent by the Master will be shifted properly. After eight clock pulses the BUSY flag will be cleared and the sequence may be repeated.

Alternate SK Phase Operation

The device allows either the normal SK clock or an alternate phase SK clock to shift data in and out of the SIO register. In both the modes the SK is normally low. In the normal mode data is shifted in on the rising edge of the SK clock and the data is shifted out on the falling edge of the SK clock. The SIO register is shifted on each falling edge of the SK clock. In the alternate SK phase operation, data is shifted in on the falling edge of the SK clock and shifted out on the rising edge of the SK clock.

A control flag, SKSEL, allows either the normal SK clock or the alternate SK clock to be selected. Resetting SKSEL causes the MICROWIRE/PLUS logic to be clocked from the normal SK signal. Setting the SKSEL flag selects the alternate SK clock. The SKSEL is mapped into the G6 configuration bit. The SKSEL flag will power up in the reset condition, selecting the normal SK signal.

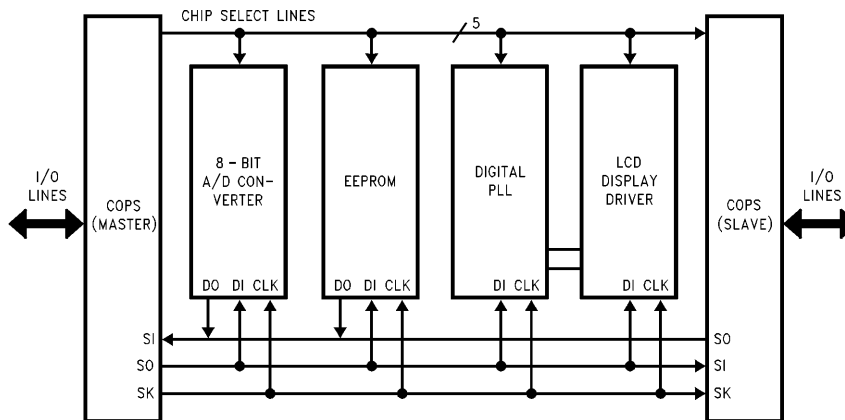


FIGURE 20. MICROWIRE/PLUS Application

TL/DD/12065-22

Memory Map

All RAM, ports and registers (except A and PC) are mapped into data memory address space.

ADDRESS S/ADD REG	CONTENTS
0000 to 006F	112 On-Chip RAM Bytes
0070 to 007F	Unused RAM Address Space (reads as all 1's)
xx80 to xx8F	Unused RAM Address Space (reads undefined data)
xx90 xx91 xx92 xx93 xx94 xx95 xx96 xx97 xx98 xx99 xx9A xx9B xx9C xx9D xx9E xx9F	Port E Data Register Port E Configuration Register Port E Input Pins (read only) Reserved Port F Data Register Port F Configuration Register Port F Input Pins (read only) Reserved Dividend or Result Byte (MDR1) Dividend/Multiplier or Result Byte (MDR2) Dividend/Result Byte or Undefined (MDR3) Divisor/Multiplicand or Result Byte (MDR4) Divisor or Multiplicand Byte(MDR5) Multiply/Divide Control Register (MDCR) Counter Control 1 Register (CCR1) Counter Control 2 Register (CCR2)
xxA0 xxA1 xxA2 xxA3 xxA4 xxA5 xxA6 xxA7 xxA8 xxA9 xxAA xxAB xxAC xxAD xxAE xxAF	Counter 1 Prescaler Lower Byte (C1PRL) Counter 1 Prescaler Upper Byte (C1PRH) Counter 1 Count Register Lower Byte (C1CTL) Counter 1 Count Register Upper Byte (C1CTH) Counter 2 Prescaler Lower Byte (C2PRL) Counter 2 Prescaler Upper Byte (C2PRH) Counter 2 Count Register Lower Byte (C2CTL) Counter 2 Count Register Upper Byte (C2CTH) Counter 3 Prescaler Lower Byte (C3PRL) Counter 3 Prescaler Upper Byte (C3PRH) Counter 3 Count Register Lower Byte (C3CTL) Counter 3 Count Register Upper Byte (C3CTH) Counter 4 Prescaler Lower Byte (C4PRL) Counter 4 Prescaler Upper Byte (C4PRH) Counter 4 Count Register Lower Byte (C4CTL) Counter 4 Count Register Upper Byte (C4CTH)
xxB0 xxB1 xxB2 xxB3 xxB4 xxB5 xxB6 xxB7 xxB8 xxB9 xxBA	Capture Timer 1 Prescaler Register (CM1 PSC) Capture Timer 1 Lower Byte (CM1CRL) Read-Only Capture Timer 1 Upper Byte (CM1CRH) Read-Only Capture Timer 2 Prescaler Register (CM2PSC) Capture Timer 2 Lower Byte (CM2CRL) Read-Only Capture Timer 2 Upper Byte (CM2CRH) Read-Only Capture Timer 1 Control Register (CCMR1) Capture Timer 2 Control Register (CCMR2) UART Transmit Buffer (TBUF) UART Receive Buffer (RBUF) UART Control and Status Register (ENU)

Memory Map (Continued)

ADDRESS S/ADD REG	CONTENTS
xxBB xxBC xxBD xxBE xxBF	UART Receive Control and Status Register (ENUR) UART Interrupt and Clock Source Register (ENUI) UART Baud Register (BAUD) UART Prescaler Select Register (PSR) Reserved for UART
xxC0 xxC1 xxC2 xxC3 xxC4 xxC5 xxC6 xxC7 xxC8 xxC9 xxCA xxCB xxCC xxCD to xxCF	Timer T2 Lower Byte Timer T2 Upper Byte Timer T2 Autoload Register T2RA Lower Byte Timer T2 Autoload Register T2RA Upper Byte Timer T2 Autoload Register T2RB Lower Byte Timer T2 Autoload Register T2RB Upper Byte Timer T2 Control Register Reserved MIWU Edge Select Register (WKEDG) MIWU Enable Register (WKEN) MIWU Pending Register (WKPND) Reserved Reserved Reserved
xxD0 xxD1 xxD2 xxD3 xxD4 xxD5 xxD6 xxD7 xxD8 xxD9 xxDA xxDB xxDC xxDD to xxDF	Port L Data Register Port L Configuration Register Port L Input Pins (Read Only) Reserved for Port L Port G Data Register Port G Configuration Register Port G Input Pins (Read Only) Port I Input Pins (Read Only) Port C Data Register Port C Configuration Register Port C Input Pins (Read Only) Reserved for Port C Port D Reserved for Port D
xxE0 to xxE5 xxE6 xxE7 xxE8 xxE9 xxEA xxEB xxEC xxED xxEE xxEF	Reserved for EE Control Registers Timer T1 Autoload Register T1RB Lower Byte Timer T1 Autoload Register T1RB Upper Byte ICNTRL Register MICROWIRE Shift Register Timer T1 Lower Byte Timer T1 Upper Byte Timer T1 Autoload Register T1RA Lower Byte Timer T1 Autoload Register T1RA Upper Byte CNTRL Control Register PSW Register
xxF0 to xxFB xxFC xxFD xxFE xxFF	On-chip RAM Mapped as Registers X Register SP Register B Register S Register
0100 to 017F 0200 to 027F 0300 to 037F	On Chip RAM Bytes (384 Bytes)

Reading memory locations 0070H-007FH (Segment 0) will return all ones. Reading unused memory locations between 0080H-00F0 Hex (Segment 0) will return undefined data. Reading memory locations from other segments (i.e., segment 4, segment 5, etc.) will return all ones.

Memory Map (Continued)

ADDRESSING MODES

There are ten addressing modes, six for operand addressing and four for transfer of control.

OPERAND ADDRESSING MODES

Register Indirect

This is the “normal” addressing mode. The operand is the data memory addressed by the B pointer or X pointer.

Register Indirect (with auto post Increment or decrement of pointer)

This addressing mode is used with the LD and X instructions. The operand is the data memory addressed by the B pointer or X pointer. This is a register indirect mode that automatically post increments or decrements the B or X register after executing the instruction.

Direct

The instruction contains an 8-bit address field that directly points to the data memory for the operand.

Immediate

The instruction contains an 8-bit immediate field as the operand.

Short Immediate

This addressing mode is used with the Load B Immediate instruction. The instruction contains a 4-bit immediate field as the operand.

Indirect

This addressing mode is used with the LAID instruction. The contents of the accumulator are used as a partial address (lower 8 bits of PC) for accessing a data operand from the program memory.

TRANSFER OF CONTROL ADDRESSING MODES

Relative

This mode is used for the JP instruction, with the instruction field being added to the program counter to get the new program location. JP has a range from -31 to $+32$ to allow a 1-byte relative jump (JP + 1 is implemented by a NOP instruction). There are no “pages” when using JP, since all 15 bits of PC are used.

Absolute

This mode is used with the JMP and JSR instructions, with the instruction field of 12 bits replacing the lower 12 bits of the program counter (PC). This allows jumping to any location in the current 4k program memory segment.

Absolute Long

This mode is used with the JMPL and JSRL instructions, with the instruction field of 15 bits replacing the entire 15 bits of the program counter (PC). This allows jumping to any location up to 32k in the program memory space.

Indirect

This mode is used with the JID instruction. The contents of the accumulator are used as a partial address (lower 8 bits of PC) for accessing a location in the program memory. The contents of this program memory location serve as a partial address (lower 8 bits of PC) for the jump to the next instruction.

Note: The VIS is a special case of the Indirect Transfer of Control addressing mode, where the double byte vector associated with the interrupt is transferred from adjacent addresses in the program memory into the program counter (PC) in order to jump to the associated interrupt service routine.

Instruction Set

Register and Symbol Definition

Registers	
A	8-Bit Accumulator Register
B	8-Bit Address Register
X	8-Bit Address Register
SP	8-Bit Stack Pointer Register
PC	15-Bit Program Counter Register
PU	Upper 7 Bits of PC
PL	Lower 8 Bits of PC
C	1 Bit of PSW Register for Carry
HC	1 Bit of PSW Register for Half Carry
GIE	1 Bit of PSW Register for Global Interrupt Enable
VU	Interrupt Vector Upper Byte
VL	Interrupt Vector Lower Byte

Symbols	
[B]	Memory Indirectly Addressed by B Register
[X]	Memory Indirectly Addressed by X Register
MD	Direct Addressed Memory
Mem	Direct Addressed Memory or [B]
MemI	Direct Addressed Memory or [B] or Immediate Data
Imm	8-Bit Immediate Data
Reg	Register Memory: Addresses F0 to FF (Includes B, X and SP)
Bit	Bit Number (0 to 7)
←	Loaded with
↔	Exchanged with

INSTRUCTION SET

ADD	A,MemI	ADD	$A \leftarrow A + MemI$
ADC	A,MemI	ADD with Carry	$A \leftarrow A + MemI + C, C \leftarrow Carry, HC \leftarrow Half\ Carry$
SUBC	A,MemI	Subtract with Carry	$A \leftarrow A - MemI + C, C \leftarrow Carry, HC \leftarrow Half\ Carry$
AND	A,MemI	Logical AND	$A \leftarrow A \text{ and } MemI$
ANDSZ	A,Imm	Logical AND Immed., Skip if Zero	Skip next if $(A \text{ and } Imm) = 0$
OR	A,MemI	Logical OR	$A \leftarrow A \text{ or } MemI$
XOR	A,MemI	Logical EXclusive OR	$A \leftarrow A \text{ xor } MemI$
IFEQ	MD,Imm	IF EQual	Compare MD and Imm, Do next if $MD = Imm$
IFEQ	A,MemI	IF EQual	Compare A and MemI, Do next if $A = MemI$
IFNE	A,MemI	IF Not Equal	Compare A and MemI, Do next if $A \neq MemI$
IFGT	A,MemI	IF Greater Than	Compare A and MemI, Do next if $A > MemI$
IFBNE	#	IF B Not Equal	Do next if lower 4 bits of $B \neq Imm$
DRSZ	Reg	Decrement Reg., Skip if Zero	$Reg \leftarrow Reg - 1$, Skip if $Reg = 0$
SBIT	#,Mem	Set BIT	1 to bit, Mem (bit = 0 to 7 immediate)
RBIT	#,Mem	Reset BIT	0 to bit, Mem
IFBIT	#,Mem	IF BIT	If bit #, A or Mem is true do next instruction
RPND		Reset PeNDing Flag	Reset Software Interrupt Pending Flag
X	A,Mem	EXchange A with Memory	$A \leftrightarrow Mem$
X	A,[X]	EXchange A with Memory [X]	$A \leftrightarrow [X]$
LD	A,MemI	LoaD A with Memory	$A \leftarrow MemI$
LD	A,[X]	LoaD A with Memory [X]	$A \leftarrow [X]$
LD	B, Imm	LoaD B with Immed.	$B \leftarrow Imm$
LD	Mem, Imm	LoaD Memory Immed.	$Mem \leftarrow Imm$
LD	Reg, Imm	LoaD Register Memory Immed.	$Reg \leftarrow Imm$
X	A, [B ±]	EXchange A with Memory [B]	$A \leftrightarrow [B], (B \leftarrow B \pm 1)$
X	A, [X ±]	EXchange A with Memory [X]	$A \leftrightarrow [X], (X \leftarrow X \pm 1)$
LD	A, [B ±]	LoaD A with Memory [B]	$A \leftarrow [B], (B \leftarrow B \pm 1)$
LD	A, [X ±]	LoaD A with Memory [X]	$A \leftarrow [X], (X \leftarrow X \pm 1)$
LD	[B ±],Imm	LoaD Memory [B] Immed.	$[B] \leftarrow Imm, (B \leftarrow B \pm 1)$
CLR	A	CLeaR A	$A \leftarrow 0$
INC	A	INCRement A	$A \leftarrow A + 1$
DEC	A	DECReament A	$A \leftarrow A - 1$
LAI		LoaD A InDirect from ROM	$A \leftarrow ROM(PU, A)$
DCOR	A	Decimal CORection A	$A \leftarrow BCD\ correction\ of\ A\ (follows\ ADC, SUBC)$
RRC	A	Rotate A Right thru C	$C \rightarrow A7 \rightarrow \dots \rightarrow A0 \rightarrow C$
RLC	A	Rotate A Left thru C	$C \leftarrow A7 \leftarrow \dots \leftarrow A0 \leftarrow C$
SWAP	A	SWAP nibbles of A	$A7 \dots A4 \leftrightarrow A3 \dots A0$
SC		Set C	$C \leftarrow 1, HC \leftarrow 1$
RC		Reset C	$C \leftarrow 0, HC \leftarrow 0$
IFC		IF C	If C is true, do next instruction
IFNC		IF Not C	If C is not true, do next instruction
POP	A	POP the stack into A	$SP \leftarrow SP + 1, A \leftarrow [SP]$
PUSH	A	PUSH A onto the stack	$[SP] \leftarrow A, SP \leftarrow SP - 1$
VIS		Vector to Interrupt Service Routine	$PU \leftarrow [VU], PL \leftarrow [VL]$
JMPL	Addr.	Jump absolute Long	$PC \leftarrow ii\ (ii = 15\ bits, 0\ to\ 32k)$
JMP	Addr.	Jump absolute	$PC9 \dots 0 \leftarrow i\ (i = 12\ bits)$
JP	Disp.	Jump relative short	$PC \leftarrow PC + r\ (r\ is\ -31\ to\ +32, except\ 1)$
JSRL	Addr.	Jump SubRoutine Long	$[SP] \leftarrow PL, [SP - 1] \leftarrow PU, SP - 2, PC \leftarrow ii$
JSR	Addr	Jump SubRoutine	$[SP] \leftarrow PL, [SP - 1] \leftarrow PU, SP - 2, PC9 \dots 0 \leftarrow i$
JID		Jump InDirect	$PL \leftarrow ROM(PU, A)$
RET		RETurn from subroutine	$SP + 2, PL \leftarrow [SP], PU \leftarrow [SP - 1]$
RETSK		RETurn and SKip	$SP + 2, PL \leftarrow [SP], PU \leftarrow [SP - 1], skip\ next\ instruction$
RETI		RETurn from Interrupt	$SP + 2, PL \leftarrow [SP], PU \leftarrow [SP - 1], GIE \leftarrow 1$
INTR		Generate an Interrupt	$[SP] \leftarrow PL, [SP - 1] \leftarrow PU, SP - 2, PC \leftarrow 0FF$
NOP		No OPeration	$PC \leftarrow PC + 1$

Instruction Execution Time

Most instructions are single byte (with immediate addressing mode instructions taking two bytes).

Most single byte instructions take one cycle time to execute.

Skipped instructions require x number of cycles to be skipped, where x equals the number of bytes in the skipped instruction opcode.

See the BYTES and CYCLES per INSTRUCTION table for details.

Bytes and Cycles per Instruction

The following table shows the number of bytes and cycles for each instruction in the format of byte/cycle.

Arithmetic and Logic Instructions				Instructions Using A & C		Transfer of Control Instructions	
	[B]	Direct	Immed.				
ADD	1/1	3/4	2/2	CLRA	1/1	JMPL	3/4
ADC	1/1	3/4	2/2	INCA	1/1	JMP	2/3
SUBC	1/1	3/4	2/2	DECA	1/1	JP	1/3
AND	1/1	3/4	2/2	LAID	1/3	JSRL	3/5
OR	1/1	3/4	2/2	DCORA	1/1	JSR	2/5
XOR	1/1	3/4	2/2	RRCA	1/1	JID	1/3
IFEQ	1/1	3/4	2/2	RLCA	1/1	VIS	1/5
IFGT	1/1	3/4	2/2	SWAPA	1/1	RET	1/5
IFBNE	1/1			SC	1/1	RETSK	1/5
DRSZ		1/3		RC	1/1	RETI	1/5
SBIT	1/1	3/4		IFC	1/1	INTR	1/7
RBIT	1/1	3/4		IFNC	1/1	NOP	1/1
IFBIT	1/1	3/4		PUSHA	1/3		
				POPA	1/3		
				ANDSZ	2/2		

RPND	1/1
------	-----

Memory Transfer Instructions

	Register Indirect		Direct	Immed.	Register Indirect Auto Incr. and Decr.	
	[B]	[X]			[B+, B-]	[X+, X-]
X A, *	1/1	1/3	2/3		1/2	1/3
LD A, *	1/1	1/3	2/3	2/2	1/2	1/3
LD B, Imm				1/1		
LD B, Imm				2/2		
LD Mem, Imm	2/2		3/3		2/2	
LD Reg, Imm			2/3			
IFEQ MD, Imm			3/3			

(IF B < 16)
(IF B > 15)

Note: * = > Memory location addressed by B or X or directly.

Mask Options

The mask programmable options are shown below. The options are programmed at the same time as the ROM pattern submission.

OPTION 1: CLOCK CONFIGURATION

= 1 Crystal Oscillator (CKI/10)
G7 (CKO) is clock generator output to crystal/resonator with CKI being the clock input

OPTION 2: HALT

= 1 Enable HALT mode
= 2 Disable HALT mode

OPTION 3: BONDING OPTIONS

= 1 68 Pins PLCC

The chip can be driven by a clock input on the CKI input pin which can be between DC and 10 MHz. The CKO output clock is on pin G7 (if clock option = 1 has been selected). The CKI input frequency is divided down by 10 to produce the instruction cycle clock ($1/t_c$).

Opcode Table

Upper Nibble											Lower Nibble					
F	E	D	C	B	A	9	8	7	6	5	4	3	2	1	0	
JP -15	JP -31	LD 0F0, #i	DRSZ 0F0	RRCA	RC	ADC A, #i	ADC A,[B]	IFBIT 0,[B]	ANDSZ A, #1	LD B, #0F	IFBNE 0	JSR x000-x0FF	JMP x000-x0FF	JP +17	INTR 0	
JP -14	JP -30	LD 0F1, #i	DRSZ 0F1	*	SC	SUBC A, #i	SUBC A,[B]	IFBIT 1,[B]	*	LD B, #0E	IFBNE 1	JSR x100-x1FF	JMP x100-x1FF	JP +18	JP +2 1	
JP -13	JP -29	LD 0F2, #i	DRSZ 0F2	X A, [X+]	X A, [B+]	IFEQ A, #i	IFEQ A,[B]	IFBIT 2,[B]	*	LD B, #0D	IFBNE 2	JSR x200-x2FF	JMP x200-x2FF	JP +19	JP +3 2	
JP -12	JP -28	LD 0F3, #i	DRSZ 0F3	X A, [X-]	X A, [B-]	IFGT A, #i	IFGT A,[B]	IFBIT 3,[B]	*	LD B, #0C	IFBNE 3	JSR x300-x3FF	JMP x300-x3FF	JP +20	JP +4 3	
JP -11	JP -27	LD 0F4, #i	DRSZ 0F4	VIS	LAID	ADD A, #i	ADD A,[B]	IFBIT 4,[B]	CLRA	LD B, #0B	IFBNE 4	JSR x400-x4FF	JMP x400-x4FF	JP +21	JP +5 4	
JP -10	JP -26	LD 0F5, #i	DRSZ 0F5	RPND	JID	AND A, #i	AND A,[B]	IFBIT 5,[B]	SWAPA	LD B, #0A	IFBNE 5	JSR x500-x5FF	JMP x500-x5FF	JP +22	JP +6 5	
JP -9	JP -25	LD 0F6, #i	DRSZ 0F6	X A,[X]	X A,[B]	XOR A, #i	XOR A,[B]	IFBIT 6,[B]	DCORA	LD B, #09	IFBNE 6	JSR x600-x6FF	JMP x600-x6FF	JP +23	JP +7 6	
JP -8	JP -24	LD 0F7, #i	DRSZ 0F7	*	*	OR A, #i	OR A,[B]	IFBIT 7,[B]	PUSHA	LD B, #08	IFBNE 7	JSR x700-x7FF	JMP x700-x7FF	JP +24	JP +8 7	
JP -7	JP -23	LD 0F8, #i	DRSZ 0F8	NOP	RLCA	LD A, #i	IFC	SBIT 0,[B]	RBIT 0,[B]	LD B, #07	IFBNE 8	JSR x800-x8FF	JMP x800-x8FF	JP +25	JP +9 8	
JP -6	JP -22	LD 0F9, #i	DRSZ 0F9	IFNE A,[B]	IFEQ Md, #i	IFNE A, #i	IFNC	SBIT 1,[B]	RBIT 1,[B]	LD B, #06	IFBNE 9	JSR x900-x9FF	JMP x900-x9FF	JP +26	JP +10 9	
JP -5	JP -21	LD 0FA, #i	DRSZ 0FA	LD A, [X+]	LD A, [B+]	LD [B+], #i	INCA	SBIT 2,[B]	RBIT 2,[B]	LD B, #05	IFBNE 0A	JSR xA00-xAFF	JMP xA00-xAFF	JP +27	JP +11 A	
JP -4	JP -20	LD 0FB, #i	DRSZ 0FB	LD A, [X-]	LD A, [B-]	LD [B-], #i	DECA	SBIT 3,[B]	RBIT 3,[B]	LD B, #04	IFBNE 0B	JSR xB00-xBFF	JMP xB00-xBFF	JP +28	JP +12 B	
JP -3	JP -19	LD 0FC, #i	DRSZ 0FC	LD Md, #i	JMPL	X A, Md	POPA	SBIT 4,[B]	RBIT 4,[B]	LD B, #03	IFBNE 0C	JSR xC00-xCFF	JMP xC00-xCFF	JP +29	JP +13 C	
JP -2	JP -18	LD 0FD, #i	DRSZ 0FD	DIR	JSRL	LD A, Md	RETSK	SBIT 5,[B]	RBIT 5,[B]	LD B, #02	IFBNE 0D	JSR xD00-xDFF	JMP xD00-xDFF	JP +30	JP +14 D	
JP -1	JP -17	LD 0FE, #i	DRSZ 0FE	LD A,[X]	LD A,[B]	LD [B], #i	RET	SBIT 6,[B]	RBIT 6,[B]	LD B, #01	IFBNE 0E	JSR xE00-xEFFF	JMP xE00-xEFFF	JP +31	JP +15 E	
JP -0	JP -16	LD 0FF, #i	DRSZ 0FF	*	*	LD B, #i	RETI	SBIT 7,[B]	RBIT 7,[B]	LD B, #00	IFBNE 0F	JSR xF00-xFFFF	JMP xF00-xFFFF	JP +32	JP +16 F	

Where,

i is the immediate data

Md is a directly addressed memory location

* is an unused opcode

Note: The opcode 60 Hex is also the opcode for IFBIT #1A.

Development Support

SUMMARY

- iceMASTER: IM-COP8/400—Full feature in-circuit emulation for all COP8 products. A full set of COP8 Basic and Feature Family device and package specific probes are available.
- COP8 Debug Module: Moderate cost in-circuit emulation and development programming unit.
- COP8 Evaluation and Programming Unit: EPU-COP888GG—low cost In-circuit simulation and development programming unit.
- Assembler: COP8-DEV-IBMA. A DOS installable cross development Assembler, Linker, Librarian and Utility Software Development Tool Kit.
- C Compiler: COP8C. A DOS installable cross development Software Tool Kit.
- OTP/EPROM Programmer Support: Covering needs from engineering prototype, pilot production to full production environments.

iceMASTER (IM) IN-CIRCUIT EMULATION

The iceMASTER IM-COP8/400 is a full feature, PC based, in-circuit emulation tool developed and marketed by Meta-Link Corporation to support the whole COP8 family of products. National is a resale vendor for these products.

See *Figure 21* for configuration.

The iceMASTER IM-COP8/400 with its device specific COP8 Probe provides a rich feature set for developing, testing and maintaining product:

- Real-time in-circuit emulation; full 2.4V–5.5V operation range, full DC-10 MHz clock. Chip options are programmable or jumper selectable.
- Direct connection to application board by package compatible socket or surface mount assembly.
- Full 32 kbytes of loadable programming space that overlays (replaces) the on-chip ROM or EPROM. On-chip RAM and I/O blocks are used directly or recreated on the probe as necessary.

- Full 4k frame synchronous trace memory. Address, instruction, and 8 unspecified, circuit connectable trace lines. Display can be HLL source (e.g., C source), assembly or mixed.
- A full 64k hardware configurable break, trace on, trace off control, and pass count increment events.
- Tool set integrated interactive symbolic debugger—supports both assembler (COFF) and C Compiler (.COD) linked object formats.
- Real time performance profiling analysis; selectable bucket definition.
- Watch windows, content updated automatically at each execution break.
- Instruction by instruction memory/register changes displayed on source window when in single step operation.
- Single base unit and debugger software reconfigurable to support the entire COP8 family; only the probe personality needs to change. Debugger software is processor customized, and reconfigured from a master model file.
- Processor specific symbolic display of registers and bit level assignments, configured from master model file.
- Halt/Idle mode notification.
- On-line HELP customized to specific processor using master model file.
- Includes a copy of COP8-DEV-IBMA assembler and linker SDK.

IM Order Information

Base Unit	
IM-COP8/400-1	iceMASTER base unit, 110V power supply
IM-COP8/400-2	iceMASTER base unit, 220V power supply
iceMASTER Probe	
MHW-888GW68PWPC	68 PLCC

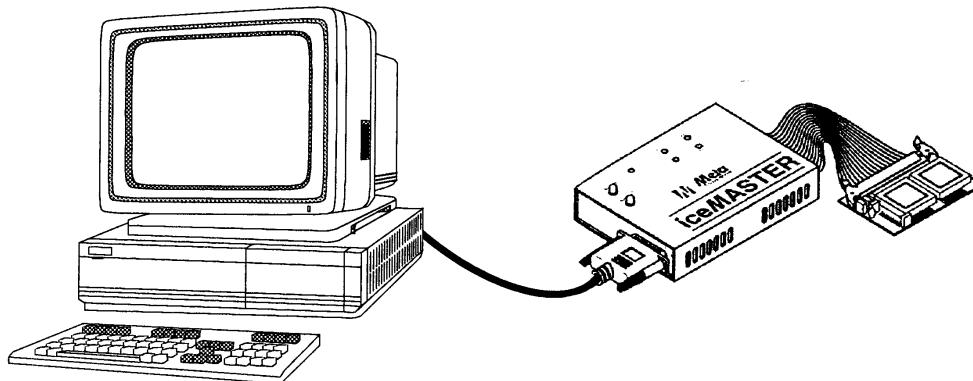


FIGURE 21. COP8 iceMASTER Environment

TL/DD/12065-31

Development Support (Continued)

iceMASTER DEBUG MODULE (DM)

The iceMASTER Debug Module is a PC based, combination in-circuit emulation tool and COP8 based OTP/EPROM programming tool developed and marketed by MetaLink Corporation to support the whole COP8 family of products. National is a resale vendor for these products.

See *Figure 22* for configuration.

The iceMASTER Debug Module is a moderate cost development tool. It has the capability of in-circuit emulation for a specific COP8 microcontroller and in addition serves as a programming tool for COP8 OTP and EPROM product families. Summary of features is as follows:

- Real-time in-circuit emulation; full operating voltage range operation, full DC-10 MHz clock.
 - All processor I/O pins can be cabled to an application development board with package compatible cable to socket and surface mount assembly.
 - Full 32 kbytes of loadable programming space that overlays (replaces) the on-chip ROM or EPROM. On-chip RAM and I/O blocks are used directly or recreated as necessary.
 - 100 frames of synchronous trace memory. The display can be HLL source (C source), assembly or mixed. The most recent history prior to a break is available in the trace memory.
 - Configured break points; uses INTR instruction which is modestly intrusive.
 - Software—only supported features are selectable.
 - Tool set integrated interactive symbolic debugger—supports both assembler (COFF) and C Compiler (.COD) SDK linked object formats.
- Instruction by instruction memory/register changes displayed when in single step operation.
 - Debugger software is processor customized, and reconfigured from a master model file.
 - Processor specific symbolic display of registers and bit level assignments, configured from master model file.
 - Halt/Idle mode notification.
 - Programming menu supports full product line of programmable OTP and EPROM COP8 products. Program data is taken directly from the overlay RAM.
 - Programming of 44 PLCC and 68 PLCC parts requires external programming adapters.
 - Includes wallmount power supply.
 - On-board V_{PP} generator from 5V input or connection to external supply supported. Requires V_{PP} level adjustment per the family programming specification (correct level is provided on an on-screen pop-down display).
 - On-line HELP customized to specific processor using master model file.
 - Includes a copy of COP8-DEV-IBMA assembler and linker SDK.

DM Order Information

Debug Module Unit	
COP8-DM/888GW	
Cable Adapters	
DM-COP8/68P	68 PLCC

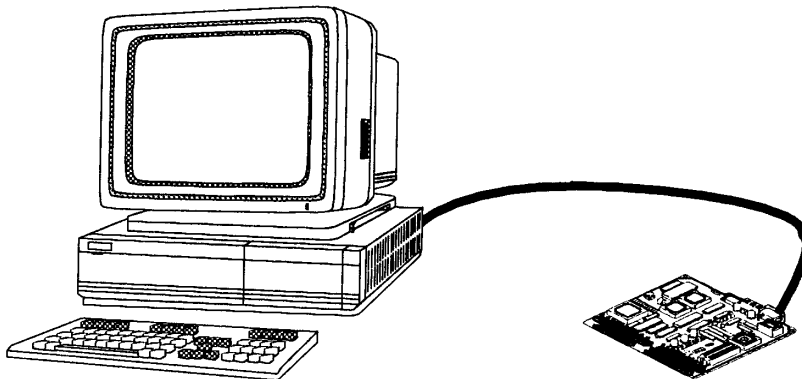


FIGURE 22. COP8-DM Environment

TL/DD/12065-32

Development Support (Continued)

COP8 ASSEMBLER/LINKER SOFTWARE DEVELOPMENT TOOL KIT

National Semiconductor offers a relocateable COP8 macro cross assembler, linker, librarian and utility software development tool kit. Features are summarized as follows:

- Basic and Feature Family instruction set by "device" type.
- Nested macro capability.
- Extensive set of assembler directives.
- Supported on PC/DOS platform.
- Generates National standard COFF output files.
- Integrated Linker and Librarian.
- Integrated utilities to generate ROM code file outputs.
- DUMPCOFF utility.

This product is integrated as a part of MetaLink tools as a development kit, fully supported by the MetaLink debugger. It may be ordered separately or it is bundled with the MetaLink products at no additional cost.

Order-Information

Assembler SDK	
COP8-DEV-IBMA	Assembler SDK on installable 3.5" PC/DOS Floppy Disk Drive format. Periodic upgrades and most recent version is available on National's BBS and Internet.

COP8 C COMPILER

A C Compiler is developed and marketed by Byte Craft Limited. The COP8C compiler is a fully integrated development tool specifically designed to support the compact embedded configuration of the COP8 family of products. Features are summarized as follows:

- ANSI C with some restrictions and extensions that optimize development for the COP8 embedded application.

- BITS data type extension. Register declaration #pragma with direct bit level definitions.
- C language support for interrupt routines.
- Expert system, rule based code generation and optimization.
- Performs consistency checks against the architectural definitions of the target COP8 device.
- Generates program memory code.
- Supports linking of compiled object or COP8 assembled object formats.
- Global optimization of linked code.
- Symbolic debug load format fully source level supported by the MetaLink debugger.

SINGLE CHIP OTP/EMULATOR SUPPORT

The COP8 family is supported by single chip OTP emulators. For detailed information refer to the emulator specific datasheet and the emulator selection table below:

OTP Emulator Ordering Information

Device Number	Clock Option	Package	Emulates
COP87L88GWV-XE	Crystal/ HALT En	68 PLCC	COP888GW

INDUSTRY WIDE OTP/EPROM PROGRAMMING SUPPORT

Programming support, in addition to the MetaLink development tools, is provided by a full range of independent approved vendors to meet the needs from the engineering laboratory to full production.

Approved List

Manufacturer	North America	Europe	Asia
BP Microsystems	(800) 225-2102 (713) 688-4600 Fax: (713) 688-0920	+ 49-8152-4183 + 49-8856-932616	+ 852-234-16611 + 852-2710-8121
Data I/O	(800) 426-1045 (206) 881-6444 Fax: (206) 882-1043	+ 44-0734-440011	Call North America
HI-LO	(510) 623-8860	Call Asia	+ 886-2-764-0215 Fax: + 886-2-756-6403
ICE Technology	(800) 624-8949 (919) 430-7915	+ 44-1226-767404 Fax: 0-1226-370-434	
MetaLink	(800) 638-2423 (602) 926-0797 Fax: (602) 693-0681	+ 49-80 9156 96-0 Fax: + 49-80 9123 86	+ 852-737-1800
Systems General	(408) 263-6667	+ 41-1-9450300	+ 886-2-917-3005 Fax: + 886-2-911-1283
Needhams	(916) 924-8037 Fax: (916) 924-8065		

Development Support (Continued)

AVAILABLE LITERATURE

For more information, please see the COP8 Basic Family User's Manual, Literature Number 620895, COP8 Feature Family User's Manual, Literature Number 620897 and National's Family of 8-bit Microcontrollers COP8 Selection Guide, Literature Number 630009.

DIAL-A-HELPER SERVICE

Dial-A-Helper is a service provided by the Microcontroller Applications group. The Dial-A-Helper is an Electronic Information System that may be accessed as a Bulletin Board System (BBS) via data modem, as an FTP site on the Internet via standard FTP client application or as an FTP site on the Internet using a standard Internet browser such as Netscape or Mosaic.

The Dial-A-Helper system provides access to an automated information storage and retrieval system. The system capabilities include a MESSAGE SECTION (electronic mail, when accessed as a BBS) for communications to and from the Microcontroller Applications Group and a FILE SECTION which consists of several file areas where valuable application software and utilities could be found.

DIAL-A-HELPER BBS via a Standard Modem

Modem: CANADA/U.S.: (800) NSC-MICRO

(800) 672-6427

EUROPE: (+ 49) 0-8141-351332

Baud: 14.4k

Set-Up: Length: 8-Bit

Parity: None

Stop Bit: 1

Operation: 24 Hours, 7 Days

DIAL-A-HELPER via FTP

ftp nscmicro.nsc.com

user: anonymous

password: username@yourhost.site.domain

DIAL-A-HELPER via a WorldWide Web Browser

ftp://nscmicro.nsc.com

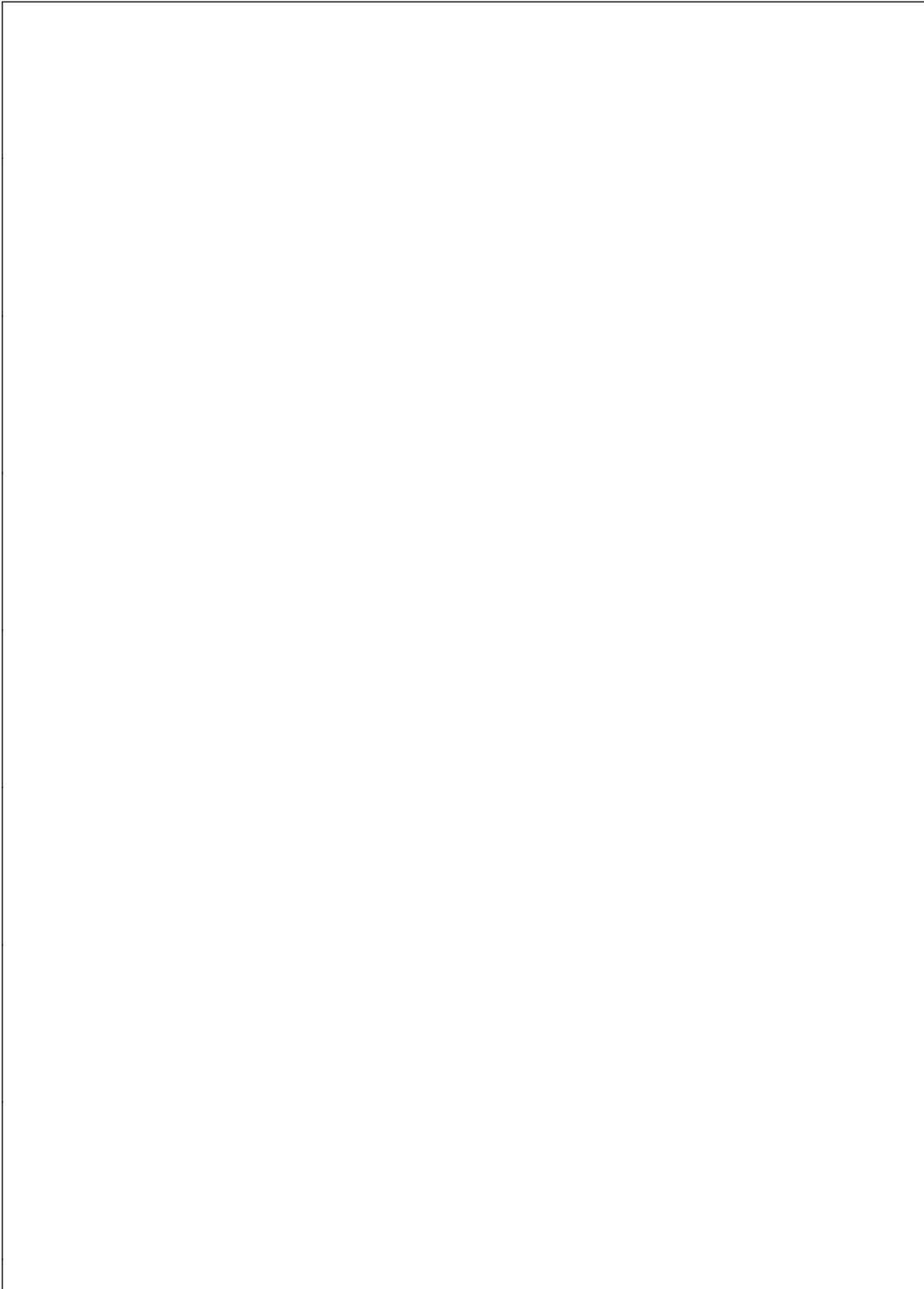
National Semiconductor on the WorldWide Web

See us on the WorldWide Web at: <http://www.national.com>

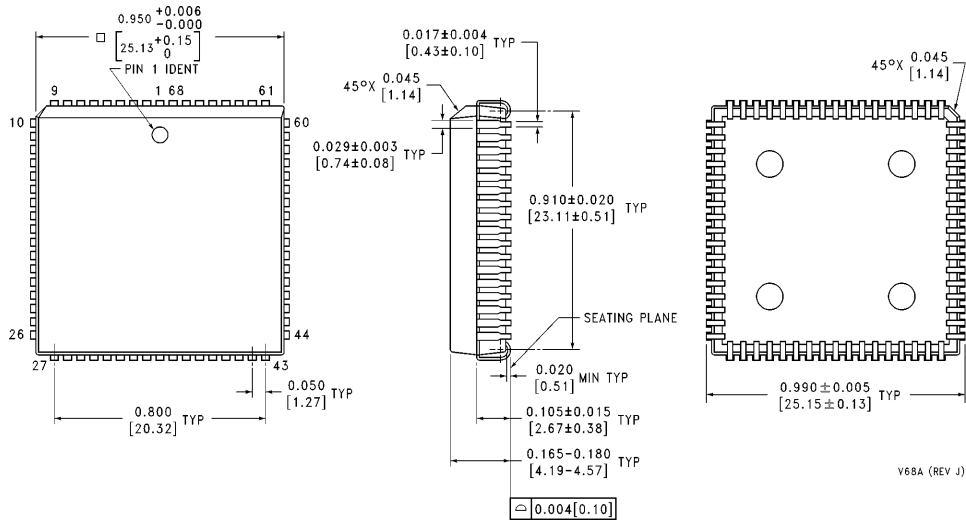
CUSTOMER RESPONSE CENTER

Complete product information and technical support is available from National's customer response centers.

CANADA/ U.S.:	Tel:	(800) 272-9959
	email:	support@tevm2.nsc.com
EUROPE:	email:	europa.support@nsc.com
	Deutsch Tel:	+ 49 (0) 180-530 85 85
	English Tel:	+ 49 (0) 180-532 78 32
	Français Tel:	+ 49 (0) 180-532 93 58
Italiano Tel:	+ 49 (0) 180-534 16 80	
JAPAN:	Tel:	+ 81-043-299-2309
S.E. ASIA:	Beijing Tel:	(+ 86) 10-6856-8601
	Shanghai Tel:	(+ 86) 21-6415-4092
	Hong Kong Tel:	(+ 852) 2737-1600
	Korea Tel:	(+ 82) 2-3771-6909
	Malaysia Tel:	(+ 60-4) 644-9061
	Singapore Tel:	(+ 65) 255-2226
Taiwan Tel:	+ 886-2-521-3288	
AUSTRALIA:	Tel:	(+ 61) 3-9558-9999
INDIA:	Tel:	(+ 91) 80-559-9467



Physical Dimensions inches (millimeters) unless otherwise noted



68-Lead Molded Plastic Chip Carrier
Order Number COP888GW-XXX/V
NS Package Number V68A

V68A (REV J)

LIFE SUPPORT POLICY

NATIONAL'S PRODUCTS ARE NOT AUTHORIZED FOR USE AS CRITICAL COMPONENTS IN LIFE SUPPORT DEVICES OR SYSTEMS WITHOUT THE EXPRESS WRITTEN APPROVAL OF THE PRESIDENT OF NATIONAL SEMICONDUCTOR CORPORATION. As used herein:

1. Life support devices or systems are devices or systems which, (a) are intended for surgical implant into the body, or (b) support or sustain life, and whose failure to perform, when properly used in accordance with instructions for use provided in the labeling, can be reasonably expected to result in a significant injury to the user.
2. A critical component is any component of a life support device or system whose failure to perform can be reasonably expected to cause the failure of the life support device or system, or to affect its safety or effectiveness.



National Semiconductor Corporation
 1111 West Bardin Road
 Arlington, TX 76017
 Tel: 1(800) 272-9959
 Fax: 1(800) 737-7018

<http://www.national.com>

National Semiconductor Europe

Fax: +49 (0) 180-530 85 86
 Email: europe.support@nsc.com
 Deutsch Tel: +49 (0) 180-530 85 85
 English Tel: +49 (0) 180-532 78 32
 Français Tel: +49 (0) 180-532 93 58
 Italiano Tel: +49 (0) 180-534 16 80

National Semiconductor Hong Kong Ltd.

19th Floor, Straight Block,
 Ocean Centre, 5 Canton Rd.
 Tsimshatsui, Kowloon
 Hong Kong
 Tel: (852) 2737-1600
 Fax: (852) 2736-9960

National Semiconductor Japan Ltd.

Tel: 81-043-299-2308
 Fax: 81-043-299-2408

National does not assume any responsibility for use of any circuitry described, no circuit patent licenses are implied and National reserves the right at any time without notice to change said circuitry and specifications.