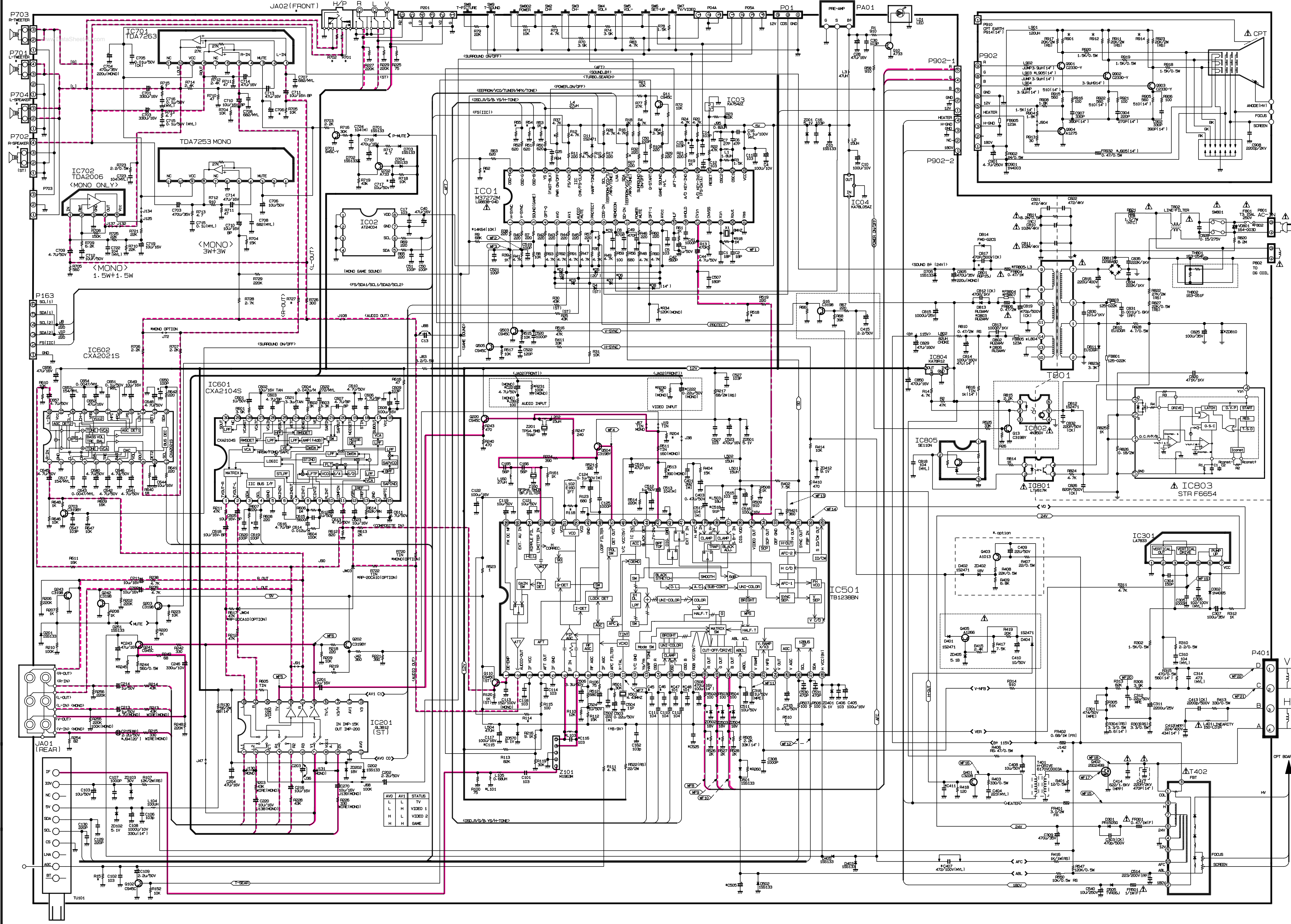


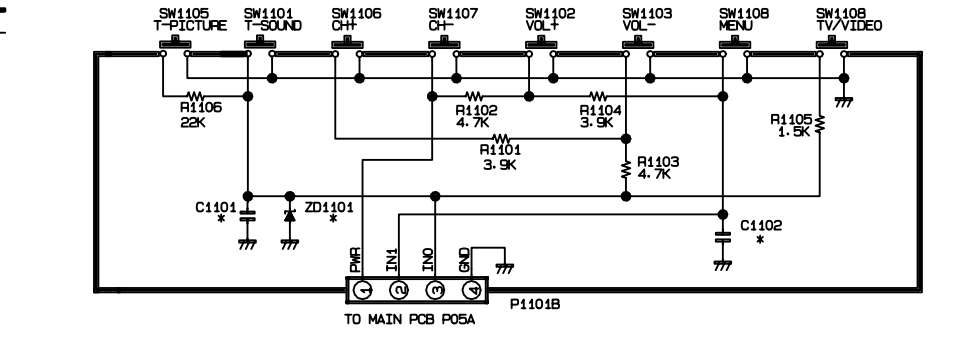
MC83C SCHEMATIC DIAGRAM



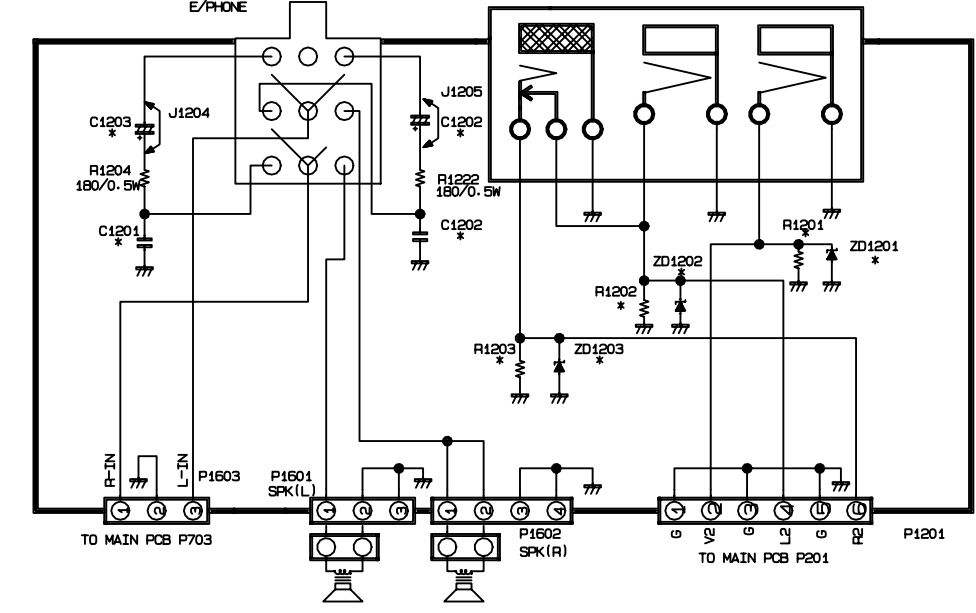
WARNING BEFORE SERVICING THIS CHASSIS READ 'X-RAY RADIATION PRECAUTION', 'SAFETY PRECAUTION' AND PRODUCT SAFETY NOTICE IN THIS MANUAL.

CAUTION: THE MARKS IN THE SCHEMATIC DIAGRAM AND THE PARTS LIST DESIGNATE COMPONENTS WHICH HAVE SPECIAL CHARACTERISTICS FOR SAFETY, AND SHOULD BE REPLACED ONLY WITH TYPES IDENTICAL TO THOSE IN THE ORIGINAL CIRCUIT OR SPECIFIED IN THE PARTS LIST. BEFORE REPLACING ANY OF THESE COMPONENTS, READ CAREFULLY THE PRODUCT SAFETY NOTICE IN THIS MANUAL. DO NOT DEGRADE THE SAFETY OF THE RECEIVER THROUGH IMPROPER SERVICING.

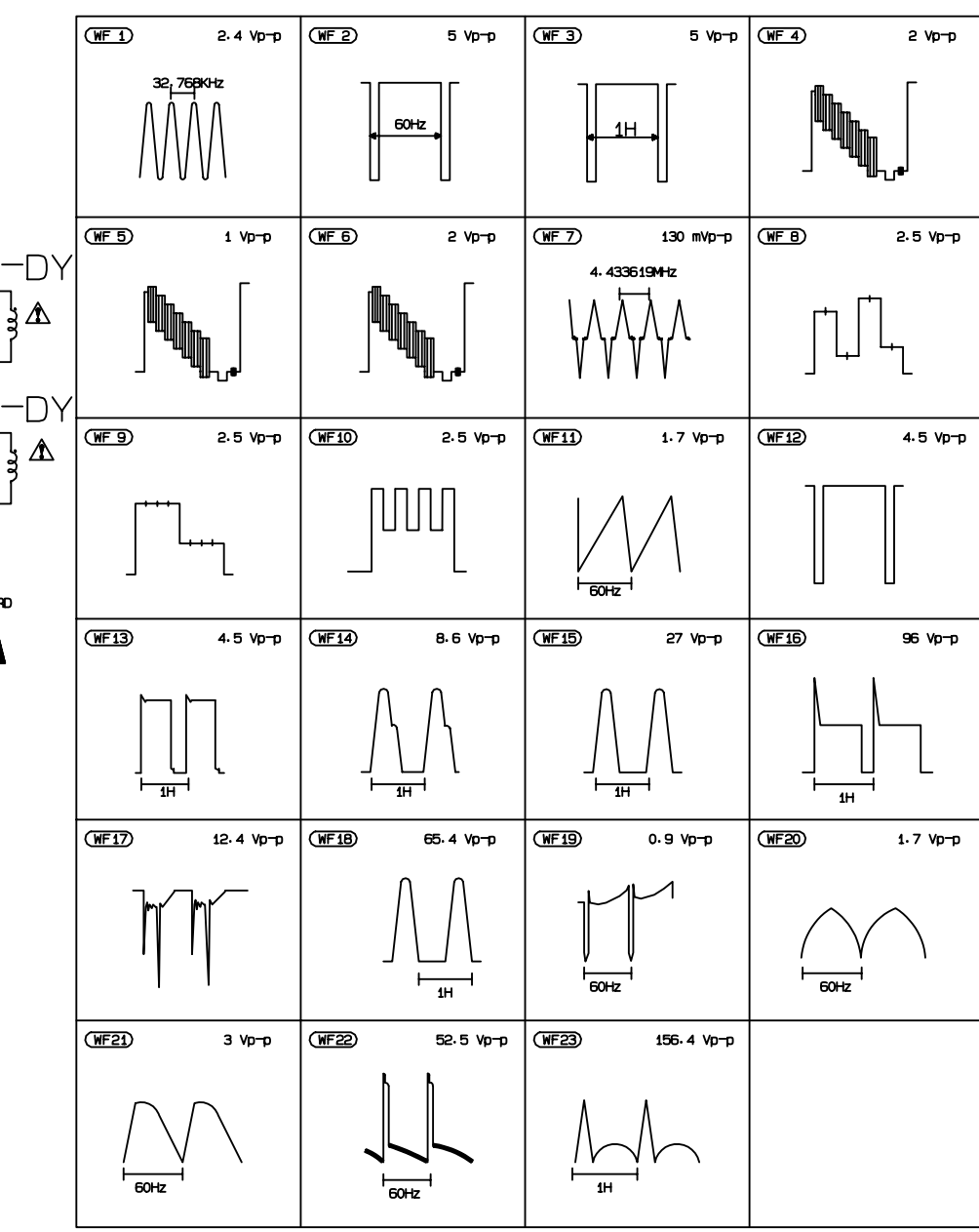
FRONT CONTROL (15Q90)



SIDE A/V (15Q90)



WAVE FORM



— VIDEO
 - - - - - AUDIO
 - · - · - Y
 - - - - - C