

## 3W, Mono, Filterless, Class-D Audio Power Amplifier

### www.datasheet4u.com **General Description**

The CP2210 is a high efficiency, mono, filterless, Class D audio power amplifier designed for demanding audio applications. It is capable of delivering 3W of continuous average power to a 4Ω BTL load with less than 10% distortion (THD+N) from a 5V battery voltage. It operates from 2.5V to 5.5V.

Features like 90% efficiency, -80dB PSRR at 217Hz, improved RF-rectification immunity, the space-saving CSP9 and DFN8 packages, the advanced pop & click circuitry, a minimal count of external components and low-power shutdown mode make the CP2210 ideal for wireless handsets.

The gain of the CP2210 can be configured by external input resistors, which allows independent gain control from multiple sources by summing the signals. Short circuit and thermal protection prevent the device from damage during fault conditions.



CSP9 Package  
1.5mm x 1.5mm  
-40°C ~ 85°C



DFN8 Package  
3mm x 3mm  
-40°C ~ 85°C

### Features

- Optimized PWM eliminates output Filter
- Efficiency with an 8Ω speaker at 400mW
- Power output at 5.0V, 1%THD, 8Ω
- Power output at 5.0V, 10%THD, 4Ω
- Quiescent current
- Shutdown current
- Improved PSRR
- Wide single supply voltage: 2.5V to 5.5V
- Internally generated 300kHz switching frequency
- Fully differential design reduces RF rectification
- Integrated click-and-pop suppression circuitry
- Short circuit and thermal protection
- Available in space-saving package: CSP9 & DFN8
- RoHS compliant and 100% lead(Pb)-free

90%(typ)  
1.36 W(typ)  
3 W(typ)  
2.3mA (typ)  
0.1μA (typ)  
-80dB (typ)

### Applications

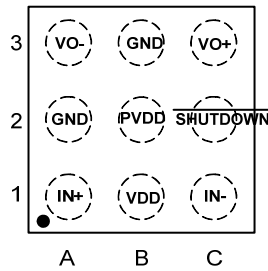
- Wireless handsets
- Portable audio devices
- PDAs
- Notebook computers

### 3W, Mono, Filterless, Class-D Audio Power Amplifier

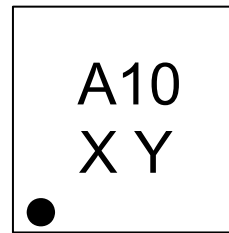
www.datasheet4u.com

#### Pin Configurations

**CSP9 Package  
( Top View )**

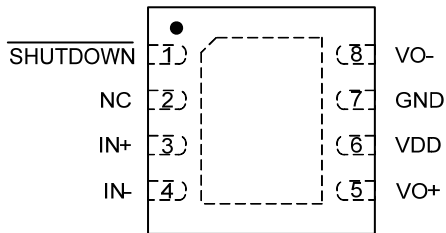


**CSP9 Marking**

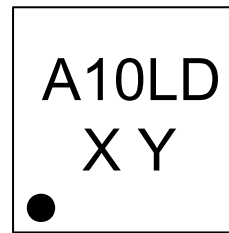


A10 - CP2210ITLX  
XY - Manufacture Date Code

**DFN8 Package  
( Top View )**



**DFN8 Marking**

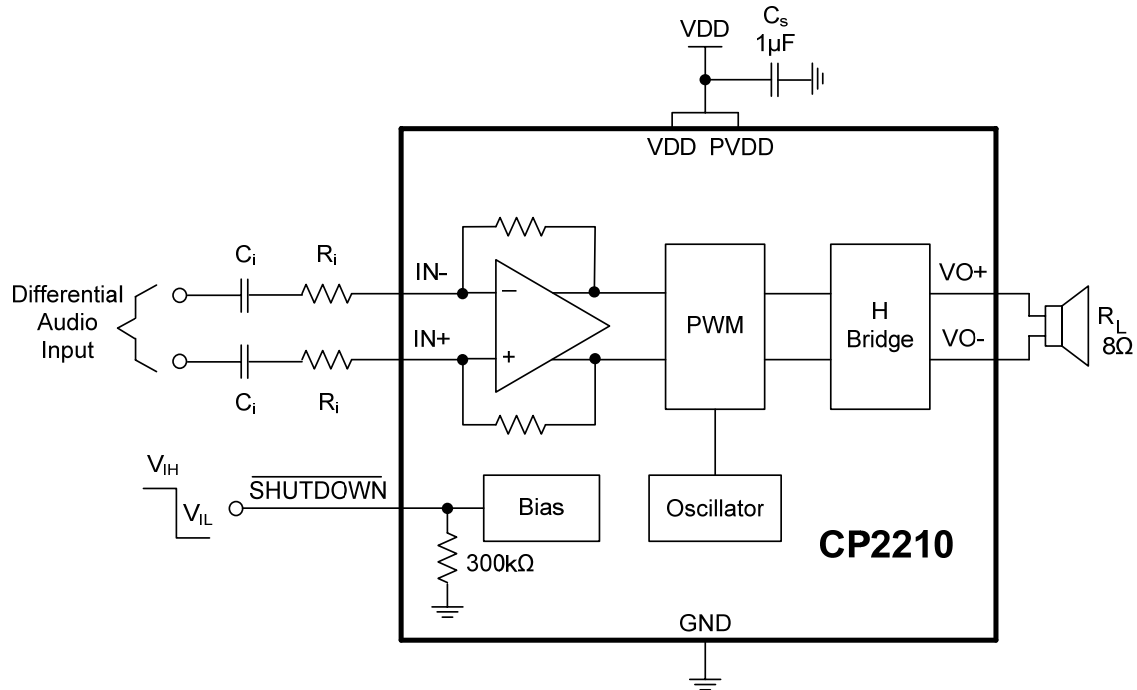


A10LD - CP2210LD  
XY - Manufacture Date Code

### 3W, Mono, Filterless, Class-D Audio Power Amplifier

#### Typical Application

www.datasheet4u.com



#### Contact with Chiphomer

4F, Building D, 1618 Yishan Road Shanghai, 201103, P.R.C.  
 Tel: (86)21-64014543 64058488  
 Fax: (86)21-64050030  
 Sale: sales@chiphomer.com  
 Technical support: support@chiphomer.com  
 Web site: www.chiphomer.com

#### Shenzhen Office:

10D, Building 2, Dushi Yangguang Garden CheGongMiao, Futian District, Shenzhen, 518048, P.R.C.  
 Tel: (86)755-82046706 82047789  
 Fax: (86)755-8204670