
8 channels Capacitive Touch Sensor Controller

www.datasheet4u.com

General Description

The CP2508 is 8 channels capacitive touch panel controller, used for scroll, navigation and selection detection. The controller contains SPI or I²C serial interface, extended GPIO, high PSRR LDO and in-built OSC. The touch status can be read via serial interface or GPIO. Particularly, adjacent sensor suppression (ASS) function ensures only one channel active each time. The range of power is 2.8V ~ 3.6V.

Low-power operation makes the CP2508 ideal for battery-operated systems, such as multimedia portable product. The CP2508 is specified over the -40°C to +85°C temperature range.



QFN-32
- 40 °C ~ 85 °C

Features

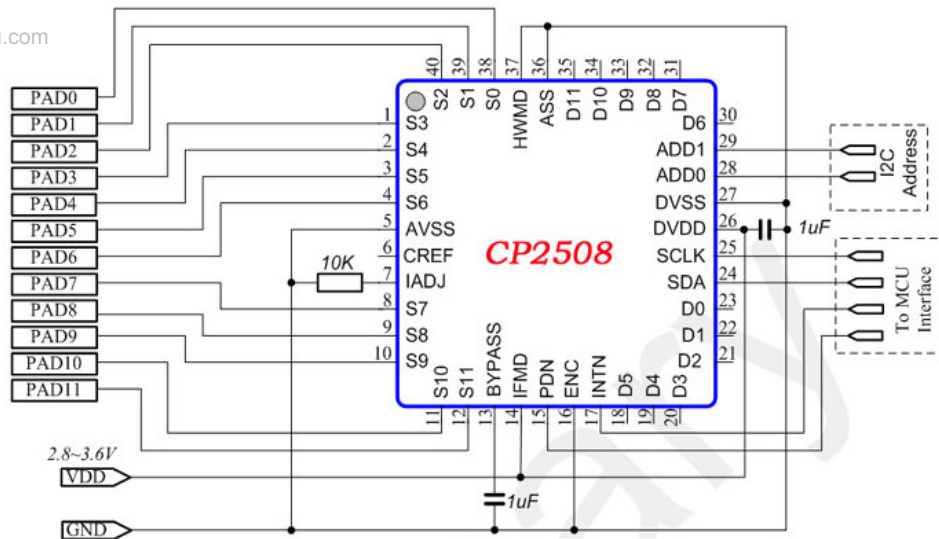
- Up to 8 channels
- Fast touch response time: 15~20 ms
- High capacitance resolution (0.02pF @ 100uA charge current), measurement range is 0~80pF
- Touch status outputs in direct or coded mode optionally
- SPI or I²C interface selectable, and interrupt programmable
- In-built LDO for high PSRR
- Auto compensation the drift of environment (temperature or humidity) and supply voltage.
- In-built oscillator
- 3 types of operation mode: Power-down / Idle / Normal
- Support to configure sensitivity in software or hardware mode
- Adjacent Sensor Suppression (ASS)
- Low power consumption
- 0.35um CMOS process, QFN32 package

Applications

- MP3 players
- Mobile phones
- PC peripherals
- Television controls
- Pointing devices
- Remote controls

8 channels Capacitive Touch Sensor Controller

www.datasheet4u.com



Contact with Chiphomer
4F, Building D, 1618 Yishan Road Shanghai, 201103, P.R.C.
Tel: (86)21-64014543 64058488
Fax: (86)21-64050030
Sale: sales@chiphomer.com
Technical support: support@chiphomer.com
Web site: www.chiphomer.com

Shenzhen Office:
10D, Building 2, Dushi Yangguang Garden CheGongMiao, Futian District, Shenzhen, 518048, P.R.C.
Tel: (86)755-82046706 82047789
Fax: (86)755-8204670