

Adjustable Precision Shunt Regulator

■ Features

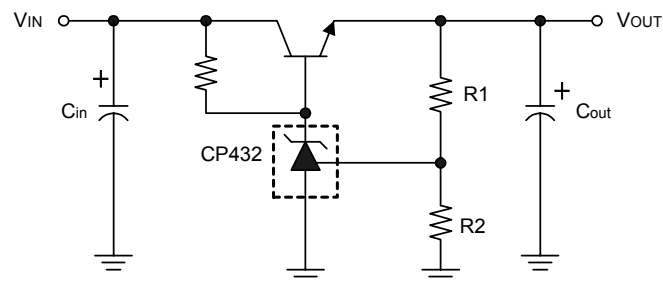
- Precision reference voltage
 - CP432 : $1.24V \pm 1\%$
 - CP432A : $1.24V \pm 0.5\%$
- Sink current capability: 200mA.
- Minimum cathode current for regulation: $150\mu A$
- Equivalent full-range temp coefficient: $30 \text{ ppm}/^{\circ}C$
- Fast turn-on Response.
- Low dynamic output impedance: 0.2Ω
- Programmable output voltage to 20v
- Low output noise
- Packages: SOT89, SOT23, TO92

■ General Description

The CP432/432A are 3-terminal adjustable precision shunt regulators with guaranteed stable temperature over the applicable extended commercial temperature range. The output voltage may be set at any level greater than $1.24V (V_{REF})$ up to 20V merely by selecting two external resistors that act as a voltage divider network. These devices have a typical output impedance of 0.2Ω . Active output circuitry provides very sharp turn-on characteristics, making these devices excellent improved replacements for Zener diodes in many applications.

The precise $\pm 1\%$ reference voltage tolerance of the CP432/432A make it possible in many applications to avoid the use of a variable resistor, consequently saving cost and eliminating drift and reliability problems associated with it.

■ Typical Application Circuit



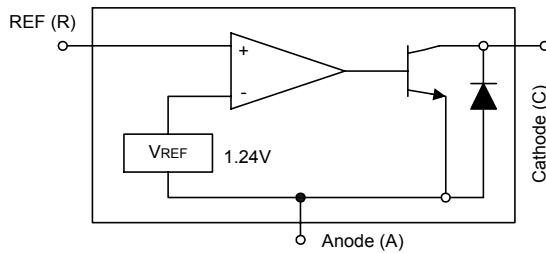
$$V_{OUT} = (1 + R1/R2)V_{REF}$$

Precision Regulator

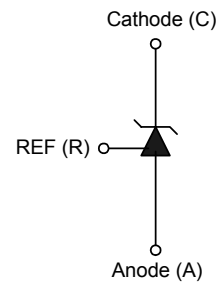
* All specs and applications shown above subject to change without prior notice.

Adjustable Precision Shunt Regulator

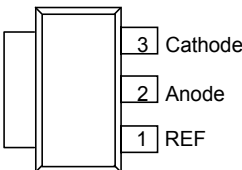
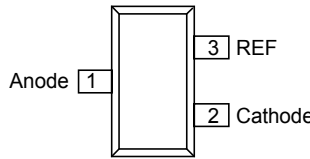
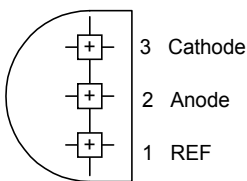
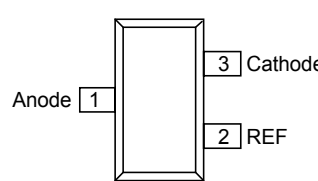
■ Block Diagram



■ Symbol



■ Pin Configuration

Order Number	Pin Configuration (Top View)	Order Number	Pin Configuration (Top View)
CP432Y CP432AY (SOT89)		CP432R CP432AR (SOT23)	
CP432V CP432AV (TO92)		CP432W CP432AW (SOT23)	

* All specs and applications shown above subject to change without prior notice.

Adjustable Precision Shunt Regulator

■ Absolute Maximum Ratings

	Cathode
voltage	20V
Continuous cathode current	-10mA ~ 250mA
Reference input current range	10mA
Operating temperature range (CP432)	-20°C ~ 85°C
(CP432I).....	-40°C~85°C
Lead Temperature.....	260°C
Storage Temperature	-65°C ~ 150°C
Power Dissipation (Notes 1. 2)	SOT89
	0. 80W
	TO92
	0.78W
	SOT23
	0.23W

Note 1: T_J, max =150°C. .

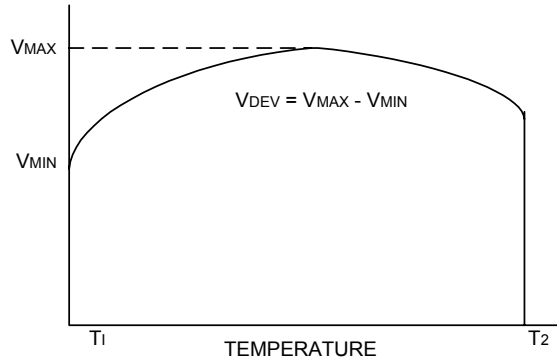
Note 2: Ratings apply to ambient temperature at 25°C.

■ Electrical Characteristics (Ta=25°C, unless otherwise specified.)

Parameter	Test conditions	Symbol	Min.	Typ.	Max.	Unit
Reference voltage	V _{KA} = V _{ref} , I _{KA} = 10mA (Fig.1)	CP432	1.227	1.24	1.252	V
		CP432A	1.233		1.246	
Deviation of reference input voltage over temperature (Note 3)	V _{KA} = V _{REF} , I _{KA} = 10mA, Ta = full range (Fig.1)	V _{REF}		3.0	20	mV
Ratio of the change in reference voltage to the change in cathode voltage	I _{KA} = 10mA (Fig.2) V _{KA} = 20 ~V _{REF}	$\frac{\Delta V_{REF}}{\Delta V_{KA}}$		-1.4	-2.0	mV/V
Reference input current	R1 = 10KΩ, R2 = ∞ I _{KA} = 10mA (Fig.2)	I _{REF}		1.4	3.5	μA
Deviation of reference input current over temperature	R1 = 10KΩ, R2 = ∞ I _{KA} = 10mA Ta = Full range (Fig.2)	αI _{REF}		0.4	1.2	μA
Minimum cathode current for regulation	V _{KA} = V _{REF} (Fig.1)	I _{KA(min)}		0.15	0.3	mA
Off-state current	V _{KA} = 20V, V _{REF} = 0V (Fig.3)	I _{KA(off)}		0.1	1.0	μA
Dynamic output impedance (Note 4)	V _{KA} = V _{REF} ΔI _{KA} = 0.1mA ~ 15mA Frequency ≤ 1KHz (Fig.1)	Z _{KA}		0.2	0.5	Ω

* All specs and applications shown above subject to change without prior notice.

Adjustable Precision Shunt Regulator



Note 3. Deviation of reference input voltage, V_{DEV} , is defined as the maximum variation of the reference over the full temperature range.

The average temperature coefficient of the reference input voltage αV_{REF} is defined as:

$$|\alpha V_{REF}| = \frac{\left(\frac{V_{DEV}}{V_{REF}(25^{\circ}\text{C})}\right) \times 10^6}{T_2 - T_1} \dots\dots\dots (\text{ppm}/^{\circ}\text{C})$$

Where:

$T_2 - T_1$ = full temperature change.

αV_{REF} can be positive or negative depending on whether the slope is positive or negative.

Note 4. The dynamic output impedance, R_Z , is defined as:

$$|Z_{KA}| = \frac{\Delta V_{KA}}{\Delta I_{KA}}$$

When the device is programmed with two external resistors R_1 and R_2 (see Figure 2.), the dynamic output impedance of the overall circuit, is defined as:

$$|Z_{KA}'| = \frac{\Delta V}{\Delta I} \approx |Z_{KA}| \left(1 + \frac{R_1}{R_2}\right)$$

■ Test Circuits

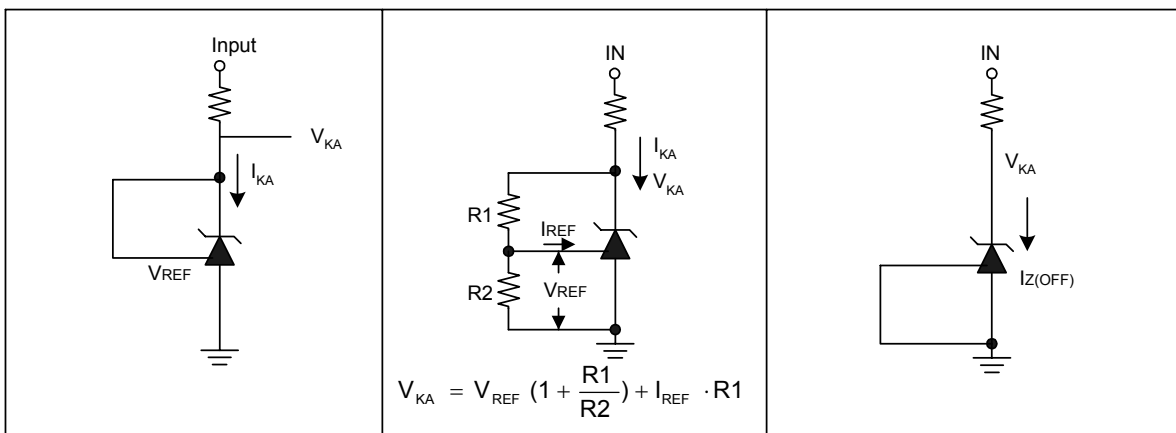


Fig1. Test Circuit for $V_{KA} = V_{REF}$

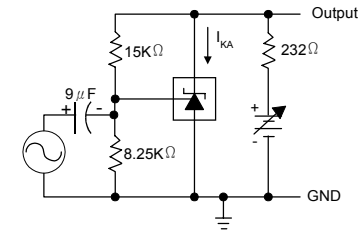
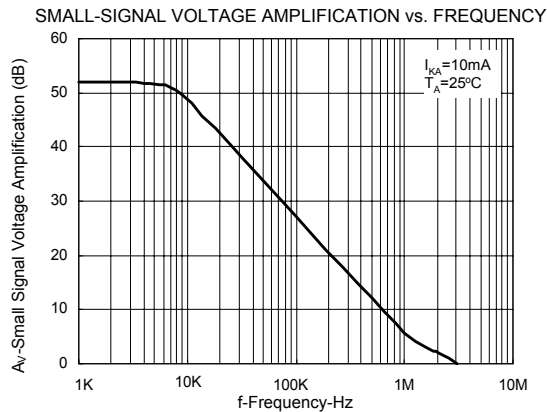
Fig2. Test circuit for $V_{KA} > V_{REF}$

Fig3. Test Circuit for off-state Current

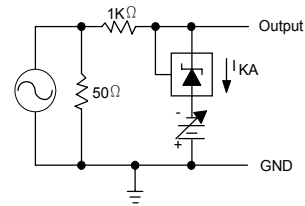
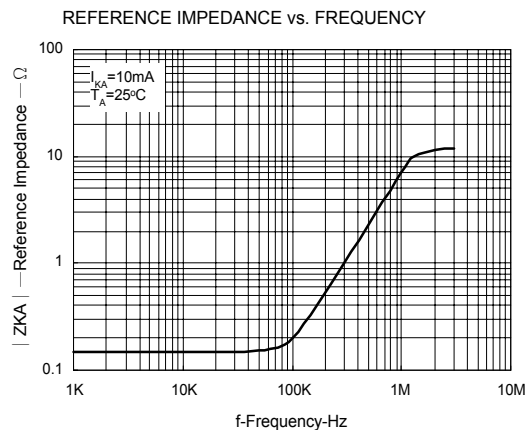
* All specs and applications shown above subject to change without prior notice.

Adjustable Precision Shunt Regulator

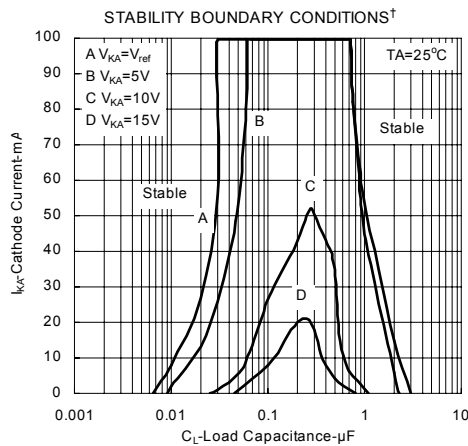
Typical Performance Characteristics



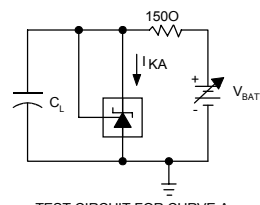
TEST CIRCUIT FOR VOLTAGE AMPLIFICATION



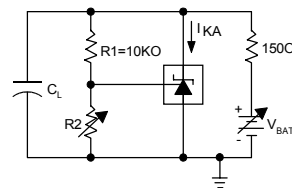
TEST CIRCUIT FOR REFERENCE IMPEDANCE



† The areas under the curves represent conditions that may cause the device to oscillate. For curves B, C, and D, R2 and V+ were adjusted to establish the initial V_{KA} and I_{KA} conditions with $C_L=0$, V_{BATT} and C_L were then adjusted to determine the ranges of stability.



TEST CIRCUIT FOR CURVE A

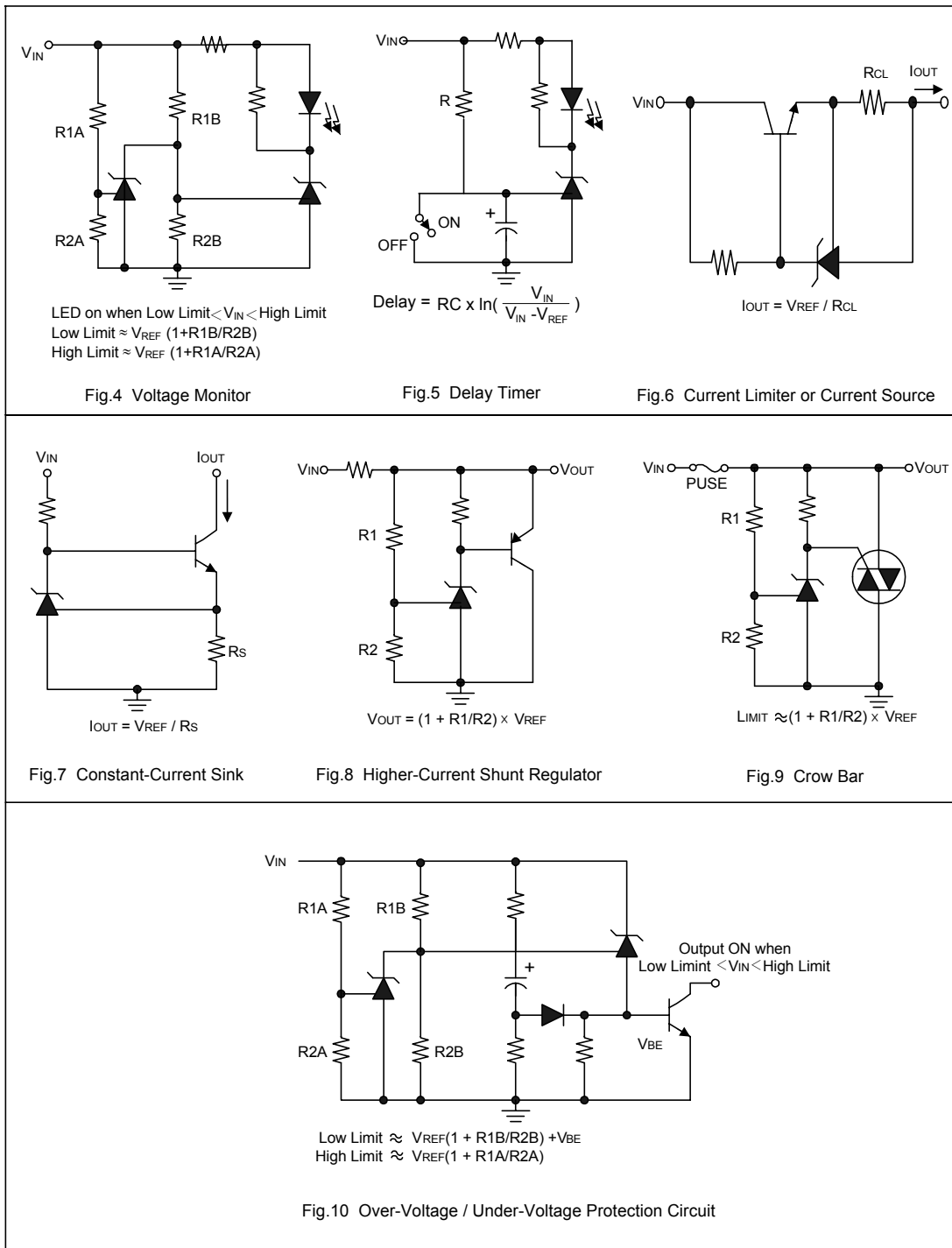


TEST CIRCUIT FOR CURVE B, C, AND D

* All specs and applications shown above subject to change without prior notice.

Adjustable Precision Shunt Regulator

Application Examples

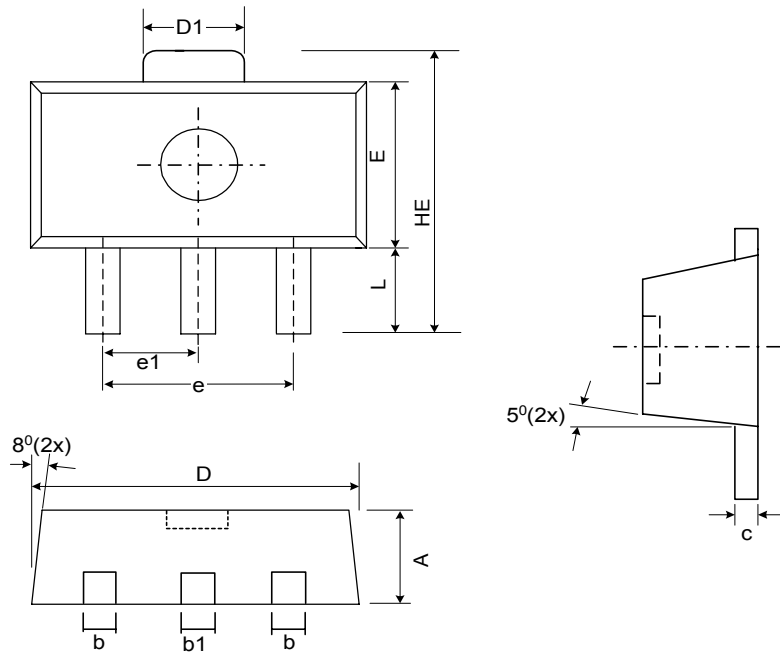


* All specs and applications shown above subject to change without prior notice.

Adjustable Precision Shunt Regulator

■ Package Diagrams

(1) SOT89-3L Package Outline Dimension

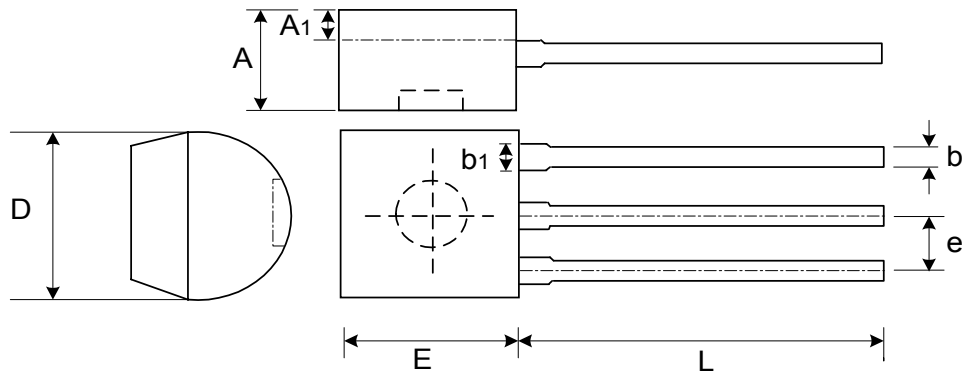


Symbol	Dimensions In Millimeters			Dimensions In Inches		
	Min.	Nom.	Max.	Min.	Nom.	Max.
A	1.40	1.50	1.60	0.055	0.059	0.063
b	0.36	0.42	0.48	0.014	0.016	0.018
b1	0.41	0.47	0.53	0.016	0.043	0.051
C	0.35	0.39	0.43	0.014	0.015	0.017
D	4.40	4.50	4.60	0.173	0.177	0.181
D1	1.40	1.60	1.75	0.055	0.062	0.069
e	2.90	3.00	3.10	0.114	0.118	0.122
e1	1.45	1.50	1.55	0.057	0.059	0.061
E	2.40	2.50	2.60	0.094	0.098	0.102
HE	3.94	-	4.25	0.155	-	0.167
L	0.80	-	1.20	0.031	-	0.047

* All specs and applications shown above subject to change without prior notice.

Adjustable Precision Shunt Regulator

(2) TO92-3L Package Outline Dimension

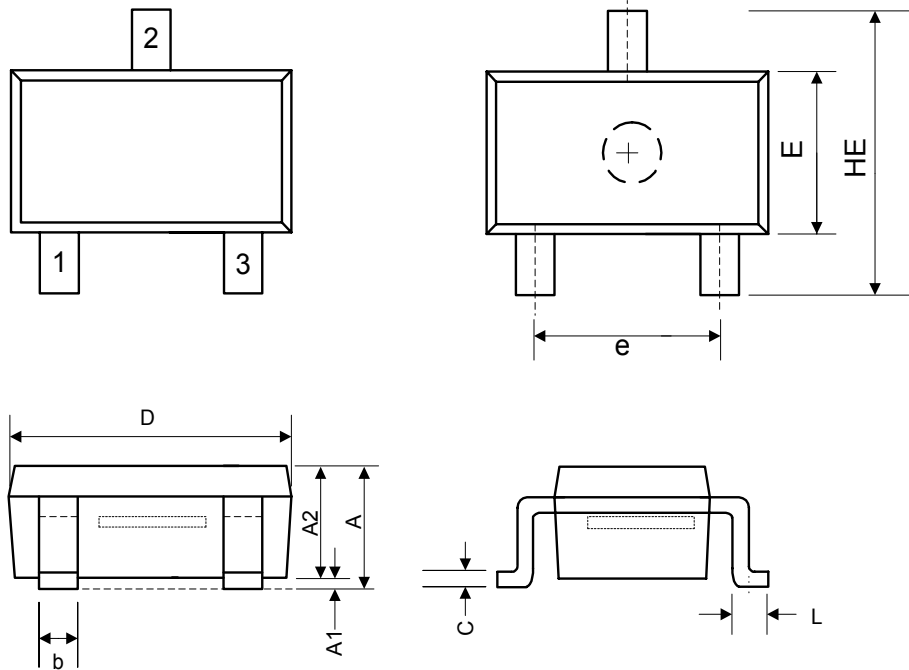


Symbol	Dimensions In Millimeters			Dimensions In Inches		
	Min.	Nom.	Max.	Min.	Nom.	Max.
A	3.302	3.556	3.810	0.130	0.140	0.150
A1	1.016	-	-	0.040	-	-
b	0.330	0.381	0.432	0.013	0.015	0.017
b1	0.406	0.457	0.506	0.016	0.018	0.020
D	4.445	4.572	4.699	0.175	0.180	0.185
E	4.445	4.572	4.699	0.175	0.180	0.185
L	13.00	-	15.500	0.512	-	0.610
e	1.150	1.270	1.390	0.045	0.050	0.055

* All specs and applications shown above subject to change without prior notice.

Adjustable Precision Shunt Regulator

(4) SOT23-3L Package Outline Dimension

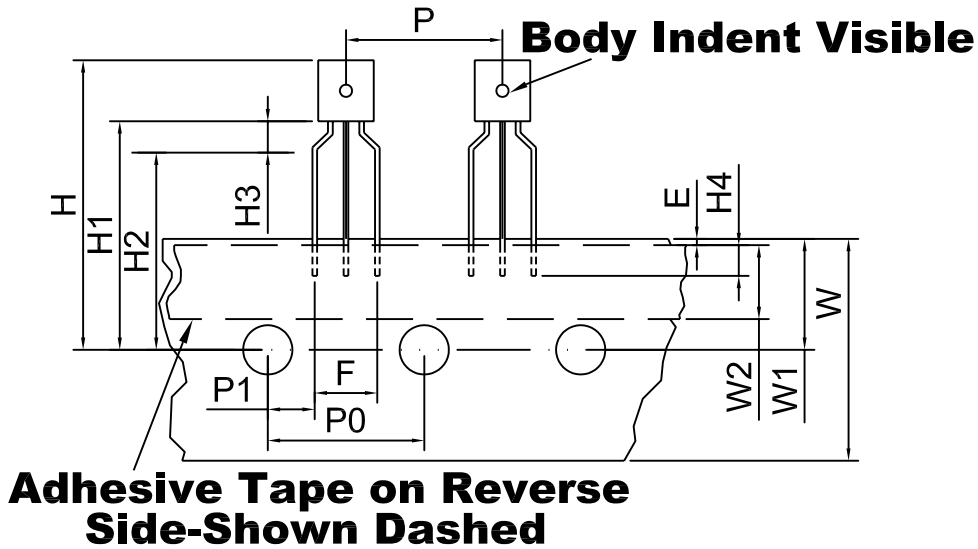


Symbol	Dimensions In Millimeters			Dimensions In Inches		
	Min.	Nom.	Max.	Min.	Nom.	Max.
A	1.00	1.20	1.40	0.039	0.047	0.055
A1	0.00	-	0.10	0.000	-	0.004
A2	1.00	1.15	1.30	0.039	0.045	0.051
b	0.35	-	0.50	0.014	-	0.020
C	0.10	0.175	0.25	0.004	0.007	0.010
D	2.70	2.90	3.10	0.106	0.114	0.122
E	1.40	1.60	1.80	0.055	0.063	0.071
e	1.70	2.00	2.30	0.067	0.079	0.091
HE	2.40	2.70	3.00	0.094	0.106	0.118
L	0.35	0.45	0.55	0.014	0.018	0.022

* All specs and applications shown above subject to change without prior notice.

Adjustable Precision Shunt Regulator

Taping Specifications For TO-92 package



SYMBOL	SPECIFICATIONS (mm)	SPECIFICATIONS (inch)
P	12.7 ± 1.0	0.50 ± 0.07
P0	12.7 ± 1.0	0.50 ± 0.07
P1	3.81 ± 0.4	0.15 ± 0.016
H	21.0~26.0	0.828~1.024
H1	17.0~21.0	0.669~0.828
H2	14.0~18.0	0.551~0.709
H3	3.4 max.	0.125 max.
H4	2.5 min.	0.098 min.
F	5.08 ± 0.2	0.2 ± 0.008
W	18.0 ± 0.5	0.708 ± 0.020
W1	9.0 ± 0.5	0.354 ± 0.020
W2	6.0 ± 0.5	0.236 ± 0.020
ΦD0	4.0 ± 0.2	0.157 ± 0.008
E	0.5 max.	0.020 max.

* All specs and applications shown above subject to change without prior notice.