

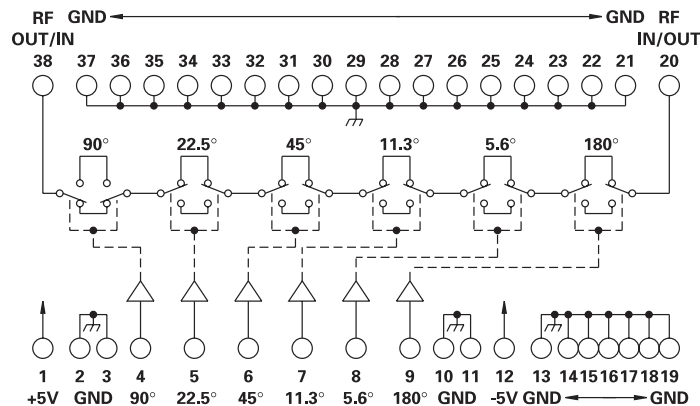
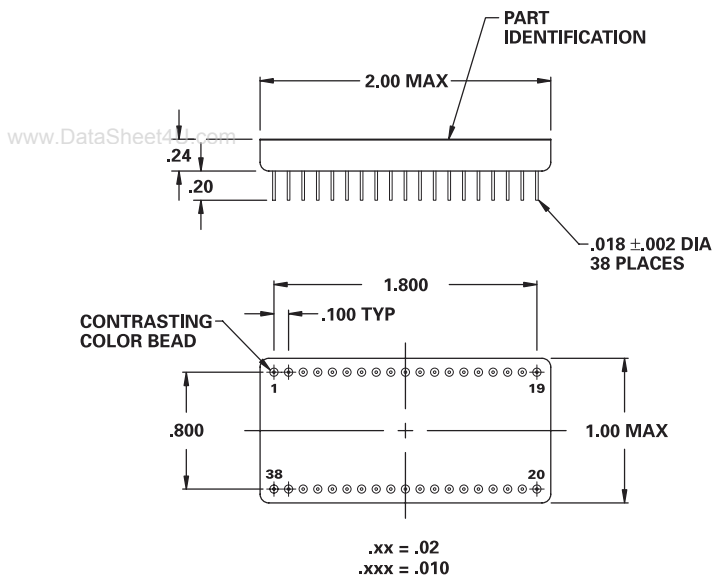
# MODEL NUMBER CPS62036

## Phase Shifter 6 Section

### FEATURES

- 1200-1600 MHz
- Small DIP Package
- Amp/Phase Variation
- 30 nSec Switching Speed
- +41 dB Intercept Point 3rd Order
- 5.6 Degrees LSB

6 BIT



### GUARANTEED PERFORMANCE

Parameter	Min	Typ	Max	Units	Conditions
Operating Frequency	1200		1600	MHz	Phase Tuned At Fr = 1575.42 MHz
DC Current			10	mA	At +5 VDC Supply
			10	mA	At -5 VDC Supply
Control Type		TTL			6 Line Logic "1" = Phase Shift
Control Current	High	-47		μA	V <sub>IH</sub> = +2.7 V
	Low	-89		μA	V <sub>IL</sub> = +0.5 V
Insertion Loss		7	7.5	dB	
Amplitude Vs. Phase Variation			±0.25	dB	
Phase Shift	Steps			DEG	90, 22.5, 45, 11.3, 5.6, 180
	LSB			DEG	5.6°
	Range			DEG	354, 375
	Accuracy		±3	DEG	
VSWR			1.6/1		
Impedance		50		OHMS	
Switching Speed			30	nSec	50% TTL to 90% / 10% RF
Transition (Rise/Fall) Time				nSec	10% / 90% or 90% / 10% RF
Switching (Video) Transients				mV	Peak Value
Intercept Points	2nd	+68		dBm	MHz
	3rd	+41		dBm	MHz
RF Power	Operate	+20		dBm	0.1 dB Compression
	No Damage	+30		dBm	
Operating Temperature	-55	+25	+85	°C	TA

