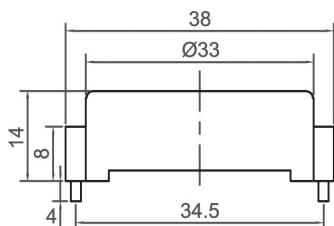
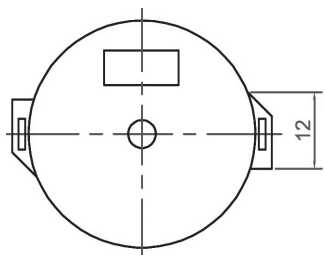
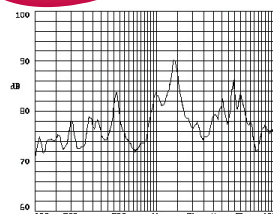


External Drive Piezo Transducer (AC)



CPT3914

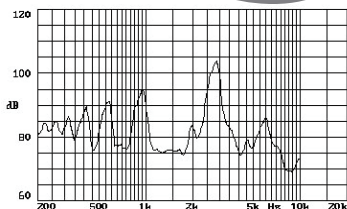
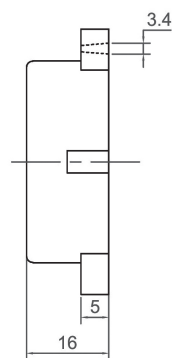
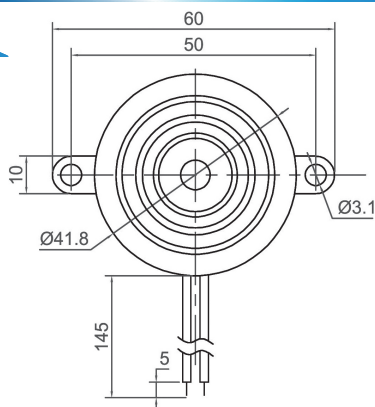


Canopus Part no.	Min sound Output (dBA)	Rated Voltage (V)	Max Input Voltage (V)	Resonant Frequency (Hz)	Capacitance (pF)	Operating Temperature (°C)	Housing	Weight (g)
CPT3914G13TP	80 AT 10cm	9 Vp-p	40 Vp-p	1300	48000 ± 30% at 120Hz	-20 ~ +70	PBT	5

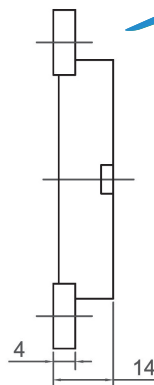
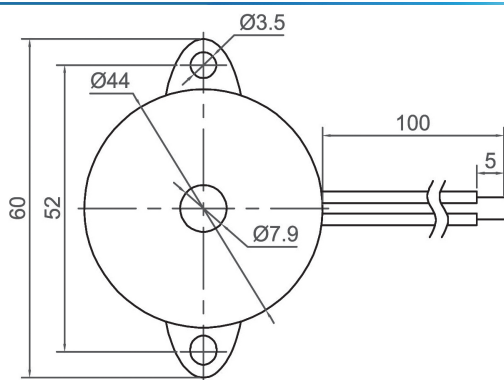
CANOPUS



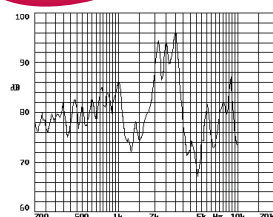
CPT4216



Canopus Part no.	Min sound Output (dBA)	Rated Voltage (V)	Max Input Voltage (V)	Resonant Frequency (Hz)	Capacitance (pF)	Operating Temperature (°C)	Housing	Weight (g)
CPT4216I28BW	90 AT 30cm	12 Vp-p	30 Vp-p	2800	35000 ± 30% at 120Hz	-20 ~ +60	ABS	10



CPT4414



Canopus Part no.	Min sound Output (dBA)	Rated Voltage (V)	Max Input Voltage (V)	Resonant Frequency (Hz)	Capacitance (pF)	Operating Temperature (°C)	Housing	Weight (g)
CPT4414I10BW	80 AT 30cm	12 Vp-p	30 Vp-p	1000	66000 ± 30% at 120Hz	-30 ~ +60	ABS	12

Your Efficient Supplier
www.canopus.com.hk

TEL.: (852) 2806 2812

Fax: (852) 2652 2216