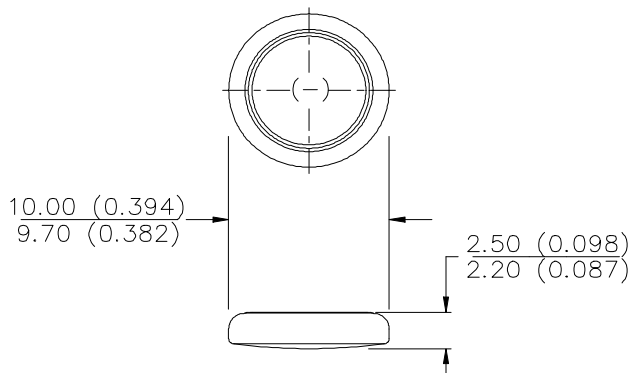


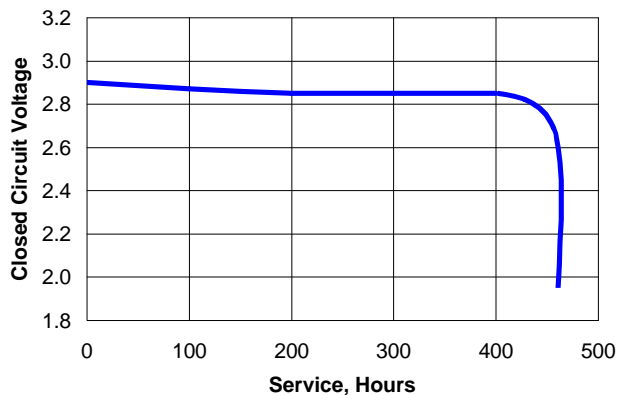
EVEREADY BATTERY CO. 1-800-383-7323 / USA
 Internet: www.energizer.com 1-800-383-7323 / CANADA
 + 44 (0) 208 920 2306 / EUROPE

ENERGIZER NO. CR1025

Industry Standard Dimensions in mm (inches)

**Chemical System:** Lithium / Manganese Dioxide (Li/MnO₂)**Designation:** IEC-CR1025**Battery Voltage:** 3.0 Volts**Average Weight:** 0.7 grams (0.02 oz.)**Volume:** 0.2 cubic centimeters (0.01 cubic inch)**Average Capacity:** 30 mAh to 2.0 volts
(Rated at 45k ohms continuous at 21°C)**Maximum Reverse****Charge Current:** 1 microampere**Energy Density:** 124 milliwatt hr/g, 435 milliwatt hr/cc**TYPICAL DISCHARGE CURVE**

Simulated Test @ 21°C (70°F)



Simulated Application Test
 Estimated Average Service at 21°C (70°F)

Schedule:	Typical Drains at 2.9V (microamperes)	Load (ohms)	Cutoff Voltage
			2.0V
24 hours/day	64	45,000	467 Hours

Important Notice

This data sheet contains information specific to batteries manufactured at the time of its publication.

Contents herein do not constitute a warranty.

Copyright © Eveready Battery Co. Inc. - All Rights Reserved