

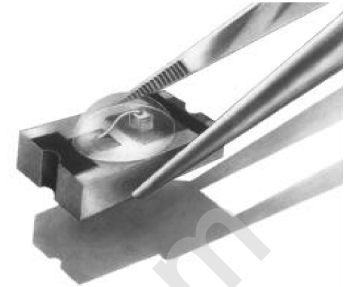
**CR 10 A**

**Features**

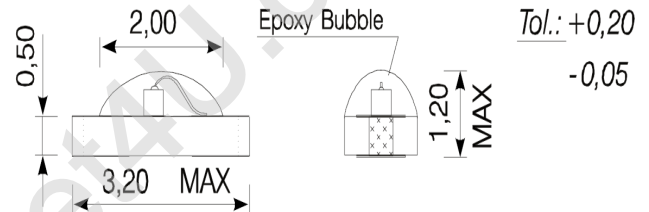
- Solid State Ceramic Chip
- Surface Mounting Device
- High Power Thermal Absorbtion
- Superior Light Uniformity Over 180°
- End to End Side to Side Stackable Down to a Pitch of 1,33mm
- Solder Pads Conform to Mil-Std 883B
- Amber Clear Lens

**Applications**

- Ideal For Back Light Applications
- Custom Configurations
- Applications for Night Light Conditions

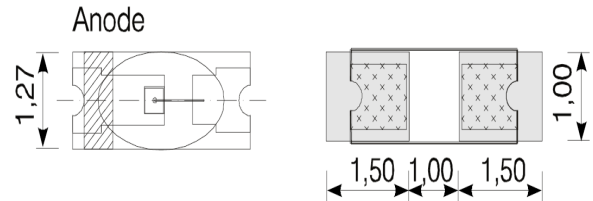


ALL MEASUREMENTS IN mm



**Maximum Ratings (Ta=25°C)**

Characteristic	Symbol	Max.	Unit
Forward Current	I <sub>F</sub>	75	mA
Reverse Voltage	V <sub>R</sub>	100	V
Power Dissipation	P <sub>D</sub>	130.00	mW
Operating Temperature	T <sub>opr</sub>	-25 ~ +80	°C
Storage Temperature	T <sub>stg</sub>	-25 ~ +120	°C
Soldering Temperature	T <sub>sol</sub>	250	°C
Soldering Time	-	for 10 sec. max	-



**Opto-Electrical Characteristics (Ta=25°C)**

Characteristic	Symbol	Test Condition	Min	Typ	Max	Unit
Forward Voltage	V <sub>F</sub>	I <sub>F</sub> =20mA	-	2.20	2.40	V
Reverse Current	I <sub>R</sub>	V <sub>R</sub> =5V	-	-	100	μA
Luminous Intensity	I <sub>v</sub>	I <sub>F</sub> =20mA	1.80	5.30	-	mcd
Viewing Angle	2θ <sup>1/2</sup>	-	-	180°	-	deg.
Peak Wavelength	λ <sub>p</sub>	I <sub>F</sub> =20mA	-	612	-	nm
Dominant Wavelength	λ <sub>d</sub>	I <sub>F</sub> =20mA	-	605	-	nm
Spectral Line Half Width	Δλ	I <sub>F</sub> =20mA	-	15	-	nm

**Company Headquarters**  
120 Broadway  
Menands, New York 12204  
Toll Free: 800.984.5337  
Fax: 518.432.7454

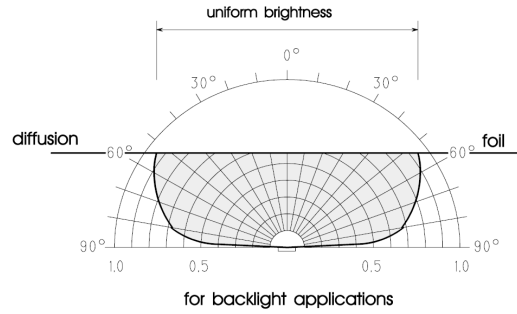
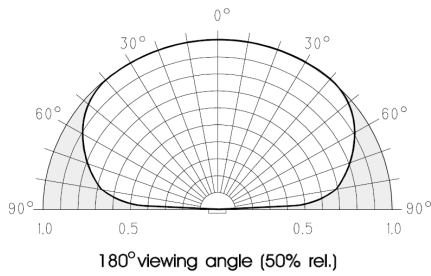


Web: www.marktechopto.com | Email: info@marktechopto.com

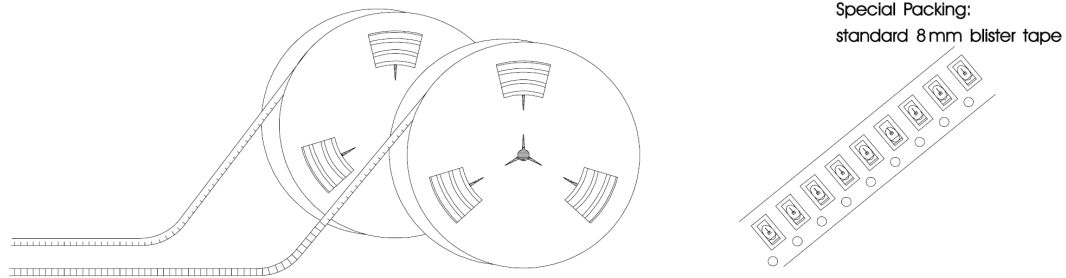
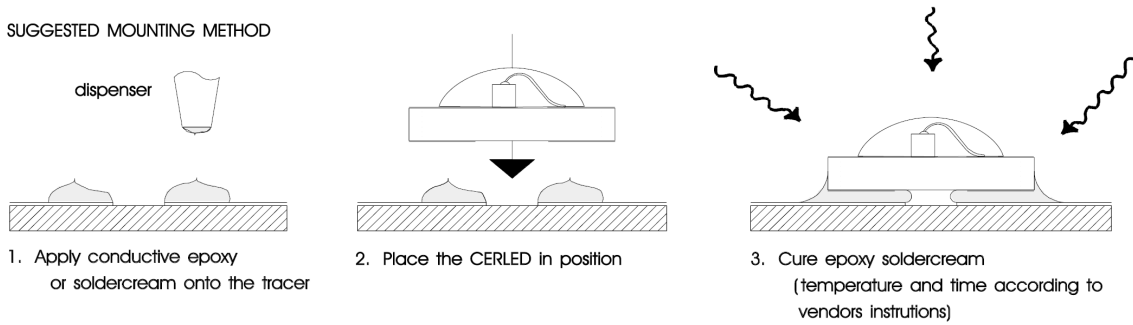
**West Coast Sales Office**  
950 South Coast Drive, Suite 265  
Costa Mesa, California 92626  
Toll Free: 800.984.5337  
Fax: 714.850.9314

www.DataSheet4U.com

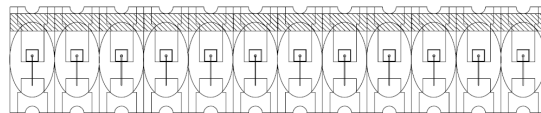
**CR 10 A Graphs**



**SUGGESTED MOUNTING METHOD**



**ARRAYS**



code to order strips:  
CR10 XX -\_\_10  
No of LEDs

Available in strips up to 12 CERLEDs with a max. pitch tolerance in spacing and linearity of  $\pm 0,01$  mm between chip centers.