



BOURNS®

Features

- Very high quality and stability
- Power rating at 70 °C: CR1210 - 1/3 W
- Three layer termination process with nickel barrier prevents leaching and provides excellent solderability
- Tight tolerances of bottom electrode width

- Suitable for most types of soldering processes
- Standard packaging on tape and reel

CR1210 - Chip Resistor

Electrical Characteristics

Characteristic	Model CR1210
Power Rating @ 70 °C	1/3 W
Operating Temperature Range	-55 °C to +125 °C
Derated to 0 Load at	+125 °C
Maximum Working Voltage	200 V
Maximum Overload Voltage	400 V
Resistance Range: 1 %, E-96 + E-24 5 %, E-24	10 ohms to 1 megohm 1 ohm to 10 megohms 0 ohm Jumper <50 milliohms
Temperature Coefficient: 1 % Tolerance 5 % Tolerance	±100 ppm/°C ±200 ppm/°C

Chip Dimensions

Dimension	Model CR1210
L	3.10 ± 0.10 (0.197 ± 0.008)
W	2.55 ± 0.10 (0.100 ± 0.004)
H	0.55 ± 0.10 (0.022 ± 0.004)
l ₁	0.50 ± 0.20 (0.020 ± 0.008)
l ₂	0.50 ± 0.20 (0.020 ± 0.008)

How To Order

CR 1210 - F X - 8252 - E

Model _____
(CR = Chip Resistor)

Size _____
• 1210

Resistance Tolerance _____
F = ±1 %
J = ±5 % (Jumper)

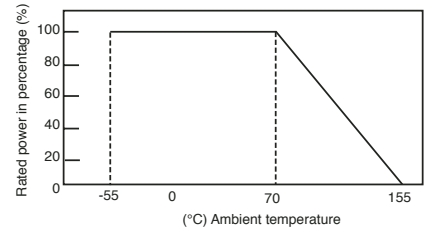
TCR (ppm/°C) _____
X = ±100
W = ±200
/ = -250 to +500

Resistance Value _____

- For 1 % Tolerance: First three digits are significant, fourth digit is number of zeros to follow.
- For 5% Tolerance: First two digits are significant, third digit is number of zeros to follow.

Packaging _____
E = Paper Tape, Plastic Reel, 5,000 pcs.

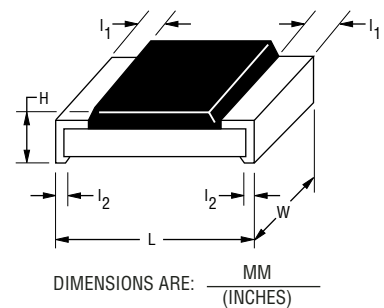
Derating Curve



Marking Explanation

- E-24: 3 digits, first two digits are significant, third digit is number of zeros to follow. Letter R is decimal point.
- E-96: 4 digits, first three digits are significant, fourth digit is number of zeros to follow. Letter R is decimal point.

Dimensional Drawing



Asia-Pacific:
TEL +886-2 25624117
FAX +886-2 25624116

Europe:
TEL +41-41 7685555
FAX +41-41 7685510

The Americas:
TEL +1-951 781-5500
FAX +1-951 781-5700

www.bourns.com