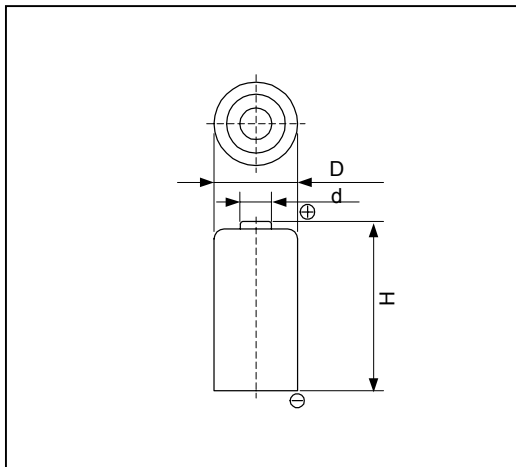


Cell Type CR123A Specifications



Nominal Capacity ^{*1}		1400mAh
Nominal Voltage		3V
Standard Discharge Current		10mA
Max. Discharge Current	Continuous ^{*2}	1500mA
	Pulse ^{*3}	3500mA
Temperature Range		-40°C ~ 60°C
Weight		17g
Dimensions	D	17.0mm
	H	34.5mm
	d	6.3mm

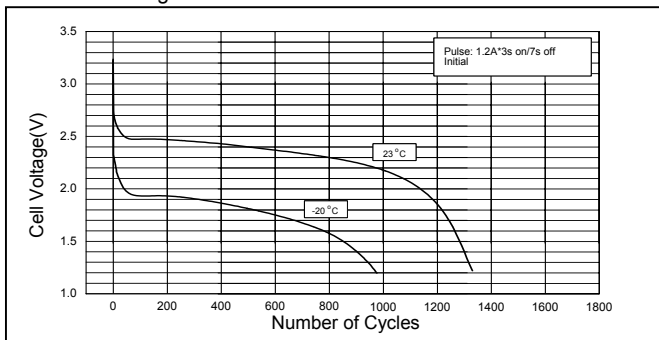
*1 Nominal capacity is determined to an end voltage of 2.0V when the battery is allowed to discharge at a standard current level at 23°C.

*2 Current value is determined to be the level at which 50% of the nominal capacity is obtained with an end voltage of 2.0V at 23°C.

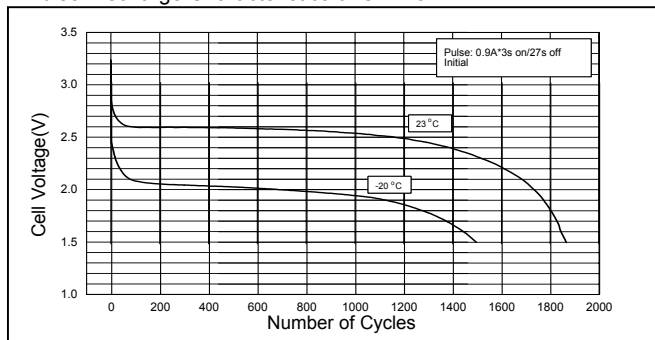
*3 Current value for obtaining 1.0V cell voltage when pulse is applied for 15seconds at 50% discharge depth at 23°C.

Typical Characteristics

Pulse Discharge Characteristics of CR123A



Pulse Discharge Characteristics of CR123A



Discharge Characteristics of CR123A

