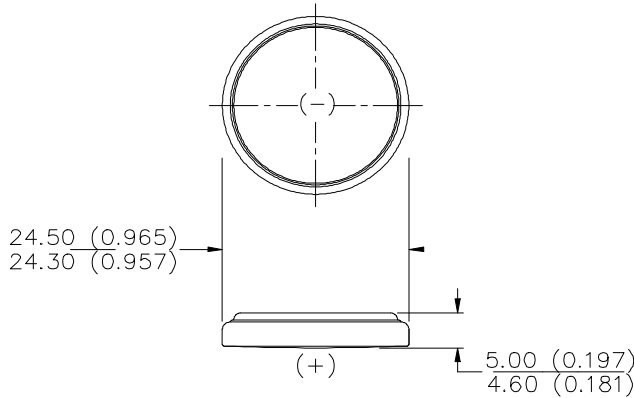


EVEREADY BATTERY CO. 1-800-383-7323 / USA
 Internet: www.energizer.com 1-800-383-7323 / CANADA
 + 44 (0) 208 920 2306 / EUROPE

ENERGIZER NO. CR2450



Industry Standard Dimensions in mm (inches)

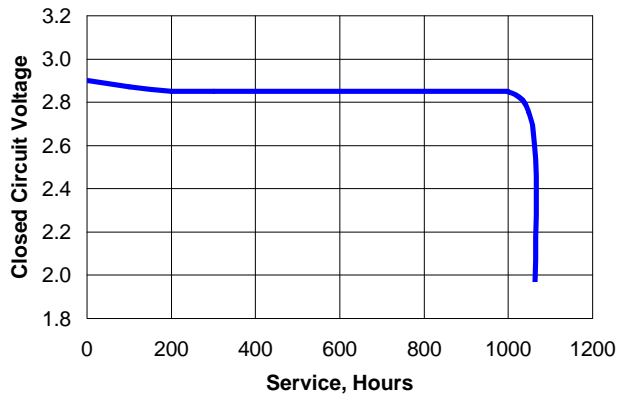


Chemical System: Lithium / Manganese Dioxide (Li/MnO₂)

Battery Voltage: 3.0 Volts
Average Weight: 6.9 grams (0.24 oz.)
Volume: 2.4 cubic centimeters (0.14 cubic inch)
Average Capacity: 575 mAh to 2.0 volts
 (Rated at 5.1k ohms continuous at 21°C)

Maximum Reverse Charge Current: 1 microampere
Energy Density: 183 milliwatt hr/g, 647 milliwatt hr/cc

TYPICAL DISCHARGE CURVE
 Simulated Test @ 21°C (70°F)



Simulated Application Test
 Estimated Average Service at 21°C (70°F)

Schedule:	Typical Drains at 2.9V (microamperes)	Load (ohms)	Cutoff Voltage
			2.0V
24 hours/day	568	5,100	1,060 Hours

Important Notice

This data sheet contains information specific to batteries manufactured at the time of its publication.

Contents herein do not constitute a warranty.

Copyright © Eveready Battery Co. Inc. - All Rights Reserved