

# CERLED® Ceramic Chip SMD

SMD – Wide-Viewing Angle  
Low Profile  
CR 60 G green



## Description

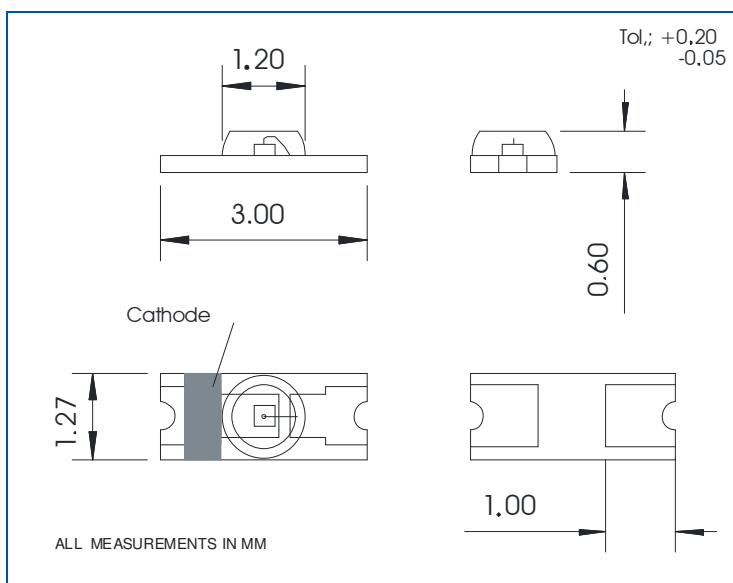
The solder pads provide an excellent heat sink. For multi-colour displays just choose 2 or more CERLEDs and mount them side by side or even antiparallel. Ideal for back - light applications. Small true chip - LED to build custom configurations.

Available on special order in 8 mm blister tape.

The CR 60 G has a clear epoxy lens.

## Features and Benefits

- ▶ Solid state ceramic chip
- ▶ Surface mounting device
- ▶ High thermal conductivity
- ▶ Superior light uniformity
- ▶ End - to - end and side - to - side stackable down to a pitch of 1.3 mm



### Maximum Ratings at 25 ° C

Power dissipation	$P_{tot}$	130 mW
Derating linear		2.4 mW / ° C
Peak forward current	$I_{FSM}$ (10 $\mu$ s)	100 mA
Continuous forward current	$I_F$	30 mA
Junction temperature	$T_j$	120 ° C
Storage temperature	$T_{st}$	-20 ° C to 120 ° C
Operating temperature	$T_{op}$	-20 ° C to 80 ° C
Soldering temperature	$T_{sold}$ (10 s)	240 ° C

Adequate heat sink is required. Derating must be observed to maintain junction temperature below maximum. Please note our recommended solder profile at [www.optoelectronics.perkinelmer.com](http://www.optoelectronics.perkinelmer.com).

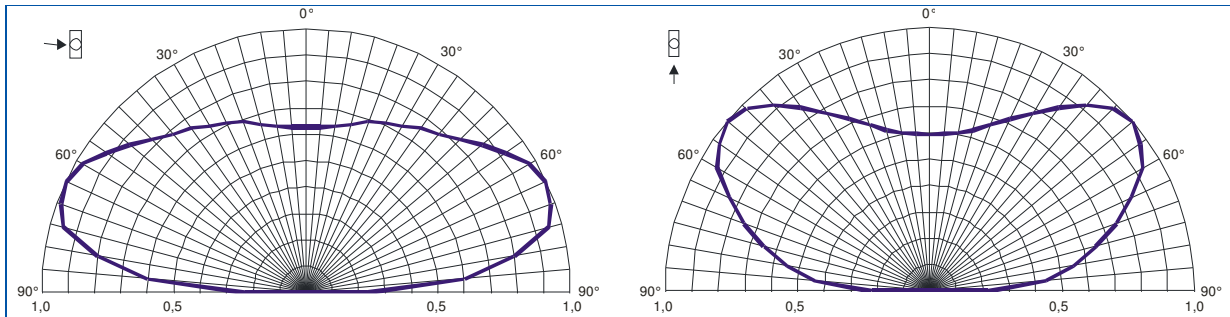
### Optical and Electronic Characteristics at 25 ° C

$I_F = 20$  mA, ambient temperature = 25 ° C

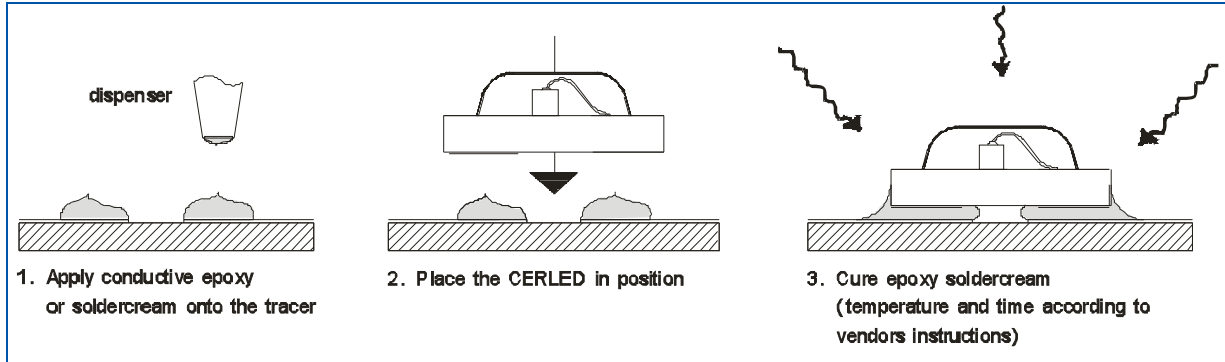
	min	typ	max	unit
Luminous intensity	150	180		mcd
Peak emission wavelength		525		nm
Spectral half bandwidth		35		nm
Forward voltage		3.3	3.8	V
Reverse leakage @ 5 V			10	$\mu$ A
Reverse voltage	5			V
Light emission angle		170°		Degree

Note: according IEC 60825-1 (EN60825-1):  
LED Radiation class 1

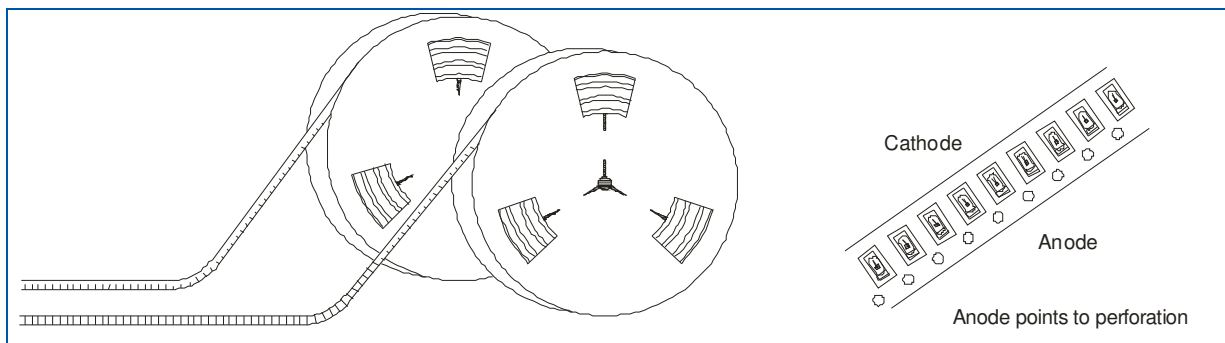
Figure 1



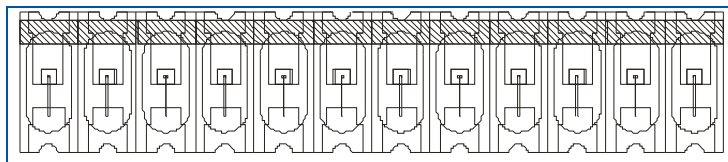
**Figure 2**  
Suggested Mounting Method



**Figure 3**  
Special Packaging Standard 8 mm Blister Tape



**Figure 4**  
Arrays: Available in strips up to 12 CERLEDs with a max. pitch tolerance in spacing and linearity of  $\pm 0.01$  mm between chip centers.



Code to order strips:  
CR 60 g – XX (no. of LEDs)

**PerkinElmer Elcos GmbH**  
European Customer Support for LED Solutions  
Luitpoldstrasse 6  
85276 Pfaffenhofen, Germany  
Telephone: (+49)8441-8917-0  
Fax: (+49)8441-71910  
Elcos.sales@perkinelmer.com

**European Headquarters**  
Wenzel-Jaksch-Strasse 31  
65199 Wiesbaden, Germany  
Telephone: (+49)611-492-247  
Fax: (+49)611-492-170  
opto.Europe@perkinelmer.com

**North America Customer Support Hub**  
22001 Dumberry Road  
Vaudreuil-Dorion, Québec  
Canada J7V 8P7  
Telephone: (+1) 450-424-3300  
(+1) 866-574-6786 (toll-free)  
Fax: (+1) 450-424-3345  
opto@perkinelmer.com

**Asia Customer Service Hub**  
47 Ayer Rajah Crescent #06-12  
Singapore 139947  
Telephone: (+65)6775-2022  
(+65)67704-366  
Fax: (+65)6775-1008  
opto.Asia@perkinelmer.com



For a complete listing of our global offices, visit [www.optoelectronics.perkinelmer.com](http://www.optoelectronics.perkinelmer.com)

©2005 PerkinElmer, Inc. All rights reserved. The PerkinElmer logo and design are registered trademarks of PerkinElmer, Inc. CERLED® is a trademark of PerkinElmer, Inc. or its subsidiaries, in the United States and other countries. All other trademarks not owned by PerkinElmer, Inc. or its subsidiaries that are depicted herein are the property of their respective owners. PerkinElmer reserves the right to change this document at any time without notice and disclaims liability for editorial, pictorial or typographical errors.  
600073\_01 DTS1005