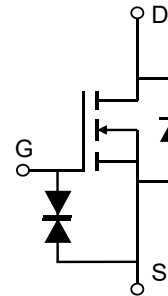


Description

Features

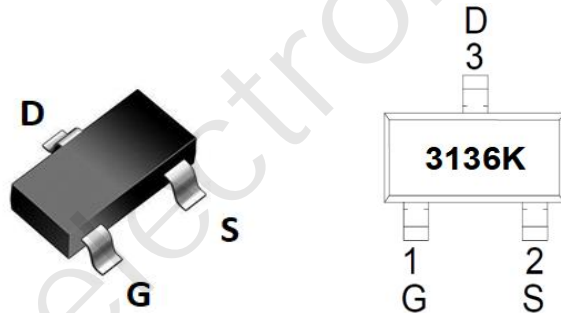
- 20V, 0.7A
 $R_{DS(ON)}$ Typ = 273mΩ @ $V_{GS} = 4.5V$
 $R_{DS(ON)}$ Typ = 366mΩ @ $V_{GS} = 2.5V$
- Advanced Trench Technology
- Excellent $R_{DS(ON)}$ and Low Gate Charge
- Lead Free
- ESD Protected: 2KV



Schematic Diagram

Application

- Load Switch
- PWM Application
- Power Management



Marking and Pin Assignment

Package Marking and Ordering Information

Device	Marking	Package	Outline	Reel Size	Reel (pcs)	Per Carton (pcs)
CRMLTU3136K	3136K	SOT-23	TAPING	7"	3000	120000

Absolute Maximum Ratings (@ $T_J = 25^\circ C$ unless otherwise specified)

Symbol	Parameter	Value	Units
V_{DS}	Drain-to-Source Voltage	20	V
V_{GS}	Gate-to-Source Voltage	±10	V
I_D	Continuous Drain Current	$T_A = 25^\circ C$	0.7
		$T_A = 100^\circ C$	0.42
I_{DM}	Pulsed Drain Current ⁽¹⁾	2.8	A
P_D	Power Dissipation	$T_A = 25^\circ C$	0.25
$R_{\theta JA}$	Thermal Resistance, Junction to Ambient ⁽²⁾	500	°C/W
T_J, T_{STG}	Junction & Storage Temperature Range	-55 to 150	°C

Electrical Characteristics (T_J = 25°C unless otherwise specified)

Symbol	Parameter	Conditions	Min.	Typ.	Max.	Unit
Off Characteristics						
V _{(BR)DSS}	Drain-Source Breakdown Voltage	I _D = 250μA, V _{GS} = 0V	20	-	-	V
I _{DSS}	Zero Gate Voltage Drain Current	V _{DS} = 20V, V _{GS} = 0V	-	-	1.0	μA
I _{GSS}	Gate-Body Leakage Current	V _{DS} = 0V, V _{GS} = ±10V	-	-	±10	μA
On Characteristics						
V _{GS(th)}	Gate Threshold Voltage	V _{DS} = V _{GS} , I _D = 250μA	0.4	0.6	1	V
R _{DS(ON)}	Static Drain-Source ON-Resistance ⁽³⁾	V _{GS} = 4.5V, I _D = 0.5A	-	273	355	mΩ
		V _{GS} = 2.5V, I _D = 0.3A	-	366	476	mΩ
Dynamic Characteristics						
C _{iss}	Input Capacitance	V _{GS} = 0V, V _{DS} = 10V, f = 1MHz	-	23	-	pF
C _{oss}	Output Capacitance		-	6	-	pF
C _{rss}	Reverse Transfer Capacitance		-	4	-	pF
Q _g	Total Gate Charge	V _{GS} = 0 to 4.5V V _{DS} = 10V, I _D = 0.5A	-	0.4	-	nC
Q _{gs}	Gate Source Charge		-	0.04	-	nC
Q _{gd}	Gate Drain("Miller") Charge		-	0.1	-	nC
Switching Characteristics						
t _{d(on)}	Turn-On DelayTime	V _{GS} = 4.5V, V _{DD} = 10V I _D = 0.5A, R _{GEN} = 6Ω	-	0.8	-	ns
t _r	Turn-On Rise Time		-	1.5	-	ns
t _{d(off)}	Turn-Off DelayTime		-	2.2	-	ns
t _f	Turn-Off Fall Time		-	1.7	-	ns
Drain-Source Diode Characteristics and Max Ratings						
I _S	Maximum Continuous Drain to Source Diode Forward Current		-	-	0.7	A
I _{SM}	Maximum Pulsed Drain to Source Diode Forward Current		-	-	2.8	A
V _{SD}	Drain to Source Diode Forward Voltage	V _{GS} = 0V, I _S = 0.5A	-	-	1.2	V

- Notes:
1. Repetitive Rating: Pulse Width Limited by Maximum Junction Temperature.
 2. R_{θJA} is measured with the device mounted on a 1inch² pad of 2oz copper FR4 PCB
 3. Pulse Test: Pulse Width ≤ 300μs, Duty Cycle ≤ 0.5%.

Test Circuit

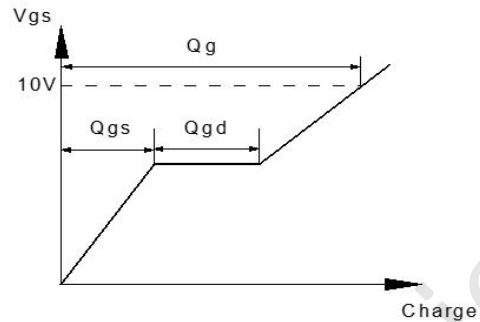
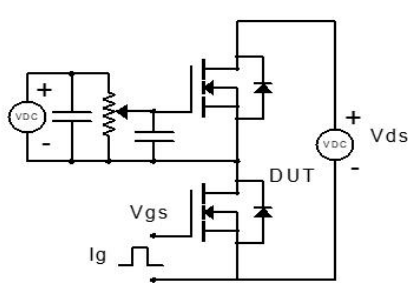


Figure 1: Gate Charge Test Circuit & Waveform

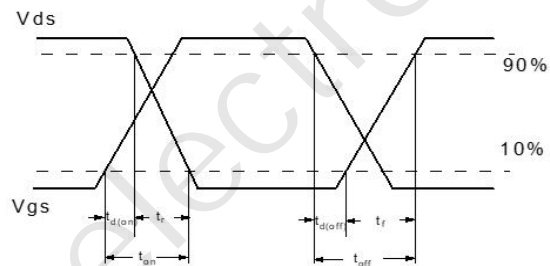
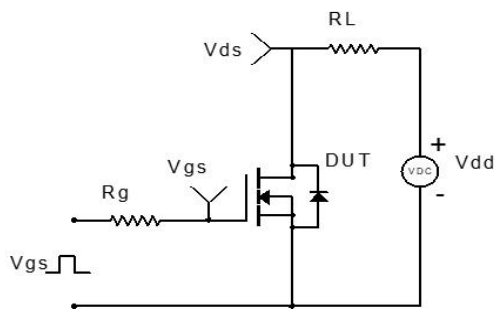


Figure 2: Resistive Switching Test Circuit & Waveform

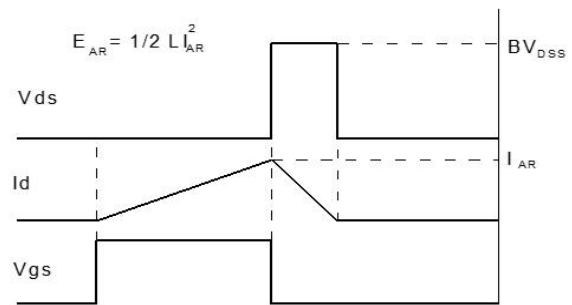
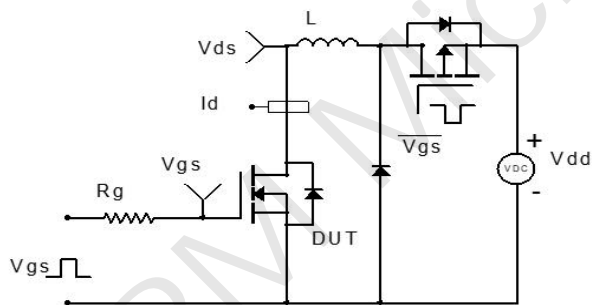


Figure 3: Unclamped Inductive Switching Test Circuit & Waveform

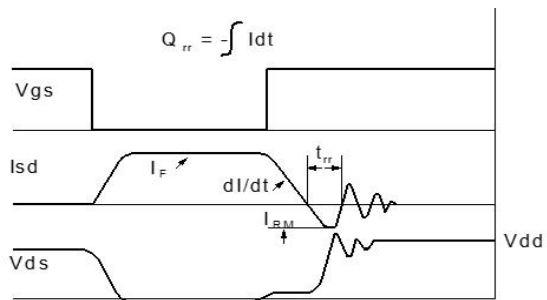
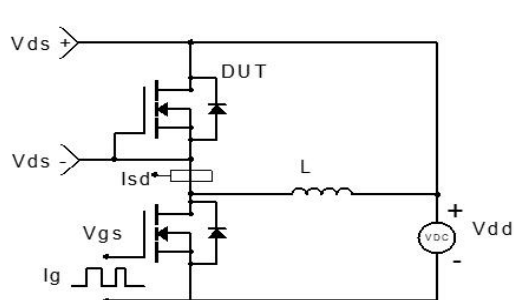
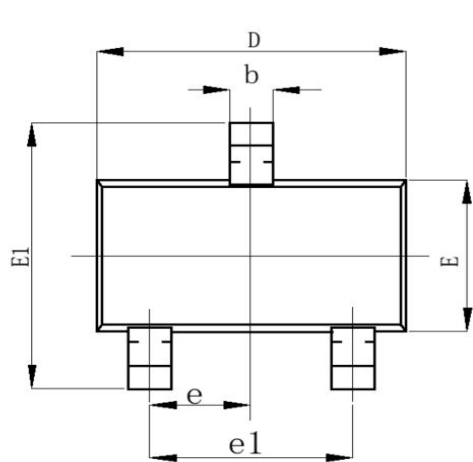
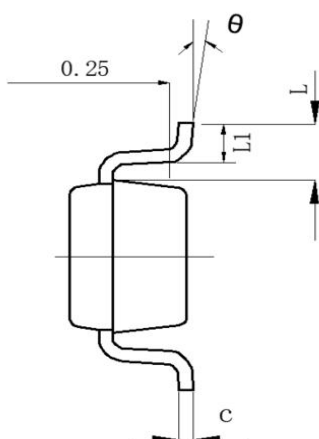


Figure 4: Diode Recovery Test Circuit & Waveform

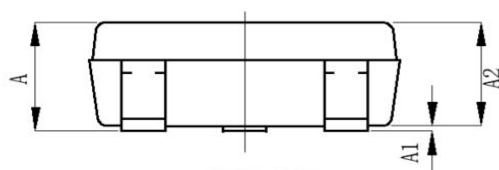
Package Mechanical Data(SOT-23)



TOP VIEW



SIDE VIEW



SIDE VIEW


COMMON DIMENSIONS In Millimeters		
SYMBOL	MIN	MAX
A	0.900	1.150
A1	0.000	0.100
A2	0.900	1.050
b	0.300	0.500
c	0.080	0.150
D	2.800	3.000
E	1.200	1.400
E1	2.250	2.550
L	0.550 REF.	
θ	0°	8°
L1	0.300	0.500
e	0.950 TYP.	
e1	1.800	2.000

Important Notice

The information presented in datasheets is for reference only. CRM reserves the right to make changes at any time to any products or information herein, without notice.

Customers are responsible for the design and applications, including compliance with all laws, regulations and safety requirements or standards.

“Typical” parameters which provided in datasheets can vary in different applications and actual performance may vary over time. Customers are responsible for doing all necessary testing to minimize the risks associated with their applications and products.

 is a registered trademark of Wuxi CRM Microelectronics Co. , Ltd.

Copyright ©2023 CRM Microelectronics Co. , Ltd. All rights reserved.

Contact information

For more information, please visit: <http://www.crm-semi.tech>

For sales information, please send an email to: sales@crm-semi.com