

Features

- Uses CRM(CQ) advanced SkyMOS3 technology
- Extremely low on-resistance $R_{DS(on)}$
- Excellent $Q_g \times R_{DS(on)}$ product(FOM)
- Qualified according to JEDEC criteria

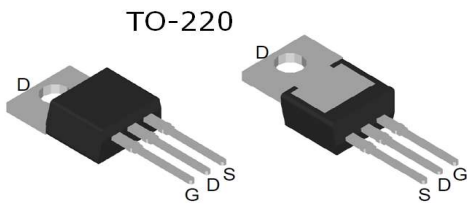
Applications

- Motor control and drive
- Battery management System
- UPS (Uninterruptible Power Supplies)

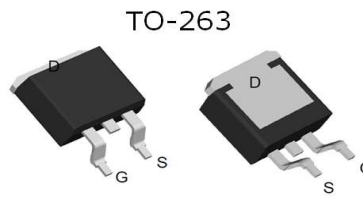
Product Summary

V_{DS}	100V
$R_{DS(on).typ}$	4.4mΩ
I_D	130A

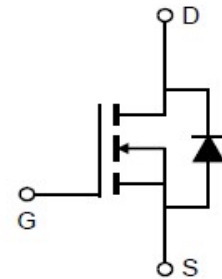
100% DVDS Tested
100% Avalanche Tested



CRST052N10N3



CRSS050N10N3



Package Marking and Ordering Information

Part #	Marking	Package	Packing	Reel Size	Tape Width	Qty
CRST052N10N3	CRST052N10N3	TO-220	Tube	N/A	N/A	50pcs
CRSS050N10N3	CRSS050N10N3	TO-263	Tape	N/A	N/A	1000pcs

Absolute Maximum Ratings

Parameter	Symbol	Value	Unit
Drain-source voltage	V_{DS}	100	V
Continuous drain current	I_D	130	A
$T_C = 25^\circ\text{C}$ (Silicon limit)		160	
$T_C = 25^\circ\text{C}$ (Package limit)		84	
$T_C = 100^\circ\text{C}$ (Silicon limit)			
Pulsed drain current ($T_C = 25^\circ\text{C}$, t_p limited by T_{jmax})	$I_{D\ pulse}$	520	A
Avalanche energy, single pulse ($I_D = 48\text{A}$, $R_g = 25\Omega$) ^[1]	E_{AS}	583	mJ
Gate-Source voltage	V_{GS}	±20	V
Power dissipation ($T_C = 25^\circ\text{C}$)	P_{tot}	167	W
Operating junction and storage temperature	T_j, T_{stg}	-55...+150	°C
Soldering temperature, wave soldering only allowed at leads (1.6mm from case for 10s)	T_{sold}	260	°C

※. Notes:

1.EAS is tested at starting $T_j = 25^\circ\text{C}$, $L = 0.5\text{mH}$, $I_{AS} = 48\text{A}$, $V_{GS} = 10\text{V}$.

Thermal Resistance

Parameter	Symbol	Max	Unit
Thermal resistance, junction – case.	R_{thJC}	0.75	°C/W
Thermal resistance, junction – ambient(min. footprint)	R_{thJA}	62	

Electrical Characteristic (at $T_j = 25\text{ }^\circ\text{C}$, unless otherwise specified)

Parameter	Symbol	Value			Unit	Test Condition
		min.	typ.	max.		

Static Characteristic

Drain-source breakdown voltage	BV_{DSS}	100	-	-	V	$V_{GS}=0V, I_D=250\mu A$
		100	-	-	V	$V_{GS}=0V, I_D=1mA$
Gate threshold voltage	$V_{GS(th)}$	2.3	3.3	4.3	V	$V_{DS}=V_{GS}, I_D=250\mu A$
Zero gate voltage drain current	I_{DSS}	-	-	1	μA	$V_{DS}=100V, V_{GS}=0V$ $T_j=25^\circ C$
		-	-	100		$T_j=125^\circ C$
Gate-source leakage current	I_{GSS}	0	-	± 100	nA	$V_{GS}=\pm 20V, V_{DS}=0V$
Drain-source on-state resistance	$R_{DS(on)}$	-	4.4	5.2	mΩ	$V_{GS}=10V, I_D=65A$ TO-220
		-	4.2	5.0		TO-263
Transconductance	g_{fs}	-	73.9	-	S	$V_{DS}=5V, I_D=65A$

Dynamic Characteristic

Input Capacitance	C_{iss}	-	4475	-	pF	$V_{GS}=0V, V_{DS}=50V,$ $f=1MHz$
Output Capacitance	C_{oss}	-	618	-		
Reverse Transfer Capacitance	C_{rss}	-	35	-		
Gate Total Charge	Q_G	-	82.8	-	nC	$V_{GS}=10V, V_{DS}=50V,$ $I_D=65A$
Gate-Source charge	Q_{gs}	-	31.7	-		
Gate-Drain charge	Q_{gd}	-	28.6	-		
Turn-on delay time	$t_{d(on)}$	-	19.4	-	ns	$V_{GS}=10V, V_{DD}=50V,$ $R_{G_ext}=2.7\Omega$
Rise time	t_r	-	72.5	-		
Turn-off delay time	$t_{d(off)}$	-	41.5	-		
Fall time	t_f	-	24.4	-		
Gate resistance	R_G	-	2.3	-	Ω	$V_{GS}=0V, V_{DS}=0V,$ $f=1MHz$

Body Diode Characteristic

Parameter	Symbol	Value			Unit	Test Condition
		min.	typ.	max.		
Body Diode Forward Voltage	V_{SD}	-	0.95	1.4	V	$V_{GS}=0V, I_{SD}=65A$
Body Diode Reverse Recovery Time	t_{rr}	-	56.9	-	ns	$I_F=65A,$ $dI/dt=100A/\mu s$
Body Diode Reverse Recovery Charge	Q_{rr}	-	110.3	-	nC	

Typical Performance Characteristics

Fig 1: Output Characteristics

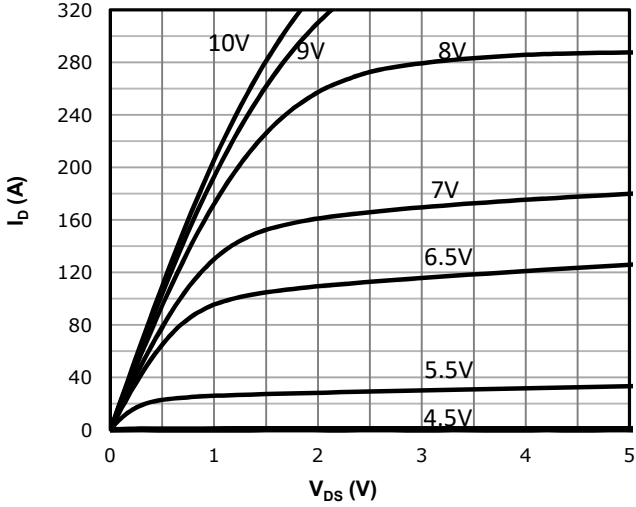


Fig 2: Transfer Characteristics

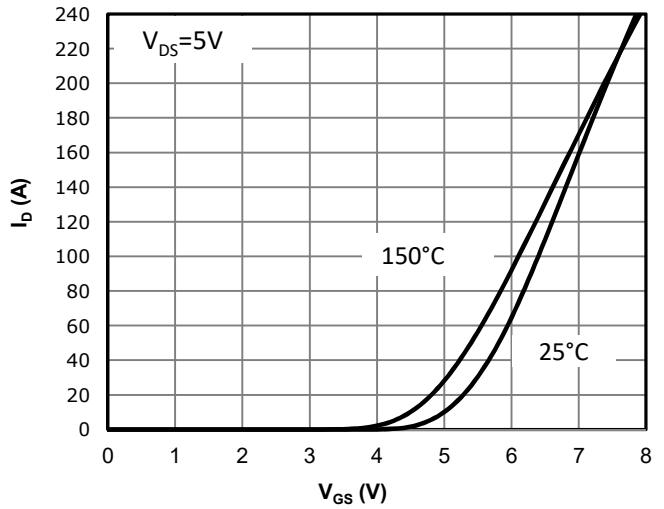
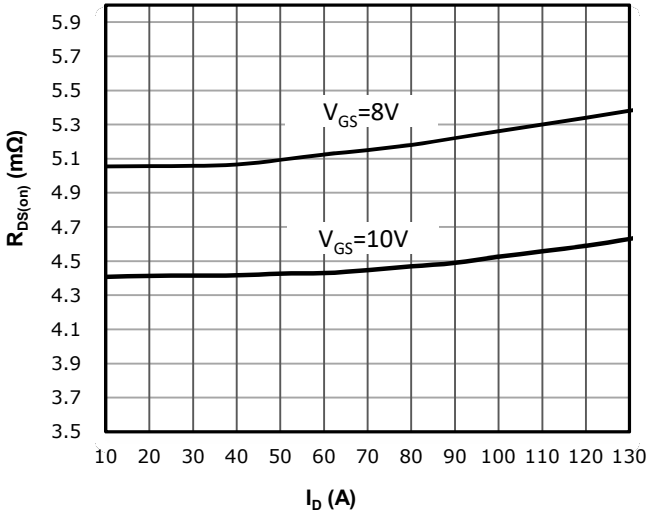
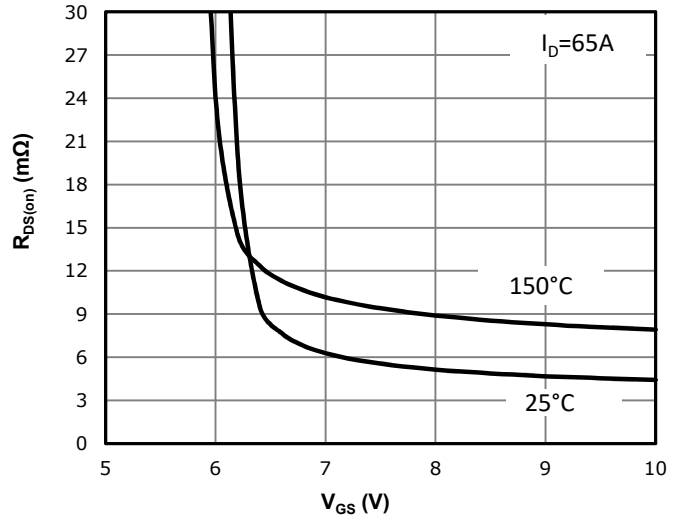
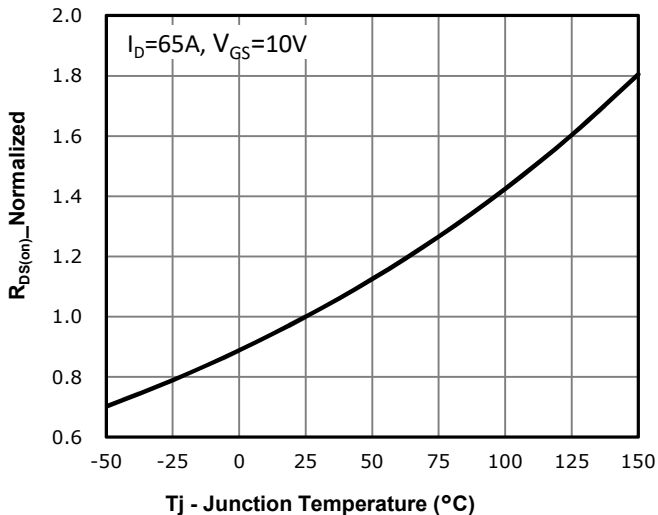
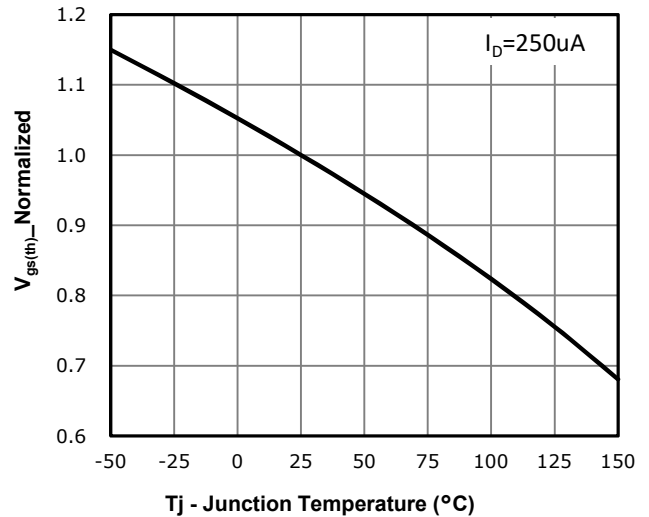

 Fig 3: $R_{DS(on)}$ vs Drain Current and Gate Voltage

 Fig 4: $R_{DS(on)}$ vs Gate Voltage

 Fig 5: $R_{DS(on)}$ vs. Temperature

 Fig 6: $V_{GS(th)}$ vs. Temperature


Fig 7: BVdss vs. Temperature

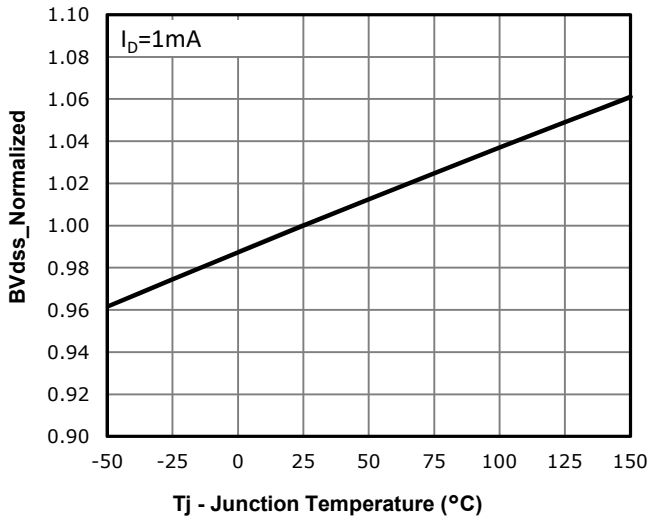


Fig 8: Capacitance Characteristics

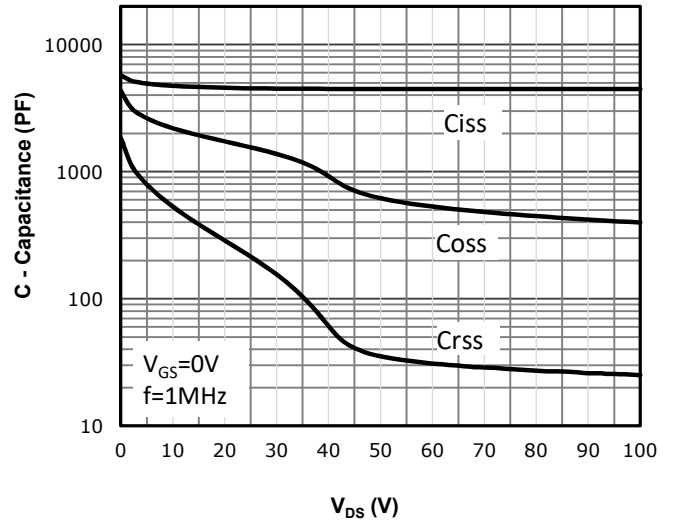


Fig 9: Gate Charge Characteristics

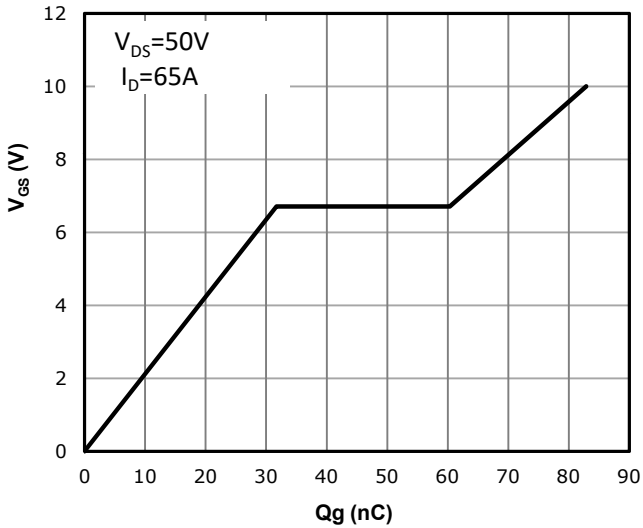


Fig 10: Body-diode Forward Characteristics

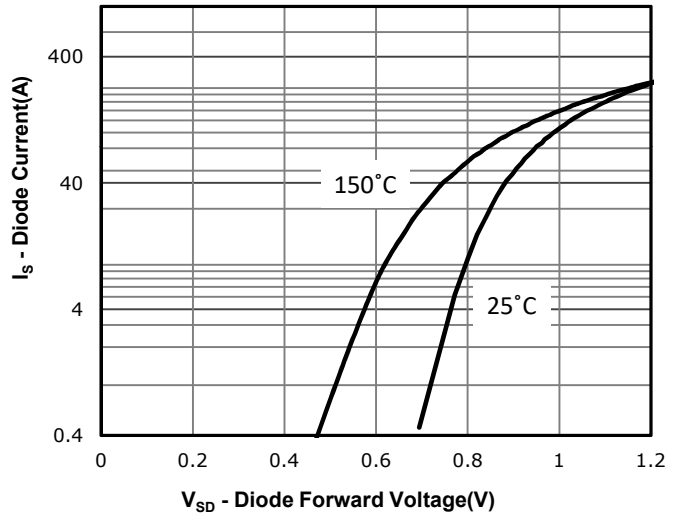


Fig 11: Power Dissipation

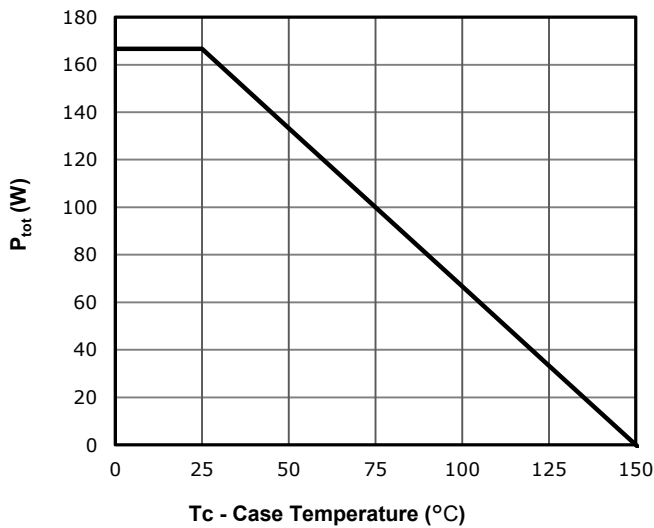


Fig 12: Drain Current Derating

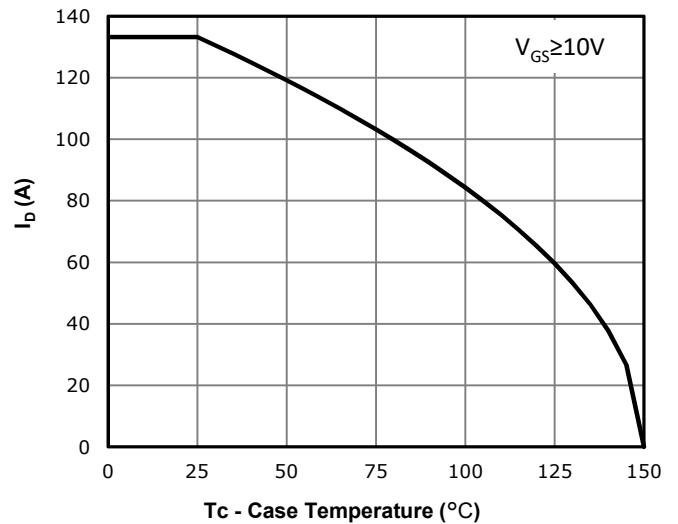


Fig 13: Safe Operating Area

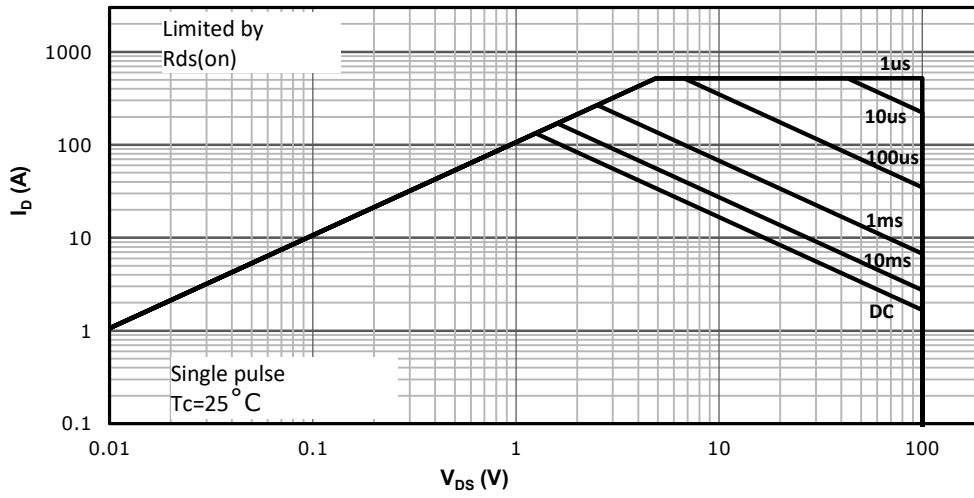
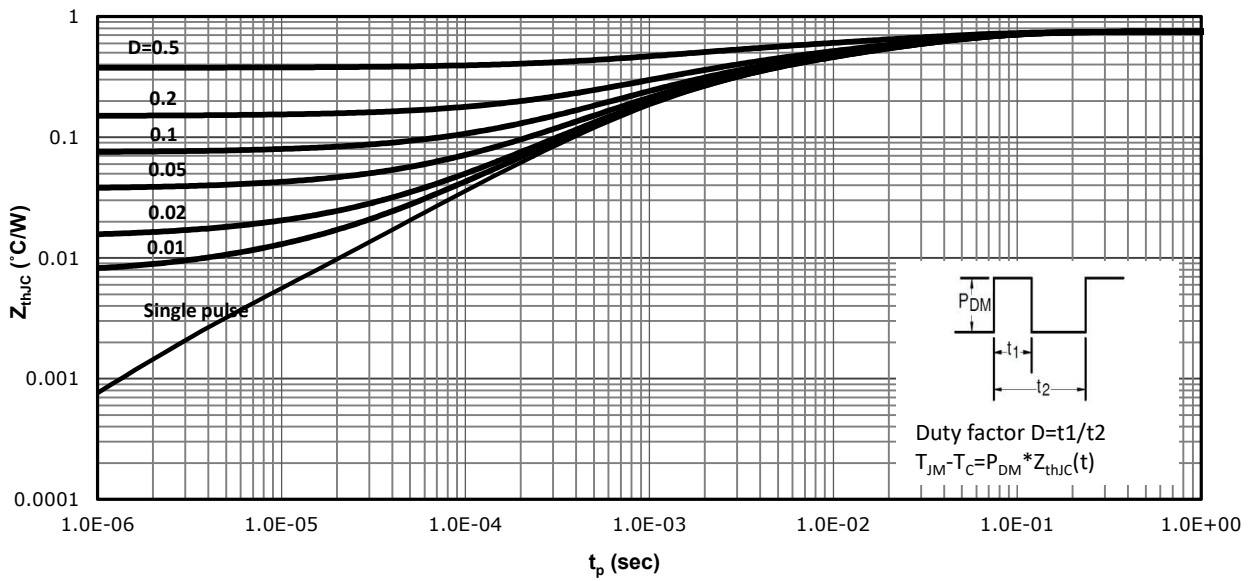
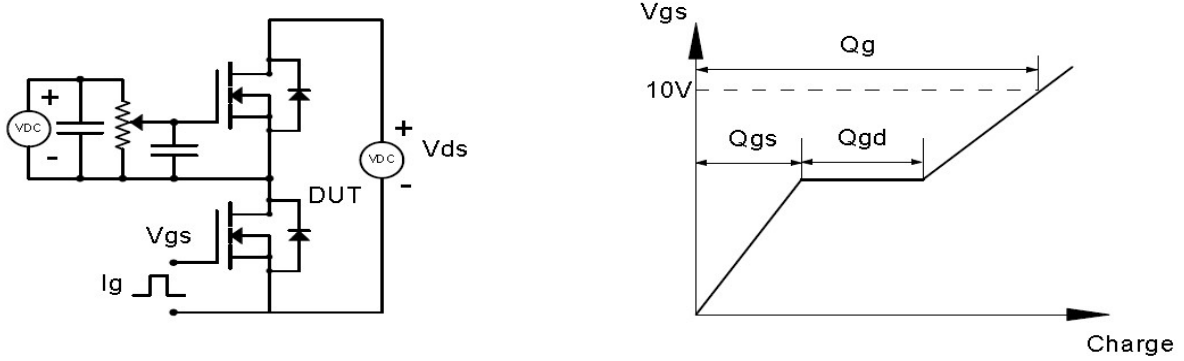


Fig 14: Max. Transient Thermal Impedance

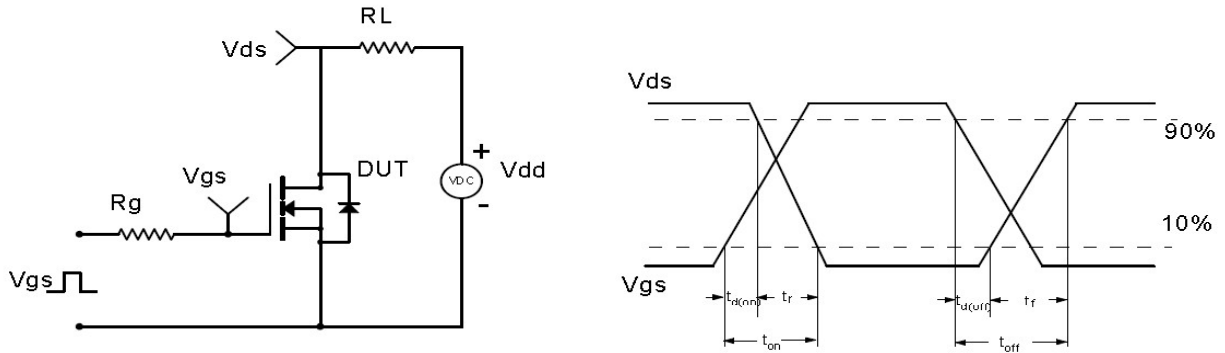


Test Circuit & Waveform

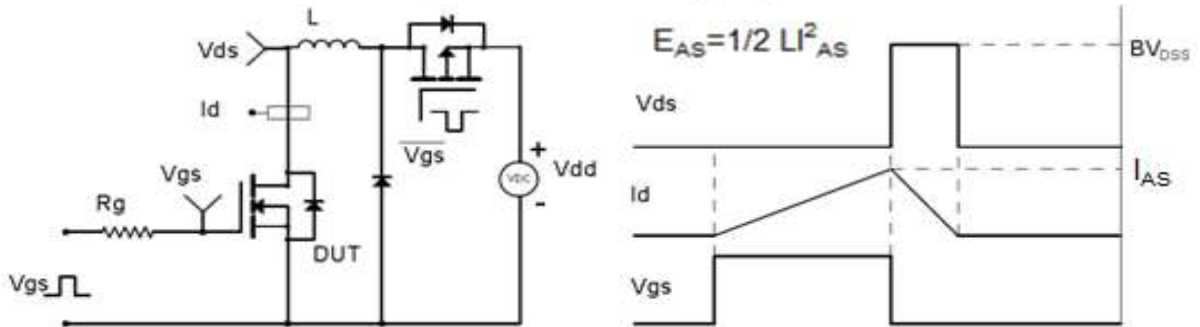
Gate Charge Test Circuit & Waveform



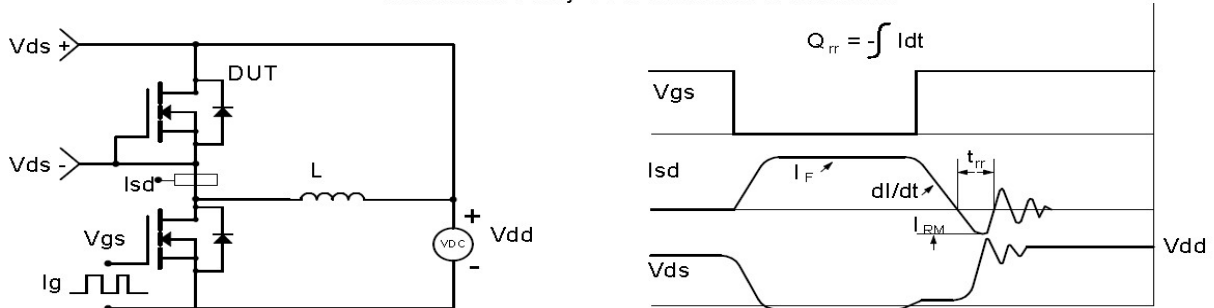
Resistive Switching Test Circuit & Waveforms

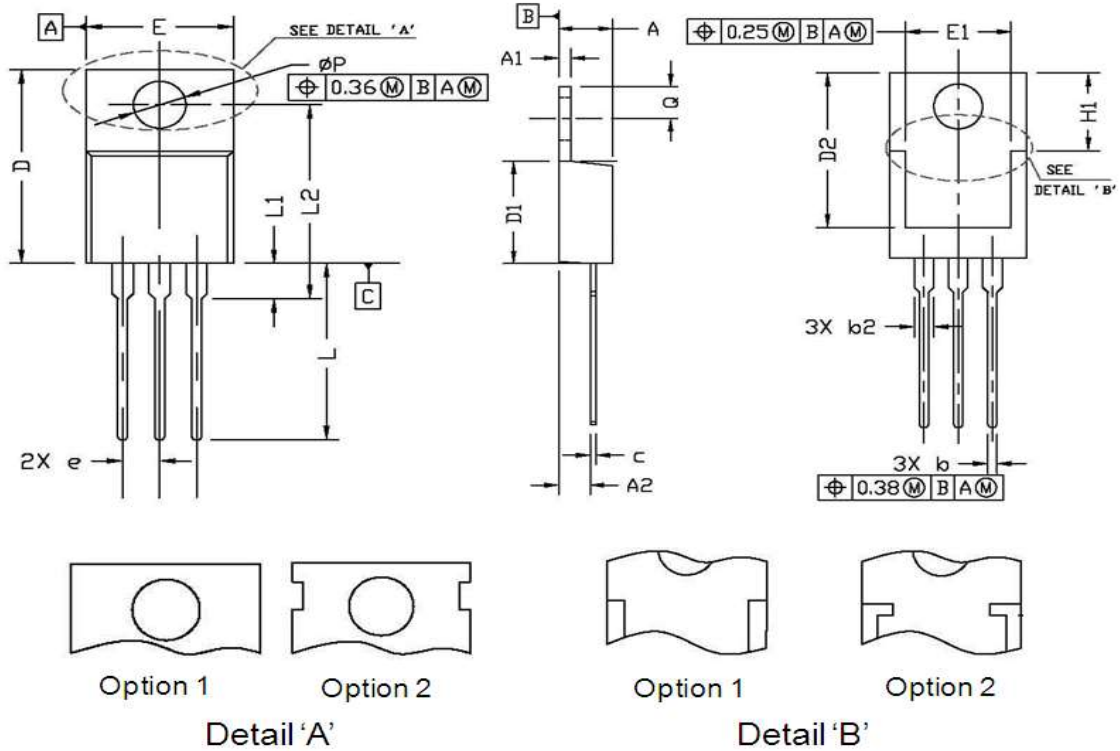


Unclamped Inductive Switching (UIS) Test Circuit & Waveforms

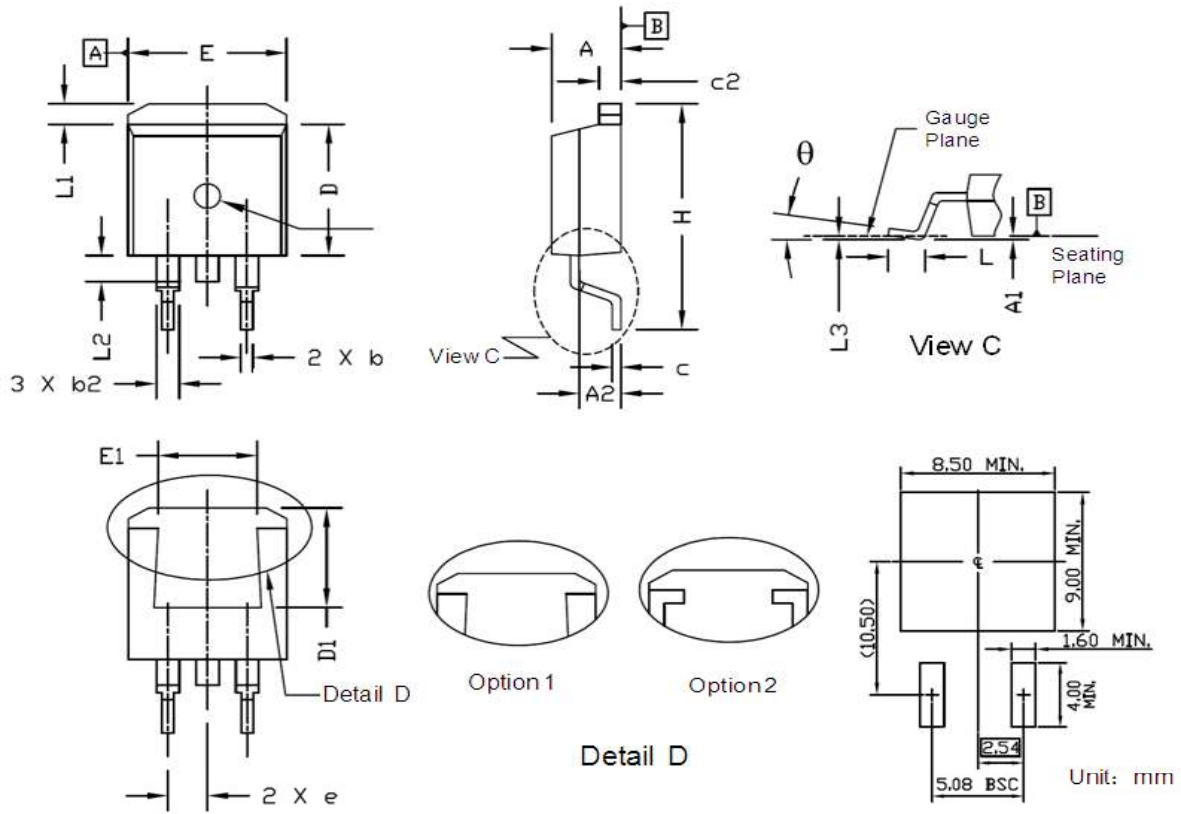


Diode Recovery Test Circuit & Waveforms



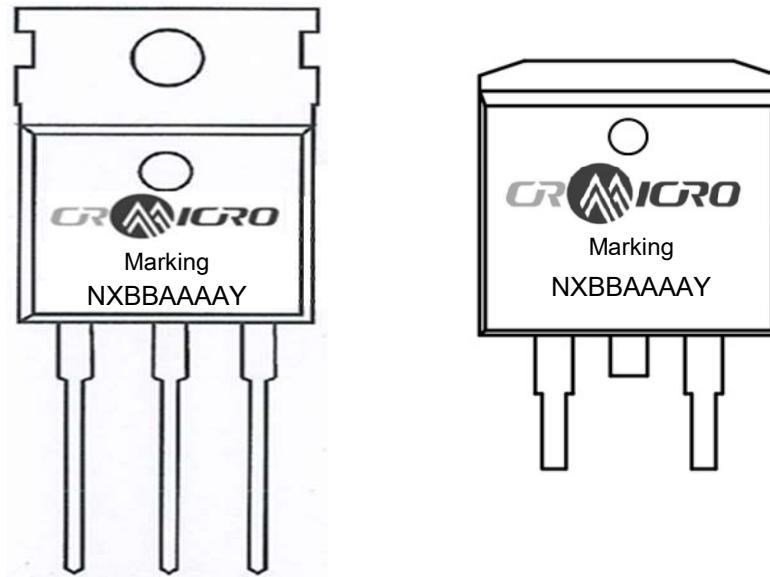
Package Outline: TO-220-3L


Symbol	Dimensions In Millimeters		Dimensions In Inches	
	Min.	Max.	Min.	Max.
A	4.30	4.80	0.169	0.189
A1	1.20	1.45	0.047	0.057
A2	2.20	2.90	0.087	0.114
b	0.69	0.95	0.027	0.037
b2	1.00	1.60	0.039	0.063
c	0.33	0.65	0.013	0.026
D	14.70	16.20	0.579	0.638
D1	8.59	9.65	0.338	0.380
D2	11.75	13.60	0.463	0.535
e	2.54 BSC.		0.100 BSC.	
E	9.60	10.60	0.378	0.417
E1	7.00	8.89	0.276	0.350
H1	6.20	7.00	0.244	0.276
L	12.60	14.80	0.496	0.583
L1	2.70	3.80	0.106	0.150
L2	12.13	16.50	0.478	0.650
Q	2.40	3.10	0.094	0.122
P	3.50	3.95	0.138	0.156

Package Outline: TO-263


Symbol	Dimensions In Millimeters		Dimensions In Inches		
	Min.	Max.	Min.	Max.	
A	4.30	4.86	0.169	0.191	
A1	0.00	0.25	0.000	0.010	
A2	2.20	2.90	0.087	0.114	
b	0.68	0.94	0.027	0.037	
b2	1.14	1.78	0.045	0.070	
c	0.33	0.65	0.013	0.026	
c2	1.17	1.40	0.046	0.055	
D	8.38	9.45	0.330	0.372	
D1	6.90	8.17	0.272	0.322	
e	2.54 BSC.		0.100 BSC.		
E	9.78	10.50	0.385	0.413	
E1	6.50	8.60	0.256	0.339	
H	14.61	15.88	0.575	0.625	
L	1.78	2.79	0.070	0.110	
L1	0.70	1.60	0.028	0.063	
L2	1.00	1.78	0.039	0.070	
L3	0.25 BSC.		0.010 BSC.		
θ	Option A	-8°	0°	-8°	0°
	Option B	0°	8°	0°	8°

Marking



NOTE:

NXBBAAAAY

- N —Wire Bond code
- X —Assembly location code
- BB —Fab code
- AAAA —Lot code
- Y —Bin code

Revision History

Revision	Date	Major changes
1.0	2023/9/5	Release of Preliminary version.

Disclaimer

Unless otherwise specified in the datasheet, the product is designed and qualified as a standard commercial product and is not intended for use in applications that require extraordinary levels of quality and reliability, such as automotive, aviation/aerospace and life-support devices or systems.

Any and all semiconductor products have certain probability to fail or malfunction, which may result in personal injury, death or property damage. Customer are solely responsible for providing adequate safe measures when design their systems.

CRM(CQ) reserves the right to improve product design, function and reliability without notice.