

## Features

- Uses CRM(CQ) advanced SkyMOS1 technology
- Extremely low on-resistance  $R_{DS(on)}$
- Excellent  $Q_g \times R_{DS(on)}$  product(FOM)
- Qualified according to JEDEC criteria

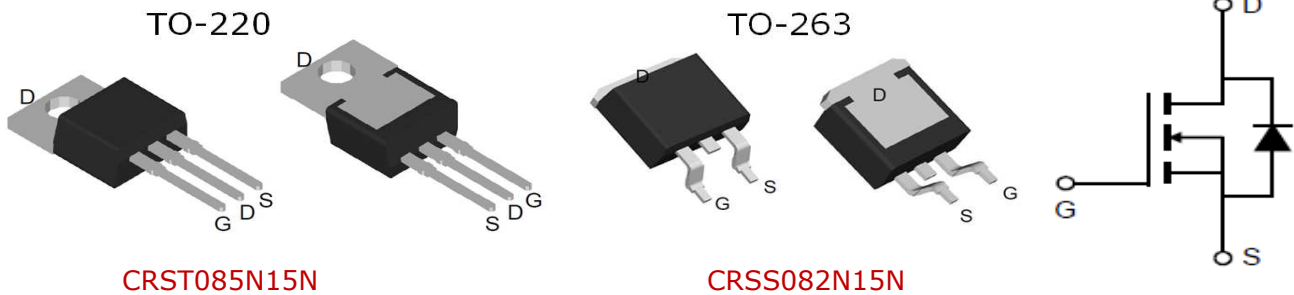
## Applications

- Motor control and drive
- Battery management
- UPS (Uninterruptible Power Supplies)

## Product Summary

$V_{DS}$	150V
$R_{DS(on)}$	7mΩ
$I_D$	120A

**100% Avalanche Tested**



CRST085N15N

CRSS082N15N

## Package Marking and Ordering Information

Part #	Marking	Package	Packing	Reel Size	Tape Width	Qty
CRST085N15N	-	TO-220	Tube	N/A	N/A	50pcs
CRSS082N15N	-	TO-263	Tube	N/A	N/A	50pcs

## Absolute Maximum Ratings

Parameter	Symbol	Value	Unit
Drain-source voltage	$V_{DS}$	150	V
Continuous drain current	$I_D$	$T_C = 25^\circ\text{C}$ (Silicon limit)	128
$T_C = 25^\circ\text{C}$ (Package limit)		120	
$T_C = 100^\circ\text{C}$ (Silicon limit)		81	
Pulsed drain current ( $T_C = 25^\circ\text{C}$ , $t_p$ limited by $T_{jmax}$ )	$I_{D\ pulse}$	480	A
Avalanche Current ( $L=0.5\text{mH}$ )	$I_{AS}$	36	A
Avalanche energy, single pulse ( $L=0.5\text{mH}$ , $R_g=25\Omega$ )	$E_{AS(\text{Note } 1)}$	324	mJ
Repetitive avalanche Current ( $L=0.5\text{mH}$ )	$I_{AR}$	16	A
Repetitive avalanche ( $L=0.5\text{mH}$ )	$E_{AR(\text{Note } 2)}$	64	mJ
Gate-Source voltage	$V_{GS}$	$\pm 20$	V

Power dissipation ( $T_C = 25^\circ\text{C}$ )	$P_{\text{tot}}$	227	W
Operating junction and storage temperature	$T_j, T_{\text{stg}}$	-55...+150	$^\circ\text{C}$

## ※. Notes:

1.EAS is tested at starting  $T_j = 25^\circ\text{C}$ ,  $L = 0.5\text{mH}$ ,  $I_{\text{AS}} = 36\text{A}$ ,  $V_{\text{GS}} = 10\text{V}$ .

2.Repetitive rating, pulse width limited by junction temperature  $T_{\text{J(MAX)}}=150^\circ\text{C}$ . Ratings are based on low frequency and duty cycles to keep initial  $T_j = 25^\circ\text{C}$ .

**Thermal Resistance**

Parameter	Symbol	Max	Unit
Thermal resistance, junction – case.	$R_{thJC}$	0.52	°C/W
Thermal resistance, junction – ambient(min. footprint)	$R_{thJA}$	60	

**Electrical Characteristic (at  $T_j = 25\text{ }^\circ\text{C}$ , unless otherwise specified)**

Parameter	Symbol	Value			Unit	Test Condition
		min.	typ.	max.		

**Static Characteristic**

Drain-source breakdown voltage	$BV_{DSS}$	150	-	-	V	$V_{GS}=0V, I_D=250\mu A$
Gate threshold voltage	$V_{GS(th)}$	2	3	4	V	$V_{DS}=V_{GS}, I_D=250\mu A$
Zero gate voltage drain current	$I_{DSS}$	-	-	1	$\mu A$	$V_{DS}=150V, V_{GS}=0V$ $T_j=25^\circ C$ $T_j=125^\circ C$
Gate-source leakage current	$I_{GSS}$	-	-	100	nA	$V_{GS}=\pm 20V, V_{DS}=0V$
Drain-source on-state resistance	$R_{DS(on)}$	-	7.0	8.5	$m\Omega$	$V_{GS}=10V, I_D=50A$ $T_j=25^\circ C$ TO-220
		-	6.8	8.2		TO-263
		-	11.3	14.1	$m\Omega$	$V_{GS}=10V, I_D=50A$ $T_j=100^\circ C$ TO-220
		-	11.1	13.9		TO-263
Transconductance	$g_{fs}$	-	91.8	-	S	$V_{DS}=5V, I_D=50A$

**Dynamic Characteristic**

Input Capacitance	$C_{iss}$	-	4217	6326	$pF$	$V_{GS}=0V, V_{DS}=75V,$ $f=1MHz$
Output Capacitance	$C_{oss}$	-	512	768		
Reverse Transfer Capacitance	$C_{rss}$	-	38	57		
Gate Total Charge	$Q_G$	-	63	94.5	$nC$	$V_{GS}=10V, V_{DS}=75V,$ $I_D=50A, f=1MHz;$
Gate-Source charge	$Q_{gs}$	-	21	31.5		
Gate-Drain charge	$Q_{gd}$	-	15	22.5		
Threshold Gate Charge	$Q_{g(th)}$	-	13.5	20.3		

Turn-on delay time	$t_{d(on)}$	-	11	16.5	ns	V <sub>ds</sub> =75V I <sub>d</sub> =100A R <sub>g</sub> =2.7Ω V <sub>gs</sub> =10V; (Note 3,4)
Rise time	$t_r$	-	107	160.5		
Turn-off delay time	$t_{d(off)}$	-	54	81		
Fall time	$t_f$	-	102	153		
Gate resistance	R <sub>G</sub>	-	3.0	5.5	Ω	V <sub>GS</sub> =0V, V <sub>DS</sub> =0V, f=1MHz

**Body Diode Characteristic**

Parameter	Symbol	Value			Unit	Test Condition
		min.	typ.	max.		
Body Diode Forward Voltage	V <sub>SD</sub>	-	0.86	1.4	V	V <sub>GS</sub> =0V, I <sub>SD</sub> =50A
Body Diode Reverse Recovery Time	t <sub>rr</sub>	-	100	200	ns	I <sub>SD</sub> =100A, V <sub>GS</sub> =0V, dI <sub>F</sub> /dt=100A/us;
Body Diode Reverse Recovery Charge	Q <sub>rr</sub>	-	451	902	nC	

※. Notes

3.Pulse Test : Pulse Width ≤ 300us, duty cycle ≤ 2%.

4.Essentially independent of operating temperature.

## Typical Performance Characteristics

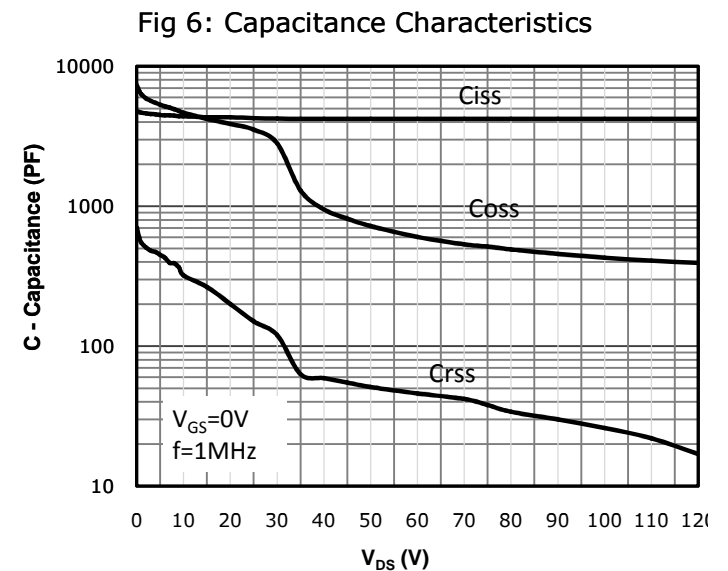
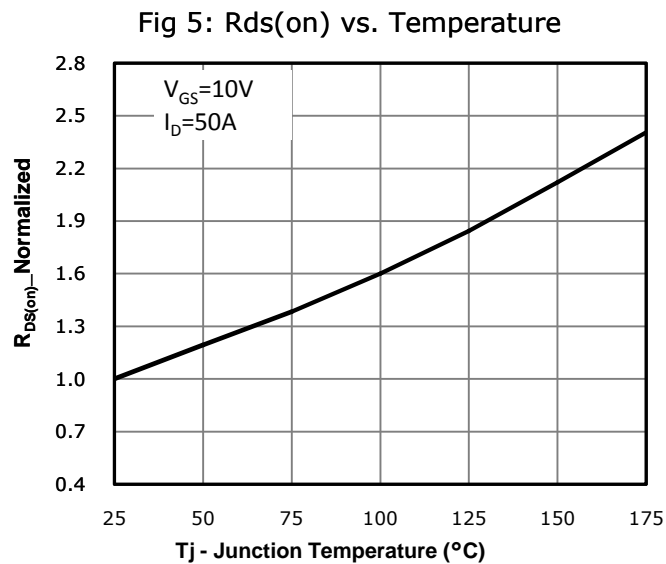
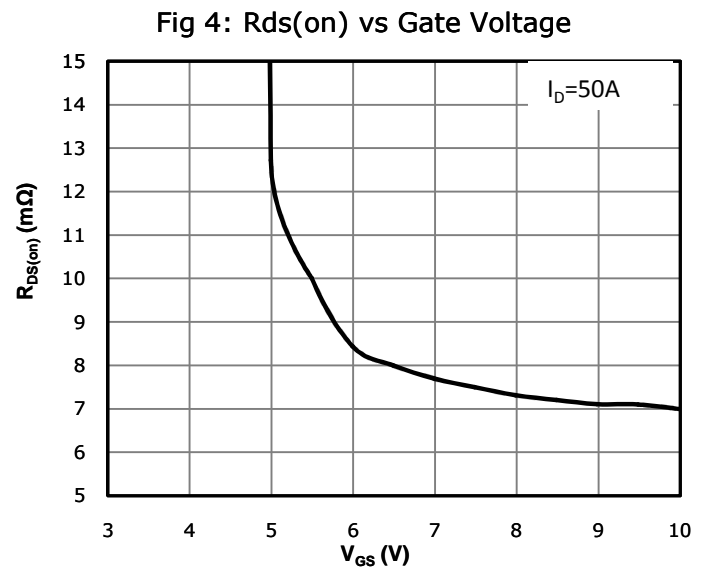
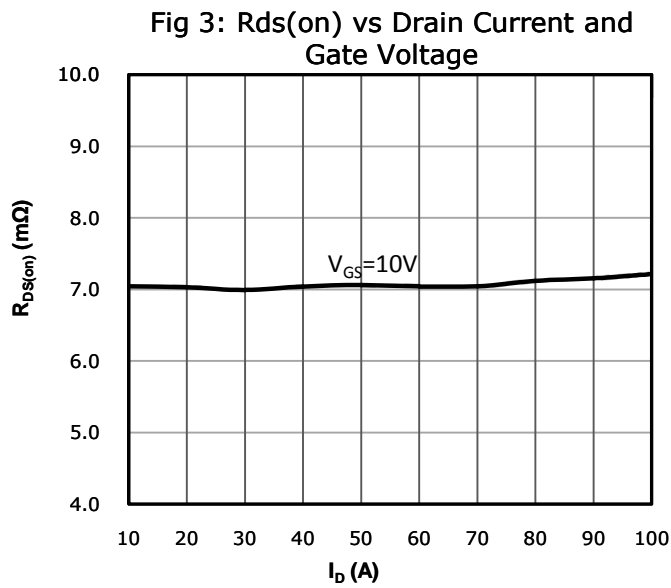
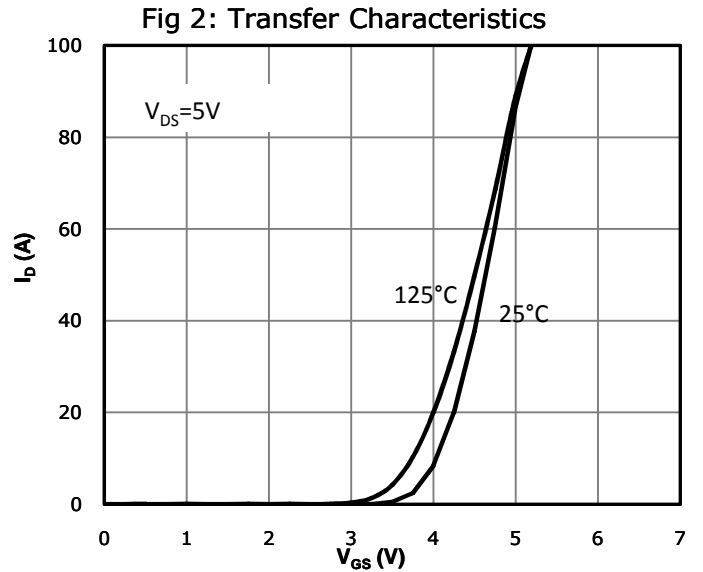
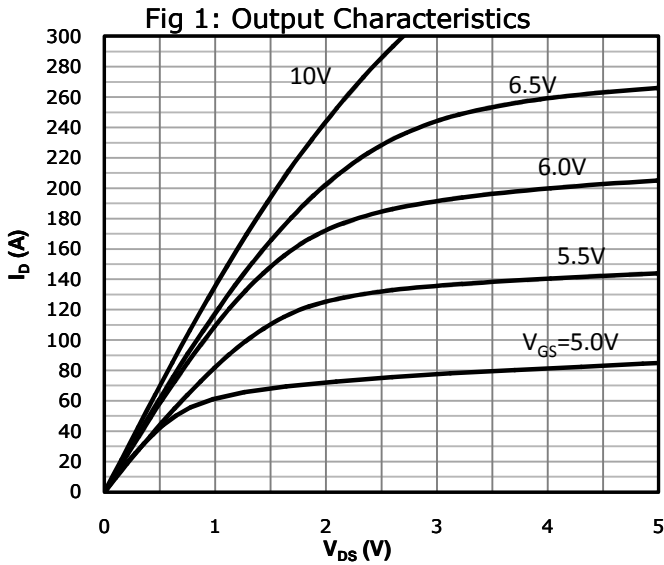


Fig 7: Gate Charge Characteristics

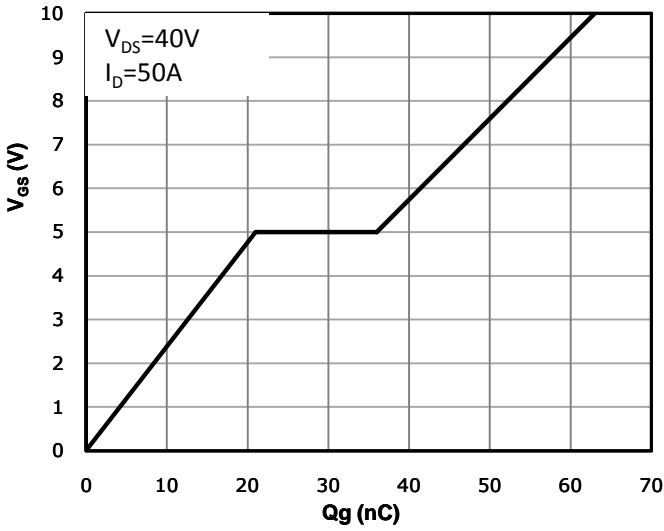


Fig 8: Body-diode Forward Characteristics

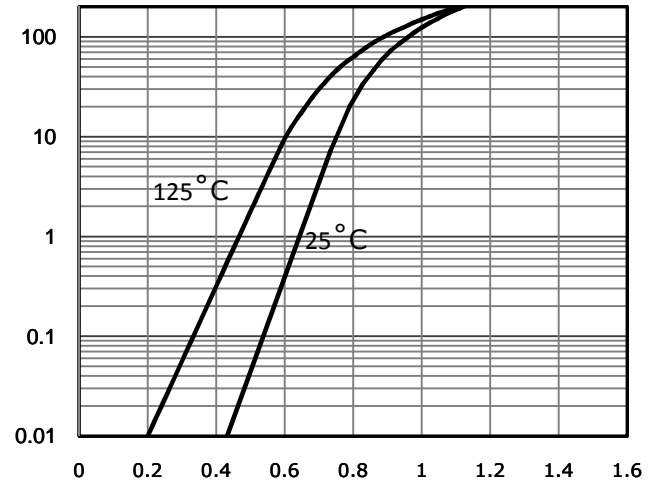


Fig 9: Power Dissipation

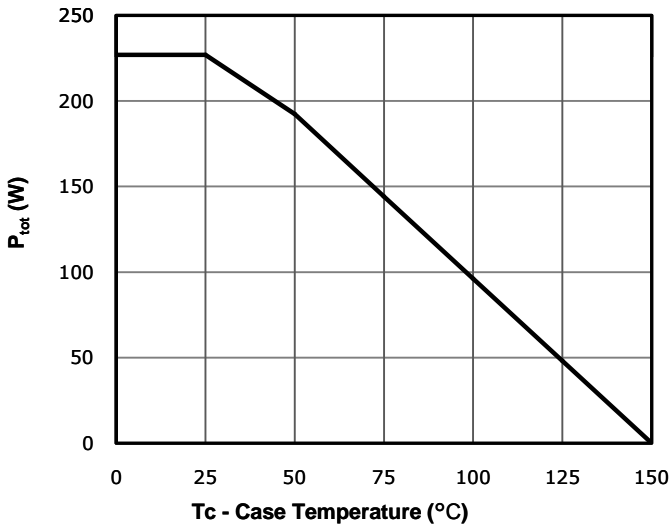


Fig 10: Drain Current Derating

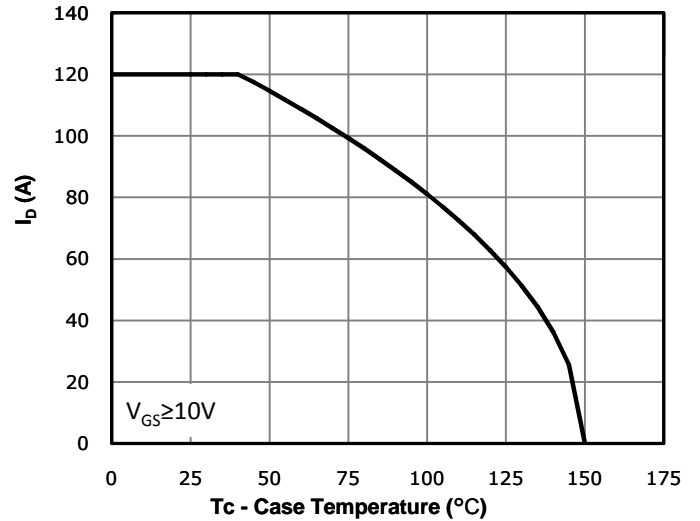


Fig 11: Safe Operating Area

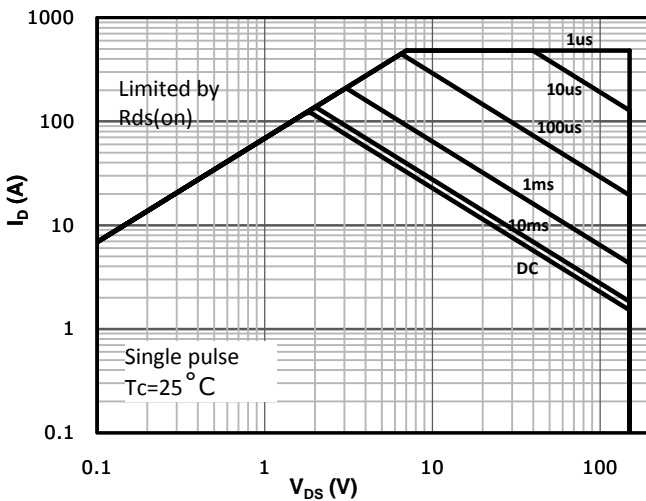
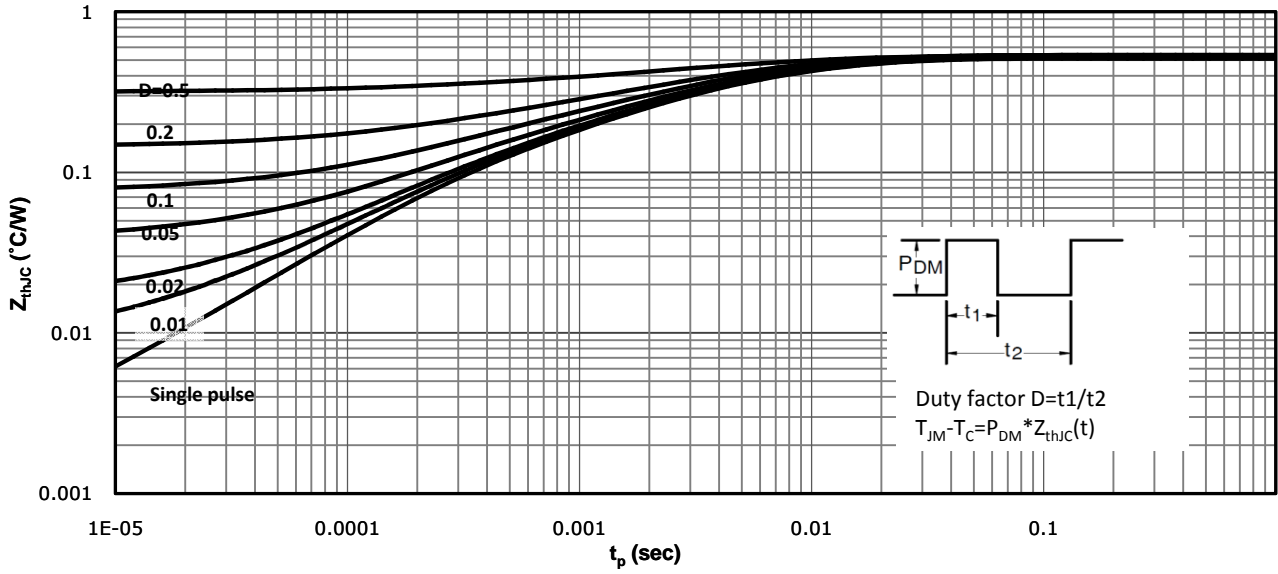
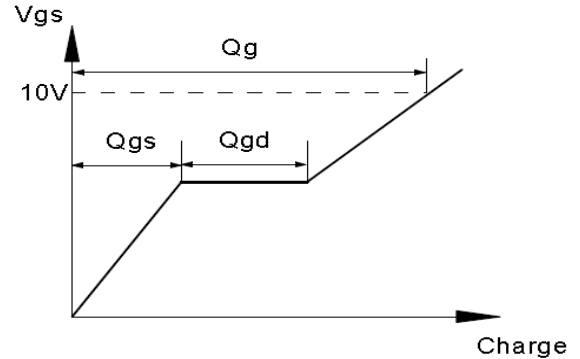
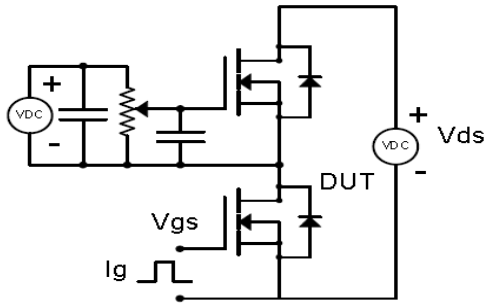


Fig 12: Max. Transient Thermal Impedance

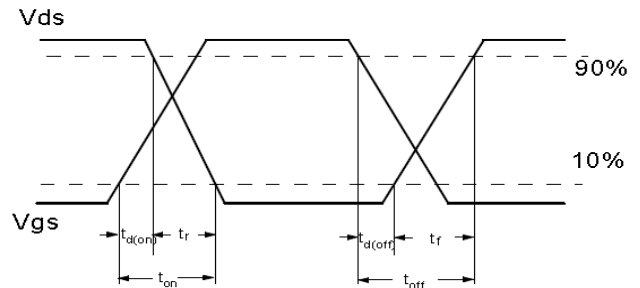
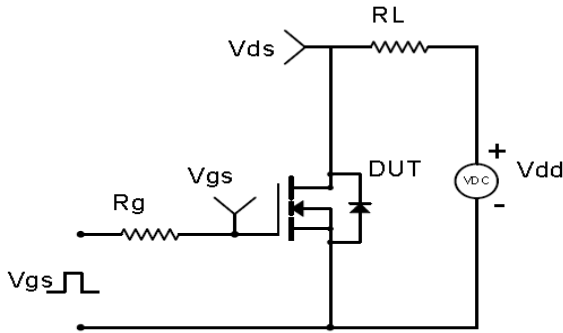


## Test Circuit & Waveform

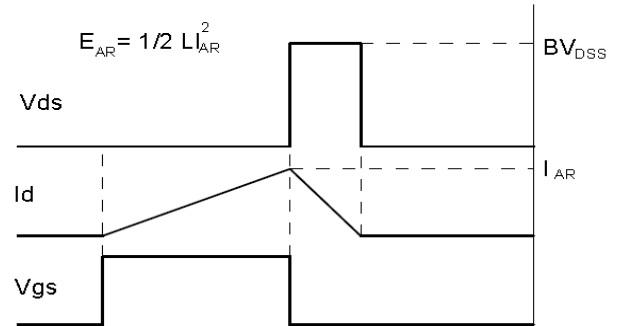
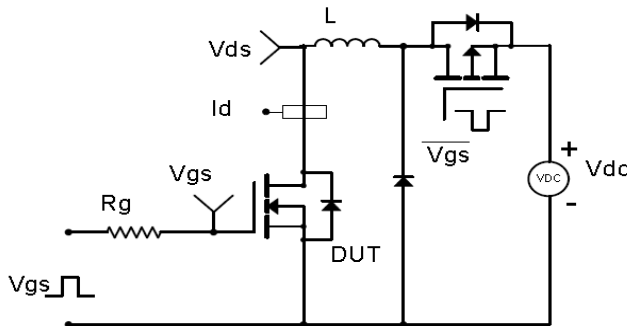
Gate Charge Test Circuit & Waveform



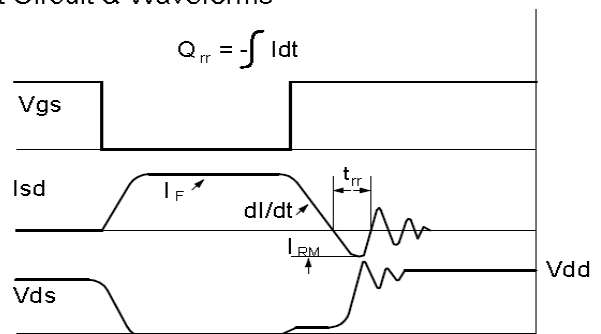
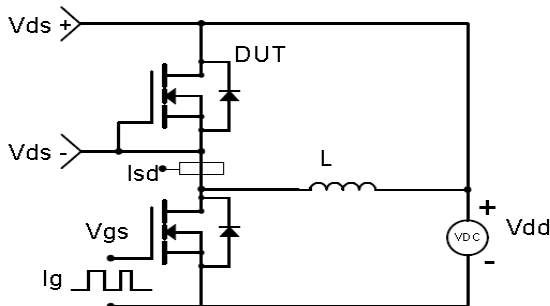
Resistive Switching Test Circuit & Waveforms



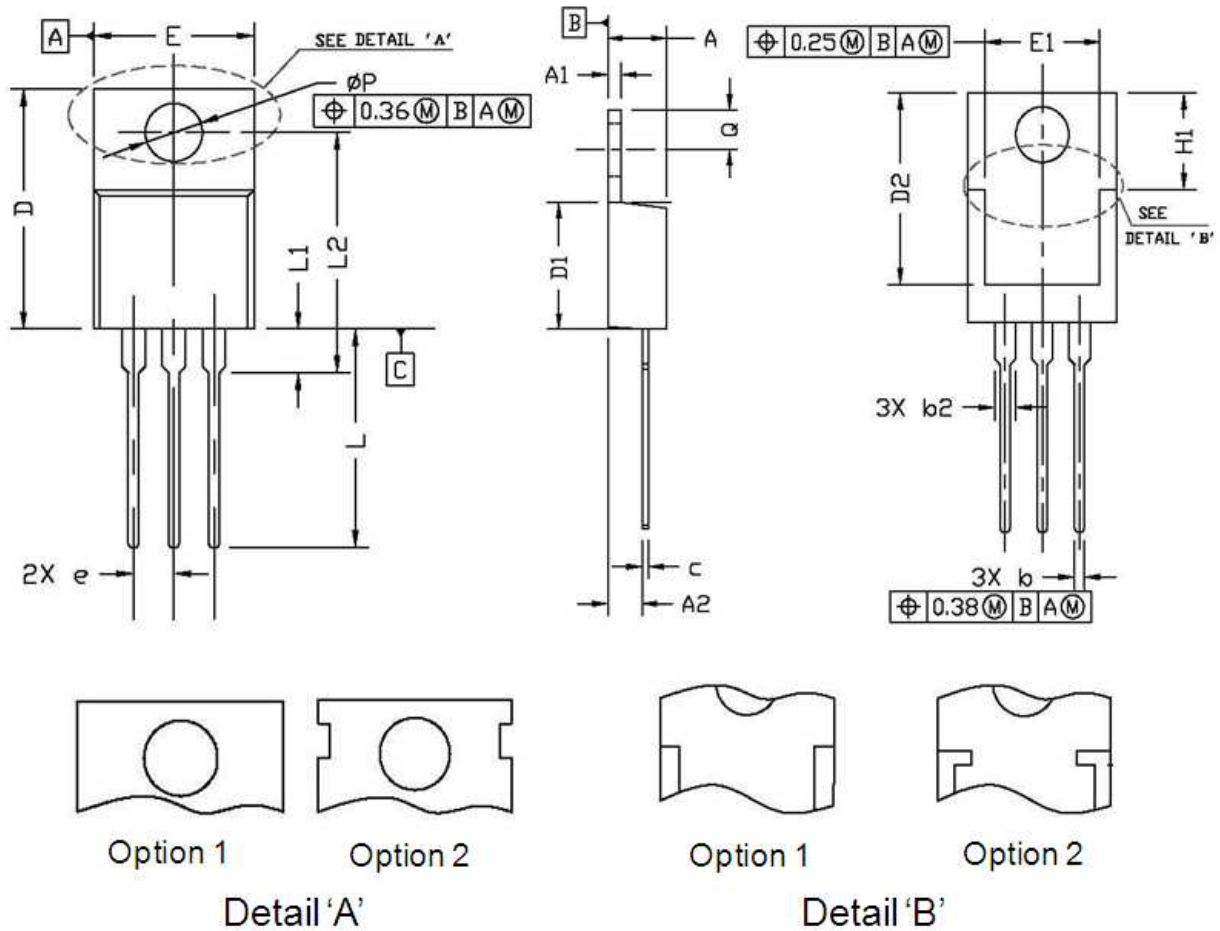
Unclamped Inductive Switching (UIS) Test Circuit & Waveforms



Diode Recovery Test Circuit & Waveforms

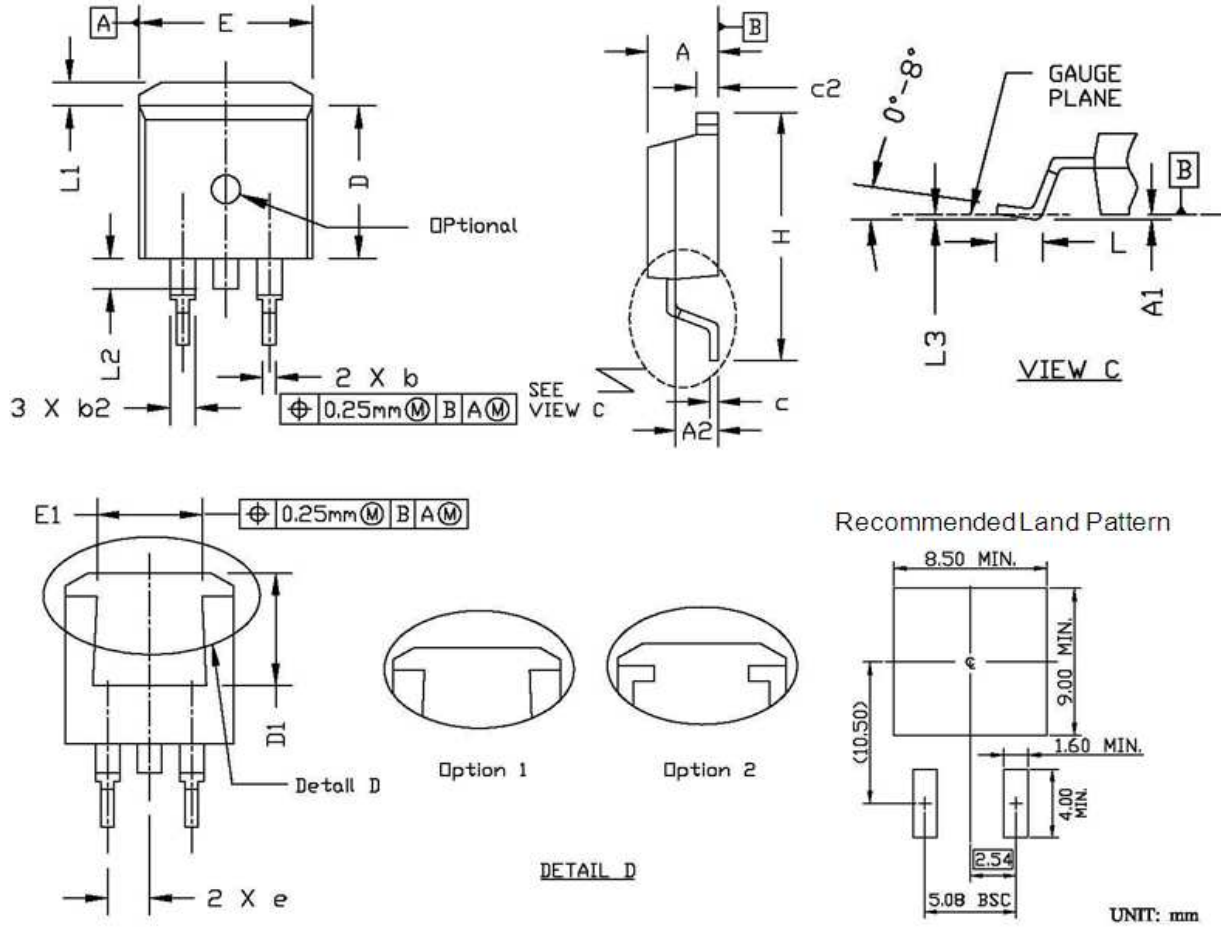




**Package Outline: TO-220-3L**


Symbol	Dimensions In Millimeters		Dimensions In Inches	
	Min.	Max.	Min.	Max.
A	4.30	4.80	0.169	0.189
A1	1.20	1.45	0.047	0.057
A2	2.20	2.90	0.087	0.114
b	0.69	0.95	0.027	0.037
b2	1.00	1.60	0.039	0.063
c	0.33	0.65	0.013	0.026
D	14.70	16.20	0.579	0.638
D1	8.59	9.65	0.338	0.380
D2	11.75	13.60	0.463	0.535
e	2.54 BSC.		0.100 BSC.	
E	9.60	10.60	0.378	0.417
E1	7.00	8.46	0.276	0.333
H1	6.20	7.00	0.244	0.276
L	12.60	14.80	0.496	0.583
L1	2.70	3.80	0.106	0.150
L2	12.13	16.50	0.478	0.650
Q	2.40	3.10	0.094	0.122
P	3.50	3.90	0.138	0.154

## Package Outline: TO-263



Symbol	Dimensions In Millimeters		Dimensions In Inches	
	Min.	Max.	Min.	Max.
A	4.30	4.86	0.169	0.191
A1	0.00	0.25	0.000	0.010
A2	2.34	2.79	0.092	0.110
b	0.68	0.94	0.027	0.037
b2	1.15	1.35	0.045	0.053
c	0.33	0.65	0.013	0.026
c2	1.17	1.40	0.046	0.055
D	8.38	9.45	0.330	0.372
D1	6.90	8.17	0.272	0.322
e	2.54 BSC.		0.100 BSC.	
E	9.78	10.50	0.385	0.413
E1	6.50	8.60	0.256	0.339
H	14.61	15.88	0.575	0.625
L	2.24	3.00	0.088	0.118
L1	0.70	1.60	0.028	0.063
L2	1.00	1.78	0.039	0.070
L3	0.00	0.25	0.000	0.010

**Revision History**

Revision	Date	Major changes
1.0	2018-11-02	Release of formal version.
1.1	2019-02-28	Revise Bug Idss Condition;
2.0	2019-05-28	Supplement package outline info&Zthjc Curve;
3.0	2020-02-20	Revise Crss Data;Add Dynamic Data Control;

**Disclaimer**

Unless otherwise specified in the datasheet, the product is designed and qualified as a standard commercial product and is not intended for use in applications that require extraordinary levels of quality and reliability, such as automotive, aviation/aerospace and life-support devices or systems.

Any and all semiconductor products have certain probability to fail or malfunction, which may result in personal injury, death or property damage. Customer are solely responsible for providing adequate safe measures when design their systems.

CRM(CQ) reserves the right to improve product design, function and reliability without notice.