

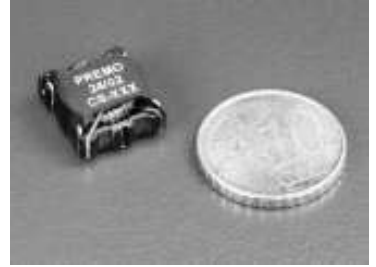
CS Series

SMD Current Transformer Up to 15A

www.DataSheet4U.com

Features

- Designed for switching power supply applications.
- Low profile and self leaded, surface mount.
- UL94-V0 Plastic material.
- Taped & Reeled according to EIA 481.
- Less than 8mm height.
- Up to 15 Arms primary current.
- Storage temperature -30° to 130° C.
- Operating temperature from -20° to 105° C.



Current Transformers & Sensors

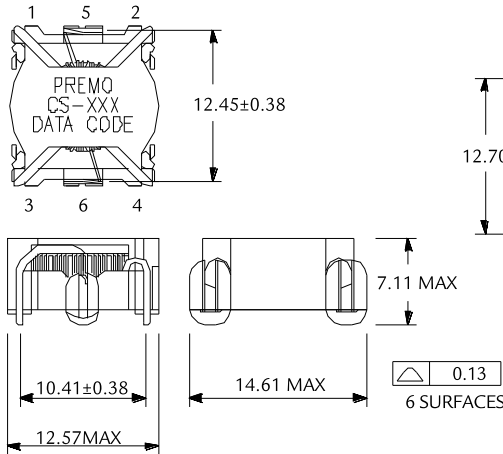
Product List

Part Number	I _p (Arms)	RB (Ω)	L _s (mH Min)	Sec Rcu (Ω Max)	Turns (Ns)
CS - 050	15	25	4.6	0.3	50
CS - 100	15	50	18.5	0.8	100
CS - 200	15	100	74*	2.8	200

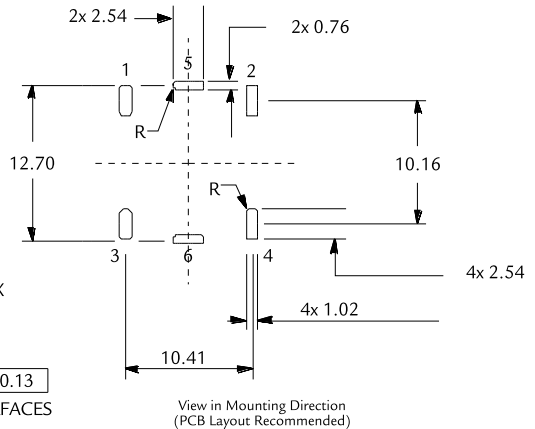
Notes:

- Inductance is mesured at 100 KHz, 20 mVrms. *10 KHz, 60 mVrms.
- Hipot is 500 Vrms, measured at 50 Hz, 2 seconds.
- I_r, R_t are reference values only.
- Reference values are for the one turn winding connected in parallel for unipolar operation at 200 KHz.

Dimensions



Footprint



Schematics

