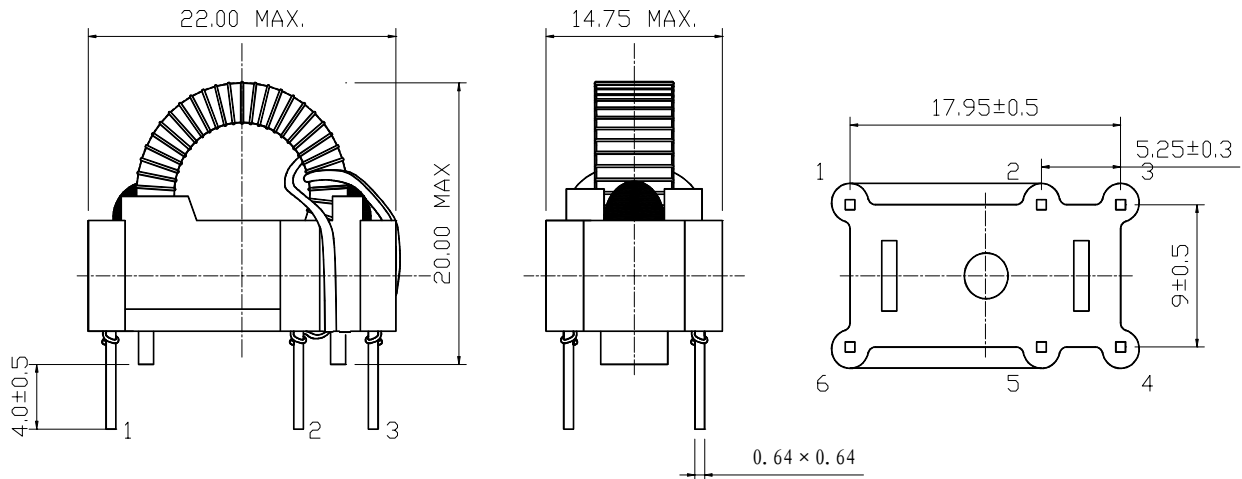
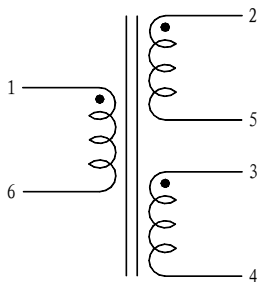


Type: CS1420
◆ Product Description

- 22.0 × 14.75mm Max.(L × W), 20.0mm Max. Height .
- Custom design is available.


◆ Feature

- Two 1 turn primary windings that can be used in parallel.
- 3000Vrms gate to drive winding test.
- Most popular winding configurations.
- Operating Frequency range: 50kHz~500kHz.
- RoHS Compliance

◆ Dimensions (mm)

◆ Schematics (Bottom)

◆ Specification

Sample No.	Turns Ratio	Current Rating	Primary L 10kHz/0.1V	D.C.R. Pri. (Ω Max.)	Hi-pot(Pri.-Sec.) (50/60Hz)
PS05-176	50:1:1	15.0 A	77.0mH ± 35%	1.8	AC3000Vrms