



# High Speed Super Low Power SRAM

32K-Word By 8 Bit

CS18LV02565

---

## Revision History

<u>Rev. No.</u>	<u>History</u>	<u>Issue Date</u>	<u>Remark</u>
2.0	Initial issue with new naming rule	Dec.29,2004	



# High Speed Super Low Power SRAM

32K-Word By 8 Bit

CS18LV02565

## ■ GENERAL DESCRIPTION

The CS18LV02565 is a high performance, high speed and super low power CMOS Static Random Access Memory organized as 32,768 words by 8bits and operates for a single 4.5 to 5.5V supply voltage. Advanced CMOS technology and circuit techniques provide both high speed, super low power features and maximum access time of 55/70ns in 5.0V operation. Easy memory expansion is provided by an active LOW chip enable (/CE) and active LOW output enable (/OE).

The CS18LV02565 has an automatic power down feature, reducing the power consumption significantly when chip is deselected. The CS18LV02565 is available in JEDEC standard 28-pin TSOP I (8x13.4 mm), SOP (330 mil) and PDIP (600 mil) packages.

## ■ FEATURES

- Wide operation voltage : 4.5 ~ 5.5V
- Ultra low power consumption : 2mA@1MHz (Max.) , Vcc=5.0V.  
1.0 uA (Typ.) CMOS standby current
- High speed access time : 55/70ns.
- Automatic power down when chip is deselected.
- Three state outputs and TTL compatible.
- Data retention supply voltage as low as 1.5V.
- Easy expansion with /CE and /OE options.

## ■ PRODUCT FAMILY

Product Family	Operating Temp.	Vcc Range	Speed (ns)	Standby Current(Typ.) I <sub>CCSB1</sub>	Package Type
CS18LV02565	0~70°C	4.5~5.5V	55/70	1.0 uA (Vcc = 5.0V)	28 SOP
					28 TSOP I
					28 PDIP
					Dice
	-40~85°C		55/70	1.5 uA (Vcc= 5.0V)	28 SOP
					28 TSOP I
					28 PDIP
					Dice

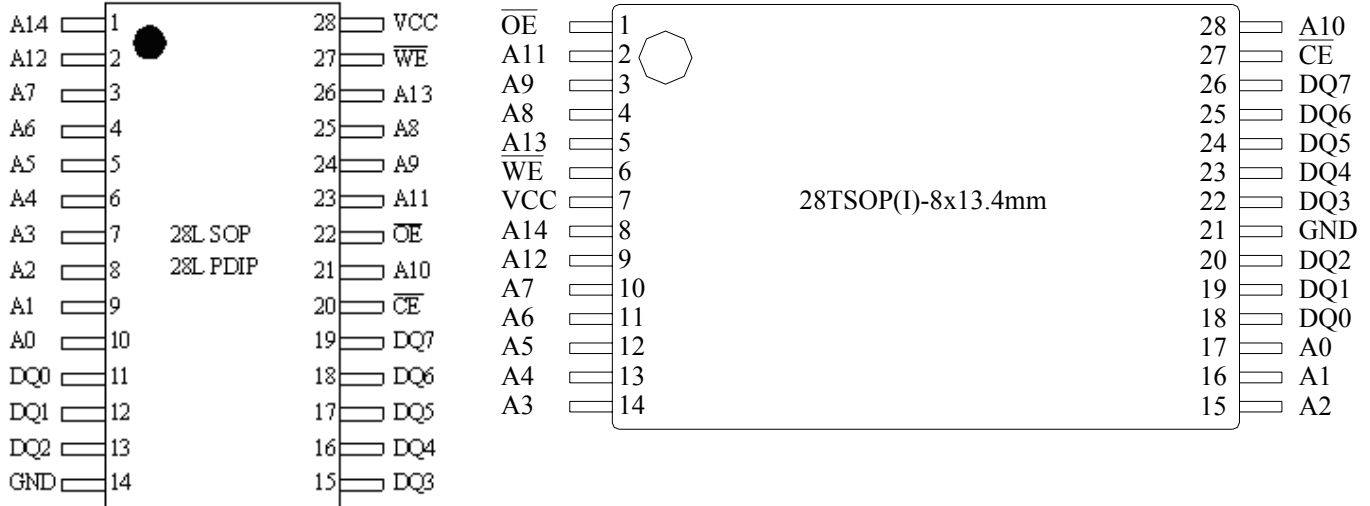


# High Speed Super Low Power SRAM

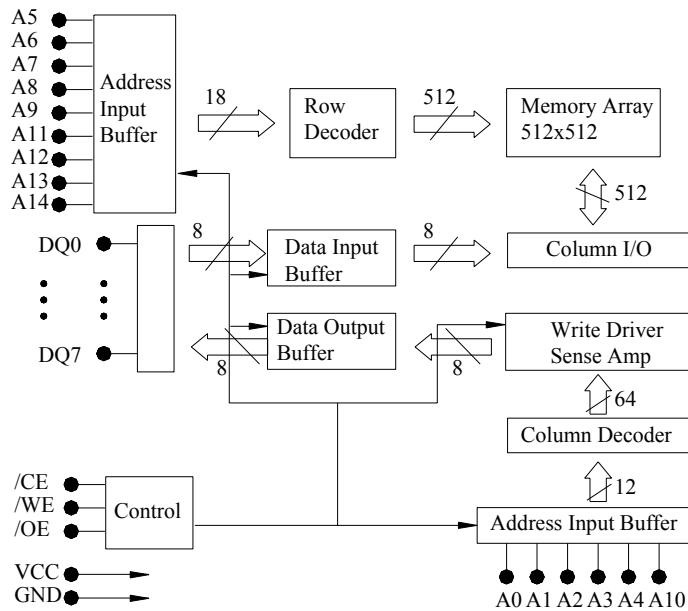
32K-Word By 8 Bit

CS18LV02565

## PIN CONFIGURATIONS



## FUNCTIONAL BLOCK DIAGRAM





# High Speed Super Low Power SRAM

32K-Word By 8 Bit

CS18LV02565

## ■ PIN DESCRIPTIONS

Name	Type	Function
A0 – A14	Input	Address inputs for selecting one of the 32,768 x 8 bit words in the RAM
/CE	Input	/CE is active LOW. Chip enable must be active when data read from or write to the device. If chip enable is not active, the device is deselected and in a standby power mode. The DQ pins will be in high impedance state when the device is deselected.
/WE	Input	The Write enable input is active LOW. It controls read and write operations. With the chip selected, when /WE is HIGH and /OE is LOW, output data will be present on the DQ pins, when /WE is LOW, the data present on the DQ pins will be written into the selected memory location.
/OE	Input	The output enable input is active LOW. If the output enable is active while the chip is selected and the write enable is inactive, data will be present on the DQ pins and they will be enabled. The DQ pins will be in the high impedance state when /OE is inactive.
DQ0~DQ7	I/O	These 8 bi-directional ports are used to read data from or write data into the RAM.
Vcc	Power	Power Supply
Gnd	Power	Ground

## ■ TRUTH TABLE

Mode	/CE	/WE	/OE	DQ0~7	Vcc Current
Standby	H	X	X	High Z	I <sub>CCSB</sub> , I <sub>CCSB1</sub>
Output Disabled	L	H	H	High Z	I <sub>CC</sub>
Read	L	H	L	D <sub>OUT</sub>	I <sub>CC</sub>
Write	L	L	X	D <sub>IN</sub>	I <sub>CC</sub>



# High Speed Super Low Power SRAM

32K-Word By 8 Bit

CS18LV02565

## ■ ABSOLUTE MAXIMUM RATINGS<sup>(1)</sup>

Symbol	Parameter	Rating	Unit
V <sub>TERM</sub>	Terminal Voltage with Respect to GND	-0.5 to V <sub>CC</sub> +0.5	V
T <sub>BIAS</sub>	Temperature Under Bias	-40 to +125	°C
T <sub>STG</sub>	Storage Temperature	-60 to +150	°C
P <sub>T</sub>	Power Dissipation	1.0	W
I <sub>OUT</sub>	DC Output Current	20	mA

1. Stresses greater than those listed under ABSOLUTE MAXIMUM RATINGS may cause permanent damage to the device. This is a stress rating only and functional operation of the device at these or any other conditions above those indicated in the operational sections of this specification is not implied. Exposure to absolute maximum rating conditions for extended periods may affect reliability.

## ■ OPERATING RANGE

Range	Ambient Temperature	V <sub>CC</sub>
Commercial	0~70°C	4.5~5.5V
Industrial	-40~85°C	4.5~5.5V

## ■ CAPACITANCE<sup>(1)</sup>(T<sub>A</sub>=25°C, f=1.0MHz)

Symbol	Parameter	Conduction	MAX.	Unit
C <sub>IN</sub>	Input Capacitance	V <sub>IN</sub> =0V	6	pF
C <sub>DQ</sub>	Input/Output Capacitance	V <sub>I/O</sub> =0V	8	pF

1. This parameter is guaranteed, and not 100% tested.



# High Speed Super Low Power SRAM

32K-Word By 8 Bit

**CS18LV02565**

## ■ DC ELECTRICAL CHARACTERISTICS (TA = 0° ~70°C, VCC = 5.0V)

Name	Parameter	Test Condition	MIN	TYP <sup>(1)</sup>	MAX	Unit
V <sub>IL</sub>	Guaranteed Input Low Voltage <sup>(2)</sup>	V <sub>CC</sub> =5.0V	-0.5		1.5	V
V <sub>IH</sub>	Guaranteed Input High Voltage <sup>(2)</sup>	V <sub>CC</sub> =5.0V	2.5		V <sub>CC</sub> +0.2	V
I <sub>IL</sub>	Input Leakage Current	V <sub>CC</sub> =MAX, V <sub>IN</sub> =0 to V <sub>CC</sub>	-1		1	uA
I <sub>OL</sub>	Output Leakage Current	V <sub>CC</sub> =MAX, /CE=V <sub>IN</sub> , or /OE=V <sub>IN</sub> , V <sub>IO</sub> =0V to V <sub>CC</sub>	-1		1	uA
V <sub>OL</sub>	Output Low Voltage	V <sub>CC</sub> =MAX, I <sub>OL</sub> = 1mA			0.4	V
V <sub>OH</sub>	Output High Voltage	V <sub>CC</sub> =MIN, I <sub>OH</sub> = -1mA	2.2			V
I <sub>CC</sub>	Operating Power Supply Current	/CE=V <sub>IL</sub> , I <sub>DQ</sub> =0mA, F=F <sub>MAX</sub> = 1/ t <sub>RC</sub>			20	mA
I <sub>CCSB</sub>	TTL Standby Supply	/CE=V <sub>IH</sub> , I <sub>DQ</sub> =0mA,			1	mA
I <sub>CCSB1</sub>	CMOS Standby Current	/CE ≥ V <sub>CC</sub> -0.2V, V <sub>IN</sub> ≥ V <sub>CC</sub> -0.2V or V <sub>IN</sub> ≤ 0.2V,		1.0	4	uA

1. Typical characteristics are at TA = 25°C.

2. These are absolute values with respect to device ground and all overshoots due to system or tester noise are included.

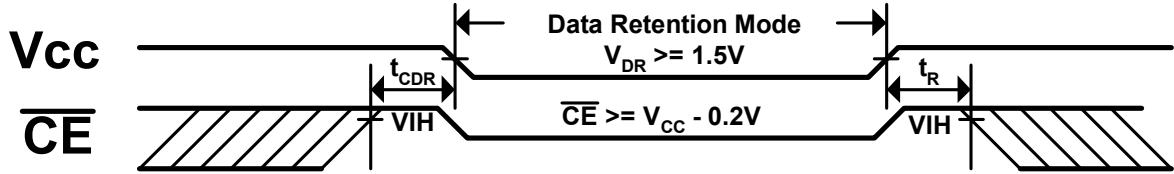
## ■ DATA RETENTION CHARACTERISTICS (TA = 0° ~70°C, VCC = 5.0V)

Name	Parameter	Test Condition	MIN	TYP <sup>(1)</sup>	MAX	Unit
V <sub>DR</sub>	V <sub>CC</sub> for Data Retention	/CE ≥ V <sub>CC</sub> -0.2V, V <sub>IN</sub> ≥ V <sub>CC</sub> -0.2V or V <sub>IN</sub> ≤ 0.2V	1.5			V
I <sub>CCDR</sub>	Data Retention Current	/CE ≥ V <sub>CC</sub> -0.2V, V <sub>IN</sub> ≥ V <sub>CC</sub> -0.2V or V <sub>IN</sub> ≤ 0.2V		0.5	3	uA
T <sub>CDR</sub>	Chip Deselect to Data Retention Time	Refer to Retention Waveform	0			ns
t <sub>R</sub>	Operation Recovery Time		t <sub>RC</sub> (2)			ns

1. TA = 25°C.

2. t<sub>RC</sub> = Read Cycle Time.

■ **LOW V<sub>CC</sub> DATA RETENTION WAVEFORM ( /CE Controlled )**



■ **AC TEST CONDITIONS**

Input Pulse Levels	V <sub>CC</sub> /0V
Input Rise and Fall Times	5ns
Input and Output Timing Reference Level	0.5V <sub>CC</sub>

■ **KEY TO SWITCHING WAVEFORMS**

WAVEFORMS	INPUTS	OUTPUTS
	MUST BE STEADY	MUST BE STEADY
	MAY CHANGE FROM H TO L	WILL BE CHANGE FROM H TO L
	MAY CHANGE FROM L TO H	WILL BE CHANGE FROM L TO H
	DON'T CARE ANY CHANGE PERMITTED	CHANGE STATE UNKNOWN
	DOES NOT APPLY	CENTER LINE IS HIGH IMPEDANCE OFF STATE

■ **AC TEST LOADS AND WAVEFORMS**

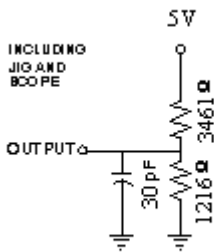


FIGURE 1A

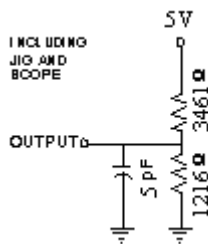
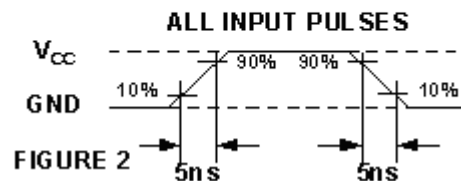


FIGURE 1B





# High Speed Super Low Power SRAM

32K-Word By 8 Bit

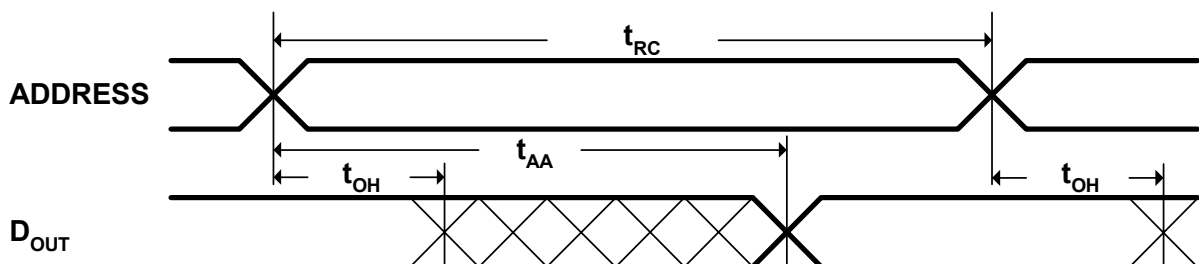
CS18LV02565

## ■ AC ELECTRICAL CHARACTERISTICS (TA = 0° ~70°C, Vcc = 5.0V) < READ CYCLE >

JEDEC Name	Symbol	Description	-55		-70		Unit
			MIN	MAX	MIN	MAX	
t <sub>AVAX</sub>	t <sub>RC</sub>	Read Cycle Time	55		70		ns
t <sub>AVQV</sub>	t <sub>AA</sub>	Address Access Time		55		70	ns
t <sub>ELQV</sub>	t <sub>ACE</sub>	Chip Select Access Time		55		70	ns
t <sub>GLQV</sub>	t <sub>OE</sub>	Output Enable to Output Valid		30		50	ns
t <sub>ELQX</sub>	t <sub>CLZ</sub>	Chip Select to Output Low Z	10		10		ns
t <sub>GLQX</sub>	t <sub>OLZ</sub>	Output Enable to Output in Low Z	5		5		ns
t <sub>EHQZ</sub>	t <sub>CHZ</sub>	Chip Deselect to Output in High Z	0	35	0	35	ns
t <sub>GHQZ</sub>	t <sub>OHZ</sub>	Output Disable to Output in High Z	0	30	0	30	ns
t <sub>AXOX</sub>	t <sub>OH</sub>	Address Change to Out Disable	10		10		ns

## ■ SWITCHING WAVEFORMS (READ CYCLE)

### READ CYCLE<sub>1</sub> <sup>(1,2,4)</sup>

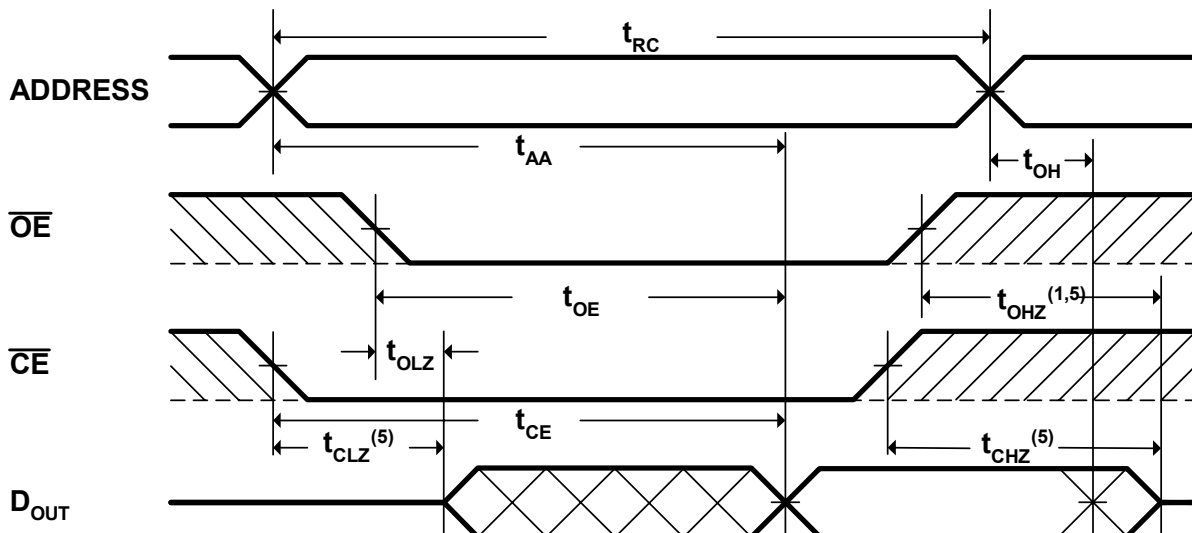




### READ CYCLE2 <sup>(1,3,4)</sup>



### READ CYCLE3 <sup>(1,4)</sup>



#### NOTES:

1.  $\overline{WE}$  is high in read Cycle.
2. Device is continuously selected when  $\overline{CE} = V_{IL}$ .
3. Address valid prior to or coincident with  $\overline{CE}$  transition low.
4.  $\overline{OE} = V_{IL}$ .
5. Test conditions assume signal transition times of 5ns or less, timing reference levels of 0.5VCC, input pulse levels of 0V to VCC and output loading specified in Figure 1A.
6. Transition is measured  $\pm 500mV$  from steady state with  $C_L = 5pF$  as shown in Figure 1B. The parameter is guaranteed but not 100% tested.



# High Speed Super Low Power SRAM

32K-Word By 8 Bit

CS18LV02565

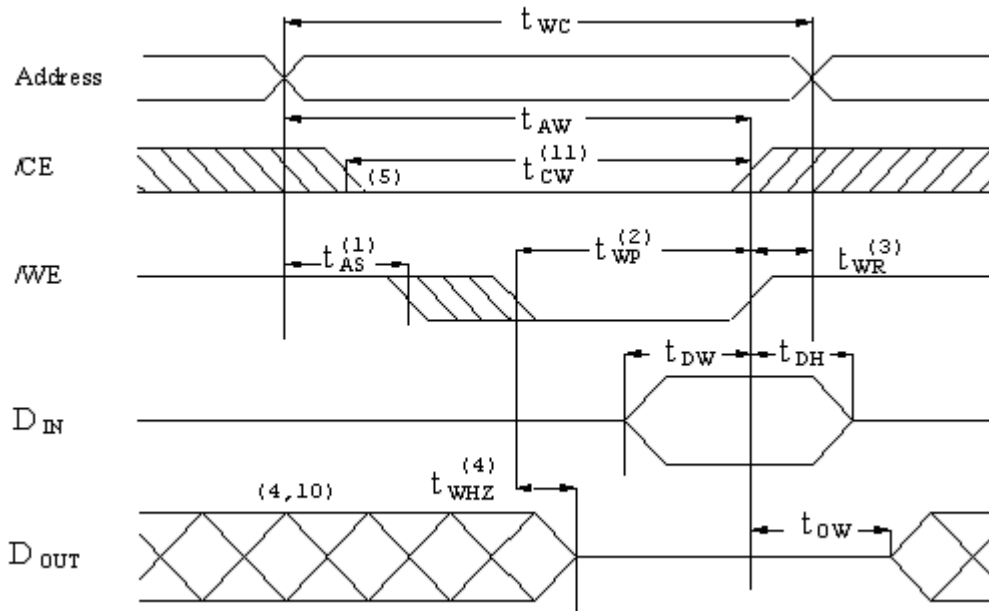
## ■ AC ELECTRICAL CHARACTERISTICS (TA = 0° ~70°C, Vcc = 5.0V)

### < WRITE CYCLE >

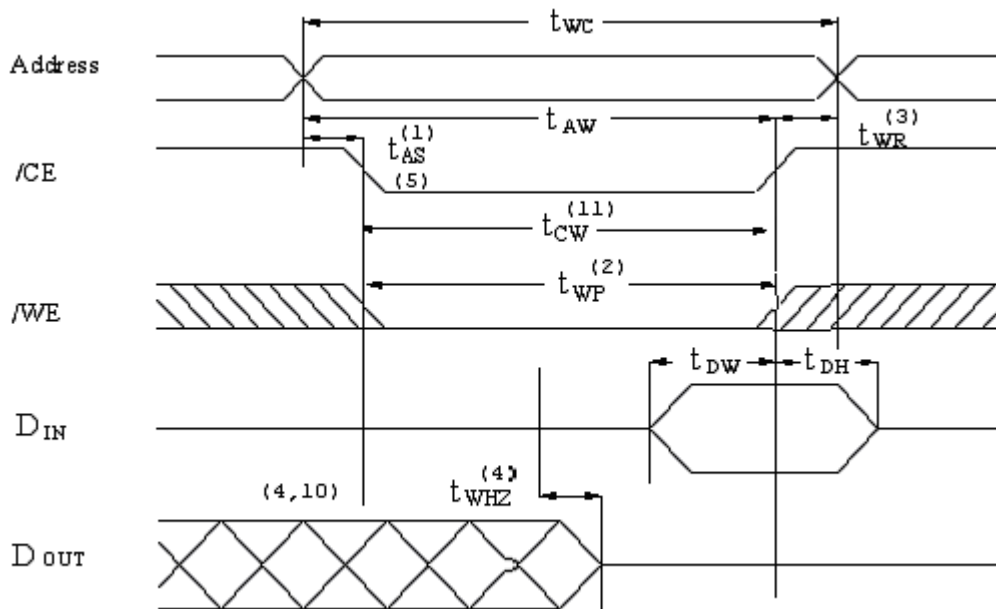
JEDEC Name	Symbol	Description	-55		-70		Unit
			MIN	MAX	MIN	MAX	
t <sub>AVAX</sub>	t <sub>wc</sub>	Write Cycle Time	55		70		ns
t <sub>E1LWH</sub>	t <sub>cw</sub>	Chip Select to End of Write	55		70		ns
t <sub>AVWL</sub>	t <sub>AS</sub>	Address Setup Time	0		0		ns
t <sub>AVWH</sub>	t <sub>AW</sub>	Address Valid to End of Write	55		70		ns
t <sub>WLWH</sub>	t <sub>wP</sub>	Write Pulse Width	40		50		ns
t <sub>WHAX</sub>	t <sub>wR</sub>	Write Recovery Time	0		0		ns
t <sub>WLQZ</sub>	t <sub>wHZ</sub>	Write to Output in High Z		25		35	ns
t <sub>DVWH</sub>	t <sub>DW</sub>	Data to Write Time Overlap	20		30		ns
t <sub>WHDX</sub>	t <sub>DH</sub>	Data Hold for Write End	0		0		ns
t <sub>GHQZ</sub>	t <sub>OHZ</sub>	Output Disable to Output in High Z	0	30	0	30	ns
t <sub>WHOX</sub>	t <sub>ow</sub>	End of Write to Output Active	5		5		ns

## SWITCHING WAVEFORMS (WRITE CYCLE)

WRITE CYCLE1 (Write Enable Controlled)



WRITE CYCLE2 (Chip Enable Controlled)





# High Speed Super Low Power SRAM

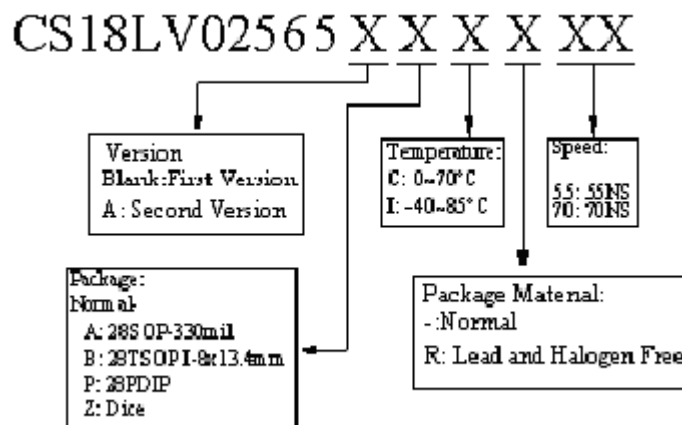
32K-Word By 8 Bit

CS18LV02565

## NOTES:

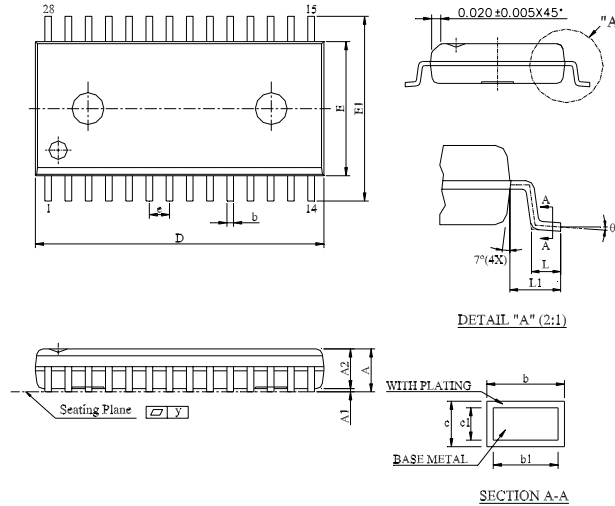
1. /WE must be high during address transitions.
2. The internal write time of the memory is defined by the overlap of /CE and /WE low. All signals must be active to initiate a write and any one signal can terminate a write by going inactive. The data input setup and hold timing should be referenced to the second transition edge of the signal that terminates the write.
3.  $T_{WR}$  is measured from the earlier of /CE or /WE going high at the end of write cycle.
4. During this period, DQ pins are in the output state so that the input signals of opposite phase to the outputs must not be applied.
5. If the /CE low transition occurs simultaneously with the /WE low transitions or after the /WE transition, output remain in a high impedance state.
6. /OE is continuously low ( $/OE = V_{IL}$ ).  $D_{OUT}$  is the same phase of write data of this write cycle.
7.  $D_{OUT}$  is the read data of next address.
8. If /CE is low during this period, DQ pins are in the output state. Then the data input signals of opposite phase to the outputs must not be applied to them.
9. Test conditions assume signal transition times of 5ns or less, timing reference levels of 0.5VCC, input pulse levels of 0V to VCC and output loading specified in Figure 1A.
10. Transition is measured  $\pm 500mV$  from steady state with  $C_L = 5pF$  as shown in Figure 1B. The parameter is guaranteed but not 100% tested.
11.  $T_{CW}$  is measured from the later of /CE going low to the end of write.

## ■ ORDER INFORMATION



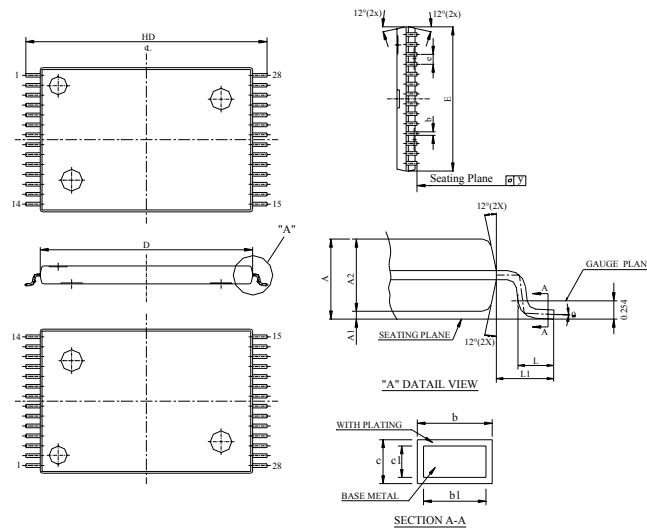
### PACKAGE DIMENSIONS

- 28 pin SOP (330 mil) :



SYMBOL		A	A1	A2	b	b1	c	c1	D	E	E1	e	L	L1	y	Ø
mm	Min.	2.540	0.102	2.362	0.35	0.35	0.20	0.20	17.983	8.280	11.506	1.118	0.700	1.520	-	0°
	Nom.	2.692	0.226	2.489	-	-	-	-	18.110	8.407	11.811	1.270	0.964	1.720	-	-
	Max.	2.844	0.350	2.616	0.50	0.45	0.32	0.28	18.237	8.534	12.116	1.422	1.228	1.920	0.1	10°
inch	Min.	0.100	0.004	0.093	0.014	0.014	0.008	0.008	0.708	0.326	0.453	0.044	0.0276	0.0598	-	0°
	Nom.	0.106	0.009	0.098	-	-	-	-	0.713	0.331	0.465	0.050	0.0380	0.0677	-	-
	Max.	0.112	0.014	0.103	0.020	0.018	0.012	0.011	0.718	0.336	0.477	0.056	0.0484	0.0756	0.004	10°

- 28 pin TSOP I (8x13.4 mm) :



SYMBOL		A	A1	A2	b	b1	c	c1	D	E	e	HD	L	L1	y	Ø
mm	Min.	1.00	0.050	0.95	0.17	0.17	0.10	0.10	11.70	7.90	0.45	13.20	0.40	0.70	-	0°
	Nom.	1.10	0.115	1.00	0.22	0.20	-	-	11.80	8.00	0.55	13.40	0.50	0.80	-	-
	Max.	1.20	0.180	1.05	0.27	0.23	0.21	0.16	11.90	8.10	0.65	13.60	0.70	0.90	0.1	8°
inch	Min.	0.0393	0.0019	0.037	0.007	0.007	0.004	0.004	0.461	0.311	0.018	0.520	0.0157	0.0275	-	0°
	Nom.	0.0433	0.0045	0.039	0.009	0.008	-	-	0.465	0.315	0.022	0.528	0.0197	0.0315	-	-
	Max.	0.0473	0.0071	0.041	0.011	0.009	0.008	0.006	0.469	0.319	0.026	0.536	0.0277	0.0355	0.004	8°

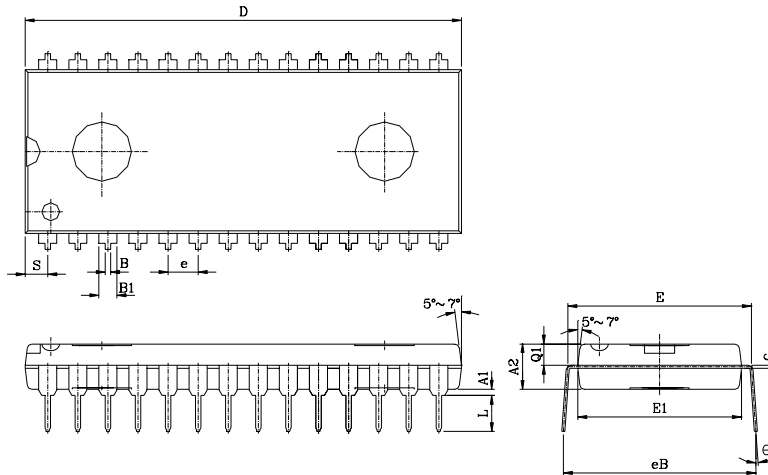


# High Speed Super Low Power SRAM

32K-Word By 8 Bit

CS18LV02565

- 28 pin PDIP (600mil):



SYMBOL		A1	A2	B	B1	c	D	E	E1	e	eB	L	S	Q1	Θ
UNIT															
mm	Min.	0.254	3.683	0.330	1.270	0.152	36.957	14.986	13.716	2.540 (TYP)	15.748	3.048	1.778	1.651	3°
	Nom.	-	3.810	0.457	1.524	0.254	37.084	15.240	13.818		16.256	3.302	2.032	1.778	6°
	Max.	-	3.937	0.584	1.778	0.356	37.211	15.494	13.920		16.764	3.556	2.286	1.905	9°
inch	Min.	0.010	0.145	0.013	0.050	0.006	1.455	0.590	0.540	0.100 (TYP)	0.620	0.120	0.070	0.065	3°
	Nom.	-	0.150	0.018	0.060	0.010	1.460	0.600	0.544		0.640	0.130	0.080	0.070	6°
	Max.	-	0.155	0.023	0.070	0.014	1.465	0.610	0.548		0.660	0.140	0.090	0.075	9°