



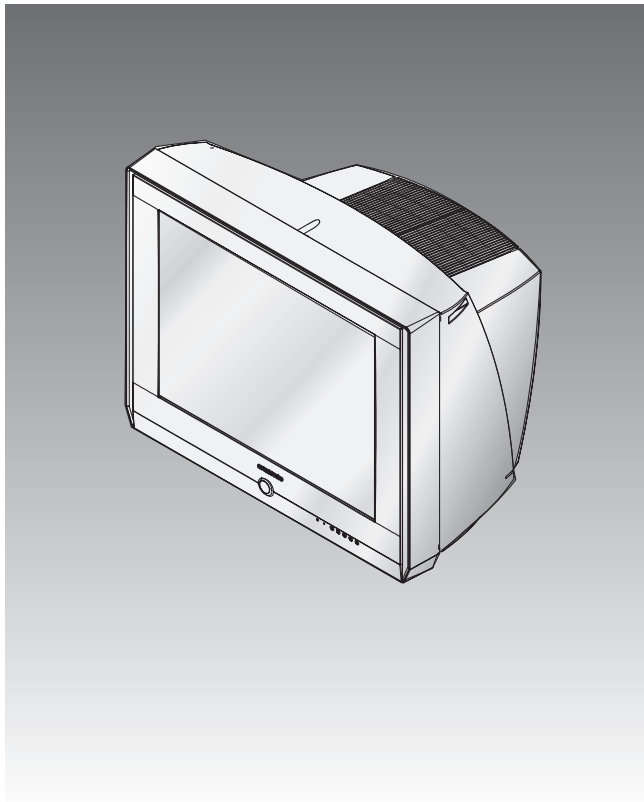
COLOR TELEVISION RECEIVER

Chassis : S61A(P)Negitiator_Rev.2

Model : CS25M20SSNSKLG
CS29M20SPNS/KLG
CS29M20SSNSKLG

SERVICE Manual

COLOR TELEVISION RECEIVER



CONTENTS

1. Specifications
2. Alignment and Adjustments
3. Exploded Views and Parts List
4. Electrical Parts List
5. PCB Diagram
6. Schematic Diagrams



ELECTRONICS

This Service Manual is a property of Samsung Electronics Co.,Ltd.
Any unauthorized use of Manual can be punished under applicable
International and/or domestic law.

© Samsung Electronics Co., Ltd. **Apr. 2005**
Printed in Korea
AA82-02379A

1. Specifications

Country	INDEX	
F I X E D	Origin Mark	Made in local country of Made in KOREA(Samsung)
	Color Demodulation	PAL/SECAM/NTSC 4.43 /NTSC3.58
	Sound Receiving was	Quasi-split
	Sound Demodulation	VIRTUAL DOLBY(NICAM/STEREO)
	Antenna	75ohmDIN - Jack(V/U)
	Channel search	F/S REMOCON
	Channel numbers	Air+CATV (41CH)
	Input voltage	AC 160V-300V
	Power Input frequency	50Hz
	Power STR	5Q1565RF
	Power insulation	SMPS/COLD
U n f i x e d	Receiving(P/G) CH	VHF: 2~12, UHF: 21~69, CATV: S1~S41CH
	BRAND/BUYER	SAMSUNG/BWT (Depend on the Buyer)
	Safety	GOST
	Power cord / Polarity	CP2 /NO
Character	* Simple 100Hz SCAN * 2 SCARTS / HALF TONE OSD * 2T- PIP	

MEMO

2. Alignment and Adjustments

2-1 Adjustments

2-1-1 General Alignment Instructions

Usually, a color TV needs only slight touch-up adjustment upon installation. Check the basic characteristics such as vertical size, horizontal size, and focus. Observe the picture and check for good black and white details. There must be no objectionable color shading: If color shading is present, demagnetize the receiver. If color shading persists, re-do purity and convergence adjustments.

Note :

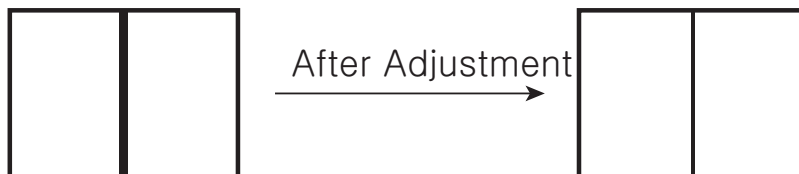
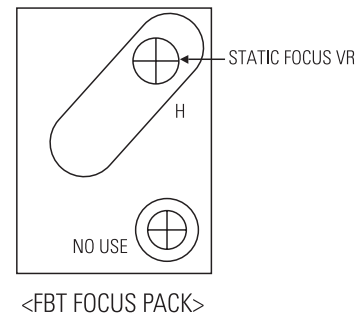
1. This '4. Alignment and Adjustments' applies to S61A chassis applications.
2. AC Power Supply: 160~300V or 100~240V, 50Hz
3. This service manual has been written on the basis of domestic remote-control model adopting S61A chassis. Depending on sales location and product specifications, some of specifications herein may be changed.

2-1-2 Focus Adjustment

S61A contains a dynamic focus circuit. When CRT PCB, FBT or CRT is replaced, be sure to adjust in the following sequence:

Focus Adjustment

1. Input a crosshatch pattern.
2. Select "Standard" from the menu,
3. Turn the Static Focus VR clockwise to set it to its maximum.
4. Turn the Static Focus VR counterclockwise slowly for the clearest center vertical line.
5. Turn the Dynamic Focus VR clockwise slowly for the clearest third line.
6. Check for the FOCUS of entire screen. If necessary, re-do adjustments 3~5.

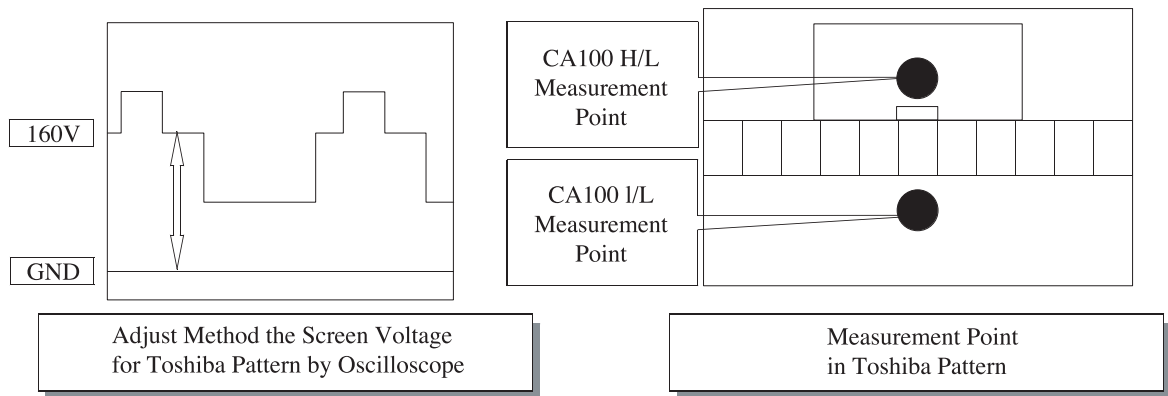


2-1-3 Screen Voltage Adjustment

1. Input a Toshiba pattern.
2. Use an oscilloscope to identify RK, BK, GK. And then adjust FBT Screen VR so that the voltage of pedestal level doesn't exceed 160V.
 If a Toshiba pattern is not available, cancel the blue screen and input "No Signal" to AV IN so the voltage of pedestal level doesn't exceed 175V.
 If an oscilloscope is not available, use a DC multi-meter in No Signal (black screen) to adjust RK, BK, GK so that the highest voltage becomes 160Vp-p.

2-1-4 White Balance Adjustment

1. Warm up the TV set for at least 30 minutes.
2. Enter the Service Mode by pressing the remote control keys in the following sequence:
 Power Off ½ Display ½ Menu ½ Mute ½ Power On
3. Initialize all set data.
4. Input a Toshiba pattern.
5. Using a probe(CA100), do the White Balance adjustments.
 - (1) Adjust Low-Light.
 - Adjust Sub Brightness to set Y.
 - Adjust B Cutoff to set y.
 - Adjust R Cutoff to set x.
 - (2) Adjust High-Light.
 - Adjust Sub Contrast to set Y.
 - Adjust B Drive to set y.
 - Adjust R Drive to set x.
 - (3) Check the value of Low-Light. If necessary, readjust Low-Light.
 - (4) Check the value of High-Light. If necessary, readjust High-Light.15



2-1-5 When adjusting Screen Voltage and White Balance

1. Screen Voltage and White Balance are related each other. Make sure both adjustments are correct.
2. Adjust Screen Voltage before White Balance Adjustments. Make sure Screen Voltage is correct.
3. If White Balance has been readjusted, re-check Screen Voltage.
4. After adjustments are complete, check the following.
 - If spots appear on the screen after pressing the Power On/Off key, readjust Screen Voltage.
 - If flyback lines appear on the screen, readjust Screen Voltage.

2-2 MICOM PORT

PIN	FUNCTION	FIRST STATE	ASSIGNMENT												
1	DO1		EPROM & SRAM DATA LINE												
2	DO4														
3	DO2														
4	DO3														
5	XROM '														
6	VDD 2.5V														
7	GND														
8	VDD 3.3V														
9	W-PROT/STOP		- EEPROM WRITE PROTECTION / BUS STOP												
10	EEPROMSDA		- EEPROM SDA LINE												
11	EEPROMSCL		- EEPROM SCL LINE												
12	--		--												
13	MAIN SDA		- SDA9489/VSP941X/CXA2165/CXA2151/SP34XX/TUNER												
14	MAIN SCL		- SDA9489/VSP941X/CXA2165/CXA2151/SP34XX/TUNER												
15	--														
16	--														
17	ENE '														
18	STOP '														
19	OCF														
20	EXTIF '														
21	CVBS IN		- TTX source Line (1V p-p)												
22	VDD 2.5V														
23	GND		- Analog GND												
24	AFT		- Main AFT Control												
25	SC1-ID		<table border="1"> <thead> <tr> <th></th> <th>TV MODE</th> <th>AV 16:9 MODE</th> <th>AV 4:3 MODE</th> </tr> </thead> <tbody> <tr> <td>RANGE</td> <td>0 ~ 2V</td> <td>4.5 ~ 7V</td> <td>9.5 ~ 12V</td> </tr> </tbody> </table>		TV MODE	AV 16:9 MODE	AV 4:3 MODE	RANGE	0 ~ 2V	4.5 ~ 7V	9.5 ~ 12V				
	TV MODE	AV 16:9 MODE	AV 4:3 MODE												
RANGE	0 ~ 2V	4.5 ~ 7V	9.5 ~ 12V												
26	SC2-ID														
27	KEY-1		<table border="1"> <thead> <tr> <th></th> <th>MENU</th> <th>VOL -</th> <th>VOL +</th> <th>CH -</th> <th>CH +</th> </tr> </thead> <tbody> <tr> <td>Input</td> <td>0 ~ 0.1V</td> <td>0.1 ~ 0.7V</td> <td>0.7V ~ 1.3V</td> <td>1.3V ~ 1.9V</td> <td>1.9 ~ 2.4V</td> </tr> </tbody> </table>		MENU	VOL -	VOL +	CH -	CH +	Input	0 ~ 0.1V	0.1 ~ 0.7V	0.7V ~ 1.3V	1.3V ~ 1.9V	1.9 ~ 2.4V
	MENU	VOL -	VOL +	CH -	CH +										
Input	0 ~ 0.1V	0.1 ~ 0.7V	0.7V ~ 1.3V	1.3V ~ 1.9V	1.9 ~ 2.4V										
28	NC														
29	H-SYNC		- MICOM "H-SYNC" POSITIVE (H-BLANK)												
30	V-SYNC		- MICOM "Y-SYNC" POSITIVE (Y-BLANK)												
31	KEY 2		- TV/VIDEO Control												
32	TXD														
33	2165 F0		<table border="1"> <thead> <tr> <th>F1</th> <th>F0</th> <th>fH</th> </tr> </thead> <tbody> <tr> <td>L</td> <td>M</td> <td>31.5KHz</td> </tr> <tr> <td>M</td> <td>L</td> <td>33.83KHz (1080i)</td> </tr> </tbody> </table> <p>L : Connect to GND M : Open the Pin</p>	F1	F0	fH	L	M	31.5KHz	M	L	33.83KHz (1080i)			
F1	F0	fH													
L	M	31.5KHz													
M	L	33.83KHz (1080i)													

PIN	FUNCTION	FIRST STATE	ASSIGNMENT
34	IR-IN		- Remocon Input jack
35	STD-LED		
36	TIM-LED		- TIME ON : H TIME OFF : L
37	2165 F1		
38	RXD		
39	GND		
40	VDD 3.3V		
41	PX.Y		
42	PX.Y		- OSD F/B
43	1080i		- 1080i 60Hz / 1080i 50Hz /
44	S-AV ID		- SIDE AV S-Video JACK IDENT
45	V-RESET		- F-BOX RESET CONTROL
46	POWER		- Active "LOW "
47	D-COIL		- DEGAUSSING COIL CONTROL
48	S-RESET		- MSP34XX IC RESET
49	S-MUTE		- SOUND AMP MUTE
50	RESET		- Reset pin
51	NC		
52	X-IN		- Crystal (6MHz) Input jack
53	X-OUT		- Crystal (6MHz) Input jack
54	NC_54		
55	GND		
56	VDD2.5V		
57	OSD-R		- OSD R-OUT Out put (0.38V p-p) , Half-Tone : 0.9V p-p
58	OSD-G		- OSD G-OUT Out put (0.38V p-p) , Half-Tone : 0.9V p-p
59	OSD-B		- OSD B-OUT Out put (0.38V p-p) , Half-Tone : 0.9V p-p
60	BLANK/CORE		- OSD F/B (SAND PULSE CLAMP "LOW " Half-Tone")
61	NC_61		
62	TILT		- Control
63	NC_63		
64	WR'		
65	RD'		
66	NC_66		
67	A19		EPROM & SRAM ADDRESS LINE
68	A18		
69	A16		
70	A17		

PIN	FUNCTION	FIRST STATE	ASSIGMENT
71	A15		EPROM & SRAM ADDRESS LINE
72	FL_PGM		
73	VDD 2.5V		
74	GND		
75	VDD3.3V		
76	A14		EPROM & SRAM ADDRESS LINE
77	A12		
78	A13		
79	A7		
80	FL_RST		
81	A8		EPROM & SRAM ADDRESS LINE
82	A6		
83	A9		
84	A5		
85	A11		
86	A4		
87	ALE		
88	PSEN'		
89	A3		EPROM & SRAM ADDRESS LINE
90	A10		
91	GND		
92	VDD3.3V		
93	A2		EPROM & SRAM ADDRESS LINE
94	A1		
95	FL_CE		
96	DO7		EPROM & SRAM DATA LINE
97	A0		EPROM & SRAM ADDRESS LINE
98	DO6		EPROM & SRAM DATA LINE
99	D00		
100	DO5		

2-3 Factory Adjustment

2-3-1 Factory Adjustment values

European Model

SERVICE
Deflection
Video Adjust1
Video Adjust2
Video Adjust3
Video Adjust4
YC Delay
EEPROM
Option
Checksum
Reset

The Others Model

SERVICE
Deflection
480/576P Deflect offset
1080i Deflection offset
Video Adjust1
Video Adjust2
Video Adjust3
Video Adjust4
DTV Video Adjust
YC Delay
EEPROM
Option
Checksum
Reset

2-3-2 Factory Data

DEFLECTION : PAL

ITEMS	CIS			Europe			China		Asia			M.Asia		REMARK
	29"	32"	34"	28"	29"	32"	29"	34"	29"	32"	34"	29"	32"	
V-AMP	26	26	26	26	26	26	26	26	26	26	26	26	26	Vertical AMP adj(Gain Control)
V-SHIFT	30	30	30	30	30	30	30	30	30	30	30	30	30	Vertical Position adj (DC bias adj)
H-EW	33	33	33	33	33	33	33	33	33	33	33	33	33	Horizontal AMP adj(Gain Control)
H-SHIFT	35	35	35	35	35	35	35	35	35	35	35	35	35	Horizontal Position adj (DC bias adj)
V-Linearity	6	6	6	6	6	6	5	5	6	6	6	6	6	Vertical Linearity adj(TOP/Bottom adj)
UP-Linearity	8	8	8	8	8	8	8	8	8	8	8	8	8	Vertical Linearity adj(TOP adj)
LOW-Linearity	4	4	4	4	4	4	4	4	4	4	4	4	4	Vertical Linearity adj(Bottom adj)
V-SC	5	5	5	5	5	5	5	5	5	5	5	5	5	Vertical S correction adj
H-Parablar	48	48	48	48	48	48	48	48	48	48	48	48	48	Horizontal pin distortion adj
UP-Coner	35	35	35	35	35	35	35	35	35	35	35	35	35	Horizontal pin distortion up adj
LOW-Coner	36	36	36	36	36	36	36	36	36	36	36	36	36	Horizontal pin distortion low adj
H-Trapezium	12	12	12	12	12	12	12	12	12	12	12	12	12	Horizontal Trapezium distortion adj
BOW	31	31	31	31	31	31	31	31	31	31	31	31	31	Vertical line slope adj(parabola)
ANGLE	25	25	25	25	25	25	25	25	25	25	25	25	25	Vertical Linearity adj(sawtooth)
V-Position	40	40	40	40	40	40	40	40	40	40	40	40	40	V-POSITION ADJ as to CRT INCH
CXA 2151 Sub01	68	68	68	68	68	68	68	68	68	68	68	68	68	
CXA 2151 Sub02	1	1	1	1	1	1	1	1	1	1	1	1	1	

ITEMS	CIS			Europe			China		Asia			M.Asia		REMARK
	29"	32"	34"	28"	29"	32"	29"	34"	29"	32"	34"	29"	32"	
V-AMP	0	0	0	0	0	0	0	0	0	0	0	0	0	Vertical AMP adj(Gain Control)
V-SHIFT	2	2	2	2	2	2	2	2	2	2	2	2	2	Vertical Position adj (DC bias adj)
H-EW	1	1	1	1	1	1	1	1	1	1	1	1	1	Horizontal AMP adj(Gain Control)
H-SHIFT	9	9	9	9	9	9	9	9	9	9	9	9	9	Horizontal Position adj (DC bias adj)
V-Linearity	2	2	2	2	2	2	2	2	2	2	2	2	2	Vertical Linearity adj(TOP/Bottom adj)
UP-Linearity	1	1	1	1	1	1	1	1	1	1	1	1	1	Vertical Linearity adj(TOP adj)
LOW-Linearity	-1	-1	-1	-1	-1	-1	-1	-1	-1	-1	-1	-1	-1	Vertical Linearity adj(Bottom adj)
V-SC	0	0	0	0	0	0	0	0	0	0	0	0	0	Vertical S correction adj
H-Parablar	0	0	0	0	0	0	0	0	0	0	0	0	0	Horizontal pin distortion adj
UP-Coner	2	2	2	2	2	2	2	2	2	2	2	2	2	Horizontal pin distortion up adj
LOW-Coner	3	3	3	3	3	3	3	3	3	3	3	3	3	Horizontal pin distortion low adj
H-Trapezium	-8	-8	-8	-8	-8	-8	-8	-8	-8	-8	-8	-8	-8	Horizontal Trapezium distortion adj
BOW	1	1	1	1	1	1	1	1	1	1	1	1	1	Vertical line slope adj(parabola)
ANGLE	-3	-3	-3	-3	-3	-3	-3	-3	-3	-3	-3	-3	-3	Vertical Linearity adj(sawtooth)
V-Position	0	0	0	0	0	0	0	0	0	0	0	0	0	V-POSITION ADJ as to CRT INCH
CXA 2151 Sub01	68	68	68	68	68	68	68	68	68	68	68	68	68	
CXA 2151 Sub02	1	1	1	1	1	1	1	1	1	1	1	1	1	

DEFLECTION : NTSC

Video Adjust 1

ITEMS	CIS			Europe			China		Asia			M.Asia		REMARK
	29"	32"	34"	28"	29"	32"	29"	34"	29"	32"	34"	29"	32"	
EE_R_CUTOFF,	35	35	35	35	35	35	35	35	35	35	35	35	35	R-cutoff control adj
EE_G_CUTOFF,	25	25	25	25	25	25	35	35	25	25	25	25	25	G-cutoff control adj
EE_B_CUTOFF,	40	40	40	40	40	40	40	40	40	40	40	40	40	B-cutoff control adj
Color On / Off	1	1	1	1	1	1	1	1	1	1	1	1	1	Initial Value : "0"--> 1
CR Offset	30	30	30	30	30	30	30	30	30	30	30	30	30	DC-offset canceling
CB Offest	30	30	30	30	30	30	30	30	30	30	30	30	30	DC-offset canceling
R Drive	32	32	32	32	32	32	32	32	32	32	32	32	32	R-Drive control adj
G Drive	25	25	25	25	25	25	28	28	25	25	25	25	25	G-Drive control adj
B Drive	41	41	41	41	41	41	41	41	41	41	41	41	41	B-Drive control adj
Sub Bright	48	48	48	48	48	48	48	48	48	48	48	48	48	Sub-Bright control
Sub Contrast	9	9	9	9	9	9	9	9	9	9	9	9	9	Sub-Contrast control
Sub Color	10	10	10	10	10	10	10	10	10	10	10	10	10	color gain control(PAL SETTING AGAIN)
Secam sub color	5	5	5	5	5	5	5	5	5	5	5	5	5	HUE control
Sub Tint	28	28	28	28	28	28	28	28	28	28	28	28	28	Chrominance Transient Improvement
CTI Level	2	2	2	2	2	2	2	2	2	2	2	2	2	color detection axis setting(NTSC/USA)
Color AXIS	1	1	1	1	1	1	1	1	1	1	1	1	1	Luminance Transient Improvement
LTI Level	1	1	1	1	1	1	1	1	1	1	1	1	1	vertical osd position

ITEMS	CIS			Europe			China		Asia			M.Asia		REMARK
	29"	32"	34"	28"	29"	32"	29"	34"	29"	32"	34"	29"	32"	
ABL Mode	3	3	3	3	3	3	3	3	3	3	3	3	3	picture/bright ABL gain control(PAL SETTING AGAIN)
Gamma	2	2	2	2	2	2	3	3	2	2	2	2	2	RGB output correction control(PAL SETTING AGAIN)
DPIC Level	3	3	3	3	3	3	3	3	3	3	3	3	3	Dynamic picture black expansion control(PAL SETTING AGAIN)
DC Trans	2	2	2	2	2	2	2	2	2	2	2	2	2	Y-System DC transmission ratio(PAL SETTING AGAIN)
ABL-TH	14	14	14	14	14	14	14	14	14	14	14	14	14	Threshold voltage adj ABL-IN(PAL SETTING AGAIN)
VM-Level	2	2	2	2	2	2	2	2	2	2	2	2	2	VM-OUT Level control
VM-Coring	2	2	2	2	2	2	2	2	2	2	2	2	2	VM-OUT coring control
VM-f0	2	2	2	2	2	2	2	2	2	2	2	2	2	VM-f0 control
VM-Limit	2	2	2	2	2	2	2	2	2	2	2	2	2	VM-Limit level control
VM-Delay	3	3	3	3	3	3	3	3	3	3	3	3	3	VM-OUT phase control(reference to R-OUT)
SHP CD	1	1	1	1	1	1	1	1	1	1	1	1	1	Sharpness gain control(color saturation)
SHP f0	0	0	0	0	0	0	0	0	0	0	0	0	0	Sharpness f0 control (3Mhz)
SHP f1& p/o	8	8	8	8	8	8	8	8	8	8	8	8	8	Sharpness gain control(PAL SETTING AGAIN)
AKB Time	15	15	15	15	15	15	15	15	15	15	15	15	15	AKB Bch reference pulse time control(PAL SETTING AGAIN)
Coring	0	0	0	0	0	0	0	0	0	0	0	0	0	
Bandpass	7	7	7	7	7	7	7	7	7	7	7	7	7	VSP9402 Band/High pass filter(Peaking)
Highpass	8	8	8	8	8	8	10	10	8	8	8	8	8	VSP9402 High pass filter

Video Adjust 4

ITEMS	CIS			Europe			China		Asia			M.Asia		REMARK
	29"	32"	34"	28"	29"	32"	29"	34"	29"	32"	34"	29"	32"	
3Pip Pal V position	11	11	11	11	11	11	11	11	11	11	11	11	11	PIP Option
3Pip Pal H Position	13	13	13	13	13	13	13	13	13	13	13	13	13	PIP Option
3Pip Ntsc V Position	12	12	12	12	12	12	12	12	12	12	12	12	12	PIP Option
3Pip Ntsc H Position	19	19	19	19	19	19	19	19	19	19	19	19	19	PIP Option
Sync Phase (480p)	1	1	1	1	1	1	1	1	1	1	1	1	1	DTV Option
Sync Phase (576p)	1	1	1	1	1	1	1	1	1	1	1	1	1	DTV Option
Sync Phase (1080i)	0	0	0	0	0	0	0	0	0	0	0	0	0	DTV Option

YC Delay

ITEMS	CIS			Europe			China		Asia			M.Asia		REMARK
	29"	32"	34"	28"	29"	32"	29"	34"	29"	32"	34"	29"	32"	
P.YC (AV) Delay	-9	-9	-9	-9	-9	-9	-9	-9	-9	-9	-9	-9	-9	
S.YC (AV) Delay	-8	-8	-8	-8	-8	-8	-8	-8	-8	-8	-8	-8	-8	
N.YC (AV) Delay	-8	-8	-8	-8	-8	-8	-8	-8	-8	-8	-8	-8	-8	
P.BG.YC Delay	-8	-8	-8	-8	-8	-8	-8	-8	-8	-8	-8	-8	-8	
P.DK.YC Delay	-10	-10	-10	-10	-10	-10	-10	-10	-10	-10	-10	-10	-10	
P.I.YC Delay	-10	-10	-10	-10	-10	-10	-10	-10	-10	-10	-10	-10	-10	
P.M.YC DELAY	-9	-9	-9	-9	-9	-9	-9	-9	-9	-9	-9	-9	-9	
P.L.YC Delay	-8	-8	-8	-8	-8	-8	-8	-8	-8	-8	-8	-8	-8	
S.BG.YC Delay	-6	-6	-6	-6	-6	-6	-6	-6	-6	-6	-6	-6	-6	
S.DK.YC Delay	-8	-8	-8	-8	-8	-8	-8	-8	-8	-8	-8	-8	-8	

480p Deflection OFFSET

ITEMS	CIS			Europe			China		Asia			M.Asia		REMARK
	29"	32"	34"	28"	29"	32"	29"	34"	29"	32"	34"	29"	32"	
V Amp	-1	-1	-1	-1	-1	-1	-1	-1	-1	-1	-1	-1	-1	
V_SHIFT	-1	-1	-1	-1	-1	-1	-1	-1	-1	-1	-1	-1	-1	
H EW	2	2	2	2	2	2	2	2	2	2	2	2	2	
H Shift	-14	-14	-14	-14	-14	-14	-14	-14	-14	-14	-14	-14	-14	
V Linearity	-1	-1	-1	-1	-1	-1	-1	-1	-1	-1	-1	-1	-1	
Upper-Linearity	0	0	0	0	0	0	0	0	0	0	0	0	0	
Lower-Linearity	0	0	0	0	0	0	0	0	0	0	0	0	0	
V SC	0	0	0	0	0	0	0	0	0	0	0	0	0	
H Parablar	0	0	0	0	0	0	0	0	0	0	0	0	0	
Upper Corner	4	4	4	4	4	4	4	4	4	4	4	4	4	
Lower Corner	-3	-3	-3	-3	-3	-3	-3	-3	-3	-3	-3	-3	-3	
H Trapezium	11	11	11	11	11	11	11	11	11	11	11	11	11	
Bow	0	0	0	0	0	0	0	0	0	0	0	0	0	
Angle	0	0	0	0	0	0	0	0	0	0	0	0	0	
V Position	0	0	0	0	0	0	0	0	0	0	0	0	0	
CXA 2151 Sub01	232	232	232	232	232	232	232	232	232	232	232	232	232	
CXA 2151 Sub02	97	97	97	97	97	97	97	97	97	97	97	97	97	

ITEMS	CIS			Europe			China		Asia			M.Asia		REMARK
	29"	32"	34"	28"	29"	32"	29"	34"	29"	32"	34"	29"	32"	
V Amp	1	1	1	1	1	1	1	1	1	1	1	1	1	
V_SHIFT	1	1	1	1	1	1	1	1	1	1	1	1	1	
H EW	0	0	0	0	0	0	0	0	0	0	0	0	0	
H Shift	-3	-3	-3	-3	-3	-3	-3	-3	-3	-3	-3	-3	-3	
V Linearity	0	0	0	0	0	0	0	0	0	0	0	0	0	
Upper-Linearity	0	0	0	0	0	0	0	0	0	0	0	0	0	
Lower-Linearity	0	0	0	0	0	0	0	0	0	0	0	0	0	
V SC	0	0	0	0	0	0	0	0	0	0	0	0	0	
H Parablar	0	0	0	0	0	0	0	0	0	0	0	0	0	
Upper Corner	0	0	0	0	0	0	0	0	0	0	0	0	0	
Lower Corner	1	1	1	1	1	1	1	1	1	1	1	1	1	
H Trapezium	6	6	6	6	6	6	6	6	6	6	6	6	6	
Bow	0	0	0	0	0	0	0	0	0	0	0	0	0	
Angle	2	2	2	2	2	2	2	2	2	2	2	2	2	
V Position	0	0	0	0	0	0	0	0	0	0	0	0	0	
CXA 2151 Sub01	232	232	232	232	232	232	232	232	232	232	232	232	232	
CXA 2151 Sub02	97	97	97	97	97	97	97	97	97	97	97	97	97	

576p Deflection OFFSET

10801 Deflection OFFSET

ITEMS	CIS			Europe			China		Asia			M.Asia		REMARK
	29"	32"	34"	28"	29"	32"	29"	34"	29"	32"	34"	29"	32"	
V Amp	3	3	3	3	3	3	3	3	3	3	3	3	3	
V_SHIFT	-3	-3	-3	-3	-3	-3	-3	-3	-3	-3	-3	-3	-3	
H EW	-11	-11	-11	-11	-11	-11	-11	-11	-11	-11	-11	-11	-11	
H Shift	8	8	8	8	8	8	8	8	8	8	8	8	8	
V Linearity	-2	-2	-2	-2	-2	-2	-2	-2	-2	-2	-2	-2	-2	
Upper-Linearity	0	0	0	0	0	0	0	0	0	0	0	0	0	
Lower-Linearity	0	0	0	0	0	0	0	0	0	0	0	0	0	
V SC	-1	-1	-1	-1	-1	-1	-1	-1	-1	-1	-1	-1	-1	
H Parablar	-9	-9	-9	-9	-9	-9	-9	-9	-9	-9	-9	-9	-9	
Upper Corner	1	1	1	1	1	1	1	1	1	1	1	1	1	
Lower Corner	-5	-5	-5	-5	-5	-5	-5	-5	-5	-5	-5	-5	-5	
H Trapezium	10	10	10	10	10	10	10	10	10	10	10	10	10	
Bow	2	2	2	2	2	2	2	2	2	2	2	2	2	
Angle	1	1	1	1	1	1	1	1	1	1	1	1	1	
V Position	0	0	0	0	0	0	0	0	0	0	0	0	0	
CXA 2151 Sub01	196	196	196	196	196	196	196	196	196	196	196	196	196	
CXA 2151 Sub02	97	97	97	97	97	97	97	97	97	97	97	97	97	

ITEMS	CIS			Europe			China		Asia			M.Asia		REMARK
	29"	32"	34"	28"	29"	32"	29"	34"	29"	32"	34"	29"	32"	
Sub Bright	10	10	10	10	10	10	10	10	10	10	10	10	10	
Sub Contrast	6	6	6	6	6	6	6	6	6	6	6	6	6	
Sub Color	15	15	15	15	15	15	15	15	15	15	15	15	15	
Sub Tint (Hue)	25	25	25	25	25	25	25	25	25	25	25	25	25	
Color AXIS	1	1	1	1	1	1	1	1	1	1	1	1	1	
LTI Level	2	2	2	2	2	2	2	2	2	2	2	2	2	
VM-Level	1	1	1	1	1	1	1	1	1	1	1	1	1	
VM-Coring	2	2	2	2	2	2	2	2	2	2	2	2	2	
VM-f0	2	2	2	2	2	2	2	2	2	2	2	2	2	
VM-Limit	2	2	2	2	2	2	2	2	2	2	2	2	2	
VM-Delay	3	3	3	3	3	3	3	3	3	3	3	3	3	
SHP CD	1	1	1	1	1	1	1	1	1	1	1	1	1	
SHP f0	0	0	0	0	0	0	0	0	0	0	0	0	0	
SHP f1& p10	8	8	8	8	8	8	8	8	8	8	8	8	8	

ITEMS	CIS			Europe			China		Asia			M.Asia		REMARK
	29"	32"	34"	28"	29"	32"	29"	34"	29"	32"	34"	29"	32"	
Sub Bright	12	12	12	12	12	12	12	12	12	12	12	12	12	
Sub Contrast	7	7	7	7	7	7	7	7	7	7	7	7	7	
Sub Color	12	12	12	12	12	12	12	12	12	12	12	12	12	
Sub Tint (Hue)	26	26	26	26	26	26	26	26	26	26	26	26	26	
Color AXIS	1	1	1	1	1	1	1	1	1	1	1	1	1	
LTI Level	1	1	1	1	1	1	1	1	1	1	1	1	1	
VM-Level	1	1	1	1	1	1	1	1	1	1	1	1	1	
VM-Coring	2	2	2	2	2	2	2	2	2	2	2	2	2	
VM-f0	2	2	2	2	2	2	2	2	2	2	2	2	2	
VM-Limit	2	2	2	2	2	2	2	2	2	2	2	2	2	
VM-Delay	3	3	3	3	3	3	3	3	3	3	3	3	3	
SHP CD	1	1	1	1	1	1	1	1	1	1	1	1	1	
SHP f0	0	0	0	0	0	0	0	0	0	0	0	0	0	
SHP f1& p10	8	8	8	8	8	8	8	8	8	8	8	8	8	

ITEMS	CIS		Europe		China	Asia		M.Asia		REMARK
	29"/34"	32"	29"	28"/32"	29"/34"	29"/34"	32"	29"	32"	
CRT	4:3	Wide	4:3	Wide	4:3	4:3	Wide	4:3	Wide	4:3,WIDE
Osd Group	CIS		-		China	East Asia		Arab or Persia		CIS,Arab,Persia, Europe,East Asia,China
OSD Language	Russian		-		chinese	Engilish		Engilish		Pertinent language
AV-Jack	Scart		Scart		Rca	Rca		Rca(Scart)		SCART(CIS,EUROPE)/RCA(ASIA,AUSTRALIA)
DTV	No		No		Yes	No		No		DTV S/W data control
PIP	2-tuner		off		off	2-tuner		2-tuner		"off", "1-tuner", "2-tuner"
LNA	On		off		off	On		On		On : 2T PIP All Model Off: 1TUNER / No PIP
SEARCH_LNA	On		off		off	On		On		On : 2T PIP LNA All Model Off: 1TUNER / No PIP"
SOUND	Virtual Dolby		Virtual Dolby		Virtual Dolby	Virtual Dolby		Virtual Dolby		V-DOLBY/A2-NICAM
Auto FM	On		On		On	On		On		On : FM Auto change(All model) Off : MODE ON(Currently nothing)
Carrier mute	Off		On		Off	Off		Off		On:Europe/Italy Off:Other
HIGH Deviation	Off		Off		On	Off		Off		ON : INDIA ,KOREA Other : OFF
Woofer	Off		Off		Off	Off		Off		
TTX Group	Russian		Osd Language		west europe	west europe		west europe		TTX Language Group
TTX TOP	Off		off		Off	Off		Off		ON : German,Swiss OFF : Other Area
TTX LIST	Off		off		Off	Off		Off		ON : Australia OFF : Other Area
TTX ON/OFF	On		off		Off	off		Off		OFF/ON : TTX ON or OFF
DTV1080I	60HZ		60HZ		50HZ	60HZ		60HZ		50HZ: Australia,China 60HZ: Southeast Asia area
Digital NR	On		On		On	On		On		ON : Digital NR ON OFF :Digital NR OFF
AGC on/off	off		off		off	off		off		ON : sync In standard AGC gain control(Overflow control) OFF : AGC gain fixed value
Tilt on/off	ON		ON		ON	ON		ON		ON : Tilt function ON (OSD display) OFF : Tilt function OFF (OSD no display)

EEPROM Data

No.	Items	CIS			Europe			China		Asia			M.Asia	
		29"	32"	34"	28"	29"	32"	29"	34"	29"	32"	34"	29"	32"
0	System	1	1	1	1	1	1	1	1	1	1	1	1	1
1		-	-	-	-	-	-	-	-	-	-	-	-	-
2	System (480p)	2	2	2	2	2	2	2	2	2	2	2	2	2
3	System (1080i)	3	3	3	3	3	3	3	3	3	3	3	3	3
4	Dynamic Contrast	100	100	100	100	100	100	100	100	100	100	100	100	100
5	Dynamic Brightness	50	50	50	50	50	50	50	50	50	50	50	50	50
6	Dynamic Sharpness	55	55	55	55	55	55	55	55	55	55	55	55	55
7	Dynamic Color	50	50	50	50	50	50	50	50	50	50	50	50	50
8	Dynamic Tint	50	50	50	50	50	50	50	50	50	50	50	50	50
9	Dynamic Color Tone													
10	Standard Contrast	70	70	70	70	70	70	70	70	70	70	70	70	70
11	Standard Brightness	50	50	50	50	50	50	50	50	50	50	50	50	50
12	Standard Sharpness	50	50	50	50	50	50	50	50	50	50	50	50	50
13	Standard Color	50	50	50	50	50	50	50	50	50	50	50	50	50
14	Standard Tint	50	50	50	50	50	50	50	50	50	50	50	50	50
15	Standard Color Tone	-	-	-	-	-	-	-	-	-	-	-	-	-
16	Movie Contrast	40	40	40	40	40	40	40	40	40	40	40	40	40
17	Movie Brightness	50	50	50	50	50	50	50	50	50	50	50	50	50
18	Movie Sharpness	40	40	40	40	40	40	40	40	40	40	40	40	40
19	Movie Color	45	45	45	45	45	45	45	45	45	45	45	45	45
20	Movie Tint	50	50	50	50	50	50	50	50	50	50	50	50	50
21	Movie Color Tone	-	-	-	-	-	-	-	-	-	-	-	-	-
22														
23														
24														
25														
26	Left Blanking (480p)	215	215	215	215	215	215	215	215	215	215	215	215	215

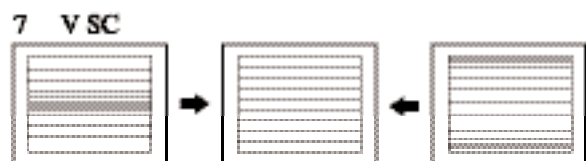
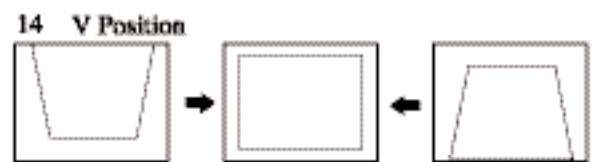
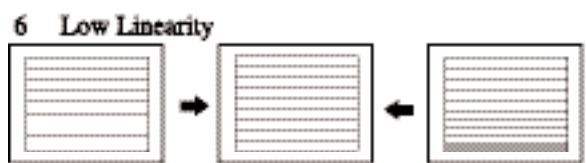
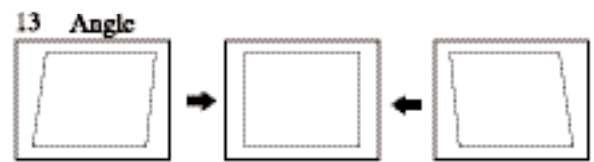
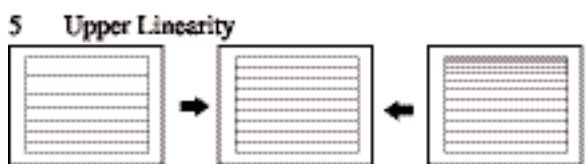
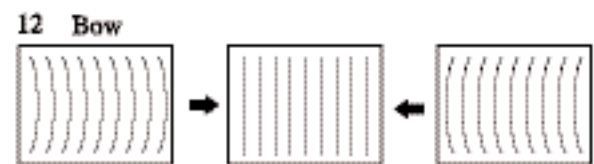
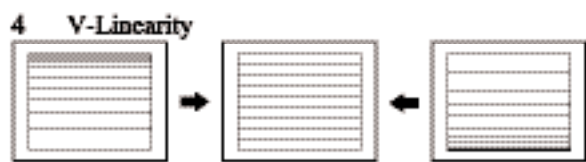
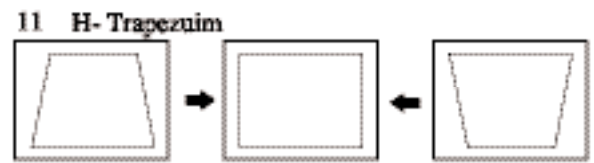
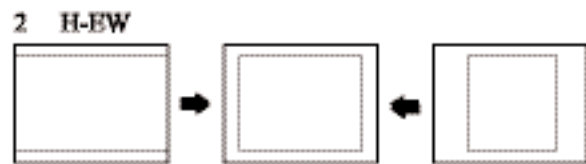
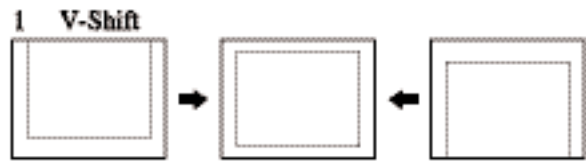
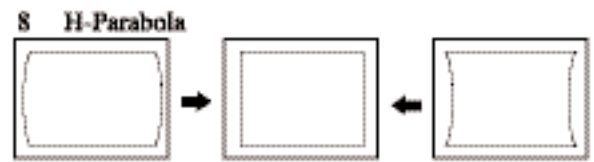
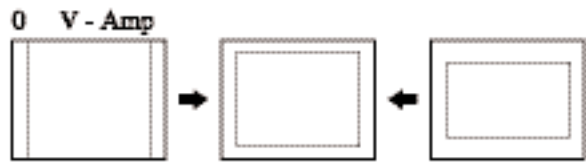
No.	Items	CIS			Europe			China		Asia			M.Asia	
		29"	32"	34"	28"	29"	32"	29"	34"	29"	32"	34"	29"	32"
27	Right Blanking (480p)	169	169	169	169	169	169	169	169	169	169	169	169	169
28	Left Blanking (1080i)	141	141	141	141	141	141	141	141	141	141	141	141	141
29	Right Blanking (1080i)	109	109	109	109	109	109	109	109	109	109	109	109	109
30	Brightness (RGB)	236	236	236	236	236	236	236	236	236	236	236	236	236
31	Contrast (RGB)	169	169	169	169	169	169	169	169	169	169	169	169	169
32	U Saturation (RGB)	94	94	94	94	94	94	94	94	94	94	94	94	94
33	V Saturation (RGB)	36	36	36	36	36	36	36	36	36	36	36	36	36
34	DVD Brightness (YPbPr)	221	221	221	221	221	221	221	221	221	221	221	221	221
35	DVD Contrast (YPbPr)	166	166	166	166	166	166	166	166	166	166	166	166	166
36	DVD U Saturation (YPbPr)	122	122	122	122	122	122	122	122	122	122	122	122	122
37	DVD V Saturation (YPbPr)	57	57	57	57	57	57	57	57	57	57	57	57	57
38	9402 Y Gain	175	175	175	175	175	175	175	175	175	175	175	175	175
39	9402 U Gain	71	71	71	71	71	71	71	71	71	71	71	71	71
40														
41	9402 V Gain	65	65	65	65	65	65	65	65	65	65	65	65	65
42	CrCb Gain (480p)	119	119	119	119	119	119	119	119	119	119	119	119	119
43	CrCb Gain (1080i)	119	119	119	119	119	119	119	119	119	119	119	119	119
44	LTI Mode	2	2	2	2	2	2	2	2	2	2	2	2	2
45														
46	LTI Mode (480p)	1	1	1	1	1	1	1	1	1	1	1	1	1
47	LTI Mode (1080i)	1	1	1	1	1	1	1	1	1	1	1	1	1
48	NR ON value1	85	85	85	85	85	85	85	85	85	85	85	85	85
49	NR ON value2	85	85	85	85	85	85	85	85	85	85	85	85	85
50	NR OFF value1	68	68	68	68	68	68	68	68	68	68	68	68	68
51	NR OFF value2	68	68	68	68	68	68	68	68	68	68	68	68	68
52	NR ON value3	170	170	170	170	170	170	170	170	170	170	170	170	170
53	NR ON value4	170	170	170	170	170	170	170	170	170	170	170	170	170

No.	Items	CIS			Europe			China		Asia			M.Asia	
		29"	32"	34"	28"	29"	32"	29"	34"	29"	32"	34"	29"	32"
54	NR OFF value3	34	34	34	34	34	34	34	34	34	34	34	34	34
55	NR OFF value4	34	34	34	34	34	34	34	34	34	34	34	34	34
56														
57	SECAM Sensitivity	28	28	28	28	28	28	28	28	28	28	28	28	28
58	Range of R Gain	32	32	32	32	32	32	32	32	32	32	32	32	32
59	Range of G Gain	32	32	32	32	32	32	32	32	32	32	32	32	32
60	Range of B Gain	32	32	32	32	32	32	32	32	32	32	32	32	32
61	Range of F/B Gain	23	23	23	23	23	23	23	23	23	23	23	23	23
62														
63	TTX V-Position	40	40	40	40	40	40	40	40	40	40	40	40	40
64	TTX H-Position	180	180	180	180	180	180	180	180	180	180	180	180	180
65														
66														
67	wide model 4:3 Normal Parabola	0	0	0	0	0	0	0	0	0	0	0	0	0
68	1080i 50HZ Trapezium	-	-	-	-	-	-	-	-	-	-	-	-	-
69	1080i 60HZ Trapezium	-	-	-	-	-	-	-	-	-	-	-	-	-
70	UP-UCG (Up Corner Semi Control)	0	0	0	0	0	0	0	0	0	0	0	0	0
71	LO-UCG (Low Corner Semi Control)	0	0	0	0	0	0	0	0	0	0	0	0	0
72	Vertical Slicing Level Threshold	15	15	15	15	15	15	15	15	15	15	15	15	15
73	Vertical Sync Lowpass-Filter	13	13	13	13	13	13	13	13	13	13	13	13	13
74	Amplifier Current Setting of Oscillator Pad	2	2	2	2	2	2	2	2	2	2	2	2	2
75	PAL	185	185	185	185	185	185	185	185	185	185	185	185	185
76	Chroma (PAL)	215	215	215	215	215	215	215	215	215	215	215	215	215

No.	Items	CIS			Europe			China		Asia			M.Asia	
		29"	32"	34"	28"	29"	32"	29"	34"	29"	32"	34"	29"	32"
77	Chroma PLL adj is ("0" Auto PLL, "0")	-	-	-	-	-	-	-	-	-	-	-	-	-
78	WSS 4:3 Panorama	-	-	-	-	-	-	-	-	-	-	-	-	-
79	NT left blank	79	79	79	79	79	79	79	79	79	79	79	79	79
80	NT Right blank	126	126	126	126	126	126	126	126	126	126	126	126	126
81	Progressive TTX V Position	-	-	-	-	-	-	-	-	-	-	-	-	-
82	Progressive TTX H-Position	-	-	-	-	-	-	-	-	-	-	-	-	-
83	Cr gain(480p)	46	46	46	46	46	46	46	46	46	46	46	46	46
84	Cb gain(480p)	35	35	35	35	35	35	35	35	35	35	35	35	35
85	Cr gain(576p)	43	43	43	43	43	43	43	43	43	43	43	43	43
86	Cr gain(576p)	30	30	30	30	30	30	30	30	30	30	30	30	30
87	Cr gain(1080i)	22	22	22	22	22	22	22	22	22	22	22	22	22
88	Cb gain(1080i)	27	27	27	27	27	27	27	27	27	27	27	27	27
89														
90	RF SubBright	124	124	124	124	124	124	124	124	124	124	124	124	124
91	TTX Sub Brightness ^{oa}	235	235	235	235	235	235	235	235	235	235	235	235	235
92	Left Blanking	101	101	101	101	101	101	101	101	101	101	101	101	101
93	Right Blanking	153	153	153	153	153	153	153	153	153	153	153	153	153
94	S - ABL	0	0	0	0	0	0	0	0	0	0	0	0	0
95	P - ABL	48	48	48	48	48	48	48	48	48	48	48	48	48
96	Picture Limit Level	3	3	3	3	3	3	3	3	3	3	3	3	3
97	OSD Level (LRGB2_LEV)	5	5	5	5	5	5	5	5	5	5	5	5	5
98	TTX Level (LRGB2_LEV)	3	3	3	3	3	3	3	3	3	3	3	3	3
99	AGCADJ1	238	238	238	238	238	238	238	238	238	238	238	238	238

No.	Items	CIS			Europe			China		Asia			M.Asia	
		29"	32"	34"	28"	29"	32"	29"	34"	29"	32"	34"	29"	32"
100	AGCADJ2	110	110	110	110	110	110	110	110	110	110	110	110	110
101	ON TIMER CH memory	1	1	1	1	1	1	1	1	1	1	1	1	1
102	Component2 OSD Brightness	10	10	10	10	10	10	10	10	10	10	10	10	10
196	TNR1	207	207	207	207	207	207	207	207	207	207	207	207	207
197	TNR2	175	175	175	175	175	175	175	175	175	175	175	175	175
198	TNR3	149	149	149	149	149	149	149	149	149	149	149	149	149
199	TNR4	127	127	127	127	127	127	127	127	127	127	127	127	127
200	TNR5	99	99	99	99	99	99	99	99	99	99	99	99	99
201	TNR6	31	31	31	31	31	31	31	31	31	31	31	31	31
202														
203														
204														
205	HPLL timing	156	156	156	156	156	156	156	156	156	156	156	156	156

2-4 Screen Change(I²C Bus Geometric Adjustment)



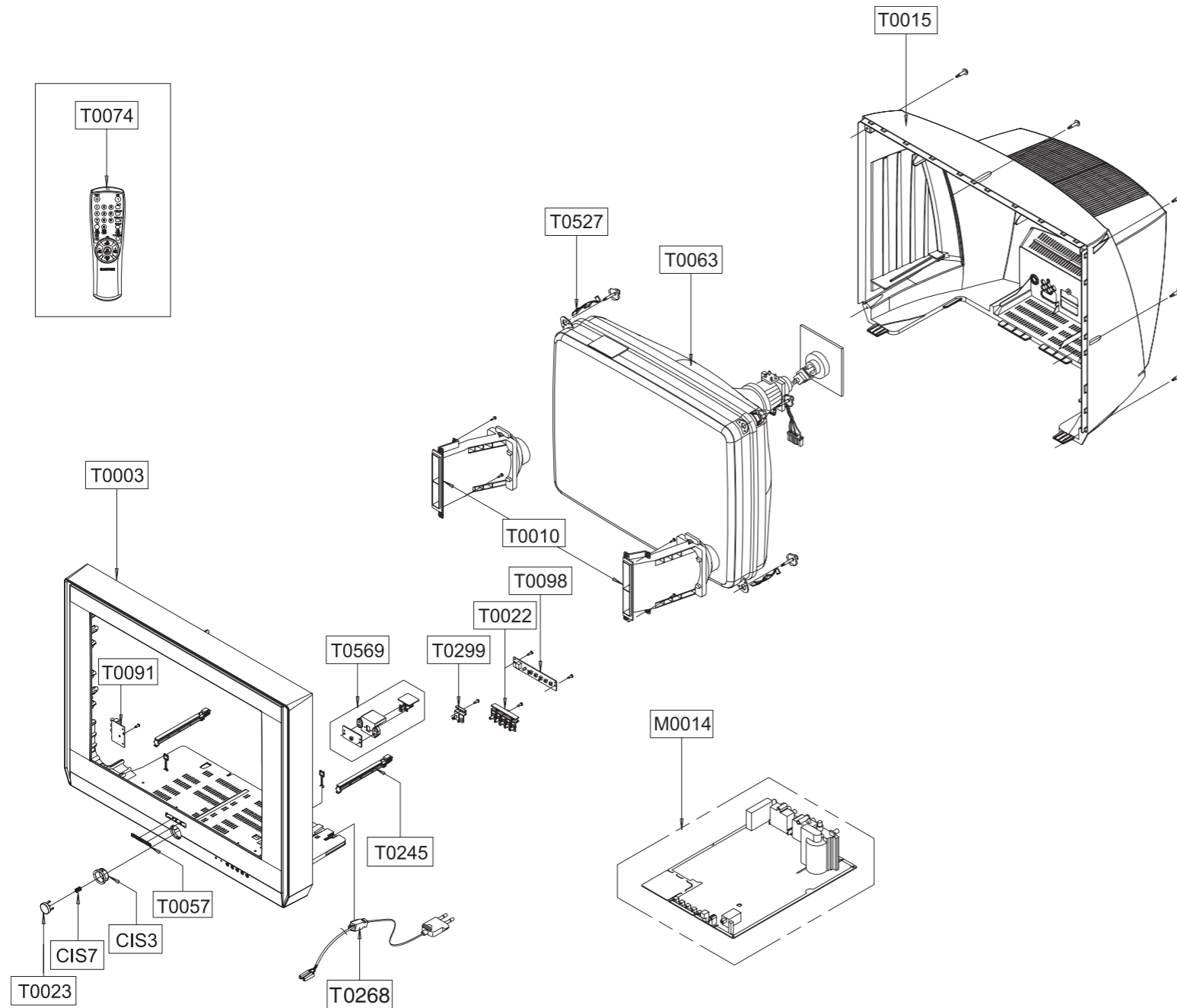
MEMO

3. Exploded View & Parts List

3-1 CS25M20SSNSKLG

You can search for the updated part code through ITSELF web site.

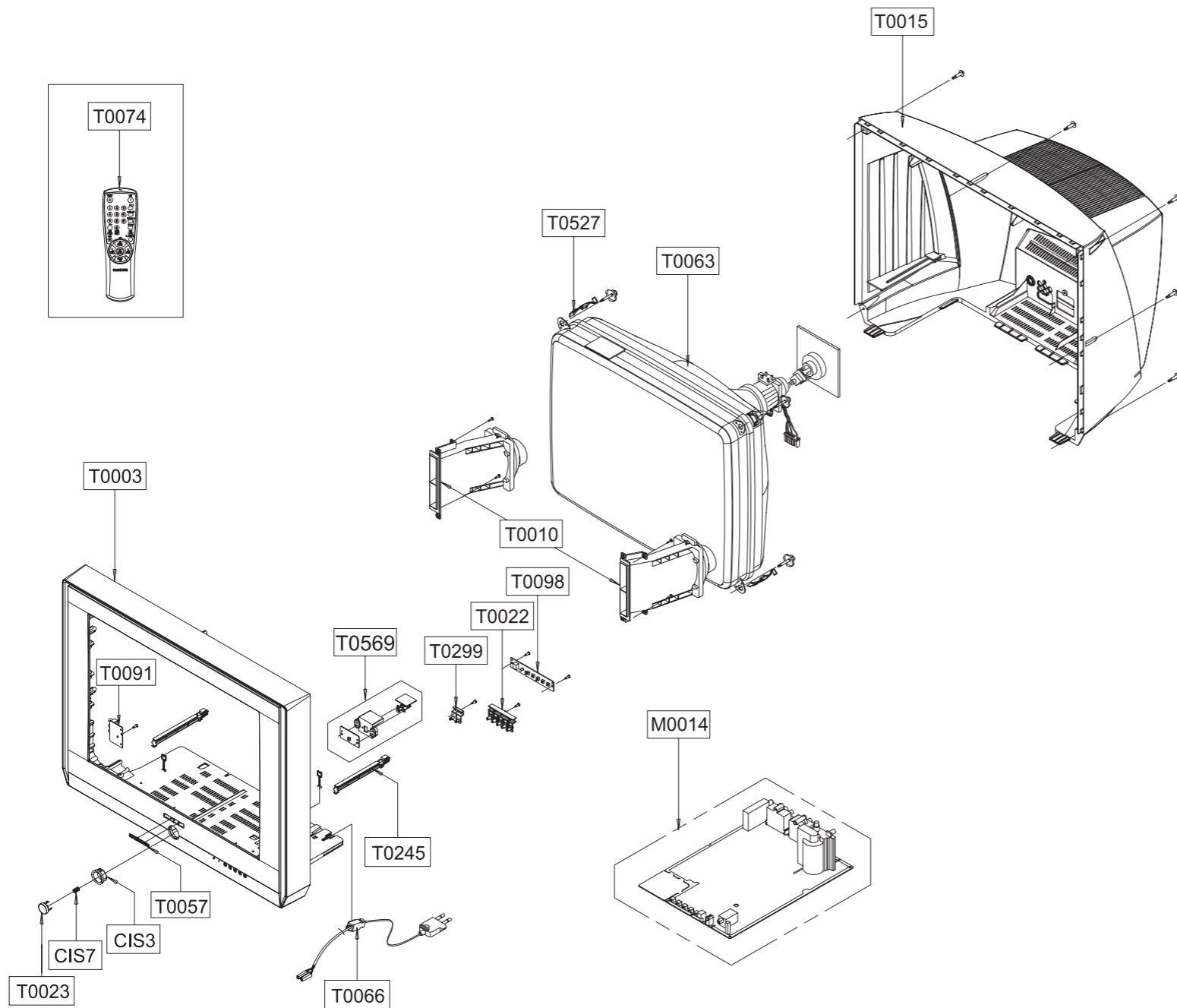
URL : <http://itself.sec.samsung.co.kr>



No.	Code No	Description;Specification	Q'ty	S.N.A
CIS3	AA64-03862A	DECORATION-POWER;29M20,ABS,HB,G3676,AL	1	S.N.A
CIS7	AA61-60003J	SPRING ETC-CS;-,-,SUS304,-,-,OD6,N7,OD6,-,	1	S.N.A
M0014	AA94-15426B	ASSY PCB MAIN;CS25M20SSNSKLG,S61A,NEGOTI	1	
T0003	AA64-03872H	CABINET FRONT;25M20,TTSEC,TSE,HIPS,HB,G4	1	S.N.A
T0015	AA64-02098D	CABINET-BACK;25M6,HIPS,V2,G4309	1	
T0022	AA64-03859A	KNOB CONTROL;29M20,ABS,HB,G3676,SVM3012	1	S.N.A
T0023	AA64-03860A	KNOB POWER;29M20,ABS,HB,G3676,SVM3012	1	S.N.A
T0057	AA64-70117B	BADGE-BRAND;AL,T1.5,10.6,L65,BLK,SILVER	1	
T0063	AA03-00356A	CRT COLOR;A59QDF891X888,380MG,0.295MH,0.	1	
T0268	AA39-10003B	CBF-POWER CORD;-,-,KJP-140,KLCE-2F,2.4m,HO	1	
T0074	AA59-00357B	REMOCON;Negotiator,TM76B,XP0,G6148,44,LN	1	
T0091	AA94-14663A	ASSY PCB MISC-A/V SIDE;25M20,S61A,NEGOTI	1	
T0098	AA94-14517A	ASSY PCB MISC-CONTROL;29M21,S61A,NEGOTIA	1	S.N.A
T0010	AA91-00507B	ASSY HOLDER SPK;DP,-,-,80HM/15W,-,-,29K1 CKD	1	
T0245	AA61-00711D	HOLDER-PCB;29U1,U2,HIPS VO,BK502(HB-PROP	2	
T0299	AA64-03861A	WINDOW-RMC LED;29M20,PC,CLEAR	1	S.N.A
T0527	AA61-01373A	HOLDER-D COIL;29K5,NYLON 66	4	S.N.A
T0569	AA94-14079B	ASSY PCB MISC-MASTER;25,29M20,KS7A,ET,CI	1	S.N.A

3-2 CS29M20SPNS/KLG

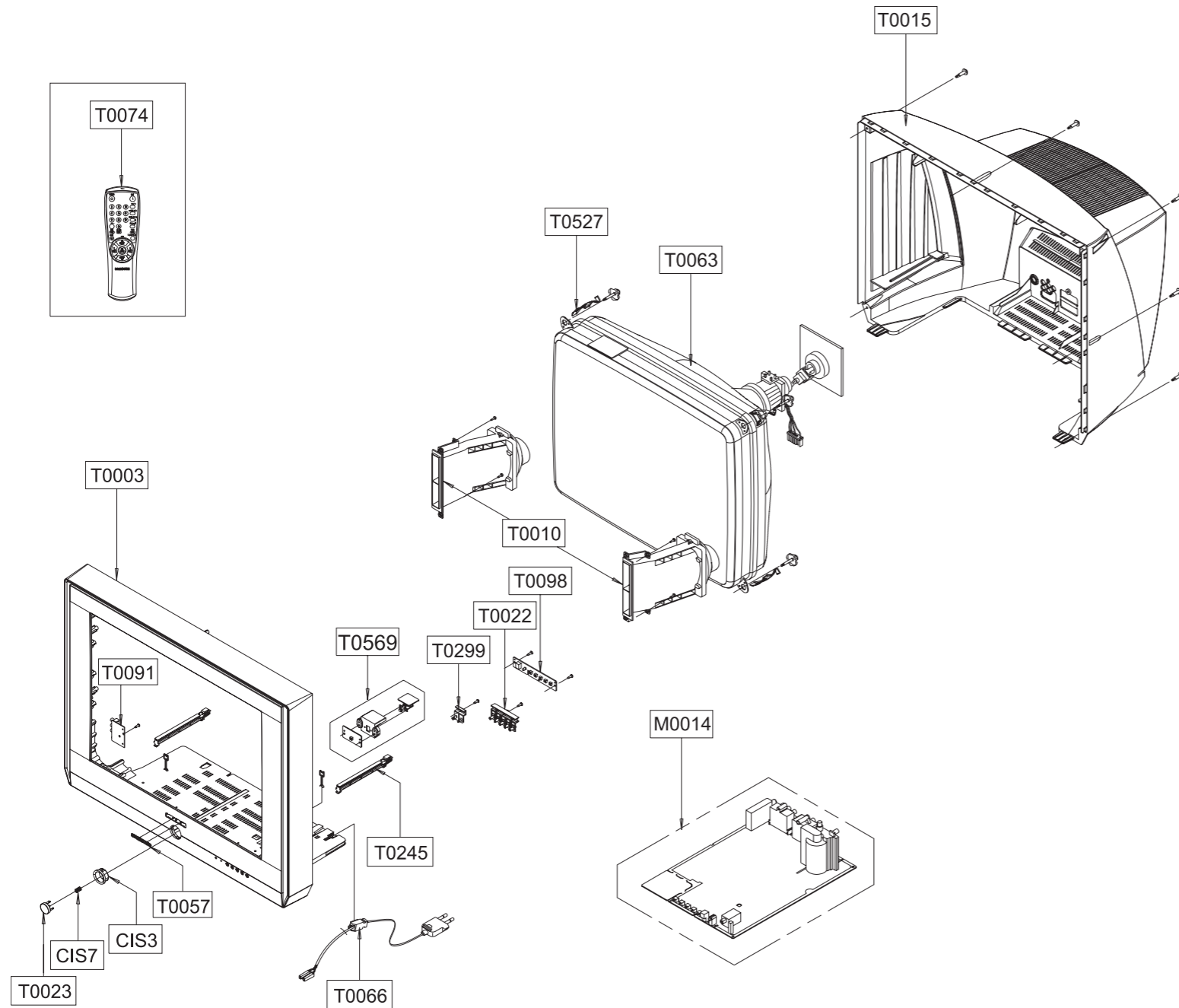
You can search for the updated part code through ITSELF web site.
 URL : <http://itself.sec.samsung.co.kr>



No.	Code No	Description;Specification	Q'ty	S.N.A
CIS3	AA64-03862A	DECORATION-POWER;29M20,ABS,HB,G3676,AL	1	S.N.A
CIS7	AA61-60003J	SPRING ETC-CS;-;SUS304,-,-,OD6,N7,OD6,-,	1	S.N.A
M0014	AA94-14160Q	ASSY PCB MAIN;CS29M20SPNSNWT,S61A,NEGOTI	1	
T0003	AA64-03858E	CABINET FRONT;29M20,HQ,TT,TSE,SEH,HIPS,H	1	S.N.A
T0015	AA64-02099D	CABINET-BACK;29M6,HIPS,V2,G4309	1	
T0022	AA64-03859A	KNOB CONTROL;29M20,ABS,HB,G3676,SVM3012	1	S.N.A
T0023	AA64-03860A	KNOB POWER;29M20,ABS,HB,G3676,SVM3012	1	S.N.A
T0057	AA64-70117B	BADGE-BRAND;,AL,T1.5,10.6,L65,BLK,SILVER	1	
T0063	AA03-10031B	CRT COLOR;A68QCP693X800,380MG,0.28MH,11.	1	
T0074	AA59-00357B	REMOCON;Negotiator, TM76B,XP0,G6148,44,LN	1	
T0091	AA94-14090A	ASSY PCB MISC-A/V SIDE;M6,M20,S61A,A/V,N	1	
T0098	AA94-14392A	ASSY PCB MISC-CONTROL;29M20,S61A,NEGOTIA	1	
T0010	AA91-00507B	ASSY HOLDER SPK;DP,-,8OHM/15W,-,29K1 CKD	1	
T0245	AA61-00711D	HOLDER-PCB;29U1,U2,HIPS VO,BK502(HB-PROP	2	
T0268	AA39-10003B	CBF-POWER CORD;-;KJP-140,KLCE-2F,2.4m,HO	1	
T0299	AA64-03861A	WINDOW-RMC LED;29M20,PC,CLEAR	1	S.N.A
T0527	AA61-01373A	HOLDER-D COIL;29K5,NYLON 66	4	S.N.A
T0569	AA94-14079B	ASSY PCB MISC-MASTER;25,29M20,KS7A,ET,CI	1	S.N.A

3-3 CS29M20SSNSKLG

You can search for the updated part code through ITSELF web site.
 URL : <http://itself.sec.samsung.co.kr>



No.	Code No	Description;Specification	Q'ty	S.N.A
CIS3	AA64-03862A	DECORATION-POWER;29M20,ABS,HB,G3676,AL	1	S.N.A
CIS7	AA61-60003J	SPRING ETC-CS;-SUS304,-,-,OD6,N7,OD6,-,	1	S.N.A
M0014	AA94-15426A	ASSY PCB MAIN;CS29M20SSNSKLG,S61A,NEGOTI	1	
T0003	AA64-03858E	CABINET FRONT;29M20,HQ,TT,TSE,SEH,HIPS,H	1	S.N.A
T0015	AA64-02099D	CABINET-BACK;29M6,HIPS,V2,G4309	1	
T0022	AA64-03859A	KNOB CONTROL;29M20,ABS,HB,G3676,SVM3012	1	S.N.A
T0023	AA64-03860A	KNOB POWER;29M20,ABS,HB,G3676,SVM3012	1	S.N.A
T0057	AA64-70117B	BADGE-BRAND;;AL,T1.5,10.6,L65,BLK,SILVER	1	
T0063	AA03-10031B	CRT COLOR;A68QCP693X800,380MG,0.28MH,11.	1	
T0074	AA59-00357B	REMOCON;Negotiator,TM76B,XP0,G6148,44,LN	1	
T0091	AA94-14090A	ASSY PCB MISC-A/V SIDE;M6,M20,S61A,A/V,N	1	
T0098	AA94-14392A	ASSY PCB MISC-CONTROL;29M20,S61A,NEGOTIA	1	
T0010	AA91-00507B	ASSY HOLDER SPK;DP,-,8OHM/15W,-,29K1 CKD	1	
T0245	AA61-00711D	HOLDER-PCB;29U1,U2,HIPS VO,BK502(HB-PROP	2	
T0268	AA39-10003B	CBF-POWER CORD;-KJP-140,KLCE-2F,2.4m,HO	1	
T0299	AA64-03861A	WINDOW-RMC LED;29M20,PC,CLEAR	1	S.N.A
T0527	AA61-01373A	HOLDER-D COIL;29K5,NYLON 66	4	S.N.A
T0569	AA94-14079B	ASSY PCB MISC-MASTER;25,29M20,KS7A,ET,CI	1	S.N.A

You can search for the updated part code through ITSELF web site.
URL : http://itself.sec.samsung.co.kr

4. Electrical Parts List

4-1 CS25M20SSNSKLG

Level	Loc. No.	Code No.	Description ; Specification	Remark	Level	Loc. No.	Code No.	Description ; Specification	Remark
-------	----------	----------	-----------------------------	--------	-------	----------	----------	-----------------------------	--------

ASSY COVER FRONT

1	M0001	AA90-05361J	ASSY COVER FRONT;CS25M20SSNSKLG	S.N.A
..2	T0081	6002-000522	SCREW-TAPPING;TH,+,2,M4,L15,ZPC(BLK),SWR	S.N.A
..2	M0081	6003-001019	SCREW-TAPTITE;RH,+,B,M4,L12,ZPC(BLK),SWR	S.N.A
..2	M0081	6003-001026	SCREW-TAPTITE;RH,+,B,M4,L15,ZPC(BLK),SWR	S.N.A
..2	M0081	6003-001268	SCREW-TAPTITE;TH,+,B,M4,L12,ZPC(YEL),SWR	S.N.A
..2	M0081	6003-001268	SCREW-TAPTITE;TH,+,B,M4,L12,ZPC(YEL),SWR	S.N.A
..2	M0081	AA60-10002A	SCREW-TAPTITE,-,ZPC(YEL),M4,L12,RH,+,-,-	S.N.A
..2	T0081	AA60-10050T	SCREW-TAPPING,-,SWRCH18A,M4,L20,RH,+,2S,	S.N.A
..2	CRT+CFAA60-10050V	BOLT-HEX,-,SWRCH18A,M6,L30,HH,+,WC,-,Z	S.N.A	△
..2	T0569	AA61-00813B	SUPPORT-CRT;25M6,29M6,HIPS,HB,NATURL	S.N.A
..2	CCM1	AA61-01408A	BRACKET-CRATER;25K10,STS304,T0.5	S.N.A
..2	T0609	AA63-60004G	SPACER-GUM,CRT,-,NTR RUBBER,-,-,-,GRY,T3	S.N.A
..2	T0022	AA64-04070A	KNOB CONTROL;DP,M20,AA64-03859A	S.N.A
..3	M0081	6902-000611	BAG ROLL;PE FOAM,T1.0,-,-,-,-,-	S.N.A
..3		AA61-01109E	CASE-PP BOX,-,PP,295,295,32	S.N.A
..3	T0022	AA64-03859A	KNOB CONTROL;29M20,ABS,HB,G3676,SVM3012	S.N.A
..2	T0010	AA91-00507B	ASSY HOLDER SPK;DP,-,8OHM/15W,-,29K1 CKD	S.N.A
..2	T0003	AA96-02271B	ASSY COVER P-FRONT;DP;25M20,TTSEC,TSE,HI	S.N.A
..3	M0081	6003-001019	SCREW-TAPTITE;RH,+,B,M4,L12,ZPC(BLK),SWR	S.N.A
..3	T0524	6902-000583	BAG PE;HDPE/NITRON(DOUBLE),T0.015/T0.8,W	S.N.A
..3	T0069	AA60-00091G	SPACER-FELT,-,FELT,200X10,-,-,BLK,T0.5,-	S.N.A
..3	T0069	AA60-00091R	SPACER-FELT,-,FELT,250X10,-,-,BLK,T0.5,-	S.N.A
..3	T0245	AA61-00711D	HOLDER-PCB;29J1,U2,HIPS VO,BK502(HB-PROP	S.N.A
..3	CIS7	AA61-60003J	SPRING ETC-CS,-,SUS304,-,-,OD6,N7,OD6,-	S.N.A
..3	T0023	AA64-03860A	KNOB POWER;29M20,ABS,HB,G3676,SVM3012	S.N.A
..3	T0299	AA64-03861A	WINDOW-RMC LED;29M20,PC,CLEAR	S.N.A
..3	CIS3	AA64-03862A	DECORATION-POWER;29M20,ABS,HB,G3676,AL	S.N.A
..3	T0003	AA64-03872H	CABINET FRONT;25M20,TTSEC,TSE,HIPS,HB,G4	S.N.A
..3	T0578	AA64-04057D	INLAY AV;25M20,PS,T0.5,SHEET	S.N.A
..3	T0057	AA64-70117B	BADGE-BRAND,-,AL,T1.5,10.6,L65,BLK,SILVER	S.N.A
..3	CIS1	AA65-00011C	CLAMPER CORE-WIRE;ALL MODEL,NYLON 66,V2,S.N.A	S.N.A
..3	CIS1	AA65-30105A	CLAMPER CORE-WIRE;ALL MODEL,NYLON 66,V2,S.N.A	S.N.A
..3	T0382	BP61-00509C	HOLDER-CARE;PJT,ACRYL-FOAM,T0.25,W20.0m	S.N.A
..2	T0382	BP61-00495C	HOLDER-CARE;PJT,ACRYL-FOAM,T0.25,W30.0m	S.N.A

ASSY COVER REAR

1	M0002	AA90-05372A	ASSY COVER REAR;CS25M20SSNSKLG	S.N.A
..2	T0069	AA60-00091J	SPACER-FELT,-,FELT,330X10,-,-,BLK,T0.5,-	S.N.A
..2	T0069	AA60-00091P	SPACER-FELT,-,FELT,500X10,BLK,T0.5	S.N.A
..2	T0066	AA64-00894M	INLAY-BACK;K55A,PS,T0.3,SHEET,BLK,SCART(S.N.A
..2	T0015	AA64-02572C	CABINET BACK;DP,25M6,V2,AA64-02098D	S.N.A
..3	M0081	6902-000611	BAG ROLL;PE FOAM,T1.0,-,-,-,-,-	S.N.A
..3	T0015	AA64-02098D	CABINET-BACK;25M6,HIPS,V2,G4309	S.N.A
..2	T0522	AA65-30008A	CLAMPER CORE-CORD,-,PE,HB,-,BLK,-	S.N.A

ASSY CPT

1	T0521	AA91-08255G	ASSY CPT;25 FLAT,CIS,+380MG,A59QDF891X8	S.N.A
..2	T0089	AA27-00261A	COIL DEGAUSSING;-;25INCH F,10%,25TS,4.5OH	S.N.A
..2	T0527	AA61-01373A	HOLDER-D COIL;-;29K5,NYLON 66	S.N.A
..2	T0527	AA65-30017A	CLAMPER CORE-D,COIL,-,NYLON-66,V0,-,NTR,	S.N.A
..2	T0521	AA91-05157A	ASSY CPT;59QDF891X888,+380MG,25 25M6 10	S.N.A
△..3	T0063	AA03-00356A	CRT COLOR;A59QDF891X888,380MG,G,0.295MH,0.	S.N.A
..2	T0603	AA98-70008B	ASSY TBC WIRE P;TVI,25,NTSC,2P,UL1015#22	S.N.A

ASSY CHASSIS

1	M0017	AA91-09369B	ASSY CHASSIS;CS25M20SSNSKLG,NEGOTIATOR,S,N.A	S.N.A
..2		AA91-08381F	ASSY MISC-CHASSISPACK;CS25M20SSNSKLG,S	S.N.A
..3	T0099	AA94-14660A	ASSY PCB MISC-CRT;25,S61A,NEGOTIATOR	S.N.A
..4	T0245	0202-001366	SOLDER-WIRE FLUX;-;RS60S,D1.2,63Sn/37Pb,	S.N.A
..4	C517	2201-000173	C-CERAMIC,DISC;10NF,10%,500V,Y5P,BK,16X4	S.N.A
..4	C521	2201-000173	C-CERAMIC,DISC;10NF,10%,500V,Y5P,BK,16X4	S.N.A
..4	C522	2201-002117	C-CERAMIC,DISC;4.7nF,20%,3kV,Y5U,TP,16x6	S.N.A
..4	V999S	3704-001197	SOCKET-CRT;8P+SEN,29P1,22.5P1,NI+SN,-	S.N.A
..4	CN906	3711-003051	CONNECTOR-HEADER;BOX,8P,1R,2.5MM,STRAIGH	S.N.A
..4	CN906	3711-003974	CONNECTOR-HEADER;BOX,12P,1R,2.5mm,STRAIG	S.N.A
..4	IC063	AA13-00111A	IC HYBRID;STK396-130,WT-32A20HD,12,105C,	S.N.A
..4	T0245	AA39-00088A	LEAD CONNECTOR-ASSY;HERCULES,UL 1007/1185	S.N.A
..4	T0245	AA39-00127A	LEAD CONNECTOR-ASSY;8P,400MM,35155-0800	S.N.A
..4	T0245	AA39-20010B	LEAD CONNECTOR-ASSY;-;1P,500,YFH800-01,S,	S.N.A
..4	T0603	AA63-10002A	BAND-TIE;NYLON66 V2,L100,NTR	S.N.A
..4	IC501	AA96-50311L	ASSY HEAT SINK P,-;AMP,AA62-30175D ,TDA	S.N.A
..4	IC502	AA96-50311L	ASSY HEAT SINK P,-;AMP,AA62-30175D ,TDA	S.N.A
..4	IC503	AA96-50311L	ASSY HEAT SINK P,-;AMP,AA62-30175D ,TDA	S.N.A
..5	T0074	1201-001131	IC-VIDEO AMP;6111,SIP,9P,-,SINGLE,-,PLAS	S.N.A
..5	M0081	6003-000334	SCREW-TAPTITE;RH,+,2S,M3,L6,ZPC(YEL),SWR	S.N.A
..5	T0175	AA62-30175D	HEAT SINK-PS;-;SECC,T1.0,-,33X15X30 FT-2	S.N.A
..4	T0100	AA97-15407A	ASSY AUTO-CRT;25,S61A,NEGOTIATOR	S.N.A
..5	D501	0401-000005	DIODE-SWITCHING;1N4148,75V,150MA,DO-35,T	S.N.A
..5	D504	0402-000132	DIODE-RECTIFIER;1N4004,400V,1A,DO-41,TP	S.N.A
..5	D502	0402-000493	DIODE-RECTIFIER;1R5G41,400V,1.5A,DO-15L	S.N.A
..5	D509	0402-000546	DIODE-RECTIFIER;TVR10G,400V,1.0A,DO-41,T	S.N.A
..5	D510	0402-000546	DIODE-RECTIFIER;TVR10G,400V,1.0A,DO-41,T	S.N.A
..5	D511	0402-000546	DIODE-RECTIFIER;TVR10G,400V,1.0A,DO-41,T	S.N.A
..5	D512	0402-000546	DIODE-RECTIFIER;TVR10G,400V,1.0A,DO-41,T	S.N.A
..5	D513	0402-000546	DIODE-RECTIFIER;TVR10G,400V,1.0A,DO-41,T	S.N.A
..5	D514	0402-000546	DIODE-RECTIFIER;TVR10G,400V,1.0A,DO-41,T	S.N.A
..5	DF08	0402-000546	DIODE-RECTIFIER;TVR10G,400V,1.0A,DO-41,T	S.N.A
..5	DZ503	0403-000508	DIODE-ZENER;MTZJ5 6B,5.45-5.73V,500MW,DO	S.N.A
..5	Q501	0501-000283	TR-SMALL SIGNAL;KSA539,PNP,400mW,TO-92,T	S.N.A
..5	Q502	0501-000283	TR-SMALL SIGNAL;KSA539,PNP,400mW,TO-92,T	S.N.A
..5	Q503	0501-000283	TR-SMALL SIGNAL;KSA539,PNP,400mW,TO-92,T	S.N.A
..5	Q504	0501-000283	TR-SMALL SIGNAL;KSA539,PNP,400mW,TO-92,T	S.N.A
..5	Q505	0501-000389	TR-SMALL SIGNAL;KSC815,NPN,400mW,TO-92,T	S.N.A
..5	IC506	0502-000006	TR-POWER;KSC1507,NPN,15W,TO-220,TP,120-	S.N.A
..5	R531	2001-000009	R-CARBON;20KOHM,5%,1/8W,AA,TP,1.8X3.2MM	S.N.A
..5	R533	2001-000066	R-CARBON(S);10KOHM,5%,1/2W,AA,TP,2.4X6.4	S.N.A
..5	R536	2001-000085	R-CARBON(S);100KOHM,5%,1/2W,AA,TP,2.4X6.	S.N.A
..5	R501	2001-000241	R-CARBON;1.5KOHM,5%,1/8W,AA,TP,1.8X3.2MM	S.N.A
..5	R502	2001-000241	R-CARBON;1.5KOHM,5%,1/8W,AA,TP,1.8X3.2MM	S.N.A
..5	R527	2001-000241	R-CARBON;1.5KOHM,5%,1/8W,AA,TP,1.8X3.2MM	S.N.A
..5	R530	2001-000273	R-CARBON;100KOHM,5%,1/8W,AA,TP,1.8X3.2MM	S.N.A
..5	R522	2001-000290	R-CARBON;10KOHM,5%,1/8W,AA,TP,1.8X3.2MM	S.N.A
..5	R519	2001-000397	R-CARBON;180KOHM,5%,1/8W,AA,TP,1.8X3.2MM	S.N.A
..5	R540	2001-000429	R-CARBON;1KOHM,5%,1/8W,AA,TP,1.8X3.2MM	S.N.A
..5	R554	2001-000429	R-CARBON;1KOHM,5%,1/8W,AA,TP,1.8X3.2MM	S.N.A
..5	R555	2001-000429	R-CARBON;1KOHM,5%,1/8W,AA,TP,1.8X3.2MM	S.N.A
..5	R556	2001-000429	R-CARBON;1KOHM,5%,1/8W,AA,TP,1.8X3.2MM	S.N.A
..5	R507	2001-000472	R-CARBON;2.7KOHM,5%,1/8W,AA,TP,1.8X3.2MM	S.N.A
..5	R520	2001-000563	R-CARBON;27KOHM,5%,1/8W,AA,TP,1.8X3.2MM	S.N.A
..5	R523	2001-000890	R-CARBON;6.8KOHM,5%,1/8W,AA,TP,1.8X3.2MM	S.N.A
..5	R508	2001-000995	R-CARBON;820OHM,5%,1/8W,AA,TP,1.8X3.2MM	S.N.A
..5	R504	2001-001045	R-CARBON(S);1.2KOHM,5%,1/2W,AA,TP,2.4X6.	S.N.A
..5	R505	2001-001045	R-CARBON(S);1.2KOHM,5%,1/2W,AA,TP,2.4X6.	S.N.A
..5	R538	2001-001062	R-CARBON(S);10MOHM,5%,1/2W,AA,TP,2.4X6.4	S.N.A
..5	R535	2001-001103	R-CARBON(S);20KOHM,5%,1/2W,AA,TP,2.4X6.4	S.N.A

Loc. No.	Code No.	Description ; Specification	Remark	Loc. No.	Code No.	Description ; Specification	Remark
.....6DQ02	0501-000280	TR-SMALL SIGNAL;KSA1182,PNP,150mW,SOT-23	6ER19	2007-000074	R-CHIP;100ohm,5%,1/10W,TP,1608	
.....6DQ03	0501-000280	TR-SMALL SIGNAL;KSA1182,PNP,150mW,SOT-23	6ER20	2007-000074	R-CHIP;100ohm,5%,1/10W,TP,1608	
.....6DQ04	0501-000280	TR-SMALL SIGNAL;KSA1182,PNP,150mW,SOT-23	6ER23	2007-000074	R-CHIP;100ohm,5%,1/10W,TP,1608	
.....6DQ05	0501-000280	TR-SMALL SIGNAL;KSA1182,PNP,150mW,SOT-23	6ER24	2007-000074	R-CHIP;100ohm,5%,1/10W,TP,1608	
.....6DQ10	0501-000280	TR-SMALL SIGNAL;KSA1182,PNP,150mW,SOT-23	6ER35	2007-000074	R-CHIP;100ohm,5%,1/10W,TP,1608	
.....6EQ02	0501-000280	TR-SMALL SIGNAL;KSA1182,PNP,150mW,SOT-23	6ER36	2007-000074	R-CHIP;100ohm,5%,1/10W,TP,1608	
.....6DQ01	0501-000344	TR-SMALL SIGNAL;KSC1623-G,NPN,200mW,SOT-	6ER37	2007-000074	R-CHIP;100ohm,5%,1/10W,TP,1608	
.....6DQ06	0501-000344	TR-SMALL SIGNAL;KSC1623-G,NPN,200mW,SOT-	6ER40	2007-000074	R-CHIP;100ohm,5%,1/10W,TP,1608	
.....6DQ07	0501-000344	TR-SMALL SIGNAL;KSC1623-G,NPN,200mW,SOT-	6R905	2007-000074	R-CHIP;100ohm,5%,1/10W,TP,1608	
.....6DQ08	0501-000344	TR-SMALL SIGNAL;KSC1623-G,NPN,200mW,SOT-	6R940	2007-000074	R-CHIP;100ohm,5%,1/10W,TP,1608	
.....6DQ11	0501-000344	TR-SMALL SIGNAL;KSC1623-G,NPN,200mW,SOT-	6R941	2007-000074	R-CHIP;100ohm,5%,1/10W,TP,1608	
.....6EQ01	0501-000344	TR-SMALL SIGNAL;KSC1623-G,NPN,200mW,SOT-	6R942	2007-000074	R-CHIP;100ohm,5%,1/10W,TP,1608	
.....6EQ03	0501-000344	TR-SMALL SIGNAL;KSC1623-G,NPN,200mW,SOT-	6R947	2007-000074	R-CHIP;100ohm,5%,1/10W,TP,1608	
.....6EQ06	0501-000344	TR-SMALL SIGNAL;KSC1623-G,NPN,200mW,SOT-	6R948	2007-000074	R-CHIP;100ohm,5%,1/10W,TP,1608	
.....6Q901	0501-000344	TR-SMALL SIGNAL;KSC1623-G,NPN,200mW,SOT-	6R951	2007-000074	R-CHIP;100ohm,5%,1/10W,TP,1608	
.....6Q906	0501-000344	TR-SMALL SIGNAL;KSC1623-G,NPN,200mW,SOT-	6R962	2007-000074	R-CHIP;100ohm,5%,1/10W,TP,1608	
.....6Q907	0501-000344	TR-SMALL SIGNAL;KSC1623-G,NPN,200mW,SOT-	6RM01	2007-000074	R-CHIP;100ohm,5%,1/10W,TP,1608	
.....6Q908	0501-000344	TR-SMALL SIGNAL;KSC1623-G,NPN,200mW,SOT-	6SR35	2007-000074	R-CHIP;100ohm,5%,1/10W,TP,1608	
.....6DQ09	0501-000727	TR-SMALL SIGNAL;BC848C,NPN,310mW,SOT-23,	6DR25	2007-000077	R-CHIP;470ohm,5%,1/10W,TP,1608	
.....6Q409	0505-001679	FET-SILICON;FDC6301N,N,25V,0.22A,50HM,0.	6ER07	2007-000077	R-CHIP;470ohm,5%,1/10W,TP,1608	
.....6IC104	0801-000662	IC-CMOS LOGIC;74HC123,MULTIVIBRATOR,SOP,1	6R910	2007-000077	R-CHIP;470ohm,5%,1/10W,TP,1608	
.....6IC06	1203-001211	IC-VOL. DETECTOR;7027,SOT-89,3P,-,PLASTI	6R919	2007-000077	R-CHIP;470ohm,5%,1/10W,TP,1608	
.....6ICM04	1203-001814	IC-VOL. DETECTOR;7025,SOT-89,4P,98MIL,PL	6R920	2007-000077	R-CHIP;470ohm,5%,1/10W,TP,1608	
.....6T0087	1203-002186	IC-POS.FIXED REG.;18,DPAK,3P,240MIL,PLA	6SR37	2007-000077	R-CHIP;470ohm,5%,1/10W,TP,1608	
.....6T0087	1203-002302	IC-POS.FIXED REG.;78RM33D,D-PAK,3P,-,PL	6DR43	2007-000078	R-CHIP;1Kohm,5%,1/10W,TP,1608	
.....6ICM01	1204-001912	IC-DECODER;SDA5550M,P-MQFP,100P,-,PLASTI	6DR44	2007-000078	R-CHIP;1Kohm,5%,1/10W,TP,1608	
.....6IC01	1204-001948	IC-VIDEO DECODER;VSP9402A,MQFP,80P,14X14	6DR45	2007-000078	R-CHIP;1Kohm,5%,1/10W,TP,1608	
.....6IC118	1204-001989	IC-VIDEO PROCESS;CXA2165Q,QFP,64P,20X14M	6DR46	2007-000078	R-CHIP;1Kohm,5%,1/10W,TP,1608	
.....6DR23	2007-000052	R-CHIP;10Kohm,1%,1/10W,TP,1608	6ER38	2007-000078	R-CHIP;1Kohm,5%,1/10W,TP,1608	
.....6DR07	2007-000070	R-CHIP;0ohm,5%,1/10W,TP,1608	6ER46	2007-000078	R-CHIP;1Kohm,5%,1/10W,TP,1608	
.....6DR68	2007-000070	R-CHIP;0ohm,5%,1/10W,TP,1608	6R902	2007-000078	R-CHIP;1Kohm,5%,1/10W,TP,1608	
.....6DR69	2007-000070	R-CHIP;0ohm,5%,1/10W,TP,1608	6R916	2007-000078	R-CHIP;1Kohm,5%,1/10W,TP,1608	
.....6DR70	2007-000070	R-CHIP;0ohm,5%,1/10W,TP,1608	6R921	2007-000078	R-CHIP;1Kohm,5%,1/10W,TP,1608	
.....6DR89	2007-000070	R-CHIP;0ohm,5%,1/10W,TP,1608	6R955	2007-000078	R-CHIP;1Kohm,5%,1/10W,TP,1608	
.....6ER14	2007-000070	R-CHIP;0ohm,5%,1/10W,TP,1608	6RM07	2007-000078	R-CHIP;1Kohm,5%,1/10W,TP,1608	
.....6ER41	2007-000070	R-CHIP;0ohm,5%,1/10W,TP,1608	6DR86	2007-000080	R-CHIP;2Kohm,5%,1/10W,TP,1608	
.....6R963	2007-000070	R-CHIP;0ohm,5%,1/10W,TP,1608	6DR87	2007-000080	R-CHIP;2Kohm,5%,1/10W,TP,1608	
.....6RM02	2007-000070	R-CHIP;0ohm,5%,1/10W,TP,1608	6R936	2007-000080	R-CHIP;2Kohm,5%,1/10W,TP,1608	
.....6RM04	2007-000070	R-CHIP;0ohm,5%,1/10W,TP,1608	6DR32	2007-000081	R-CHIP;2.7Kohm,5%,1/10W,TP,1608	
.....6SR39	2007-000070	R-CHIP;0ohm,5%,1/10W,TP,1608	6DR33	2007-000082	R-CHIP;3.3Kohm,5%,1/10W,TP,1608	
.....6SR40	2007-000070	R-CHIP;0ohm,5%,1/10W,TP,1608	6DR34	2007-000084	R-CHIP;4.7Kohm,5%,1/10W,TP,1608	
.....6SR41	2007-000070	R-CHIP;0ohm,5%,1/10W,TP,1608	6DR37	2007-000084	R-CHIP;4.7Kohm,5%,1/10W,TP,1608	
.....6SR42	2007-000070	R-CHIP;0ohm,5%,1/10W,TP,1608	6DR63	2007-000084	R-CHIP;4.7Kohm,5%,1/10W,TP,1608	
.....6SR43	2007-000070	R-CHIP;0ohm,5%,1/10W,TP,1608	6R901	2007-000084	R-CHIP;4.7Kohm,5%,1/10W,TP,1608	
.....6DR40	2007-000072	R-CHIP;47ohm,5%,1/10W,TP,1608	6R903	2007-000084	R-CHIP;4.7Kohm,5%,1/10W,TP,1608	
.....6DR41	2007-000072	R-CHIP;47ohm,5%,1/10W,TP,1608	6R904	2007-000084	R-CHIP;4.7Kohm,5%,1/10W,TP,1608	
.....6R926	2007-000072	R-CHIP;47ohm,5%,1/10W,TP,1608	6R906	2007-000084	R-CHIP;4.7Kohm,5%,1/10W,TP,1608	
.....6DR03	2007-000074	R-CHIP;100ohm,5%,1/10W,TP,1608	6R908	2007-000084	R-CHIP;4.7Kohm,5%,1/10W,TP,1608	
.....6DR04	2007-000074	R-CHIP;100ohm,5%,1/10W,TP,1608	6R924	2007-000084	R-CHIP;4.7Kohm,5%,1/10W,TP,1608	
.....6DR05	2007-000074	R-CHIP;100ohm,5%,1/10W,TP,1608	6R927	2007-000084	R-CHIP;4.7Kohm,5%,1/10W,TP,1608	
.....6DR06	2007-000074	R-CHIP;100ohm,5%,1/10W,TP,1608	6R928	2007-000084	R-CHIP;4.7Kohm,5%,1/10W,TP,1608	
.....6DR09	2007-000074	R-CHIP;100ohm,5%,1/10W,TP,1608	6R938	2007-000084	R-CHIP;4.7Kohm,5%,1/10W,TP,1608	
.....6DR10	2007-000074	R-CHIP;100ohm,5%,1/10W,TP,1608	6R954	2007-000084	R-CHIP;4.7Kohm,5%,1/10W,TP,1608	
.....6DR11	2007-000074	R-CHIP;100ohm,5%,1/10W,TP,1608	6R957	2007-000084	R-CHIP;4.7Kohm,5%,1/10W,TP,1608	
.....6DR16	2007-000074	R-CHIP;100ohm,5%,1/10W,TP,1608	6DR13	2007-000086	R-CHIP;5.6Kohm,5%,1/10W,TP,1608	
.....6DR17	2007-000074	R-CHIP;100ohm,5%,1/10W,TP,1608	6DR14	2007-000086	R-CHIP;5.6Kohm,5%,1/10W,TP,1608	
.....6DR18	2007-000074	R-CHIP;100ohm,5%,1/10W,TP,1608	6DR66	2007-000088	R-CHIP;7.5Kohm,5%,1/10W,TP,1608	
.....6DR19	2007-000074	R-CHIP;100ohm,5%,1/10W,TP,1608	6R913	2007-000088	R-CHIP;7.5Kohm,5%,1/10W,TP,1608	
.....6DR21	2007-000074	R-CHIP;100ohm,5%,1/10W,TP,1608	6DR47	2007-000090	R-CHIP;10Kohm,5%,1/10W,TP,1608	
.....6DR30	2007-000074	R-CHIP;100ohm,5%,1/10W,TP,1608	6DR61	2007-000090	R-CHIP;10Kohm,5%,1/10W,TP,1608	
.....6DR35	2007-000074	R-CHIP;100ohm,5%,1/10W,TP,1608	6DR62	2007-000090	R-CHIP;10Kohm,5%,1/10W,TP,1608	
.....6DR36	2007-000074	R-CHIP;100ohm,5%,1/10W,TP,1608	6DR64	2007-000090	R-CHIP;10Kohm,5%,1/10W,TP,1608	
.....6DR49	2007-000074	R-CHIP;100ohm,5%,1/10W,TP,1608	6DR80	2007-000090	R-CHIP;10Kohm,5%,1/10W,TP,1608	
.....6DR50	2007-000074	R-CHIP;100ohm,5%,1/10W,TP,1608	6ER09	2007-000090	R-CHIP;10Kohm,5%,1/10W,TP,1608	
.....6DR51	2007-000074	R-CHIP;100ohm,5%,1/10W,TP,1608	6R912	2007-000090	R-CHIP;10Kohm,5%,1/10W,TP,1608	
.....6DR55	2007-000074	R-CHIP;100ohm,5%,1/10W,TP,1608	6R932	2007-000090	R-CHIP;10Kohm,5%,1/10W,TP,1608	
.....6DR59	2007-000074	R-CHIP;100ohm,5%,1/10W,TP,1608	6R935	2007-000090	R-CHIP;10Kohm,5%,1/10W,TP,1608	
.....6DR60	2007-000074	R-CHIP;100ohm,5%,1/10W,TP,1608	6R949	2007-000090	R-CHIP;10Kohm,5%,1/10W,TP,1608	
.....6DR65	2007-000074	R-CHIP;100ohm,5%,1/10W,TP,1608	6R956	2007-000090	R-CHIP;10Kohm,5%,1/10W,TP,1608	
.....6DR88	2007-000074	R-CHIP;100ohm,5%,1/10W,TP,1608	6R964	2007-000090	R-CHIP;10Kohm,5%,1/10W,TP,1608	
.....6ER01	2007-000074	R-CHIP;100ohm,5%,1/10W,TP,1608	6R965	2007-000090	R-CHIP;10Kohm,5%,1/10W,TP,1608	
.....6ER02	2007-000074	R-CHIP;100ohm,5%,1/10W,TP,1608	6RM03	2007-000090	R-CHIP;10Kohm,5%,1/10W,TP,1608	
.....6ER03	2007-000074	R-CHIP;100ohm,5%,1/10W,TP,1608	6DR24	2007-000092	R-CHIP;15Kohm,5%,1/10W,TP,1608	
.....6ER04	2007-000074	R-CHIP;100ohm,5%,1/10W,TP,1608	6ER08	2007-000093	R-CHIP;20Kohm,5%,1/10W,TP,1608	
.....6ER05	2007-000074	R-CHIP;100ohm,5%,1/10W,TP,1608	6DR82	2007-000094	R-CHIP;22Kohm,5%,1/10W,TP,1608	
.....6ER13	2007-000074	R-CHIP;100ohm,5%,1/10W,TP,1608	6R953	2007-000094	R-CHIP;22Kohm,5%,1/10W,TP,1608	
.....6ER16	2007-000074	R-CHIP;100ohm,5%,1/10W,TP,1608	6DR81	2007-000097	R-CHIP;47Kohm,5%,1/10W,TP,1608	

Loc. No.	Code No.	Description ; Specification	Remark	Loc. No.	Code No.	Description ; Specification	Remark
.....5	C628	2202-000231	C-CERAMIC,MLC-AXIAL;0.33NF,10%,50V,Y5P,T5	C642	2401-001998	C-AL;1000uF,20%,25V,GP,TP,10x20,5mm
.....5	C629	2202-000231	C-CERAMIC,MLC-AXIAL;0.33NF,10%,50V,Y5P,T5	C611	2401-002075	C-AL;4.7uF,20%,50V,GP,TP,5x11,5
.....5	C630	2202-000231	C-CERAMIC,MLC-AXIAL;0.33NF,10%,50V,Y5P,T5	C612	2401-002075	C-AL;4.7uF,20%,50V,GP,TP,5x11,5
.....5	C634	2202-000231	C-CERAMIC,MLC-AXIAL;0.33NF,10%,50V,Y5P,T5	C613	2401-002075	C-AL;4.7uF,20%,50V,GP,TP,5x11,5
.....5	C638	2202-000286	C-CERAMIC,MLC-AXIAL;56pF,5%,50V,SL,TP,1.5	C614	2401-002075	C-AL;4.7uF,20%,50V,GP,TP,5x11,5
.....5	C606	2202-000796	C-CERAMIC,MLC-AXIAL;1NF,10%,50V,Y5P,TP,35	C617	2401-002075	C-AL;4.7uF,20%,50V,GP,TP,5x11,5
.....5	C659	2202-000796	C-CERAMIC,MLC-AXIAL;1NF,10%,50V,Y5P,TP,35	C618	2401-002075	C-AL;4.7uF,20%,50V,GP,TP,5x11,5
.....5	C660	2202-000796	C-CERAMIC,MLC-AXIAL;1NF,10%,50V,Y5P,TP,35	C620	2401-002075	C-AL;4.7uF,20%,50V,GP,TP,5x11,5
.....5	C901	2202-002037	C-CERAMIC,MLC-AXIAL;100nF,80-20%,50V,Y5V5	C632	2401-002075	C-AL;4.7uF,20%,50V,GP,TP,5x11,5
.....5	C639	2301-000108	C-FILM,LEAD-PEF;1.5nF,5%,50V,TP,6.5x3.0x5	C633	2401-002075	C-AL;4.7uF,20%,50V,GP,TP,5x11,5
.....5	C305	2301-000160	C-FILM,LEAD-PEF;12nF,5%,50V,TP,11.0x6.0x5	C635	2401-002075	C-AL;4.7uF,20%,50V,GP,TP,5x11,5
.....5	C426	2301-000192	C-FILM,LEAD-PEF;1nF,5%,50V,TP,5.3x10mm,55	C640	2401-002075	C-AL;4.7uF,20%,50V,GP,TP,5x11,5
.....5	C607	2301-000192	C-FILM,LEAD-PEF;1nF,5%,50V,TP,5.3x10mm,55	C404	2401-002288	C-AL;470uF,20%,25V,WT,TP,10x20,5
.....5	C608	2301-000192	C-FILM,LEAD-PEF;1nF,5%,50V,TP,5.3x10mm,55	C202	2401-002463	C-AL;470uF,20%,16V,GP,TP,8x11.5,5
.....5	C418	2301-000213	C-FILM,LEAD-PEF;220nF,5%,250V,TP,21.5x115	C833	2401-002619	C-AL;47uF,20%,25V,GP,TP,5x11,5
.....5	C809	2301-000224	C-FILM,LEAD-PEF;22nF,5%,50V,TP,7.4x3.9x15	C826	2401-003034	C-AL;220uF,20%,16V,WT,TP,8x11.5,5
.....5	C821	2301-000224	C-FILM,LEAD-PEF;22nF,5%,50V,TP,7.4x3.9x15	C834	2401-003034	C-AL;220uF,20%,16V,WT,TP,8x11.5,5
.....5	C802	2301-000232	C-FILM,LEAD-PEF;3.3nF,5%,50V,TP,8.1x4.5x5	C808	2401-003046	C-AL;47uF,20%,50V,WT,TP,6.3x11,2.5
.....5	C413	2301-000342	C-FILM,LEAD-PEF;2.2nF,5%,50V,TP,7.4x3.9x5	C104	2401-003578	C-AL;1000uF,20%,10V,GP,TP,8x20mm,5
.....5	C410	2301-000383	C-FILM,LEAD-PEF;10nF,5%,50V,TP,6x7x3.2mm5	L301	2701-000114	INDUCTOR-AXIAL;10UH,10%,2534
.....5	C417	2301-000383	C-FILM,LEAD-PEF;10nF,5%,50V,TP,6x7x3.2mm5	L611	2701-000114	INDUCTOR-AXIAL;10UH,10%,2534
.....5	C423	2301-001259	C-FILM,LEAD-PPF;100nF,5%,400V,TP,19x8x165	L612	2701-000114	INDUCTOR-AXIAL;10UH,10%,2534
.....5	C408	2301-001268	C-FILM,LEAD-PPF;33nF,5%,630V,TP,20x11x175	R101	2701-000114	INDUCTOR-AXIAL;10UH,10%,2534
.....5	C807	2301-001342	C-FILM,LEAD-PPF;1.5nF,5%,800V,TP,15x6.5x5	R102	2701-000114	INDUCTOR-AXIAL;10UH,10%,2534
.....5	C407	2301-001401	C-FILM,LEAD-PPF;27nF,5%,630V,TP,19x11x175	L101	2701-000115	INDUCTOR-AXIAL;10UH,10%,3070
.....5	C303	2305-000285	C-FILM,LEAD-PEF;220nF,5%,100V,TP,10.5X5.5	L103	2701-000115	INDUCTOR-AXIAL;10UH,10%,3070
.....5	C414	2305-000285	C-FILM,LEAD-PEF;220nF,5%,100V,TP,10.5X5.5	L601	2701-000115	INDUCTOR-AXIAL;10UH,10%,3070
.....5	C304	2305-000289	C-FILM,LEAD-PEF;220nF,5%,63V,TP,7.5mm5	L102	2701-000159	INDUCTOR-AXIAL;22UH,10%,4298
.....5	C307	2305-000411	C-FILM,LEAD-PEF;470nF,5%,50V,TP,7.3x4.8x5	L603	2701-000177	INDUCTOR-AXIAL;33UH,10%,2534
.....5	C101	2305-000665	C-FILM,LEAD-PEF;100nF,5%,63V,TP,7.5x4.0x5	L604	2701-000177	INDUCTOR-AXIAL;33UH,10%,2534
.....5	C103	2305-000665	C-FILM,LEAD-PEF;100nF,5%,63V,TP,7.5x4.0x5	L605	2701-000177	INDUCTOR-AXIAL;33UH,10%,2534
.....5	C105	2305-000665	C-FILM,LEAD-PEF;100nF,5%,63V,TP,7.5x4.0x5	L606	2701-000177	INDUCTOR-AXIAL;33UH,10%,2534
.....5	C201	2305-000665	C-FILM,LEAD-PEF;100nF,5%,63V,TP,7.5x4.0x5	L613	2701-000177	INDUCTOR-AXIAL;33UH,10%,2534
.....5	C203	2305-000665	C-FILM,LEAD-PEF;100nF,5%,63V,TP,7.5x4.0x5	L614	2701-000177	INDUCTOR-AXIAL;33UH,10%,2534
.....5	C206	2305-000665	C-FILM,LEAD-PEF;100nF,5%,63V,TP,7.5x4.0x5	L615	2701-000177	INDUCTOR-AXIAL;33UH,10%,2534
.....5	C415	2305-000665	C-FILM,LEAD-PEF;100nF,5%,63V,TP,7.5x4.0x5	L616	2701-000177	INDUCTOR-AXIAL;33UH,10%,2534
.....5	C605	2305-000665	C-FILM,LEAD-PEF;100nF,5%,63V,TP,7.5x4.0x5	L201	2701-000200	INDUCTOR-AXIAL;5.6UH,10%,4298
.....5	C627	2305-000665	C-FILM,LEAD-PEF;100nF,5%,63V,TP,7.5x4.0x5	L811	2701-001030	INDUCTOR-AXIAL;43UH,10%,4514
.....5	C637	2305-000665	C-FILM,LEAD-PEF;100nF,5%,63V,TP,7.5x4.0x5	F101	2901-000297	FILTER-EMI ON BOARD;-3A,-,3.5x5,TP-
.....5	C647	2305-000665	C-FILM,LEAD-PEF;100nF,5%,63V,TP,7.5x4.0x5	F101	2901-000297	FILTER-EMI ON BOARD;-3A,-,3.5x5,TP-
.....5	C825	2305-000665	C-FILM,LEAD-PEF;100nF,5%,63V,TP,7.5x4.0x5	F101	2901-000297	FILTER-EMI ON BOARD;-3A,-,3.5x5,TP-
.....5	C831	2305-000665	C-FILM,LEAD-PEF;100nF,5%,63V,TP,7.5x4.0x5	F101	2901-000299	FILTER-EMI ON BOARD;-6A,UL/CSA,-,9x7.5,
.....5	C837	2305-000665	C-FILM,LEAD-PEF;100nF,5%,63V,TP,7.5x4.0x5	F101	2901-000299	FILTER-EMI ON BOARD;-6A,UL/CSA,-,9x7.5,
.....5	C843	2305-000665	C-FILM,LEAD-PEF;100nF,5%,63V,TP,7.5x4.0x5	F101	2901-000299	FILTER-EMI ON BOARD;-6A,UL/CSA,-,9x7.5,
.....5	C844	2305-000665	C-FILM,LEAD-PEF;100nF,5%,63V,TP,7.5x4.0x5	L2514	3301-000287	BEAD-AXIAL;3.5x1.0x6.0mm,3000mA,TP,,50
.....5	C102	2401-000025	C-AL;100uF,20%,16V,GP,TP,6.3x11,55	L2514	3301-000287	BEAD-AXIAL;3.5x1.0x6.0mm,3000mA,TP,,50
.....5	C902	2401-000025	C-AL;100uF,20%,16V,GP,TP,6.3x11,55	L2514	3301-000287	BEAD-AXIAL;3.5x1.0x6.0mm,3000mA,TP,,50
.....5	C204	2401-000050	C-AL;10uF,20%,16V,GP,TP,5x11,2,55	L2514	3301-001223	BEAD-AXIAL;62ohm,3.5x0.8x5mm,,TP,,
.....5	C205	2401-000050	C-AL;10uF,20%,16V,GP,TP,5x11,2,55	L2514	3301-001223	BEAD-AXIAL;62ohm,3.5x0.8x5mm,,TP,,
.....5	C622	2401-000050	C-AL;10uF,20%,16V,GP,TP,5x11,2,55	L2514	3301-001223	BEAD-AXIAL;62ohm,3.5x0.8x5mm,,TP,,
.....5	C623	2401-000050	C-AL;10uF,20%,16V,GP,TP,5x11,2,55	FA801S	3601-000120	FUSE-AXIAL LEAD;125V,2.5A,FAST-ACTING,GL
.....5	C636	2401-000050	C-AL;10uF,20%,16V,GP,TP,5x11,2,55	FA802S	3601-001086	FUSE-AXIAL LEAD;125V,5A,FAST-ACTING,GLAS
.....5	C641	2401-000050	C-AL;10uF,20%,16V,GP,TP,5x11,2,55	FA803S	3601-001228	FUSE-AXIAL LEAD;125V,10A,FAST-ACTING,EPO
.....5	C801	2401-000287	C-AL;100uF,20%,16V,WT,TP,6.3x11,55	F801A	3602-000114	FUSE-HOLDER;-,-,30mohm
.....5	C626	2401-000302	C-AL;100uF,20%,25V,GP,TP,6.3x11,55	F801B	3602-000114	FUSE-HOLDER;-,-,30mohm
.....5	C301	2401-000365	C-AL;100uF,20%,50V,WT,TP,10x12.5mm,5	EL201	6042-000001	EYELET;ID2.2,OD2.7,L3.1,NI+SN,BSP3-1/2H
.....5	C306	2401-000365	C-AL;100uF,20%,50V,WT,TP,10x12.5mm,5	EL202	6042-000001	EYELET;ID2.2,OD2.7,L3.1,NI+SN,BSP3-1/2H
.....5	C106	2401-000480	C-AL;10uF,20%,50V,GP,TP,5x11,55	EL203	6042-000001	EYELET;ID2.2,OD2.7,L3.1,NI+SN,BSP3-1/2H
.....5	C411	2401-000493	C-AL;10uF,20%,50V,LZ,TP,5x11mm,5mm5	EL204	6042-000001	EYELET;ID2.2,OD2.7,L3.1,NI+SN,BSP3-1/2H
.....5	C832	2401-000493	C-AL;10uF,20%,50V,LZ,TP,5x11mm,5mm5	EL401	6042-000001	EYELET;ID2.2,OD2.7,L3.1,NI+SN,BSP3-1/2H
.....5	C604	2401-000603	C-AL;1UF,20%,50V,GP,TP,5X11,25	EL402	6042-000001	EYELET;ID2.2,OD2.7,L3.1,NI+SN,BSP3-1/2H
.....5	C841	2401-000611	C-AL;1uF,20%,50V,WT,TP,5x11,55	EL403	6042-000001	EYELET;ID2.2,OD2.7,L3.1,NI+SN,BSP3-1/2H
.....5	C818	2401-000689	C-AL;2200uF,20%,16V,GP,TP,13x25,55	EL404	6042-000001	EYELET;ID2.2,OD2.7,L3.1,NI+SN,BSP3-1/2H
.....5	C835	2401-000689	C-AL;2200uF,20%,16V,GP,TP,13x25,55	EL801	6042-000001	EYELET;ID2.2,OD2.7,L3.1,NI+SN,BSP3-1/2H
.....5	C820	2401-000703	C-AL;2200uF,20%,25V,GP,-,12.5x25mm,5	EL802	6042-000001	EYELET;ID2.2,OD2.7,L3.1,NI+SN,BSP3-1/2H
.....5	C412	2401-000832	C-AL;220uF,20%,25V,GP,TP,8x11.5,55	EL805	6042-000001	EYELET;ID2.2,OD2.7,L3.1,NI+SN,BSP3-1/2H
.....5	C416	2401-000832	C-AL;220uF,20%,25V,GP,TP,8x11.5,55	EL806	6042-000001	EYELET;ID2.2,OD2.7,L3.1,NI+SN,BSP3-1/2H
.....5	C602	2401-001026	C-AL;3.3UF,20%,50V,GP,TP,5X11,55	EY442	6042-000001	EYELET;ID2.2,OD2.7,L3.1,NI+SN,BSP3-1/2H
.....5	C117	2401-001363	C-AL;470uF,20%,16V,GP,TP,10x12.5,55	EY301	6042-000002	EYELET;ID1.5,OD2.2,L2.8,NI+SN,BSP3-1/2H
.....5	C402	2401-001397	C-AL;470uF,20%,25V,GP,TP,10x16,55	EY302	6042-000002	EYELET;ID1.5,OD2.2,L2.8,NI+SN,BSP3-1/2H
.....5	C823	2401-001513	C-AL;47uF,20%,16V,WT,TP,5x11,55	EY401	6042-000002	EYELET;ID1.5,OD2.2,L2.8,NI+SN,BSP3-1/2H
.....5	C838	2401-001513	C-AL;47uF,20%,16V,WT,TP,5x11,55	EY403	6042-000002	EYELET;ID1.5,OD2.2,L2.8,NI+SN,BSP3-1/2H
.....5	C840	2401-001513	C-AL;47uF,20%,16V,WT,TP,5x11,55	EY404	6042-000002	EYELET;ID1.5,OD2.2,L2.8,NI+SN,BSP3-1/2H
.....5	C420	2401-001527	C-AL;47uF,20%,250V,HR,TP,13x25mm,5m5	EY405	6042-000002	EYELET;ID1.5,OD2.2,L2.8,NI+SN,BSP3-1/2H
.....5	C609	2401-001914	C-AL;1uF,20%,50V,BP,TP,5x11,55	EY406	6042-000002	EYELET;ID1.5,OD2.2,L2.8,NI+SN,BSP3-1/2H
.....5	C610	2401-001914	C-AL;1uF,20%,50V,BP,TP,5x11,55	EY407	6042-000002	EYELET;ID1.5,OD2.2,L2.8,NI+SN,BSP3-1/2H



Loc. No.	Code No.	Description ; Specification	Remark	Loc. No.	Code No.	Description ; Specification	Remark
..2	T0091	AA94-14663B	ASSY PCB MISC-A/V SIDE;DP,25M20,S61A,NEG	S.N.A			
....3	T0091	AA94-14663A	ASSY PCB MISC-A/V SIDE;25M20,S61A,NEGOTI				
....4	T0245	0202-001366	SOLDER-WIRE FLUX;-RS60S,D1.2,63Sn/37Pb,	S.N.A			
....4	JA701	3722-001031	JACK-PIN;3P,3.6mm,#18,AU				
....4	JA702	3722-001163	JACK-VHS;4P,12mm,AU,BLK,N				
....4	M2893	AA39-00381A	LEAD CONNECTOR;CS29M6SPNX/BWT,UL1185#26,				
....4	T0569	AA97-15410A	ASSY AUTO-A/V SIDE;25M20,S61A,NEGOTIATOR	S.N.A			
....5	R706	2001-000273	R-CARBON;100KOHM,5%,1/8W,AA,TP,1.8X3.2MM				
....5	R707	2001-000273	R-CARBON;100KOHM,5%,1/8W,AA,TP,1.8X3.2MM				
....5	C703	2202-000121	C-CERAMIC,MLC-AXIAL;100pF,10%,50V,Y5P,TP				
....5	C705	2202-000121	C-CERAMIC,MLC-AXIAL;100pF,10%,50V,Y5P,TP				
....5	C706	2202-002008	C-CERAMIC,MLC-AXIAL;10nF,+80-20%,50V,Y5V				
....5	C707	2202-002008	C-CERAMIC,MLC-AXIAL;10nF,+80-20%,50V,Y5V				
....5	L2514	3301-000287	BEAD-AXIAL;;3.5x1.0x6.0mm,3000mA,TP,,,50	S.N.A			
....5	L2514	3301-000287	BEAD-AXIAL;;3.5x1.0x6.0mm,3000mA,TP,,,50	S.N.A			
....5	0	AA41-01003A	PCB SUB;CS25M20,FR-1.1,A,245*245,K57A,S6	S.N.A			
....3		AA98-02516B	ASSY K/D-PACKING;SIDE A/V,S61A,NEGOTIATO	S.N.A			
....4		AA61-01140E	CASE-PS BOX;ANTISTATIC,PS,295,295,32	S.N.A			

ASSY P/MATERIAL

1	M0113	AA92-09043Q	ASSY P/MATERIAL;CS25M20SSNSKLG	S.N.A
..2	T0524	6902-000005	BAG PE;HDPE/NITRON/HDPE,T0.015/T0.5/T0.0	S.N.A
..2	T0214	AA60-40007A	PIN-STAPLE;HAND,H18,W35,H18,W35	S.N.A
..2	T0172	AA69-02609A	BAND-PP;W18,CLEA,1G	S.N.A

ASSY ACCESSORY

1	M0045	AA92-09052A	ASSY ACCESSORY;CS29M6SPNX/BWT,S61A,NE	S.N.A
..2	T0524	6902-000009	BAG PE;HDPE,T0.03,L400,W240,TRP,8,2,PE M	S.N.A
..2	T0074	AA59-00357B	REMOCON;Negotiator,TM76B,XP0,G6148,44,LN	
..3	T0122	2802-000194	RESONATOR-CERAMIC;8MHz,1.0%,TP,8.5x4.5x5	
....3	T0119	AA09-00371A	IC MICOM;SZTM-839C R-52MX,28PIN,16KBYTE,	
..2	5	AA68-00816B	CARD WARRANTY-05;;RUSSINA,2,W/P 120G,BOT	S.N.A
..2	T0269	AA68-01120A	MANUAL SERVICE;-,-,CIS,A4,6PAGE(FOLD),W/	S.N.A
..2		AA68-01402A	MANUAL-GOOD WILL LETTER;;CIS,B5,1PAGE,A/	S.N.A
..2	3	AA68-03278A	MANUAL-03.CARD WARRANTY;CIS ALL MODEL,	S.N.A
..2	M0753	AA68-03335A	MANUAL USERS-04;Negotiator,BWT,RUS,CIS,S	S.N.A
..2	0	AA68-03242B	MANUAL-SAFETY GUIDE;TH-ENG,SAFETY GUIDES.N.A	
..2		AA68-03576A	MANUAL-00 REGISTRATION CARD;BWT,RU,RUSSS.N.A	

ASSY SKD PART

1		AA92-09942H	ASSY SKD PART;CS25M20SSNSKLG,S61A,NEGOTS.N.A	
△	..2	T0268	AA39-10003B	CBF-POWER CORD;-;KJP-140,KLCE-2F,2.4m,HO
..2	T0010	AA61-20284A	HOLDER;P-CORD,PP,-,-,BLK,VO,KE-002	S.N.A
..2	CIS1	AA65-30110A	CLAMPER CORE-WIRE;ALL MODEL,NYLON 66,V	S.N.A

ASSY K/D-SKD P/MATERIAL

1		AA98-01629A	ASSY K/D-SKD P/MATERIAL;CTV,SKD FORMAT-3	S.N.A
..2	T0376	6902-000061	BAG AIR;LDPE,T0.2,L1000,W500,TRP,,,	S.N.A
..2	T0376	6902-000001	BAG AIR;LDPE,T0.2,L1800,W1000,TRP,,,LDPE	S.N.A
..2		AA69-90001A	CHEMICALS-SILICAGEL;-,-,-,-,M2,5GR,-,-	S.N.A
..2	T0214	AA60-40006A	PIN-STAPLE;AUTO,33X17.8X2.4,H18,33X17.8X	S.N.A
..2	T0172	AA69-02609A	BAND-PP;W18,CLEA,1G	S.N.A
..2		6902-000604	BAG WRAPPING;LDPE,T0.02,W500,L10000,TRP,	S.N.A

You can search for the updated part code through ITSELF web site.

URL : http://itself.sec.samsung.co.kr

4-2 CS29M20SPNS/KLG

Loc. No.	Code No.	Description ; Specification	Remark	Loc. No.	Code No.	Description ; Specification	Remark
ASSY COVER REAR							
1	M0002	AA90-05371C ASSY COVER REAR;S29M20SPNSKLG	S.N.A4	IC501	AA96-50311L ASSY HEAT SINK P,-,AMP,AA62-30175D ,TDA	S.N.A
..2	T0069	AA60-00091P SPACER-FELT;FELT,500X10,BLK,T0.5	S.N.A4	IC502	AA96-50311L ASSY HEAT SINK P,-,AMP,AA62-30175D ,TDA	S.N.A
..2	T0066	AA64-00894M INLAY-BACK;K55A,PS,T0.3,SHEET,BLK,SCART(S.N.A5	T0074	1201-001131 IC-VIDEO AMP;6111,SIP,9P,-,SINGLE,-,PLAS	
..2	T0015	AA64-02573E CABINET-BACK;DP,29M6,NEW,V2,AA64-02099D	S.N.A5	M0081	6003-000334 SCREW-TAPTITE;RH,+ ,2S,M3,L6,ZPC(YEL),SWR	S.N.A
...3	M0081	6902-000611 BAG ROLL;PE FOAM,T1.0,-,-,-,-,-	S.N.A5	T0175	AA62-30175D HEAT SINK-PS;- ,SECC,T1.0,-,-,33X15X30 FT-2	S.N.A
...3	T0015	AA64-02099D CABINET-BACK;29M6,HIPS,V2,G4309	S.N.A4	T0100	AA97-14986B ASSY AUTO-CRT;29,S61A,CHINA	S.N.A
..2	T0522	AA65-30008A CLAMPER CORE-CORD;- ,PE,HB,-,BLK,-	S.N.A5	D501	0401-000005 DIODE-SWITCHING;1N4148,75V,150MA,DO-35,T	
ASSY COVER FRONT							
1	M0001	AA90-05373B ASSY COVER FRONT;CS29M20SPNSKLG	S.N.A5	D504	0402-000132 DIODE-RECTIFIER;1N4004,400V,1A,DO-41,TP	
..2	T0081	6002-000522 SCREW-TAPPING;TH,+ ,2,M4,L15,ZPC(BLK),SWR	S.N.A5	D502	0402-000493 DIODE-RECTIFIER;1R5GU41,400V,1.5A,DO-15L	
..2	M0081	6003-001019 SCREW-TAPTITE;RH,+ ,B,M4,L12,ZPC(BLK),SWR	S.N.A5	D509	0402-000546 DIODE-RECTIFIER;TVR10G,400V,1.0A,DO-41,T	
..2	M0081	6003-001026 SCREW-TAPTITE;RH,+ ,B,M4,L15,ZPC(BLK),SWR	S.N.A5	D510	0402-000546 DIODE-RECTIFIER;TVR10G,400V,1.0A,DO-41,T	
..2	M0081	6003-001026 SCREW-TAPTITE;RH,+ ,B,M4,L15,ZPC(BLK),SWR	S.N.A5	D511	0402-000546 DIODE-RECTIFIER;TVR10G,400V,1.0A,DO-41,T	
..2	M0081	6003-001268 SCREW-TAPTITE;TH,+ ,B,M4,L12,ZPC(YEL),SWR	S.N.A5	D512	0402-000546 DIODE-RECTIFIER;TVR10G,400V,1.0A,DO-41,T	
..2	M0081	6003-001268 SCREW-TAPTITE;TH,+ ,B,M4,L12,ZPC(YEL),SWR	S.N.A5	D513	0402-000546 DIODE-RECTIFIER;TVR10G,400V,1.0A,DO-41,T	
..2	M0081	6003-001268 SCREW-TAPTITE;TH,+ ,B,M4,L12,ZPC(YEL),SWR	S.N.A5	D514	0402-000546 DIODE-RECTIFIER;TVR10G,400V,1.0A,DO-41,T	
..2	M0081	AA60-10002A SCREW-TAPTITE;- ,ZPC(YEL),M4,L12,RH,+ ,--	S.N.A5	DF08	0402-000546 DIODE-RECTIFIER;TVR10G,400V,1.0A,DO-41,T	
..2	T0081	AA60-10050T SCREW-TAPPING;- ,SWRCH18A,M4,L20,RH,+ ,2S,	S.N.A5	DZ503	0403-000508 DIODE-ZENER;MTZJ5.6B,5.45-5.73V,500MW,DO	
..2	CRT+CF	AA60-10050V BOLT-HEX;- ,SWRCH18A,M6,L30,HH,+ ,WC,- ,Z	S.N.A5	DZ510	0403-000734 DIODE-ZENER;TZP15B,14.7-16.5V,1000MW,DO-	
..2	CCM1	AA61-01316A BRACKET-CRATER;29 ALL,STS304,T0.5,...	S.N.A5	Q501	0501-000283 TR-SMALL SIGNAL;KSA539,PNP,400mW,TO-92,T	
..2	T0609	AA63-60004G SPACER-GUM,CRT;- ,NTR RUBBER,-,-,- ,GRY,T3	S.N.A5	Q502	0501-000283 TR-SMALL SIGNAL;KSA539,PNP,400mW,TO-92,T	
..2	T0022	AA64-04070A KNOB CONTROL;DP,M20,AA64-03859A	S.N.A5	Q503	0501-000283 TR-SMALL SIGNAL;KSA539,PNP,400mW,TO-92,T	
...3	M0081	6902-000611 BAG ROLL;PE FOAM,T1.0,-,-,-,-,-	S.N.A5	Q504	0501-000283 TR-SMALL SIGNAL;KSA539,PNP,400mW,TO-92,T	
...3		AA61-01109E CASE-PP BOX;- ,PP,295,295,32	S.N.A5	Q505	0501-000389 TR-SMALL SIGNAL;KSC815,NPN,400mW,TO-92,T	
...3	T0022	AA64-03859A KNOB CONTROL;29M20,ABS,HB,G3676,SVM3012	S.N.A5	IC506	0502-000006 TR-POWER;KSC1507,NPN,15W,TO-220,TP,120-	
..2	T0010	AA91-00507B ASSY HOLDER SPK;DP;- ,8OHM/15W,- ,29K1 CKD	S.N.A5	R531	2001-000009 R-CARBON;20KOHM,5%,1/8W,AA,TP,1.8X3.2MM	
..2	T0003	AA96-02339A ASSY COVER P-FRONT;DP,29M20,HQ,TT,TSE,S,	S.N.A5	R560	2001-000052 R-CARBON(S);3.3KOHM,5%,1/2W,AA,TP,2.4X6.4	
...3	M0081	6003-001019 SCREW-TAPTITE;RH,+ ,B,M4,L12,ZPC(BLK),SWR	S.N.A5	R533	2001-000066 R-CARBON(S);10KOHM,5%,1/2W,AA,TP,2.4X6.4	
...3	T0524	6902-000583 BAG PE;HDPE/NITRON(DOUBLE),T0.015/T0.8,W	S.N.A5	R536	2001-000085 R-CARBON(S);10KOHM,5%,1/2W,AA,TP,2.4X6.4	
...3	T0069	AA60-00091G SPACER-FELT;- ,FELT,200X10,-,-,BLK,T0.5,-	S.N.A5	R501	2001-000241 R-CARBON;1.5KOHM,5%,1/8W,AA,TP,1.8X3.2MM	
...3	T0069	AA60-00091R SPACER-FELT;FELT,250X10,-,-,BLK,T0.5,...	S.N.A5	R502	2001-000241 R-CARBON;1.5KOHM,5%,1/8W,AA,TP,1.8X3.2MM	
...3	T0245	AA61-00711D HOLDER-PCB;29U1,U2,HIPS VO,BK502(HB-PROP	S.N.A5	R527	2001-000241 R-CARBON;1.5KOHM,5%,1/8W,AA,TP,1.8X3.2MM	
...3	CIS7	AA61-60003J SPRING ETC-CS;- ,SUS304,-,-,OD6,N7,OD6,-	S.N.A5	R530	2001-000273 R-CARBON;100KOHM,5%,1/8W,AA,TP,1.8X3.2MM	
...3	T0578	AA64-01506X INLAY AV;29M6,PS,T0.3,SHEET,SILVER,P/GRA	S.N.A5	R562	2001-000273 R-CARBON;100KOHM,5%,1/8W,AA,TP,1.8X3.2MM	
...3	T0003	AA64-03858E CABINET FRONT;29M20,HQ,TT,TSE,SEH,HIPS,H	S.N.A5	R563	2001-000273 R-CARBON;100KOHM,5%,1/8W,AA,TP,1.8X3.2MM	
...3	T0023	AA64-03860A KNOB POWER;29M20,ABS,HB,G3676,SVM3012	S.N.A5	R522	2001-000290 R-CARBON;10KOHM,5%,1/8W,AA,TP,1.8X3.2MM	
...3	T0299	AA64-03861A WINDOW-RMC LED;29M20,PC,CLEAR	S.N.A5	R564	2001-000290 R-CARBON;10KOHM,5%,1/8W,AA,TP,1.8X3.2MM	
...3	CIS3	AA64-03862A DECORATION-POWER;29M20,ABS,HB,G3676,AL	S.N.A5	R519	2001-000397 R-CARBON;180KOHM,5%,1/8W,AA,TP,1.8X3.2MM	
...3	T0057	AA64-70117B BADGE-BRAND;- ,AL,T1.5,10.6,L65,BLK,SILVER	S.N.A5	R540	2001-000429 R-CARBON;1KOHM,5%,1/8W,AA,TP,1.8X3.2MM	
...3	CIS1	AA65-00011C CLAMPER CORE-WIRE;ALL MODEL,NYLON 66,V2,S,N.A	S.N.A5	R554	2001-000429 R-CARBON;1KOHM,5%,1/8W,AA,TP,1.8X3.2MM	
...3	CIS1	AA65-30105A CLAMPER CORE-WIRE;ALL MODEL,NYLON 66,V2,S,N.A	S.N.A5	R555	2001-000429 R-CARBON;1KOHM,5%,1/8W,AA,TP,1.8X3.2MM	
...3	T0382	BP61-00509C HOLDER-CARE;PJT,ACRYL-FOAM,T0.25,W20.0mm	S.N.A5	R556	2001-000429 R-CARBON;1KOHM,5%,1/8W,AA,TP,1.8X3.2MM	
..2	T0382	BP61-00495C HOLDER-CARE;PJT,ACRYL-FOAM,T0.25,W30.0mm	S.N.A5	R520	2001-000563 R-CARBON;27KOHM,5%,1/8W,AA,TP,1.8X3.2MM	
ASSY CHASSIS							
1	M0017	AA91-07716Q ASSY CHASSIS;CS29M20SPNSNWT,NEGOTIATOR S.N.A	5	R523	2001-000890 R-CARBON;6.8KOHM,5%,1/8W,AA,TP,1.8X3.2MM	
..2		AA91-08381A ASSY MISC-CHASSISPACK;CS29M20SPNSNWT,S	S.N.A5	R566	2001-001040 R-CARBON(S);0.68OHM,5%,1/2W,AA,TP,2.4X6.4	
...3	T0099	AA94-13486B ASSY PCB MISC-CRT;29,S61A,CHINA	S.N.A5	R504	2001-001045 R-CARBON(S);1.2KOHM,5%,1/2W,AA,TP,2.4X6.4	
....4	T0245	0202-001366 SOLDER-WIRE FLUX;- ,RS60S,D1.2,63Sn/37Pb,	S.N.A5	R505	2001-001045 R-CARBON(S);1.2KOHM,5%,1/2W,AA,TP,2.4X6.4	
....4	C517	2201-000173 C-CERAMIC,DISC;10NF,10%,500V,Y5P,BK,16X4	5	R565	2001-001071 R-CARBON(S);12KOHM,5%,1/2W,AA,TP,2.4X6.4	
....4	C521	2201-000173 C-CERAMIC,DISC;10NF,10%,500V,Y5P,BK,16X4	5	R535	2001-001103 R-CARBON(S);20KOHM,5%,1/2W,AA,TP,2.4X6.4	
....4	C522	2201-002117 C-CERAMIC,DISC;4.7nF,20%,3kV,Y5U,TP,16x6	5	R561	2001-001126 R-CARBON(S);300OHM,5%,1/2W,AA,TP,2.4X6.4	
....4	V999S	3704-001197 SOCKET-CRT;8P+SEN,29PI,22.5PI,N1+SN,-	5	RF11	2001-001175 R-CARBON(S);62OHM,5%,1/2W,AA,TP,2.4X6.4MM	
....4	CN906	3711-003051 CONNECTOR-HEADER;BOX,8P,1R,2.5MM,STRAIGH	5	R537	2001-001196 R-CARBON(S);9.1KOHM,5%,1/2W,AA,TP,2.4X6.4	
....4	CN906	3711-003974 CONNECTOR-HEADER;BOX,12P,1R,2.5mm,STRAIG	5	R506	2001-001198 R-CARBON(S);91KOHM,5%,1/2W,AA,TP,2.4X6.4	
....4	IC063	AA13-00111A IC HYBRID;STK396-130,WT-32A20HD,12,105C,	5	R510	2001-001198 R-CARBON(S);91KOHM,5%,1/2W,AA,TP,2.4X6.4	
....4	T0245	AA39-00088A LEAD CONNECTOR-ASSY;HERCULES,UL1007/1185	5	R511	2001-001198 R-CARBON(S);91KOHM,5%,1/2W,AA,TP,2.4X6.4	
....4	T0245	AA39-00127A LEAD CONNECTOR-ASSY;- ,8P,400MM,35155-0800	5	R525	2002-001006 R-COMPOSITION;4.7KOHM,15%,1/2W,AA,TP,3.7x9	
....4	T0245	AA39-20010B LEAD CONNECTOR-ASSY;- ,1P,500,YFH800-01,S,	5	R513	2002-001017 R-COMPOSITION;1Kohm,10%,1/2W,AA,TP,3.7x9	
....4	T0603	AA63-10002A BAND-TIE,NYLON66 V2,L100,NTR	S.N.A5	R514	2002-001017 R-COMPOSITION;1Kohm,10%,1/2W,AA,TP,3.7x9	
....4			5	R515	2002-001017 R-COMPOSITION;1Kohm,10%,1/2W,AA,TP,3.7x9	
....4			5	RF13	2003-000995 R-METAL OXIDE(S);3.3Kohm,5%,2W,AF,TP,3.9	
....4			5	RF20	2003-000995 R-METAL OXIDE(S);3.3Kohm,5%,2W,AF,TP,3.9	
....4			5	RF21	2003-000995 R-METAL OXIDE(S);3.3Kohm,5%,2W,AF,TP,3.9	
....4			5	RF22	2003-000995 R-METAL OXIDE(S);3.3Kohm,5%,2W,AF,TP,3.9	
....4			5	RF35	2003-000998 R-METAL OXIDE;300ohm,5%,2W,AF,TP,3.9x10mm	
....4			5	RF12	2003-001093 R-METAL OXIDE(S);12Kohm,5%,2W,AF,TP,3.9x	
....4			5	R512	2004-001369 R-METAL(S);1.2Kohm,1%,1/2W,AA,TP,2.4x6.4	
....4			5	R532	2004-001893 R-METAL(S);22Kohm,1%,1/2W,AA,TP,2.5x6.5mm	
....4			5	R534	2004-004097 R-METAL;1.6Kohm,2%,1/2W,AA,TP,2.4X6.4mm	
....4			5	R509	2008-000205 R-FUSIBLE(S);10ohm,5%,1/2W,AF,TP,2.5x6.5	
....4			5	R528	2008-000205 R-FUSIBLE(S);10ohm,5%,1/2W,AF,TP,2.5x6.5	
....4			5	R529	2008-000264 R-FUSIBLE(S);1ohm,5%,1W,AF,TP,3.9x10mm	

Electric Parts List

Loc. No.	Code No.	Description ; Specification	Remark	Loc. No.	Code No.	Description ; Specification	Remark
.....6EQ01	0501-000344	TR-SMALL SIGNAL;KSC1623-G,NPN,200mW,SOT-	6ER37	2007-000074	R-CHIP;100ohm,5%,1/10W,TP,1608	
.....6EQ03	0501-000344	TR-SMALL SIGNAL;KSC1623-G,NPN,200mW,SOT-	6ER40	2007-000074	R-CHIP;100ohm,5%,1/10W,TP,1608	
.....6EQ06	0501-000344	TR-SMALL SIGNAL;KSC1623-G,NPN,200mW,SOT-	6PR09	2007-000074	R-CHIP;100ohm,5%,1/10W,TP,1608	
.....6Q901	0501-000344	TR-SMALL SIGNAL;KSC1623-G,NPN,200mW,SOT-	6PR10	2007-000074	R-CHIP;100ohm,5%,1/10W,TP,1608	
.....6Q906	0501-000344	TR-SMALL SIGNAL;KSC1623-G,NPN,200mW,SOT-	6PR21	2007-000074	R-CHIP;100ohm,5%,1/10W,TP,1608	
.....6Q907	0501-000344	TR-SMALL SIGNAL;KSC1623-G,NPN,200mW,SOT-	6R905	2007-000074	R-CHIP;100ohm,5%,1/10W,TP,1608	
.....6Q908	0501-000344	TR-SMALL SIGNAL;KSC1623-G,NPN,200mW,SOT-	6R940	2007-000074	R-CHIP;100ohm,5%,1/10W,TP,1608	
.....6DQ09	0501-000727	TR-SMALL SIGNAL;BC848C,NPN,310mW,SOT-23,	6R941	2007-000074	R-CHIP;100ohm,5%,1/10W,TP,1608	
.....6PQ01	0501-002049	TR-SMALL SIGNAL;BC858,PNP,310mW,SOT-23,T	6R942	2007-000074	R-CHIP;100ohm,5%,1/10W,TP,1608	
.....6PQ02	0501-002049	TR-SMALL SIGNAL;BC858,PNP,310mW,SOT-23,T	6R947	2007-000074	R-CHIP;100ohm,5%,1/10W,TP,1608	
.....6PQ03	0501-002049	TR-SMALL SIGNAL;BC858,PNP,310mW,SOT-23,T	6R948	2007-000074	R-CHIP;100ohm,5%,1/10W,TP,1608	
.....6Q409	0505-001679	FET-SILICON;FDC6301N,N,25V,0.22A,50HM,0.	6R951	2007-000074	R-CHIP;100ohm,5%,1/10W,TP,1608	
.....6IC104	0801-000662	IC-CMOS LOGIC;74HC123,MULTIVIBATOR,SOP,1	6R962	2007-000074	R-CHIP;100ohm,5%,1/10W,TP,1608	
.....6IC06	1203-001211	IC-VOL. DETECTOR;7027,SOT-89,3P,-,PLASTI	6RM01	2007-000074	R-CHIP;100ohm,5%,1/10W,TP,1608	
.....6T0087	1203-001419	IC-POS.FIXED REG.;4931,TO-252,3P,6.6x10	6SR35	2007-000074	R-CHIP;100ohm,5%,1/10W,TP,1608	
.....6ICM04	1203-001814	IC-VOL. DETECTOR;7025,SOT-89,4P,98MIL,PL	6PR28	2007-000075	R-CHIP;220ohm,5%,1/10W,TP,1608	
.....6T0087	1203-002186	IC-POS.FIXED REG.;18,DPAK,3P,240MIL,PLA	6PR29	2007-000075	R-CHIP;220ohm,5%,1/10W,TP,1608	
.....6T0087	1203-002302	IC-POS.FIXED REG.;78RM33D,D-PAK,3P,-,PL	6PR30	2007-000075	R-CHIP;220ohm,5%,1/10W,TP,1608	
.....6ICM01	1204-001912	IC-DECODER;SDA5550M,P-MQFP,100P,-,PLASTI	6DR25	2007-000077	R-CHIP;470ohm,5%,1/10W,TP,1608	
.....6IC01	1204-001948	IC-VIDEO DECODER;VSP9402A,MQFP,80P,14X14	6ER07	2007-000077	R-CHIP;470ohm,5%,1/10W,TP,1608	
.....6IC118	1204-001989	IC-VIDEO PROCESS;CXA2165Q,QFP,64P,20X14M	6R910	2007-000077	R-CHIP;470ohm,5%,1/10W,TP,1608	
.....6PIC01	1204-002098	IC-PICTURE PROCESS;SDA9489X-B31,SOIC,28P	6R919	2007-000077	R-CHIP;470ohm,5%,1/10W,TP,1608	
.....6DR23	2007-000052	R-CHIP;10Kohm,1%,1/10W,TP,1608	6R920	2007-000077	R-CHIP;470ohm,5%,1/10W,TP,1608	
.....6DR89	2007-000070	R-CHIP;0ohm,5%,1/10W,TP,1608	6SR37	2007-000077	R-CHIP;470ohm,5%,1/10W,TP,1608	
.....6ER14	2007-000070	R-CHIP;0ohm,5%,1/10W,TP,1608	6DR43	2007-000078	R-CHIP;1Kohm,5%,1/10W,TP,1608	
.....6ER41	2007-000070	R-CHIP;0ohm,5%,1/10W,TP,1608	6DR44	2007-000078	R-CHIP;1Kohm,5%,1/10W,TP,1608	
.....6R963	2007-000070	R-CHIP;0ohm,5%,1/10W,TP,1608	6DR45	2007-000078	R-CHIP;1Kohm,5%,1/10W,TP,1608	
.....6RM02	2007-000070	R-CHIP;0ohm,5%,1/10W,TP,1608	6DR46	2007-000078	R-CHIP;1Kohm,5%,1/10W,TP,1608	
.....6RM04	2007-000070	R-CHIP;0ohm,5%,1/10W,TP,1608	6ER38	2007-000078	R-CHIP;1Kohm,5%,1/10W,TP,1608	
.....6SR39	2007-000070	R-CHIP;0ohm,5%,1/10W,TP,1608	6ER46	2007-000078	R-CHIP;1Kohm,5%,1/10W,TP,1608	
.....6SR40	2007-000070	R-CHIP;0ohm,5%,1/10W,TP,1608	6PHR01	2007-000078	R-CHIP;1Kohm,5%,1/10W,TP,1608	
.....6SR41	2007-000070	R-CHIP;0ohm,5%,1/10W,TP,1608	6PR08	2007-000078	R-CHIP;1Kohm,5%,1/10W,TP,1608	
.....6SR42	2007-000070	R-CHIP;0ohm,5%,1/10W,TP,1608	6R902	2007-000078	R-CHIP;1Kohm,5%,1/10W,TP,1608	
.....6SR43	2007-000070	R-CHIP;0ohm,5%,1/10W,TP,1608	6R916	2007-000078	R-CHIP;1Kohm,5%,1/10W,TP,1608	
.....6DR40	2007-000072	R-CHIP;47ohm,5%,1/10W,TP,1608	6R921	2007-000078	R-CHIP;1Kohm,5%,1/10W,TP,1608	
.....6DR41	2007-000072	R-CHIP;47ohm,5%,1/10W,TP,1608	6R955	2007-000078	R-CHIP;1Kohm,5%,1/10W,TP,1608	
.....6R926	2007-000072	R-CHIP;47ohm,5%,1/10W,TP,1608	6RM07	2007-000078	R-CHIP;1Kohm,5%,1/10W,TP,1608	
.....6DR03	2007-000074	R-CHIP;100ohm,5%,1/10W,TP,1608	6DR86	2007-000080	R-CHIP;2Kohm,5%,1/10W,TP,1608	
.....6DR04	2007-000074	R-CHIP;100ohm,5%,1/10W,TP,1608	6DR87	2007-000080	R-CHIP;2Kohm,5%,1/10W,TP,1608	
.....6DR05	2007-000074	R-CHIP;100ohm,5%,1/10W,TP,1608	6R936	2007-000080	R-CHIP;2Kohm,5%,1/10W,TP,1608	
.....6DR06	2007-000074	R-CHIP;100ohm,5%,1/10W,TP,1608	6DR32	2007-000081	R-CHIP;3.7Kohm,5%,1/10W,TP,1608	
.....6DR09	2007-000074	R-CHIP;100ohm,5%,1/10W,TP,1608	6DR33	2007-000082	R-CHIP;3.3Kohm,5%,1/10W,TP,1608	
.....6DR10	2007-000074	R-CHIP;100ohm,5%,1/10W,TP,1608	6DR34	2007-000084	R-CHIP;4.7Kohm,5%,1/10W,TP,1608	
.....6DR11	2007-000074	R-CHIP;100ohm,5%,1/10W,TP,1608	6DR37	2007-000084	R-CHIP;4.7Kohm,5%,1/10W,TP,1608	
.....6DR16	2007-000074	R-CHIP;100ohm,5%,1/10W,TP,1608	6DR63	2007-000084	R-CHIP;4.7Kohm,5%,1/10W,TP,1608	
.....6DR17	2007-000074	R-CHIP;100ohm,5%,1/10W,TP,1608	6R901	2007-000084	R-CHIP;4.7Kohm,5%,1/10W,TP,1608	
.....6DR18	2007-000074	R-CHIP;100ohm,5%,1/10W,TP,1608	6R903	2007-000084	R-CHIP;4.7Kohm,5%,1/10W,TP,1608	
.....6DR19	2007-000074	R-CHIP;100ohm,5%,1/10W,TP,1608	6R904	2007-000084	R-CHIP;4.7Kohm,5%,1/10W,TP,1608	
.....6DR21	2007-000074	R-CHIP;100ohm,5%,1/10W,TP,1608	6R906	2007-000084	R-CHIP;4.7Kohm,5%,1/10W,TP,1608	
.....6DR30	2007-000074	R-CHIP;100ohm,5%,1/10W,TP,1608	6R908	2007-000084	R-CHIP;4.7Kohm,5%,1/10W,TP,1608	
.....6DR35	2007-000074	R-CHIP;100ohm,5%,1/10W,TP,1608	6R924	2007-000084	R-CHIP;4.7Kohm,5%,1/10W,TP,1608	
.....6DR36	2007-000074	R-CHIP;100ohm,5%,1/10W,TP,1608	6R927	2007-000084	R-CHIP;4.7Kohm,5%,1/10W,TP,1608	
.....6DR49	2007-000074	R-CHIP;100ohm,5%,1/10W,TP,1608	6R928	2007-000084	R-CHIP;4.7Kohm,5%,1/10W,TP,1608	
.....6DR50	2007-000074	R-CHIP;100ohm,5%,1/10W,TP,1608	6R938	2007-000084	R-CHIP;4.7Kohm,5%,1/10W,TP,1608	
.....6DR51	2007-000074	R-CHIP;100ohm,5%,1/10W,TP,1608	6R954	2007-000084	R-CHIP;4.7Kohm,5%,1/10W,TP,1608	
.....6DR58	2007-000074	R-CHIP;100ohm,5%,1/10W,TP,1608	6R957	2007-000084	R-CHIP;4.7Kohm,5%,1/10W,TP,1608	
.....6DR59	2007-000074	R-CHIP;100ohm,5%,1/10W,TP,1608	6DR13	2007-000086	R-CHIP;5.6Kohm,5%,1/10W,TP,1608	
.....6DR60	2007-000074	R-CHIP;100ohm,5%,1/10W,TP,1608	6DR14	2007-000086	R-CHIP;5.6Kohm,5%,1/10W,TP,1608	
.....6DR65	2007-000074	R-CHIP;100ohm,5%,1/10W,TP,1608	6DR66	2007-000088	R-CHIP;7.5Kohm,5%,1/10W,TP,1608	
.....6DR67	2007-000074	R-CHIP;100ohm,5%,1/10W,TP,1608	6R913	2007-000088	R-CHIP;7.5Kohm,5%,1/10W,TP,1608	
.....6DR74	2007-000074	R-CHIP;100ohm,5%,1/10W,TP,1608	6DR47	2007-000090	R-CHIP;10Kohm,5%,1/10W,TP,1608	
.....6DR75	2007-000074	R-CHIP;100ohm,5%,1/10W,TP,1608	6DR61	2007-000090	R-CHIP;10Kohm,5%,1/10W,TP,1608	
.....6DR76	2007-000074	R-CHIP;100ohm,5%,1/10W,TP,1608	6DR62	2007-000090	R-CHIP;10Kohm,5%,1/10W,TP,1608	
.....6DR88	2007-000074	R-CHIP;100ohm,5%,1/10W,TP,1608	6DR64	2007-000090	R-CHIP;10Kohm,5%,1/10W,TP,1608	
.....6ER01	2007-000074	R-CHIP;100ohm,5%,1/10W,TP,1608	6DR80	2007-000090	R-CHIP;10Kohm,5%,1/10W,TP,1608	
.....6ER02	2007-000074	R-CHIP;100ohm,5%,1/10W,TP,1608	6ER09	2007-000090	R-CHIP;10Kohm,5%,1/10W,TP,1608	
.....6ER03	2007-000074	R-CHIP;100ohm,5%,1/10W,TP,1608	6R912	2007-000090	R-CHIP;10Kohm,5%,1/10W,TP,1608	
.....6ER04	2007-000074	R-CHIP;100ohm,5%,1/10W,TP,1608	6R932	2007-000090	R-CHIP;10Kohm,5%,1/10W,TP,1608	
.....6ER05	2007-000074	R-CHIP;100ohm,5%,1/10W,TP,1608	6R935	2007-000090	R-CHIP;10Kohm,5%,1/10W,TP,1608	
.....6ER13	2007-000074	R-CHIP;100ohm,5%,1/10W,TP,1608	6R949	2007-000090	R-CHIP;10Kohm,5%,1/10W,TP,1608	
.....6ER16	2007-000074	R-CHIP;100ohm,5%,1/10W,TP,1608	6R956	2007-000090	R-CHIP;10Kohm,5%,1/10W,TP,1608	
.....6ER19	2007-000074	R-CHIP;100ohm,5%,1/10W,TP,1608	6R964	2007-000090	R-CHIP;10Kohm,5%,1/10W,TP,1608	
.....6ER20	2007-000074	R-CHIP;100ohm,5%,1/10W,TP,1608	6R965	2007-000090	R-CHIP;10Kohm,5%,1/10W,TP,1608	
.....6ER23	2007-000074	R-CHIP;100ohm,5%,1/10W,TP,1608	6RM03	2007-000090	R-CHIP;10Kohm,5%,1/10W,TP,1608	
.....6ER24	2007-000074	R-CHIP;100ohm,5%,1/10W,TP,1608	6DR24	2007-000092	R-CHIP;15Kohm,5%,1/10W,TP,1608	
.....6ER35	2007-000074	R-CHIP;100ohm,5%,1/10W,TP,1608	6ER08	2007-000093	R-CHIP;20Kohm,5%,1/10W,TP,1608	
.....6ER36	2007-000074	R-CHIP;100ohm,5%,1/10W,TP,1608	6DR82	2007-000094	R-CHIP;22Kohm,5%,1/10W,TP,1608	

Electric Parts List

Loc. No.	Code No.	Description ; Specification	Remark	Loc. No.	Code No.	Description ; Specification	Remark
.....6EC11	2203-005005	C-CER,CHIP;100nF,10%,16V,X7R,1608	6T0568	3301-001082	BEAD-SMD;60ohm,3225,1500mA,TP,43ohm/40MH	S.N.A
.....6EC12	2203-005005	C-CER,CHIP;100nF,10%,16V,X7R,1608	6T0568	3301-001082	BEAD-SMD;60ohm,3225,1500mA,TP,43ohm/40MH	S.N.A
.....6EC16	2203-005005	C-CER,CHIP;100nF,10%,16V,X7R,1608	6T0568	3301-001082	BEAD-SMD;60ohm,3225,1500mA,TP,43ohm/40MH	S.N.A
.....6EC24	2203-005005	C-CER,CHIP;100nF,10%,16V,X7R,1608	6T0568	3301-001082	BEAD-SMD;60ohm,3225,1500mA,TP,43ohm/40MH	S.N.A
.....6EC32	2203-005005	C-CER,CHIP;100nF,10%,16V,X7R,1608	6T0568	3301-001082	BEAD-SMD;60ohm,3225,1500mA,TP,43ohm/40MH	S.N.A
.....6EC33	2203-005005	C-CER,CHIP;100nF,10%,16V,X7R,1608	6T0568	3301-001082	BEAD-SMD;60ohm,3225,1500mA,TP,43ohm/40MH	S.N.A
.....6EC36	2203-005005	C-CER,CHIP;100nF,10%,16V,X7R,1608	6T0568	3301-001082	BEAD-SMD;60ohm,3225,1500mA,TP,43ohm/40MH	S.N.A
.....6EC40	2203-005005	C-CER,CHIP;100nF,10%,16V,X7R,1608	6T0568	3301-001324	BEAD-SMD;15ohm,2012,600mA,TP,,0.1ohm	S.N.A
.....6EC41	2203-005005	C-CER,CHIP;100nF,10%,16V,X7R,1608	6T0568	3301-001324	BEAD-SMD;15ohm,2012,600mA,TP,,0.1ohm	S.N.A
.....6EC43	2203-005005	C-CER,CHIP;100nF,10%,16V,X7R,1608	60	AA41-01005B	PCB DISPLAY;CS29M20.FR-4,4,A,160*190,S61	S.N.A
.....6EC46	2203-005005	C-CER,CHIP;100nF,10%,16V,X7R,1608	6	0202-001375	SOLDER-CREAM;RMA-20-21L,S63,Sn63/Pb36.	S.N.A
.....6EC52	2203-005005	C-CER,CHIP;100nF,10%,16V,X7R,1608	5 DC51	2301-000224	C-FILM,LEAD-PEF;22nF,5%,50V,TP,7.4x3.9x1	
.....6EC53	2203-005005	C-CER,CHIP;100nF,10%,16V,X7R,1608	5 M0018	AA97-15615A	ASSY MICOM,;S61A,ST M27W201,T_NGTPAS_102	
.....6EC54	2203-005005	C-CER,CHIP;100nF,10%,16V,X7R,1608	6IC902	1102-001133	IC-EPROM;M27W201-80B6,256KX8BIT,DIP,32P,	
.....6EC55	2203-005005	C-CER,CHIP;100nF,10%,16V,X7R,1608	5 PX01	2801-004019	CRYSTAL-UNIT;20.25MHz,30ppm,28-AAAM,13pF,	
.....6EC56	2203-005005	C-CER,CHIP;100nF,10%,16V,X7R,1608	4 Q804	AA96-00243G	ASSY HEAT SINK P,-;POWER,AA62-00045A,C20	S.N.A
.....6EC74	2203-005005	C-CER,CHIP;100nF,10%,16V,X7R,1608	5 T0522	0205-001153	GREASE-SILICON;SC102,JAPAN,-	S.N.A
.....6PC21	2203-005005	C-CER,CHIP;100nF,10%,16V,X7R,1608	5	0502-001007	TR-POWER;KSC2073-H2,NPN,25W,TO-220,ST.6	
.....6PC24	2203-005005	C-CER,CHIP;100nF,10%,16V,X7R,1608	5 M0081	6003-000335	SCREW-TAPTITE;RH,+,2S,M3,L8,ZPC(YEL),SWR	S.N.A
.....6PC25	2203-005005	C-CER,CHIP;100nF,10%,16V,X7R,1608	5 T0175	AA62-00045A	HEAT SINK-PS;-;T1.0,-,DREAM,-,-,-,-,	S.N.A
.....6PC42	2203-005005	C-CER,CHIP;100nF,10%,16V,X7R,1608		△.....4 D801S	AA96-00276C	ASSY HEAT SINK P,-;BRIDGE,AA62-00052A,G	S.N.A
.....6DC09	2402-000170	C-AL,SMD;1uF,20%,50V,GP,TP,4.3x4.3x5.4,	5 T0522	0205-001153	GREASE-SILICON;SC102,JAPAN,-	S.N.A
.....6PC17	2402-000170	C-AL,SMD;1uF,20%,50V,GP,TP,4.3x4.3x5.4,	5	0402-001399	DIODE-BRIDGE;GSIB660,600V,6A,SIP-4,BK	
.....6C912	2402-000173	C-AL,SMD;4.7uF,20%,35V,GP,TP,4.3x4.3x5.	5 M0081	6003-000335	SCREW-TAPTITE;RH,+,2S,M3,L8,ZPC(YEL),SWR	S.N.A
.....6CM23	2402-000173	C-AL,SMD;4.7uF,20%,35V,GP,TP,4.3x4.3x5.	5 T0063	AA60-30003A	WASHER;T1.5,SBHG-1,	S.N.A
.....6DC06	2402-000173	C-AL,SMD;4.7uF,20%,35V,GP,TP,4.3x4.3x5.	5 T0175	AA62-00052A	HEAT SINK-PS;-;T2.0,SILVER,HOLE 18.5mm, 2	S.N.A
.....6DC23	2402-000173	C-AL,SMD;4.7uF,20%,35V,GP,TP,4.3x4.3x5.	4 HC401	AA96-00310B	ASSY HEAT SINK P;SCREW,PLATE,AA62-00062A	S.N.A
.....6DC49	2402-000179	C-AL,SMD;47uF,20%,16V,GP,TP,6.6x6.6x5.4	5 CIS1	0205-001154	OIL-SILICON;G746,-,-	S.N.A
.....6EC47	2402-000179	C-AL,SMD;47uF,20%,16V,GP,TP,6.6x6.6x5.4	5 CIS	0402-001296	DIODE-RECTIFIER;FMP-3FU,1.5KV,5A,DO-201A	
.....6PC09	2402-000179	C-AL,SMD;47uF,20%,16V,GP,TP,6.6x6.6x5.4	5 CIS	0502-001230	TR-POWER;FJL6920YDTU,N,200000MW,TO-264 F	
.....6PC27	2402-000179	C-AL,SMD;47uF,20%,16V,GP,TP,6.6x6.6x5.4	5 M0081	6003-000333	SCREW-TAPTITE;RH,+,2S,M3,L10,ZPC(YEL),SW	S.N.A
.....6PC41	2402-000179	C-AL,SMD;47uF,20%,16V,GP,TP,6.6x6.6x5.4	5 T0105	AA60-30001A	WASHER-PLATE;M3,ID3.5,15X8.5,T1.0,SBHG	S.N.A
.....6PC43	2402-000179	C-AL,SMD;47uF,20%,16V,GP,TP,6.6x6.6x5.4	5 T0175	AA62-00062A	HEAT SINK-PS;-;T2.0,SILVER,-,-,-,-,108	S.N.A
.....6PC20	2402-001019	C-AL,SMD;2.2uF,20%,35V,GP,TP,3.3x3.3x5.	5 T0239	BH73-00028A	SILICON/RUBBER-HS;CDT ALL,SILICON,26*33*	S.N.A
.....6PC23	2402-001019	C-AL,SMD;2.2uF,20%,35V,GP,TP,3.3x3.3x5.	4 HC801	AA96-00475K	ASSY HEAT SINK P;SCREW,AA62-00066B,FMG-G	S.N.A
.....6CM12	2402-001042	C-AL,SMD;100uF,20%,16V,GP,TP,6.6x6.6x5.4	5 CIS1	0205-001154	OIL-SILICON;G746,-,-	S.N.A
.....6CM24	2402-001042	C-AL,SMD;100uF,20%,16V,GP,TP,6.6x6.6x5.4	5 H/S	0402-000233	DIODE-RECTIFIER;FML-G12S,200V,5A,-,-	
.....6CM26	2402-001042	C-AL,SMD;100uF,20%,16V,GP,TP,6.6x6.6x5.4	5 H/S	0402-001230	DIODE-RECTIFIER;FMG-G2CS,1000V,3A,DO-41,	
.....6DC04	2402-001042	C-AL,SMD;100uF,20%,16V,GP,TP,6.6x6.6x5.4	5 M0081	6003-000334	SCREW-TAPTITE;RH,+,2S,M3,L6,ZPC(YEL),SWR	S.N.A
.....6DC12	2402-001042	C-AL,SMD;100uF,20%,16V,GP,TP,6.6x6.6x5.4	5 H/S	AA62-00066B	HEAT SINK;D2,D3,AL,T1.0,89,70,-,AA62-00	S.N.A
.....6DC13	2402-001042	C-AL,SMD;100uF,20%,16V,GP,TP,6.6x6.6x5.4	5 T0087	1203-002587	IC-POSIFIXED REG.;KA278R05TU,TO-220,4P,	
.....6DC24	2402-001042	C-AL,SMD;100uF,20%,16V,GP,TP,6.6x6.6x5.4	4 IC602	AA96-02371A	ASSY HEAT SINK P;AA62-30181S,SCREW,TDA72	S.N.A
.....6DC30	2402-001042	C-AL,SMD;100uF,20%,16V,GP,TP,6.6x6.6x5.4	5 CIS1	0205-001154	OIL-SILICON;G746,-,-	S.N.A
.....6DC43	2402-001042	C-AL,SMD;100uF,20%,16V,GP,TP,6.6x6.6x5.4	5 T0085	1201-002118	IC-AUDIO AMP;TDA7297SA,ZIP,15P,-,DUAL,32	
.....6EC42	2402-001042	C-AL,SMD;100uF,20%,16V,GP,TP,6.6x6.6x5.4	5 M0081	6003-000335	SCREW-TAPTITE;RH,+,2S,M3,L8,ZPC(YEL),SWR	S.N.A
.....6PC29	2402-001042	C-AL,SMD;100uF,20%,16V,GP,TP,6.6x6.6x5.4	5 T0607	AA61-01390A	BRACKET-IC;CT-29A20HR,SECC,T1.0	S.N.A
.....6C904	2402-000176	C-AL,SMD;10uF,20%,16V,GP,TP,4.3x4.3x5.4	5 T0066	AA62-30181S	HEAT SINK-ES;CS29K10PF,A6063S,T2.0,26,2,	S.N.A
.....6CM14	2402-000176	C-AL,SMD;10uF,20%,16V,GP,TP,4.3x4.3x5.4		△.....4 IC801S	AA96-50371H	ASSY HEAT SINK P,-;SMPS,AA62-30181H,5Q15	S.N.A
.....6DC21	2402-000176	C-AL,SMD;10uF,20%,16V,GP,TP,4.3x4.3x5.4	5 T0522	0205-001153	GREASE-SILICON;SC102,JAPAN,-	S.N.A
.....6KA39	2402-000176	C-AL,SMD;10uF,20%,16V,GP,TP,4.3x4.3x5.4	5 T0086	1203-002512	IC-PWM CONTROLLER;KA5Q1565RF-YDTU,TO-3PF	
.....6DC50	2402-000176	C-AL,SMD;10uF,20%,16V,GP,TP,4.3x4.3x5.4	5 M0081	6003-000333	SCREW-TAPTITE;RH,+,2S,M3,L10,ZPC(YEL),SW	S.N.A
.....6DC52	2402-000176	C-AL,SMD;10uF,20%,16V,GP,TP,4.3x4.3x5.4	5 T0066	AA62-30181H	HEAT SINK-ES,-,AL6063 EXTR.,2,WHT,50MM,-,	S.N.A
.....6EC50	2402-000176	C-AL,SMD;10uF,20%,16V,GP,TP,4.3x4.3x5.4	5	AA61-11028A	BRACKET;-;SECC,T1.0,-,-,-,-,	S.N.A
.....6EC51	2402-000176	C-AL,SMD;10uF,20%,16V,GP,TP,4.3x4.3x5.4	4 IC301	AA96-50381A	ASSY HEAT SINK P;AA62-30180B,LA7845	S.N.A
.....6EC57	2402-000176	C-AL,SMD;10uF,20%,16V,GP,TP,4.3x4.3x5.4	5 T0522	0205-001153	GREASE-SILICON;SC102,JAPAN,-	S.N.A
.....6EC60	2402-000176	C-AL,SMD;10uF,20%,16V,GP,TP,4.3x4.3x5.4	5 T0088	1204-000517	IC-VERTICAL DEF.;LA7845,SIP,7P,-,PLASTIC	
.....6EC73	2402-000176	C-AL,SMD;10uF,20%,16V,GP,TP,4.3x4.3x5.4	5 M0081	6003-000333	SCREW-TAPTITE;RH,+,2S,M3,L10,ZPC(YEL),SW	S.N.A
.....6EC48	2402-001221	C-AL,SMD;470UF,20%,16V,-,TP,A8.3XB8.3XL1	5 T0066	AA62-30180B	HEAT SINK-ES;-A6063 EXTR.,2,WHT,70MM,-,	S.N.A
.....6EC49	2402-001221	C-AL,SMD;470UF,20%,16V,-,TP,A8.3XB8.3XL1	4 M0014	AA97-15306A	ASSY AUTO-MAIN;CS29M20SPNXNWT,S61A,NET	S.N.A
.....6T0052	2703-000398	INDUCTOR-SMD;10uH,10%,3225	5 D201	0401-000005	DIODE-SWITCHING;1N4148,75V,150MA,DO-35,T	
.....6T0052	2703-000398	INDUCTOR-SMD;10uH,10%,3225	5 D302	0401-000005	DIODE-SWITCHING;1N4148,75V,150MA,DO-35,T	
.....6T0052	2703-000398	INDUCTOR-SMD;10uH,10%,3225	5 D405	0401-000005	DIODE-SWITCHING;1N4148,75V,150MA,DO-35,T	
.....6T0052	2703-000398	INDUCTOR-SMD;10uH,10%,3225	5 D408	0401-000005	DIODE-SWITCHING;1N4148,75V,150MA,DO-35,T	
.....6T0052	2703-000398	INDUCTOR-SMD;10uH,10%,3225	5 D409	0401-000005	DIODE-SWITCHING;1N4148,75V,150MA,DO-35,T	
.....6T0052	2703-001070	INDUCTOR-SMD;100uH,10%,4532	5 D604	0401-000005	DIODE-SWITCHING;1N4148,75V,150MA,DO-35,T	
.....6T0052	2703-001229	INDUCTOR-SMD;2.2uH,10%,1608	5 D805	0401-000005	DIODE-SWITCHING;1N4148,75V,150MA,DO-35,T	
.....6T0052	2703-001229	INDUCTOR-SMD;2.2uH,10%,1608	5 DZ402	0401-000005	DIODE-SWITCHING;1N4148,75V,150MA,DO-35,T	
.....6T0052	2703-001229	INDUCTOR-SMD;2.2uH,10%,1608	5 D403	0402-000132	DIODE-RECTIFIER;1N4004,400V,1A,DO-41,TP	
.....6T0052	2703-001229	INDUCTOR-SMD;2.2uH,10%,1608	5 D406	0402-000132	DIODE-RECTIFIER;1N4004,400V,1A,DO-41,TP	
.....6T0052	2703-001229	INDUCTOR-SMD;2.2uH,10%,1608	5 D603	0402-000132	DIODE-RECTIFIER;1N4004,400V,1A,DO-41,TP	
.....6T0052	2703-001229	INDUCTOR-SMD;2.2uH,10%,1608	5 D807	0402-000132	DIODE-RECTIFIER;1N4004,400V,1A,DO-41,TP	
.....6T0052	2703-001229	INDUCTOR-SMD;2.2uH,10%,1608	5 D301	0402-000493	DIODE-RECTIFIER;1R5GU41,400V,1.5A,DO-15L	
.....6EX01	2801-004004	CRYSTAL-SMD;20.25MHz,20ppm,28-AAAN,13pF,2	5 D401	0402-000493	DIODE-RECTIFIER;1R5GU41,400V,1.5A,DO-15L	
.....6XM01	2801-004117	CRYSTAL-SMD;6MHZ,30PPM,28-ABX,20PF,150OH	5 D402	0402-000534	DIODE-RECTIFIER;RG10V,400V,1.2A,DO-201,T	
.....6T0568	3301-001082	BEAD-SMD;60ohm,3225,1500mA,TP,43ohm/40MH	S.N.A5 D404	0402-000534	DIODE-RECTIFIER;RG10V,400V,1.2A,DO-201,T	
.....6T0568	3301-001082	BEAD-SMD;60ohm,3225,1500mA,TP,43ohm/40MH	S.N.A5 D407	0402-000534	DIODE-RECTIFIER;RG10V,400V,1.2A,DO-201,T	
.....6T0568	3301-001082	BEAD-SMD;60ohm,3225,1500mA,TP,43ohm/40MH	S.N.A5 D410	0402-000534	DIODE-RECTIFIER;RG10V,400V,1.2A,DO-201,T	

Loc. No.	Code No.	Description ; Specification	Remark	Loc. No.	Code No.	Description ; Specification	Remark
.....5	D803	0402-000546	DIODE-RECTIFIER;TVR10G,400V,1.0A,DO-41,T5	R603	2001-000429	R-CARBON;1KOHM,5%,1/8W,AA,TP,1.8X3.2MM
.....5	D804	0402-000546	DIODE-RECTIFIER;TVR10G,400V,1.0A,DO-41,T5	R816	2001-000429	R-CARBON;1KOHM,5%,1/8W,AA,TP,1.8X3.2MM
.....5	D808	0402-000546	DIODE-RECTIFIER;TVR10G,400V,1.0A,DO-41,T5	R817	2001-000429	R-CARBON;1KOHM,5%,1/8W,AA,TP,1.8X3.2MM
.....5	DZ403	0403-000508	DIODE-ZENER;MTZJ5.6B,5.45-5.73V,500MW,DO5	R908	2001-000429	R-CARBON;1KOHM,5%,1/8W,AA,TP,1.8X3.2MM
.....5	DZ404	0403-000508	DIODE-ZENER;MTZJ5.6B,5.45-5.73V,500MW,DO5	R404	2001-000449	R-CARBON;2.2KOHM,5%,1/8W,AA,TP,1.8X3.2MM
.....5	DZ601	0403-000508	DIODE-ZENER;MTZJ5.6B,5.45-5.73V,500MW,DO5	R833	2001-000449	R-CARBON;2.2KOHM,5%,1/8W,AA,TP,1.8X3.2MM
.....5	DZ603	0403-000508	DIODE-ZENER;MTZJ5.6B,5.45-5.73V,500MW,DO5	R823	2001-000522	R-CARBON;22KOHM,5%,1/8W,AA,TP,1.8X3.2MM
.....5	DZ604	0403-000508	DIODE-ZENER;MTZJ5.6B,5.45-5.73V,500MW,DO5	R843	2001-000522	R-CARBON;22KOHM,5%,1/8W,AA,TP,1.8X3.2MM
.....5	DZ807	0403-000508	DIODE-ZENER;MTZJ5.6B,5.45-5.73V,500MW,DO5	R313	2001-000577	R-CARBON;2KOHM,5%,1/8W,AA,TP,1.8X3.2MM
.....5	DZ305	0403-000700	DIODE-ZENER;TZP33A,5%,1000MW,DO-41,TP5	R314	2001-000577	R-CARBON;2KOHM,5%,1/8W,AA,TP,1.8X3.2MM
.....5	DZ804	0403-000700	DIODE-ZENER;TZP33A,5%,1000MW,DO-41,TP5	R104	2001-000702	R-CARBON;39KOHM,5%,1/8W,AA,TP,1.8X3.2MM
.....5	DZ806	0403-000700	DIODE-ZENER;TZP33A,5%,1000MW,DO-41,TP5	R703	2001-000702	R-CARBON;39KOHM,5%,1/8W,AA,TP,1.8X3.2MM
.....5	DZ805	0403-000714	DIODE-ZENER;MTZJ3.3B,3.32-3.53V,500MW,DO5	R704	2001-000702	R-CARBON;39KOHM,5%,1/8W,AA,TP,1.8X3.2MM
.....5	DZ901	0403-000714	DIODE-ZENER;MTZJ3.3B,3.32-3.53V,500MW,DO5	R623	2001-000734	R-CARBON;4.7KOHM,5%,1/8W,AA,TP,1.8X3.2MM
.....5	DZ802	0403-000716	DIODE-ZENER;MTZJ4.7B,4.59-4.77V,500MW,DO5	R842	2001-000734	R-CARBON;4.7KOHM,5%,1/8W,AA,TP,1.8X3.2MM
.....5	DZ303	0403-001221	DIODE-ZENER;UZ39BSB,35.36-37.19V,500MW,DO5	R607	2001-000780	R-CARBON;470OHM,5%,1/8W,AA,TP,1.8X3.2MM
.....5	DZ602	0403-001322	DIODE-ZENER;MTZJ8.2B,7.78-8.19V,500MW,DO5	R608	2001-000780	R-CARBON;470OHM,5%,1/8W,AA,TP,1.8X3.2MM
.....5	DZ801	0403-001322	DIODE-ZENER;MTZJ8.2B,7.78-8.19V,500MW,DO5	R609	2001-000780	R-CARBON;470OHM,5%,1/8W,AA,TP,1.8X3.2MM
.....5	DZ401	0403-001325	DIODE-ZENER;MTZJ15C,14.42-15.02V,500MW,D5	R614	2001-000780	R-CARBON;470OHM,5%,1/8W,AA,TP,1.8X3.2MM
.....5	DZ407	0403-001325	DIODE-ZENER;MTZJ15C,14.42-15.02V,500MW,D5	R615	2001-000780	R-CARBON;470OHM,5%,1/8W,AA,TP,1.8X3.2MM
.....5	DZ803	0403-001327	DIODE-ZENER;MTZJ18A,16.22-17.06V,500MW,D5	R616	2001-000780	R-CARBON;470OHM,5%,1/8W,AA,TP,1.8X3.2MM
.....5	DZ301	0403-001329	DIODE-ZENER;MTZJ24B,22.75-23.73V,500MW,D5	R812	2001-000780	R-CARBON;470OHM,5%,1/8W,AA,TP,1.8X3.2MM
.....5	DZ302	0403-001329	DIODE-ZENER;MTZJ24B,22.75-23.73V,500MW,D5	R813	2001-000780	R-CARBON;470OHM,5%,1/8W,AA,TP,1.8X3.2MM
.....5	DZ304	0403-001329	DIODE-ZENER;MTZJ24B,22.75-23.73V,500MW,D5	R108	2001-000786	R-CARBON;47KOHM,5%,1/8W,AA,TP,1.8X3.2MM
.....5	DZ306	0403-001330	DIODE-ZENER;MTZJ30A,26.99-28.39V,500MW,D5	R109	2001-000786	R-CARBON;47KOHM,5%,1/8W,AA,TP,1.8X3.2MM
.....5	Q802	0501-000369	TR-SMALL SIGNAL;KSC2331-Y,NPN,1000mW,TO-5	R841	2001-000800	R-CARBON;5.1KOHM,5%,1/8W,AA,TP,1.8X3.2MM
.....5	Q101	0501-000389	TR-SMALL SIGNAL;KSC815,NPN,400mW,TO-92,T5	R105	2001-000864	R-CARBON;56KOHM,5%,1/8W,AA,TP,1.8X3.2MM
.....5	Q603	0501-000389	TR-SMALL SIGNAL;KSC815,NPN,400mW,TO-92,T5	R824	2001-000864	R-CARBON;56KOHM,5%,1/8W,AA,TP,1.8X3.2MM
.....5	Q604	0501-000389	TR-SMALL SIGNAL;KSC815,NPN,400mW,TO-92,T5	R646	2001-001015	R-CARBON;9.1KOHM,5%,1/8W,AA,TP,1.8X3.2MM
.....5	Q801	0501-000389	TR-SMALL SIGNAL;KSC815,NPN,400mW,TO-92,T5	R647	2001-001015	R-CARBON;9.1KOHM,5%,1/8W,AA,TP,1.8X3.2MM
.....5	Q803	0501-000389	TR-SMALL SIGNAL;KSC815,NPN,400mW,TO-92,T5	R427	2001-001088	R-CARBON(S);1KOHM,5%,1/2W,AA,TP,2.4X6.4M
.....5	Q409	0505-000109	FET-SILICON;2N7000,N,60V,200mA,5ohm,400m5	R820	2001-001096	R-CARBON(S);2.2OHM,5%,1/2W,AA,TP,2.4X6.4
.....5	Q409	0505-001723	FET-SILICON;FQP630TSTU,N,200V,9A,0.4OHM,5	R807	2001-001103	R-CARBON(S);300OHM,5%,1/2W,AA,TP,2.4X6.4
.....5	T0087	1203-000243	IC-POSI.FIXED REG.;7812,TO-220,3P,-,PLAS5	R433	2001-001114	R-CARBON(S);270OHM,5%,1/2W,AA,TP,2.4X6.4
.....5	IC012	1203-001217	IC-POSI.ADJ.UST REG.;431,TO-92,3P,4.58MIL5	R901	2001-001126	R-CARBON(S);300OHM,5%,1/2W,AA,TP,2.4X6.4
.....5	T0087	1203-001944	IC-POSI.FIXED REG.;78RM33,TO-220,3P,-,PL5	R315	2001-001129	R-CARBON(S);300KOHM,5%,1/2W,AA,TP,2.4X6.4
.....5	VP801S	1405-000187	VARISTOR;750V,1250A,12.5x7mm,TP5	R818	2001-001131	R-CARBON(S);33KOHM,5%,1/2W,AA,TP,2.4X6.4
.....5	VX801S	1405-000187	VARISTOR;750V,1250A,12.5x7mm,TP5	R805	2001-001150	R-CARBON(S);470KOHM,5%,1/2W,AA,TP,2.4X6.4
.....5	R303	2001-000016	R-CARBON(S);10HM,5%,1/2W,AA,TP,2.4X6.4MM5	R806	2001-001150	R-CARBON(S);470KOHM,5%,1/2W,AA,TP,2.4X6.4
.....5	L602	2001-000019	R-CARBON(S);100HM,5%,1/2W,AA,TP,2.4X6.4M5	R429	2001-001155	R-CARBON(S);5.6KOHM,5%,1/2W,AA,TP,2.4X6.4
.....5	R801	2001-000019	R-CARBON(S);100HM,5%,1/2W,AA,TP,2.4X6.4M5	R811	2001-001155	R-CARBON(S);5.6KOHM,5%,1/2W,AA,TP,2.4X6.4
.....5	R408	2001-000028	R-CARBON(S);100OHM,5%,1/2W,AA,TP,2.4X6.45	R301	2001-001163	R-CARBON(S);560OHM,5%,1/2W,AA,TP,2.4X6.4
.....5	R316	2001-000066	R-CARBON(S);10KOHM,5%,1/2W,AA,TP,2.4X6.45	R413	2001-001163	R-CARBON(S);560OHM,5%,1/2W,AA,TP,2.4X6.4
.....5	R426	2001-000085	R-CARBON(S);100KOHM,5%,1/2W,AA,TP,2.4X6.45	R808	2001-001178	R-CARBON(S);680OHM,5%,1/2W,AA,TP,2.4X6.4
.....5	R810	2001-000109	R-CARBON(S);470OHM,5%,1/2W,AA,TP,2.4X6.45	RX801S	2002-000133	R-COMPOSITION;3.3Mohm,5%,1/2W,AA,TP,3.5x
.....5	R822	2001-000273	R-CARBON(S);10KOHM,5%,1/8W,AA,TP,1.8X3.2MM5	RY801S	2002-001012	R-COMPOSITION;8.2Mohm,5%,1/2W,AA,TP,3.7x
.....5	R113	2001-000281	R-CARBON;100OHM,5%,1/8W,AA,TP,1.8X3.2MM5	R403	2003-000493	R-METAL OXIDE(S);12ohm,5%,2W,AF,TP,4x12m
.....5	R450	2001-000281	R-CARBON;100OHM,5%,1/8W,AA,TP,1.8X3.2MM5	R409	2003-000493	R-METAL OXIDE(S);12ohm,5%,2W,AF,TP,4x12m
.....5	R451	2001-000281	R-CARBON;100OHM,5%,1/8W,AA,TP,1.8X3.2MM5	R802	2003-000586	R-METAL OXIDE(S);22Kohm,5%,2W,AF,TP,4x12
.....5	R604	2001-000281	R-CARBON;100OHM,5%,1/8W,AA,TP,1.8X3.2MM5	R803	2003-000586	R-METAL OXIDE(S);22Kohm,5%,2W,AF,TP,4x12
.....5	R605	2001-000281	R-CARBON;100OHM,5%,1/8W,AA,TP,1.8X3.2MM5	R804	2003-000586	R-METAL OXIDE(S);22Kohm,5%,2W,AF,TP,4x12
.....5	R610	2001-000281	R-CARBON;100OHM,5%,1/8W,AA,TP,1.8X3.2MM5	R406	2003-000998	R-METAL OXIDE;300ohm,5%,2W,AF,TP,3.9x10m
.....5	R611	2001-000281	R-CARBON;100OHM,5%,1/8W,AA,TP,1.8X3.2MM5	R407	2003-000998	R-METAL OXIDE;300ohm,5%,2W,AF,TP,3.9x10m
.....5	R612	2001-000281	R-CARBON;100OHM,5%,1/8W,AA,TP,1.8X3.2MM5	R441	2003-001025	R-METAL OXIDE(S);15Kohm,5%,2W,AF,TP,3.9x
.....5	R613	2001-000281	R-CARBON;100OHM,5%,1/8W,AA,TP,1.8X3.2MM5	R402	2003-001090	R-METAL OXIDE(S);10Kohm,5%,2W,AF,TP,4x12
.....5	R902	2001-000281	R-CARBON;100OHM,5%,1/8W,AA,TP,1.8X3.2MM5	R401	2003-001093	R-METAL OXIDE(S);12Kohm,5%,2W,AF,TP,3.9x
.....5	R905	2001-000281	R-CARBON;100OHM,5%,1/8W,AA,TP,1.8X3.2MM5	L804	2003-002064	R-METAL OXIDE(S);7.5OHM,5%,2W,AF,TP,3.9X
.....5	R906	2001-000281	R-CARBON;100OHM,5%,1/8W,AA,TP,1.8X3.2MM5	R428	2003-002064	R-METAL OXIDE(S);7.5OHM,5%,2W,AF,TP,3.9X
.....5	R907	2001-000281	R-CARBON;100OHM,5%,1/8W,AA,TP,1.8X3.2MM5	R421	2003-002071	R-METAL OXIDE;560ohm,5%,2W,AF,TP,3.9x10m
.....5	R909	2001-000281	R-CARBON;100OHM,5%,1/8W,AA,TP,1.8X3.2MM5	R830	2003-002157	R-METAL OXIDE;220OHM,5%,2W,AG,TP,6.16MM
.....5	R910	2001-000281	R-CARBON;100OHM,5%,1/8W,AA,TP,1.8X3.2MM5	R440	2003-002181	R-METAL OXIDE(S);68Kohm,5%,2W,AG,TP,3.9x
.....5	R911	2001-000281	R-CARBON;100OHM,5%,1/8W,AA,TP,1.8X3.2MM5	R307	2003-002205	R-METAL OXIDE(S);330ohm,5%,2W,AG,TP,3.9X
.....5	R309	2001-000290	R-CARBON;10KOHM,5%,1/8W,AA,TP,1.8X3.2MM5	R422	2004-000698	R-METAL;3.3Kohm,1%,1/4W,AA,TP,2.4x6.4m
.....5	R310	2001-000290	R-CARBON;10KOHM,5%,1/8W,AA,TP,1.8X3.2MM5	R302	2004-001369	R-METAL(S);1.2Kohm,1%,1/2W,AA,TP,2.4x6.4
.....5	R606	2001-000290	R-CARBON;10KOHM,5%,1/8W,AA,TP,1.8X3.2MM5	R308	2004-001369	R-METAL(S);1.2Kohm,1%,1/2W,AA,TP,2.4x6.4
.....5	R618	2001-000290	R-CARBON;10KOHM,5%,1/8W,AA,TP,1.8X3.2MM5	R432	2004-001371	R-METAL(S);1.5Kohm,1%,1/2W,AA,TP,2.4x6.4
.....5	R626	2001-000290	R-CARBON;10KOHM,5%,1/8W,AA,TP,1.8X3.2MM5	RR430S	2004-001390	R-METAL(S);1Kohm,2%,1/2W,AA,TP,2.4x6.4mm
.....5	R627	2001-000290	R-CARBON;10KOHM,5%,1/8W,AA,TP,1.8X3.2MM5	R821	2004-001891	R-METAL(S);133Kohm,1%,1/2W,AA,TP,2.5x6.5
.....5	R633	2001-000290	R-CARBON;10KOHM,5%,1/8W,AA,TP,1.8X3.2MM5	R415	2004-001983	R-METAL(S);2.49Kohm,1%,1/2W,AA,TP,2.4x6.
.....5	R636	2001-000290	R-CARBON;10KOHM,5%,1/8W,AA,TP,1.8X3.2MM5	R819	2004-001983	R-METAL(S);2.49Kohm,1%,1/2W,AA,TP,2.4x6.
.....5	R701	2001-000290	R-CARBON;10KOHM,5%,1/8W,AA,TP,1.8X3.2MM5	R418	2004-001987	R-METAL(S);4.3Kohm,1%,1/2W,AA,TP,2.4x6.4
.....5	R702	2001-000290	R-CARBON;10KOHM,5%,1/8W,AA,TP,1.8X3.2MM5	R412	2004-004072	R-METAL(S);3Kohm,1%,1/2W,AA,TP,2.5x6.5mm
.....5	R903	2001-000302	R-CARBON;10OHM,5%,1/8W,AA,TP,1.8X3.2MM5	R304	2004-004087	R-METAL(S);1.5ohm,1%,1/2W,AA,TP,2.5x6.5m
.....5	R904	2001-000302	R-CARBON;10OHM,5%,1/8W,AA,TP,1.8X3.2MM5	R305	2004-004088	R-METAL(S);1ohm,1%,1/2W,AA,TP,2.5x6.5mm
.....5	R110	2001-000429	R-CARBON;1KOHM,5%,1/8W,AA,TP,1.8X3.2MM5	R423	2004-005059	R-METAL(S);2.7KOHM,1%,1/2W,AA,TP,6.4X2.4
.....5	R414	2001-000429	R-CARBON;1KOHM,5%,1/8W,AA,TP,1.8X3.2MM5	R424	2004-005059	R-METAL(S);2.7KOHM,1%,1/2W,AA,TP,6.4X2.4
.....5	R416	2001-000429	R-CARBON;1KOHM,5%,1/8W,AA,TP,1.8X3.2MM5	R411	2008-000253	R-FUSIBLE(S);0.47ohm,5%,1W,AF,TP,3.9x10m

Electric Parts List

Loc. No.	Code No.	Description ; Specification	Remark	Loc. No.	Code No.	Description ; Specification	Remark
.....5 R410	2008-001018	R-FUSIBLE(S);0.47ohm,10%,2W,AF,TP,3.9x10	5 C843	2305-000665	C-FILM,LEAD-PEF;100nF,5%,63V,TP,7.5x4.0x	
.....5 R828	2008-001088	R-FUSIBLE(S);1ohm,5%,2W,AG,TP,3.9x12mm	5 C844	2305-000665	C-FILM,LEAD-PEF;100nF,5%,63V,TP,7.5x4.0x	
.....5 R419	2008-001109	R-FUSIBLE(S);0.18ohm,10%,2W,AG,TP,3.9x12	5 C102	2401-000025	C-AL;100uF,20%,16V,GP,TP,6.3x11,5	
.....5 R420	2008-001109	R-FUSIBLE(S);0.18ohm,10%,2W,AG,TP,3.9x12	5 C902	2401-000025	C-AL;100uF,20%,16V,GP,TP,6.3x11,5	
.....5 R452	2008-001109	R-FUSIBLE(S);0.18ohm,10%,2W,AG,TP,3.9x12	5 C204	2401-000050	C-AL;10uF,20%,16V,GP,TP,5x11,2.5	
.....5 R829	2008-001137	R-FUSIBLE(S);3.3ohm,5%,1W,AF,TP,3.9x10mm	5 C205	2401-000050	C-AL;10uF,20%,16V,GP,TP,5x11,2.5	
.....5 C302	2201-000192	C-CERAMIC,DISC;0.01nF,0.25PF,500V,C0G,TP	5 C603	2401-000050	C-AL;10uF,20%,16V,GP,TP,5x11,2.5	
.....5 C645	2201-000304	C-CERAMIC,DISC;0.001nF,0.25PF,50V,C0G,TP	5 C622	2401-000050	C-AL;10uF,20%,16V,GP,TP,5x11,2.5	
.....5 C646	2201-000304	C-CERAMIC,DISC;0.001nF,0.25PF,50V,C0G,TP	5 C623	2401-000050	C-AL;10uF,20%,16V,GP,TP,5x11,2.5	
.....5 C804	2201-000332	C-CERAMIC,DISC;2.2NF,20%,250V,Y5U,TP,9X4	5 C636	2401-000050	C-AL;10uF,20%,16V,GP,TP,5x11,2.5	
.....5 C805	2201-000332	C-CERAMIC,DISC;2.2NF,20%,250V,Y5U,TP,9X4	5 C641	2401-000050	C-AL;10uF,20%,16V,GP,TP,5x11,2.5	
.....5 C624	2201-000370	C-CERAMIC,DISC;0.22NF,10%,50V,Y5P,TP,4X3	5 C801	2401-000287	C-AL;100uF,20%,16V,WT,TP,6.3x11,5	
.....5 C828	2201-000374	C-CERAMIC,DISC;0.22NF,5%,50V,C0G,TP,10.5	5 C626	2401-000302	C-AL;100uF,20%,25V,GP,TP,6.3x11,5	
.....5 C401	2201-000556	C-CERAMIC,DISC;0.47NF,10%,500V,Y5P,TP,5.	5 C301	2401-000365	C-AL;100uF,20%,50V,WT,TP,10x12.5mm,	
.....5 C403	2201-000556	C-CERAMIC,DISC;0.47NF,10%,500V,Y5P,TP,5.	5 C306	2401-000365	C-AL;100uF,20%,50V,WT,TP,10x12.5mm,	
.....5 C419	2201-000556	C-CERAMIC,DISC;0.47NF,10%,500V,Y5P,TP,5.	5 C106	2401-000480	C-AL;10uF,20%,50V,GP,TP,5x11,5	
.....5 C601	2201-000558	C-CERAMIC,DISC;0.47NF,10%,50V,Y5P,TP,5X3	5 C111	2401-000480	C-AL;10uF,20%,50V,GP,TP,5x11,5	
.....5 C817	2201-000599	C-CERAMIC,DISC;0.56NF,10%,500V,Y5P,TP,5.	5 C411	2401-000493	C-AL;10uF,20%,50V,LZ,TP,5x11mm,5mm	
.....5 C819	2201-000599	C-CERAMIC,DISC;0.56NF,10%,500V,Y5P,TP,5.	5 C832	2401-000493	C-AL;10uF,20%,50V,LZ,TP,5x11mm,5mm	
.....5 C822	2201-000599	C-CERAMIC,DISC;0.56NF,10%,500V,Y5P,TP,5.	5 C604	2401-000603	C-AL;1uF,20%,50V,GP,TP,5X11,2	
.....5 C409	2201-000600	C-CERAMIC,DISC;0.56NF,10%,50V,Y5P,TP,5X3	5 C841	2401-000611	C-AL;1uF,20%,50V,WT,TP,5x11,5	
.....5 C643	2201-000611	C-CERAMIC,DISC;0.056nF,5%,50V,C0G,TP,7X3	5 C818	2401-000689	C-AL;2200uF,20%,16V,GP,TP,13x25,5	
.....5 C429	2201-000639	C-CERAMIC,DISC;0.68NF,10%,2KV,Y5P,TP,9X5	5 C835	2401-000689	C-AL;2200uF,20%,25V,GP,TP,13x25,5	
.....5 C422	2201-000930	C-CERAMIC,DISC;0.22NF,10%,500V,Y5P,TP,5.	5 C820	2401-000703	C-AL;2200uF,20%,25V,GP,-,12.5x25mm,	
.....5 C109	2202-000121	C-CERAMIC,MLC-AXIAL;100pF,10%,50V,Y5P,TP	5 C412	2401-000832	C-AL;220uF,20%,25V,GP,TP,8x11.5,5	
.....5 C110	2202-000121	C-CERAMIC,MLC-AXIAL;100pF,10%,50V,Y5P,TP	5 C416	2401-000832	C-AL;220uF,20%,25V,GP,TP,8x11.5,5	
.....5 C903	2202-000127	C-CERAMIC,MLC-AXIAL;10nF,+80-20%,25V,Y5V	5 C602	2401-001026	C-AL;3.3UF,20%,50V,GP,TP,5X11,5	
.....5 C113	2202-000216	C-CERAMIC,MLC-AXIAL;0.027NF,5%,50V,SL,TP	5 C117	2401-001363	C-AL;470uF,20%,16V,GP,TP,10x12,5,5	
.....5 C114	2202-000216	C-CERAMIC,MLC-AXIAL;0.027NF,5%,50V,SL,TP	5 C402	2401-001397	C-AL;470uF,20%,25V,GP,TP,10x16,5	
.....5 C615	2202-000231	C-CERAMIC,MLC-AXIAL;0.33NF,10%,50V,Y5P,TP	5 C823	2401-001513	C-AL;47uF,20%,50V,WT,TP,5X11,5	
.....5 C616	2202-000231	C-CERAMIC,MLC-AXIAL;0.33NF,10%,50V,Y5P,TP	5 C838	2401-001513	C-AL;47uF,20%,16V,WT,TP,5x11,5	
.....5 C619	2202-000231	C-CERAMIC,MLC-AXIAL;0.33NF,10%,50V,Y5P,TP	5 C840	2401-001513	C-AL;47uF,20%,16V,WT,TP,5x11,5	
.....5 C621	2202-000231	C-CERAMIC,MLC-AXIAL;0.33NF,10%,50V,Y5P,TP	5 C420	2401-001527	C-AL;47uF,20%,250V,HR,TP,13x25mm,5m	
.....5 C628	2202-000231	C-CERAMIC,MLC-AXIAL;0.33NF,10%,50V,Y5P,TP	5 C609	2401-001914	C-AL;1uF,20%,50V,BP,TP,5x11,5	
.....5 C629	2202-000231	C-CERAMIC,MLC-AXIAL;0.33NF,10%,50V,Y5P,TP	5 C610	2401-001914	C-AL;1uF,20%,50V,BP,TP,5x11,5	
.....5 C630	2202-000231	C-CERAMIC,MLC-AXIAL;0.33NF,10%,50V,Y5P,TP	5 C642	2401-001998	C-AL;1000uF,20%,25V,GP,TP,10x20,5mm	
.....5 C634	2202-000231	C-CERAMIC,MLC-AXIAL;0.33NF,10%,50V,Y5P,TP	5 C611	2401-002075	C-AL;4.7uF,20%,50V,GP,TP,5x11,5	
.....5 C638	2202-000286	C-CERAMIC,MLC-AXIAL;56pF,5%,50V,SL,TP,1.	5 C612	2401-002075	C-AL;4.7uF,20%,50V,GP,TP,5x11,5	
.....5 C606	2202-000796	C-CERAMIC,MLC-AXIAL;1nF,10%,50V,Y5P,TP,3	5 C613	2401-002075	C-AL;4.7uF,20%,50V,GP,TP,5x11,5	
.....5 C659	2202-000796	C-CERAMIC,MLC-AXIAL;1nF,10%,50V,Y5P,TP,3	5 C614	2401-002075	C-AL;4.7uF,20%,50V,GP,TP,5x11,5	
.....5 C660	2202-000796	C-CERAMIC,MLC-AXIAL;1nF,10%,50V,Y5P,TP,3	5 C617	2401-002075	C-AL;4.7uF,20%,50V,GP,TP,5x11,5	
.....5 C901	2202-002037	C-CERAMIC,MLC-AXIAL;100nF,80-20%,50V,Y5V	5 C618	2401-002075	C-AL;4.7uF,20%,50V,GP,TP,5x11,5	
.....5 C639	2301-000108	C-FILM,LEAD-PEF;1.5nF,5%,50V,TP,6.5x3.0x	5 C620	2401-002075	C-AL;4.7uF,20%,50V,GP,TP,5x11,5	
.....5 C305	2301-000160	C-FILM,LEAD-PEF;12nF,5%,50V,TP,11.0x6.0x	5 C632	2401-002075	C-AL;4.7uF,20%,50V,GP,TP,5x11,5	
.....5 C426	2301-000192	C-FILM,LEAD-PEF;1nF,5%,50V,TP,5.3x10mm,5	5 C633	2401-002075	C-AL;4.7uF,20%,50V,GP,TP,5x11,5	
.....5 C607	2301-000192	C-FILM,LEAD-PEF;1nF,5%,50V,TP,5.3x10mm,5	5 C635	2401-002075	C-AL;4.7uF,20%,50V,GP,TP,5x11,5	
.....5 C608	2301-000192	C-FILM,LEAD-PEF;1nF,5%,50V,TP,5.3x10mm,5	5 C640	2401-002075	C-AL;4.7uF,20%,50V,GP,TP,5x11,5	
.....5 C418	2301-000213	C-FILM,LEAD-PEF;22nF,5%,250V,TP,21.5x11	5 C404	2401-002288	C-AL;470uF,20%,25V,WT,TP,10x20,5	
.....5 C809	2301-000224	C-FILM,LEAD-PEF;22nF,5%,50V,TP,7.4x3.9x1	5 C202	2401-002463	C-AL;470uF,20%,16V,GP,TP,8x11.5,5	
.....5 C821	2301-000224	C-FILM,LEAD-PEF;22nF,5%,50V,TP,7.4x3.9x1	5 C833	2401-002619	C-AL;47uF,20%,25V,GP,TP,5x11,5	
.....5 C802	2301-000235	C-FILM,LEAD-PEF;3.9nF,5%,50V,TP,6.5x3.0x	5 C826	2401-003034	C-AL;220uF,20%,16V,WT,TP,8x11.5,5	
.....5 C413	2301-000342	C-FILM,LEAD-PEF;2.2nF,5%,50V,TP,7.4x3.9x	5 C834	2401-003034	C-AL;220uF,20%,16V,WT,TP,8x11.5,5	
.....5 C410	2301-000383	C-FILM,LEAD-PEF;10nF,5%,50V,TP,6x7x3.2mm	5 C808	2401-003046	C-AL;47uF,20%,50V,WT,TP,6.3x11,2.5	
.....5 C417	2301-000383	C-FILM,LEAD-PEF;10nF,5%,50V,TP,6x7x3.2mm	5 C104	2401-003578	C-AL;1000uF,20%,10V,GP,TP,8x20mm,5	
.....5 C408	2301-001268	C-FILM,LEAD-PPF;33nF,5%,630V,TP,20x11x17	5 C108	2401-003578	C-AL;1000uF,20%,10V,GP,TP,8x20mm,5	
.....5 C407	2301-001401	C-FILM,LEAD-PPF;27nF,5%,630V,TP,19x11x17	5 L301	2701-000114	INDUCTOR-AXIAL;10UH,10%,2534	
.....5 C807	2303-000163	C-FILM,LEAD-PPF;2.2nF,5%,800V,TP,15x13x8	5 L611	2701-000114	INDUCTOR-AXIAL;10UH,10%,2534	
.....5 C414	2305-000149	C-FILM,LEAD-PEF;100nF,5%,100V,TP,12x12.5	5 L612	2701-000114	INDUCTOR-AXIAL;10UH,10%,2534	
.....5 C303	2305-000285	C-FILM,LEAD-PEF;220nF,5%,100V,TP,10.5X5.	5 R101	2701-000114	INDUCTOR-AXIAL;10UH,10%,2534	
.....5 C304	2305-000289	C-FILM,LEAD-PEF;220nF,5%,63V,TP,-,5mm	5 R102	2701-000114	INDUCTOR-AXIAL;10UH,10%,2534	
.....5 C307	2305-000411	C-FILM,LEAD-PEF;470nF,5%,50V,TP,7.3x4.8x	5 R103	2701-000114	INDUCTOR-AXIAL;10UH,10%,2534	
.....5 C101	2305-000665	C-FILM,LEAD-PEF;100nF,5%,63V,TP,7.5x4.0x	5 R106	2701-000114	INDUCTOR-AXIAL;10UH,10%,2534	
.....5 C103	2305-000665	C-FILM,LEAD-PEF;100nF,5%,63V,TP,7.5x4.0x	5 L101	2701-000115	INDUCTOR-AXIAL;10UH,10%,3070	
.....5 C105	2305-000665	C-FILM,LEAD-PEF;100nF,5%,63V,TP,7.5x4.0x	5 L103	2701-000115	INDUCTOR-AXIAL;10UH,10%,3070	
.....5 C107	2305-000665	C-FILM,LEAD-PEF;100nF,5%,63V,TP,7.5x4.0x	5 L105	2701-000115	INDUCTOR-AXIAL;10UH,10%,3070	
.....5 C112	2305-000665	C-FILM,LEAD-PEF;100nF,5%,63V,TP,7.5x4.0x	5 L601	2701-000115	INDUCTOR-AXIAL;10UH,10%,3070	
.....5 C201	2305-000665	C-FILM,LEAD-PEF;100nF,5%,63V,TP,7.5x4.0x	5 L102	2701-000159	INDUCTOR-AXIAL;22UH,10%,4298	
.....5 C203	2305-000665	C-FILM,LEAD-PEF;100nF,5%,63V,TP,7.5x4.0x	5 L104	2701-000159	INDUCTOR-AXIAL;22UH,10%,4298	
.....5 C206	2305-000665	C-FILM,LEAD-PEF;100nF,5%,63V,TP,7.5x4.0x	5 L603	2701-000177	INDUCTOR-AXIAL;33UH,10%,2534	
.....5 C415	2305-000665	C-FILM,LEAD-PEF;100nF,5%,63V,TP,7.5x4.0x	5 L604	2701-000177	INDUCTOR-AXIAL;33UH,10%,2534	
.....5 C605	2305-000665	C-FILM,LEAD-PEF;100nF,5%,63V,TP,7.5x4.0x	5 L605	2701-000177	INDUCTOR-AXIAL;33UH,10%,2534	
.....5 C627	2305-000665	C-FILM,LEAD-PEF;100nF,5%,63V,TP,7.5x4.0x	5 L606	2701-000177	INDUCTOR-AXIAL;33UH,10%,2534	
.....5 C637	2305-000665	C-FILM,LEAD-PEF;100nF,5%,63V,TP,7.5x4.0x	5 L613	2701-000177	INDUCTOR-AXIAL;33UH,10%,2534	
.....5 C647	2305-000665	C-FILM,LEAD-PEF;100nF,5%,63V,TP,7.5x4.0x	5 L614	2701-000177	INDUCTOR-AXIAL;33UH,10%,2534	
.....5 C825	2305-000665	C-FILM,LEAD-PEF;100nF,5%,63V,TP,7.5x4.0x	5 L615	2701-000177	INDUCTOR-AXIAL;33UH,10%,2534	
.....5 C831	2305-000665	C-FILM,LEAD-PEF;100nF,5%,63V,TP,7.5x4.0x	5 L616	2701-000177	INDUCTOR-AXIAL;33UH,10%,2534	
.....5 C837	2305-000665	C-FILM,LEAD-PEF;100nF,5%,63V,TP,7.5x4.0x	5 L201	2701-000200	INDUCTOR-AXIAL;5.6UH,10%,4298	

Loc. No.	Code No.	Description ; Specification	Remark	Loc. No.	Code No.	Description ; Specification	Remark	
.....5	L811	2701-001030	INDUCTOR-AXIAL;43UH,10%,45145	EY703	6042-000002	EYELET;ID1.5,OD2,L2.8,NI+SN,BSP3-1/2H	S.N.A
.....5	F101	2901-000297	FILTER-EMI ON BOARD;-3A,-,-,3.5x5,TP,-5	EY704	6042-000002	EYELET;ID1.5,OD2,L2.8,NI+SN,BSP3-1/2H	S.N.A
.....5	F101	2901-000297	FILTER-EMI ON BOARD;-3A,-,-,3.5x5,TP,-5	EY705	6042-000002	EYELET;ID1.5,OD2,L2.8,NI+SN,BSP3-1/2H	S.N.A
.....5	F101	2901-000297	FILTER-EMI ON BOARD;-3A,-,-,3.5x5,TP,-5	EY706	6042-000002	EYELET;ID1.5,OD2,L2.8,NI+SN,BSP3-1/2H	S.N.A
.....5	F101	2901-000299	FILTER-EMI ON BOARD;-6A,UL/CSA,-,9x7.5,5	EY801	6042-000002	EYELET;ID1.5,OD2,L2.8,NI+SN,BSP3-1/2H	S.N.A
.....5	F101	2901-000299	FILTER-EMI ON BOARD;-6A,UL/CSA,-,9x7.5,5	EY802	6042-000002	EYELET;ID1.5,OD2,L2.8,NI+SN,BSP3-1/2H	S.N.A
.....5	F101	2901-000299	FILTER-EMI ON BOARD;-6A,UL/CSA,-,9x7.5,5	EY803	6042-000002	EYELET;ID1.5,OD2,L2.8,NI+SN,BSP3-1/2H	S.N.A
.....5	L2514	3301-000287	BEAD-AXIAL,;3.5x1.0x6.0mm,3000mA,TP,,505	EY804	6042-000002	EYELET;ID1.5,OD2,L2.8,NI+SN,BSP3-1/2H	S.N.A
.....5	L2514	3301-000287	BEAD-AXIAL,;3.5x1.0x6.0mm,3000mA,TP,,505	EY805	6042-000002	EYELET;ID1.5,OD2,L2.8,NI+SN,BSP3-1/2H	S.N.A
.....5	L2514	3301-000287	BEAD-AXIAL,;3.5x1.0x6.0mm,3000mA,TP,,505	EY806	6042-000002	EYELET;ID1.5,OD2,L2.8,NI+SN,BSP3-1/2H	S.N.A
.....5	L2514	3301-000287	BEAD-AXIAL,;3.5x1.0x6.0mm,3000mA,TP,,505	EY807	6042-000002	EYELET;ID1.5,OD2,L2.8,NI+SN,BSP3-1/2H	S.N.A
.....5	L2514	3301-001223	BEAD-AXIAL;62ohm,3.5x0.8x5mm,,TP,,,5	EY808	6042-000002	EYELET;ID1.5,OD2,L2.8,NI+SN,BSP3-1/2H	S.N.A
.....5	L2514	3301-001223	BEAD-AXIAL;62ohm,3.5x0.8x5mm,,TP,,,5	EY809	6042-000002	EYELET;ID1.5,OD2,L2.8,NI+SN,BSP3-1/2H	S.N.A
.....5	L2514	3301-001223	BEAD-AXIAL;62ohm,3.5x0.8x5mm,,TP,,,5	EY810	6042-000002	EYELET;ID1.5,OD2,L2.8,NI+SN,BSP3-1/2H	S.N.A
.....5	FA801S	3601-000120	FUSE-AXIAL LEAD;125V,2.5A,FAST-ACTING,GL5	EY811	6042-000002	EYELET;ID1.5,OD2,L2.8,NI+SN,BSP3-1/2H	S.N.A
.....5	FA802S	3601-001086	FUSE-AXIAL LEAD;125V,5A,FAST-ACTING,GLAS5	EY812	6042-000002	EYELET;ID1.5,OD2,L2.8,NI+SN,BSP3-1/2H	S.N.A
.....5	FA803S	3601-001228	FUSE-AXIAL LEAD;125V,10A,FAST-ACTING,EPO5	EY813	6042-000002	EYELET;ID1.5,OD2,L2.8,NI+SN,BSP3-1/2H	S.N.A
.....5	F801A	3602-000114	FUSE-HOLDER;-,-,30mohm5	EY814	6042-000002	EYELET;ID1.5,OD2,L2.8,NI+SN,BSP3-1/2H	S.N.A
.....5	F801B	3602-000114	FUSE-HOLDER;-,-,30mohm5	EY815	6042-000002	EYELET;ID1.5,OD2,L2.8,NI+SN,BSP3-1/2H	S.N.A
.....5	EL201	6042-000001	EYELET;ID2.2,OD2.7,L3.1,NI+SN,BSP3-1/2H5	EY816	6042-000002	EYELET;ID1.5,OD2,L2.8,NI+SN,BSP3-1/2H	S.N.A
.....5	EL202	6042-000001	EYELET;ID2.2,OD2.7,L3.1,NI+SN,BSP3-1/2H5	EY817	6042-000002	EYELET;ID1.5,OD2,L2.8,NI+SN,BSP3-1/2H	S.N.A
.....5	EL203	6042-000001	EYELET;ID2.2,OD2.7,L3.1,NI+SN,BSP3-1/2H5	EY818	6042-000002	EYELET;ID1.5,OD2,L2.8,NI+SN,BSP3-1/2H	S.N.A
.....5	EL204	6042-000001	EYELET;ID2.2,OD2.7,L3.1,NI+SN,BSP3-1/2H5	EY819	6042-000002	EYELET;ID1.5,OD2,L2.8,NI+SN,BSP3-1/2H	S.N.A
.....5	EL401	6042-000001	EYELET;ID2.2,OD2.7,L3.1,NI+SN,BSP3-1/2H5	EY820	6042-000002	EYELET;ID1.5,OD2,L2.8,NI+SN,BSP3-1/2H	S.N.A
.....5	EL402	6042-000001	EYELET;ID2.2,OD2.7,L3.1,NI+SN,BSP3-1/2H5	EY821	6042-000002	EYELET;ID1.5,OD2,L2.8,NI+SN,BSP3-1/2H	S.N.A
.....5	EL403	6042-000001	EYELET;ID2.2,OD2.7,L3.1,NI+SN,BSP3-1/2H5	EY822	6042-000002	EYELET;ID1.5,OD2,L2.8,NI+SN,BSP3-1/2H	S.N.A
.....5	EL404	6042-000001	EYELET;ID2.2,OD2.7,L3.1,NI+SN,BSP3-1/2H5	EY823	6042-000002	EYELET;ID1.5,OD2,L2.8,NI+SN,BSP3-1/2H	S.N.A
.....5	EL801	6042-000001	EYELET;ID2.2,OD2.7,L3.1,NI+SN,BSP3-1/2H5	EY824	6042-000002	EYELET;ID1.5,OD2,L2.8,NI+SN,BSP3-1/2H	S.N.A
.....5	EL802	6042-000001	EYELET;ID2.2,OD2.7,L3.1,NI+SN,BSP3-1/2H5	EY825	6042-000002	EYELET;ID1.5,OD2,L2.8,NI+SN,BSP3-1/2H	S.N.A
.....5	EL805	6042-000001	EYELET;ID2.2,OD2.7,L3.1,NI+SN,BSP3-1/2H5	EY826	6042-000002	EYELET;ID1.5,OD2,L2.8,NI+SN,BSP3-1/2H	S.N.A
.....5	EL806	6042-000001	EYELET;ID2.2,OD2.7,L3.1,NI+SN,BSP3-1/2H5	EY827	6042-000002	EYELET;ID1.5,OD2,L2.8,NI+SN,BSP3-1/2H	S.N.A
.....5	EY442	6042-000001	EYELET;ID2.2,OD2.7,L3.1,NI+SN,BSP3-1/2H5	EY828	6042-000002	EYELET;ID1.5,OD2,L2.8,NI+SN,BSP3-1/2H	S.N.A
.....5	EY301	6042-000002	EYELET;ID1.5,OD2,L2.8,NI+SN,BSP3-1/2H5	EY829	6042-000002	EYELET;ID1.5,OD2,L2.8,NI+SN,BSP3-1/2H	S.N.A
.....5	EY302	6042-000002	EYELET;ID1.5,OD2,L2.8,NI+SN,BSP3-1/2H5	EY830	6042-000002	EYELET;ID1.5,OD2,L2.8,NI+SN,BSP3-1/2H	S.N.A
.....5	EY401	6042-000002	EYELET;ID1.5,OD2,L2.8,NI+SN,BSP3-1/2H5	EY831	6042-000002	EYELET;ID1.5,OD2,L2.8,NI+SN,BSP3-1/2H	S.N.A
.....5	EY403	6042-000002	EYELET;ID1.5,OD2,L2.8,NI+SN,BSP3-1/2H5	EY832	6042-000002	EYELET;ID1.5,OD2,L2.8,NI+SN,BSP3-1/2H	S.N.A
.....5	EY404	6042-000002	EYELET;ID1.5,OD2,L2.8,NI+SN,BSP3-1/2H5	EY833	6042-000002	EYELET;ID1.5,OD2,L2.8,NI+SN,BSP3-1/2H	S.N.A
.....5	EY405	6042-000002	EYELET;ID1.5,OD2,L2.8,NI+SN,BSP3-1/2H5	EY834	6042-000002	EYELET;ID1.5,OD2,L2.8,NI+SN,BSP3-1/2H	S.N.A
.....5	EY406	6042-000002	EYELET;ID1.5,OD2,L2.8,NI+SN,BSP3-1/2H5	EY835	6042-000002	EYELET;ID1.5,OD2,L2.8,NI+SN,BSP3-1/2H	S.N.A
.....5	EY407	6042-000002	EYELET;ID1.5,OD2,L2.8,NI+SN,BSP3-1/2H5	EY836	6042-000002	EYELET;ID1.5,OD2,L2.8,NI+SN,BSP3-1/2H	S.N.A
.....5	EY408	6042-000002	EYELET;ID1.5,OD2,L2.8,NI+SN,BSP3-1/2H5	EY837	6042-000002	EYELET;ID1.5,OD2,L2.8,NI+SN,BSP3-1/2H	S.N.A
.....5	EY409	6042-000002	EYELET;ID1.5,OD2,L2.8,NI+SN,BSP3-1/2H5	EY838	6042-000002	EYELET;ID1.5,OD2,L2.8,NI+SN,BSP3-1/2H	S.N.A
.....5	EY410	6042-000002	EYELET;ID1.5,OD2,L2.8,NI+SN,BSP3-1/2H5	EY839	6042-000002	EYELET;ID1.5,OD2,L2.8,NI+SN,BSP3-1/2H	S.N.A
.....5	EY411	6042-000002	EYELET;ID1.5,OD2,L2.8,NI+SN,BSP3-1/2H5	EY840	6042-000002	EYELET;ID1.5,OD2,L2.8,NI+SN,BSP3-1/2H	S.N.A
.....5	EY412	6042-000002	EYELET;ID1.5,OD2,L2.8,NI+SN,BSP3-1/2H5	EY841	6042-000002	EYELET;ID1.5,OD2,L2.8,NI+SN,BSP3-1/2H	S.N.A
.....5	EY413	6042-000002	EYELET;ID1.5,OD2,L2.8,NI+SN,BSP3-1/2H5	EY842	6042-000002	EYELET;ID1.5,OD2,L2.8,NI+SN,BSP3-1/2H	S.N.A
.....5	EY414	6042-000002	EYELET;ID1.5,OD2,L2.8,NI+SN,BSP3-1/2H5	EY843	6042-000002	EYELET;ID1.5,OD2,L2.8,NI+SN,BSP3-1/2H	S.N.A
.....5	EY415	6042-000002	EYELET;ID1.5,OD2,L2.8,NI+SN,BSP3-1/2H5	EY844	6042-000002	EYELET;ID1.5,OD2,L2.8,NI+SN,BSP3-1/2H	S.N.A
.....5	EY416	6042-000002	EYELET;ID1.5,OD2,L2.8,NI+SN,BSP3-1/2H5	EY845	6042-000002	EYELET;ID1.5,OD2,L2.8,NI+SN,BSP3-1/2H	S.N.A
.....5	EY417	6042-000002	EYELET;ID1.5,OD2,L2.8,NI+SN,BSP3-1/2H5	EY846	6042-000002	EYELET;ID1.5,OD2,L2.8,NI+SN,BSP3-1/2H	S.N.A
.....5	EY418	6042-000002	EYELET;ID1.5,OD2,L2.8,NI+SN,BSP3-1/2H5	EY847	6042-000002	EYELET;ID1.5,OD2,L2.8,NI+SN,BSP3-1/2H	S.N.A
.....5	EY419	6042-000002	EYELET;ID1.5,OD2,L2.8,NI+SN,BSP3-1/2H5	EY848	6042-000002	EYELET;ID1.5,OD2,L2.8,NI+SN,BSP3-1/2H	S.N.A
.....5	EY420	6042-000002	EYELET;ID1.5,OD2,L2.8,NI+SN,BSP3-1/2H5	EY849	6042-000002	EYELET;ID1.5,OD2,L2.8,NI+SN,BSP3-1/2H	S.N.A
.....5	EY421	6042-000002	EYELET;ID1.5,OD2,L2.8,NI+SN,BSP3-1/2H5	EY850	6042-000002	EYELET;ID1.5,OD2,L2.8,NI+SN,BSP3-1/2H	S.N.A
.....5	EY422	6042-000002	EYELET;ID1.5,OD2,L2.8,NI+SN,BSP3-1/2H5	EY851	6042-000002	EYELET;ID1.5,OD2,L2.8,NI+SN,BSP3-1/2H	S.N.A
.....5	EY423	6042-000002	EYELET;ID1.5,OD2,L2.8,NI+SN,BSP3-1/2H5	EY852	6042-000002	EYELET;ID1.5,OD2,L2.8,NI+SN,BSP3-1/2H	S.N.A
.....5	EY424	6042-000002	EYELET;ID1.5,OD2,L2.8,NI+SN,BSP3-1/2H5	EY853	6042-000002	EYELET;ID1.5,OD2,L2.8,NI+SN,BSP3-1/2H	S.N.A
.....5	EY425	6042-000002	EYELET;ID1.5,OD2,L2.8,NI+SN,BSP3-1/2H5	EY854	6042-000002	EYELET;ID1.5,OD2,L2.8,NI+SN,BSP3-1/2H	S.N.A
.....5	EY426	6042-000002	EYELET;ID1.5,OD2,L2.8,NI+SN,BSP3-1/2H5	EY439	6042-000002	EYELET;ID1.5,OD2,L2.8,NI+SN,BSP3-1/2H	S.N.A
.....5	EY427	6042-000002	EYELET;ID1.5,OD2,L2.8,NI+SN,BSP3-1/2H5	EY440	6042-000002	EYELET;ID1.5,OD2,L2.8,NI+SN,BSP3-1/2H	S.N.A
.....5	EY428	6042-000002	EYELET;ID1.5,OD2,L2.8,NI+SN,BSP3-1/2H5	IC063	AA13-00094A	IC HYBRID;,-,DDR1001A,SIP,5P,-,TP	
.....5	EY429	6042-000002	EYELET;ID1.5,OD2,L2.8,NI+SN,BSP3-1/2H5	CN909	AA37-00001A	CONNECTOR-FBT FIX PIN;JM-3500,CPTTV,0.36	
.....5	EY430	6042-000002	EYELET;ID1.5,OD2,L2.8,NI+SN,BSP3-1/2H5	CN909	AA37-00001A	CONNECTOR-FBT FIX PIN;JM-3500,CPTTV,0.36	
.....5	EY431	6042-000002	EYELET;ID1.5,OD2,L2.8,NI+SN,BSP3-1/2H5	GT811	AA60-40014A	PIN-GT,ASSY;AUTO	
.....5	EY432	6042-000002	EYELET;ID1.5,OD2,L2.8,NI+SN,BSP3-1/2H5	GT811	AA60-40014A	PIN-GT,ASSY;AUTO	
.....5	EY433	6042-000002	EYELET;ID1.5,OD2,L2.8,NI+SN,BSP3-1/2H5	GT811	AA60-40014A	PIN-GT,ASSY;AUTO	
.....5	EY434	6042-000002	EYELET;ID1.5,OD2,L2.8,NI+SN,BSP3-1/2H5	GT811	AA60-40014A	PIN-GT,ASSY;AUTO	
.....5	EY435	6042-000002	EYELET;ID1.5,OD2,L2.8,NI+SN,BSP3-1/2H5	GT811	AA60-40014A	PIN-GT,ASSY;AUTO	
.....5	EY436	6042-000002	EYELET;ID1.5,OD2,L2.8,NI+SN,BSP3-1/2H5	R107	2001-000869	R-CARBON;56OHM,5%,1/8W,AA,TP,1.8X3.2MM	
.....5	EY437	6042-000002	EYELET;ID1.5,OD2,L2.8,NI+SN,BSP3-1/2H5	R111	2001-000869	R-CARBON;56OHM,5%,1/8W,AA,TP,1.8X3.2MM	
.....5	EY438	6042-000002	EYELET;ID1.5,OD2,L2.8,NI+SN,BSP3-1/2H5	R112	2001-000869	R-CARBON;56OHM,5%,1/8W,AA,TP,1.8X3.2MM	
.....5	EY601	6042-000002	EYELET;ID1.5,OD2,L2.8,NI+SN,BSP3-1/2H5	R431	2004-002016	R-METAL(S);15Kohm,1%,1/2W,AA,TP,2.5x6.5mm	
.....5	EY602	6042-000002	EYELET;ID1.5,OD2,L2.8,NI+SN,BSP3-1/2H5	C814	2201-000991	C-CERAMIC,DISC;0.56NF,10%,2KV,Y5P,TP,7.5	
.....5	EY603	6042-000002	EYELET;ID1.5,OD2,L2.8,NI+SN,BSP3-1/2H5	R417	2008-000251	R-FUSIBLE(S);0.27ohm,5%,2W,AF,TP,3.9x10mm	
.....5	EY604	6042-000002	EYELET;ID1.5,OD2,L2.8,NI+SN,BSP3-1/2H5	C423	2301-001259	C-FILM,LEAD-PPF;100nF,5%,400V,TP,19x8x16	
.....5	EY701	6042-000002	EYELET;ID1.5,OD2,L2.8,NI+SN,BSP3-1/2H5	T0077	AA41-01002C	PCB MAIN;CS29M20,FR-1.1,B,1.6T,245*330,S	S.N.A
.....5	EY702	6042-000002	EYELET;ID1.5,OD2,L2.8,NI+SN,BSP3-1/2H4	T0010	AA27-00057B	COIL CHOKE;10mH,YL-9N 15x27.5 C.9,5,0.3m	

Electric Parts List

Loc. No.	Code No.	Description ; Specification	Remark	Loc. No.	Code No.	Description ; Specification	Remark
....4	T0296	AA27-00070B	COIL LINEARITY;7uH,YL81 DR1518,11mm,17x3		..2	T0090	AA27-00314A COIL DEGAUSSING-TILT;TILT,CPTTV,33.5mH,1
....4	T0010	AA27-00105B	COIL CHOKE;55uH,DR 15X27.5,BK,31.5T		..2	T0089	AA27-00317A COIL DEGAUSSING;29,CPTTV,10%,35T,4.5OHM
△....4	PC801S	0604-001032	PHOTO-COUPLER;TR,170-260%,300mW,DIP-4,ST		..2	T0527	AA61-01373A HOLDER-D COIL;29K5,NYLON 66 S.N.A
....4	CN301	AA60-40012F	PIN-GT;4P,2.36P1,6/12/14mm,NYLON66,LOCKI	S.N.A	..2	T0527	AA65-30017A CLAMPER CORE-D,COIL;-NYLON-66,VO,-NTR, S.N.A
△....4	PD801S	AA60-40012G	PIN-GT;3P,2.36P1,10/5mm,NYLON66,LOCKING	S.N.A	..2	T0603	AA98-70039B ASSY TBC WIRE P;DP,29,AA98-70011D,2P S.N.A
....3		AA98-00314K	ASSY K/D-PACKING,PCB;K55A,S61A,TTSEC,F3,	S.N.A	ASSY P/MATERIAL		
....4		6902-000015	BAG ANTISTATIC;LDPE,TO.05,L950,W900,TRP,	S.N.A	1	M0113	AA92-09006S ASSY P/MATERIAL;CS29M20SPNSKLG S.N.A
....4		6902-000316	BAG AIR CAP;LDPE,TO.05,W210,L350,TRP,-,-	S.N.A	..2	T0524	6902-000007 BAG PE;HDPE/NITRON/HDPE,TO.015/TO.5/TO.0 S.N.A
....4		6902-000604	BAG WRAPPING;LDPE,TO.02,W500,L10000,TRP,	S.N.A	..2	T0214	AA60-40007A PIN-STAPLE;HAND,H18,W35,H18,W35 S.N.A
....4	T0172	AA69-02609A	BAND-PP;W18,CLEA,1G	S.N.A	..2	T0172	AA69-02609A BAND-PP;W18,CLEA,1G S.N.A
..2	T0569	AA94-14079C	ASSY PCB MISC-MASTER;DP,AA94-14079B,25M2	S.N.A	ASSY ACCESSORY		
....3	T0569	AA94-14079B	ASSY PCB MISC-MASTER;25,29M20,KS7A,ET,CI	S.N.A	1	M0045	AA92-09052A ASSY ACCESSORY;CS29M6SPNX/BWT,S61A,NEG S.N.A
△....4	SW811S	3403-000179	SWITCH-PUSH;250V,5A,DPST,-,JPW-2104B		..2	T0524	6902-000009 BAG PE;HDPE,TO.03,L400,W240,TRP,8,2,PE M S.N.A
....4	CN906	3711-004696	CONNECTOR-HEADER;NOWALL,3P,1R,5MM,ANGLE,		..2	T0074	AA59-00357B REMOCON;Negotiator,TM76B,XPO,G6148,44,LN S.N.A
....4	CN906	3711-004697	CONNECTOR-HEADER;NOWALL,3P,1R,5MM,ANGLE,		..3	T0122	2802-000194 RESONATOR-CERAMIC;8MHZ,1.0%,TP,8.5x4.5x5 S.N.A
....4	T0245	AA39-20179F	LEAD CONNECTOR-ASSY;,(3/2)P,400MM,YFH800-		..3	T0119	AA09-00371A IC MICOM;SZTM-839C R-52MX,28PIN,16KBYTE, S.N.A
....4	T0062	AA61-01376A	HOLDER-POWER;HIPS VO,29M20,BLK	S.N.A	..2	5	AA68-00816B CARD WARRANTY-05;RUSSINA,2,W/P 120G,BOT S.N.A
....4		AA97-15120A	ASSY AUTO-MASTER;25M20,KS7A	S.N.A	..2	T0269	AA68-01120A MANUAL SERVICE;-,-,CIS,A4,6PAGE(FOLD),W/ S.N.A
....5	EY01	6042-000002	EYELET;ID1.5,OD2,L2.8,NI+SN,BSP3-1/2H	S.N.A	..2	3	AA68-01402A MANUAL-GOOD WILL LETTER;-,-,CIS,B5,1PAGE,A/ S.N.A
....5	EY02	6042-000002	EYELET;ID1.5,OD2,L2.8,NI+SN,BSP3-1/2H	S.N.A	..2	3	AA68-03278A MANUAL-03,CARD WARRANTY;-,-,CIS ALL MODEL,CI S.N.A
....5	EY03	6042-000002	EYELET;ID1.5,OD2,L2.8,NI+SN,BSP3-1/2H	S.N.A	..2	M0753	AA68-03335A MANUAL USERS-04;Negotiator,BWT,RUS,CIS,S S.N.A
....5	EY04	6042-000002	EYELET;ID1.5,OD2,L2.8,NI+SN,BSP3-1/2H	S.N.A	..2	0	AA68-03242B MANUAL-SAFETY GUIDE;TH-ENG,SAFETY GUIDE S.N.A
....5	0	AA41-01020A	PCB-MASTER S/W;CS29M20,CEM-1,1,A,245*245	S.N.A	..2		AA68-03576A MANUAL-00 REGISTRATION CARD;BWT,RU,RUSSIA S.N.A
....4	T0245	0202-001366	SOLDER-WIRE FLUX;-RS60S,D1.2,63Sn/37Pb,	S.N.A	ASSY SKD PART		
....4	M0081	6003-000334	SCREW-TAPTITE;RH,+2S,M3,L6,ZPC(YEL),SWR	S.N.A	1	AA92-09942G	ASSY SKD PART;CS29M20SPNSKLG,S61A,NETI S.N.A
....3		AA98-00314P	ASSY K/D-PACKING;KS7A,S61A,25M20,AA41-01	S.N.A	△..2	T0268	AA39-10003B CBF-POWER CORD;-,-,KJP-140,KLCE-2F,2.4m,HO S.N.A
....4	M0081	6902-000611	BAG ROLL;PE FOAM,T1.0,-,-,-,-,-	S.N.A	..2	T0010	AA61-20284A HOLDER;P-CORD,PP,-,-,-,BLK,VO,KE-002 S.N.A
..2	T0091	AA94-14090G	ASSY PCB MISC-A/V SIDE;DP,CS29M20SPNSNWT	S.N.A	..2	CIS1	AA65-30110A CLAMPER CORE-WIRE;ALL MODEL,NYLON 66,V2, S.N.A
....3	T0091	AA94-14090A	ASSY PCB MISC-A/V SIDE;M6,M20,S61A,A/V,N		ASSY K/D-SKD P/MATERIAL		
....4	T0245	0202-001366	SOLDER-WIRE FLUX;-RS60S,D1.2,63Sn/37Pb,	S.N.A	1	AA98-01629A	ASSY K/D-SKD P/MATERIAL;CTV,SKD FORMAT-3 S.N.A
....4	JA701	3722-001031	JACK-PIN;3P,3.6mm,#18,AU		..2	T0376	6902-000061 BAG AIR;LDPE,TO.2,L1000,W500,TRP,, S.N.A
....4	JA702	3722-001163	JACK-VHS;4P,12mm,AU,BLK,N		..2	T0376	6902-000001 BAG AIR;LDPE,TO.2,L1800,W1000,TRP,,LDPE S.N.A
....4	T0569	AA97-14919A	ASSY AUTO-A/V SIDE;CS29M6SPNX/BWT,S61A,N	S.N.A	..2	T0214	AA60-40006A PIN-STAPLE;AUTO,33X17.8X2.4,H18,33X17.8X S.N.A
....5	R706S	2001-000273	R-CARBON;100KOHM,5%,1/8W,AA,TP,1.8X3.2MM		..2	T0172	AA69-02609A BAND-PP;W18,CLEA,1G S.N.A
....5	R707S	2001-000273	R-CARBON;100KOHM,5%,1/8W,AA,TP,1.8X3.2MM		..2		6902-000604 BAG WRAPPING;LDPE,TO.02,W500,L10000,TRP, S.N.A
....5	C703	2202-000121	C-CERAMIC,MLC-AXIAL;100pF,10%,50V,Y5P,TP		ASSY CPT		
....5	C705	2202-000121	C-CERAMIC,MLC-AXIAL;100pF,10%,50V,Y5P,TP		1	T0521	AA91-08189Q ASSY CPT;29,SDI MST CPT,+380MG,A68QCP69 S.N.A
....5	L2514	3301-000287	BEAD-AXIAL;3.5x1.0x6.0mm,3000mA,TP,,50	S.N.A	△..2	T0063	AA03-10031B CRT COLOR;A68QCP693X800,380MG,0.28MH,11.
....5	L2514	3301-000287	BEAD-AXIAL;3.5x1.0x6.0mm,3000mA,TP,,50	S.N.A			
....5	C706	2202-002008	C-CERAMIC,MLC-AXIAL;10nF,+80-20%,50V,Y5V				
....5	C707	2202-002008	C-CERAMIC,MLC-AXIAL;10nF,+80-20%,50V,Y5V				
....5	0	AA41-01018B	PCB SUB-A/V;CS29M6,FR-2,1,01,1.6,245*197	S.N.A			
....4	M2893	AA39-00381A	LEAD CONNECTOR;CS29M6SPNX/BWT,UL1185#26,				
....3		AA98-02516A	ASSY K/D-PACKING;SIDE A/V,K55A,S61A,AA41	S.N.A			
..2	T0257	AA94-14392B	ASSY PCB MISC-COLTROL;DP,CS29M20SPNSNWT,				
....3	T0098	AA94-14392A	ASSY PCB MISC-CONTROL;29M20,S61A,NEGOTIA				
....4	T0245	0202-001366	SOLDER-WIRE FLUX;-RS60S,D1.2,63Sn/37Pb,	S.N.A			
....4	LDY01	0601-001381	LED;ROUND,RED/GRN,5.0MM,650/563NM				
....4	D0254	AA32-00012A	MODULE REMOCON;ORC-50HF2,38KHZ,940NM,MES				
....4		AA97-15267A	ASSY AUTO-CONTROL;29M20,S61A,NEGOTIATOR S.N.A				
....5	DY01	0401-000005	DIODE-SWITCHING;1N4148,75V,150MA,DO-35,T				
....5	DY02	0401-000005	DIODE-SWITCHING;1N4148,75V,150MA,DO-35,T				
....5	DZY01	0403-000508	DIODE-ZENER;MTZJ5.6B,5.45-5.73V,500MW,DO				
....5	DZY02	0403-000508	DIODE-ZENER;MTZJ5.6B,5.45-5.73V,500MW,DO				
....5	RY01	2001-000020	R-CARBON(S);220OHM,5%,1/2W,AA,TP,2.4X6.4M				
....5	LY01	2701-000136	INDUCTOR-AXIAL;18UH,10%,2534				
....5	SWY07	3404-000243	SWITCH-TACT;15V,20mA,160gf+-50gf,6x3.4mm				
....5	SWY08	3404-000243	SWITCH-TACT;15V,20mA,160gf+-50gf,6x3.4mm				
....5	SWY09	3404-000243	SWITCH-TACT;15V,20mA,160gf+-50gf,6x3.4mm				
....5	SWY10	3404-000243	SWITCH-TACT;15V,20mA,160gf+-50gf,6x3.4mm				
....5	SWY11	3404-000243	SWITCH-TACT;15V,20mA,160gf+-50gf,6x3.4mm				
....5	CY01	2401-002144	C-AL;47uF,20%,16V,GP,TP,5x11.5				
....5	M0119	AA41-01004A	PCB CONTROL;CS29M20,FR-1,1,A,245*245,S61	S.N.A			
....5	RY04	2001-000007	R-CARBON;3KOHM,5%,1/8W,AA,TP,1.8X3.2MM				
....5	RY06	2001-000009	R-CARBON;20KOHM,5%,1/8W,AA,TP,1.8X3.2MM				
....5	RY03	2001-000577	R-CARBON;2KOHM,5%,1/8W,AA,TP,1.8X3.2MM				
....5	RY05	2001-000878	R-CARBON;6.2KOHM,5%,1/8W,AA,TP,1.8X3.2MM				
....4	T0245	AA39-00385A	LEAD CONNECTOR-ASSY;GOLR RUSH,UL1007#26,				
....3		AA98-02570A	ASSY K/D-PACKING;CONTROL,S61A,NEGOTIATORS.N.A				

Loc. No.	Code No.	Description ; Specification	Remark	Loc. No.	Code No.	Description ; Specification	Remark
.....6DD04	0403-001117	DIODE-ZENER;RLZ12B,11.44-12.03V,500MW,LL	6ER02	2007-000074	R-CHIP;100ohm,5%,1/10W,TP,1608	
.....6DD05	0403-001117	DIODE-ZENER;RLZ12B,11.44-12.03V,500MW,LL	6ER03	2007-000074	R-CHIP;100ohm,5%,1/10W,TP,1608	
.....6DD06	0403-001117	DIODE-ZENER;RLZ12B,11.44-12.03V,500MW,LL	6ER04	2007-000074	R-CHIP;100ohm,5%,1/10W,TP,1608	
.....6DD07	0403-001117	DIODE-ZENER;RLZ12B,11.44-12.03V,500MW,LL	6ER05	2007-000074	R-CHIP;100ohm,5%,1/10W,TP,1608	
.....6DD21	0403-001284	DIODE-ZENER;RLZ3.3A,3.16-3.38V,500MW,LL-	6ER13	2007-000074	R-CHIP;100ohm,5%,1/10W,TP,1608	
.....6DD22	0403-001284	DIODE-ZENER;RLZ3.3A,3.16-3.38V,500MW,LL-	6ER16	2007-000074	R-CHIP;100ohm,5%,1/10W,TP,1608	
.....6DQ02	0501-000280	TR-SMALL SIGNAL;KSA1182,PNP,150mW,SOT-23	6ER19	2007-000074	R-CHIP;100ohm,5%,1/10W,TP,1608	
.....6DQ03	0501-000280	TR-SMALL SIGNAL;KSA1182,PNP,150mW,SOT-23	6ER20	2007-000074	R-CHIP;100ohm,5%,1/10W,TP,1608	
.....6DQ04	0501-000280	TR-SMALL SIGNAL;KSA1182,PNP,150mW,SOT-23	6ER23	2007-000074	R-CHIP;100ohm,5%,1/10W,TP,1608	
.....6DQ05	0501-000280	TR-SMALL SIGNAL;KSA1182,PNP,150mW,SOT-23	6ER24	2007-000074	R-CHIP;100ohm,5%,1/10W,TP,1608	
.....6DQ10	0501-000280	TR-SMALL SIGNAL;KSA1182,PNP,150mW,SOT-23	6ER35	2007-000074	R-CHIP;100ohm,5%,1/10W,TP,1608	
.....6EQ02	0501-000280	TR-SMALL SIGNAL;KSA1182,PNP,150mW,SOT-23	6ER36	2007-000074	R-CHIP;100ohm,5%,1/10W,TP,1608	
.....6DQ01	0501-000344	TR-SMALL SIGNAL;KSC1623-G,NPN,200mW,SOT-	6ER37	2007-000074	R-CHIP;100ohm,5%,1/10W,TP,1608	
.....6DQ06	0501-000344	TR-SMALL SIGNAL;KSC1623-G,NPN,200mW,SOT-	6ER40	2007-000074	R-CHIP;100ohm,5%,1/10W,TP,1608	
.....6DQ07	0501-000344	TR-SMALL SIGNAL;KSC1623-G,NPN,200mW,SOT-	6R905	2007-000074	R-CHIP;100ohm,5%,1/10W,TP,1608	
.....6DQ08	0501-000344	TR-SMALL SIGNAL;KSC1623-G,NPN,200mW,SOT-	6R940	2007-000074	R-CHIP;100ohm,5%,1/10W,TP,1608	
.....6DQ11	0501-000344	TR-SMALL SIGNAL;KSC1623-G,NPN,200mW,SOT-	6R941	2007-000074	R-CHIP;100ohm,5%,1/10W,TP,1608	
.....6EQ01	0501-000344	TR-SMALL SIGNAL;KSC1623-G,NPN,200mW,SOT-	6R942	2007-000074	R-CHIP;100ohm,5%,1/10W,TP,1608	
.....6EQ03	0501-000344	TR-SMALL SIGNAL;KSC1623-G,NPN,200mW,SOT-	6R947	2007-000074	R-CHIP;100ohm,5%,1/10W,TP,1608	
.....6EQ06	0501-000344	TR-SMALL SIGNAL;KSC1623-G,NPN,200mW,SOT-	6R948	2007-000074	R-CHIP;100ohm,5%,1/10W,TP,1608	
.....6Q901	0501-000344	TR-SMALL SIGNAL;KSC1623-G,NPN,200mW,SOT-	6R951	2007-000074	R-CHIP;100ohm,5%,1/10W,TP,1608	
.....6Q906	0501-000344	TR-SMALL SIGNAL;KSC1623-G,NPN,200mW,SOT-	6R962	2007-000074	R-CHIP;100ohm,5%,1/10W,TP,1608	
.....6Q907	0501-000344	TR-SMALL SIGNAL;KSC1623-G,NPN,200mW,SOT-	6RM01	2007-000074	R-CHIP;100ohm,5%,1/10W,TP,1608	
.....6Q908	0501-000344	TR-SMALL SIGNAL;KSC1623-G,NPN,200mW,SOT-	6SR35	2007-000074	R-CHIP;100ohm,5%,1/10W,TP,1608	
.....6DQ09	0501-000727	TR-SMALL SIGNAL;BC848C,NPN,310mW,SOT-23,	6DR25	2007-000077	R-CHIP;470ohm,5%,1/10W,TP,1608	
.....6Q409	0505-001679	FET-SILICON;FDC6301N,N,25V,0.22A,50HM,0.	6ER07	2007-000077	R-CHIP;470ohm,5%,1/10W,TP,1608	
.....6IC104	0801-000662	IC-CMOS LOGIC;74HC123,MULTIVIBATOR,SOP,1	6R910	2007-000077	R-CHIP;470ohm,5%,1/10W,TP,1608	
.....6IC06	1203-001211	IC-VOL. DETECTOR;7027,SOT-89,3P,-,PLASTI	6R919	2007-000077	R-CHIP;470ohm,5%,1/10W,TP,1608	
.....6ICM04	1203-001814	IC-VOL. DETECTOR;7025,SOT-89,4P,98MIL,PL	6R920	2007-000077	R-CHIP;470ohm,5%,1/10W,TP,1608	
.....6T0087	1203-002186	IC-POSI.FIXED REG.;18,DPAK,3P,240MIL,PLA	6SR37	2007-000077	R-CHIP;470ohm,5%,1/10W,TP,1608	
.....6T0087	1203-002302	IC-POSI.FIXED REG.;78RM33D,D-PAK,3P,-,PL	6DR43	2007-000078	R-CHIP;1Kohm,5%,1/10W,TP,1608	
.....6ICM01	1204-001912	IC-DECODER;SDA5550M,P,MQFP,100P,-,PLASTI	6DR44	2007-000078	R-CHIP;1Kohm,5%,1/10W,TP,1608	
.....6IC01	1204-001948	IC-VIDEO DECODER;VSP9402A,MQFP,80P,14X14	6DR45	2007-000078	R-CHIP;1Kohm,5%,1/10W,TP,1608	
.....6IC118	1204-001989	IC-VIDEO PROCESS;CXA2165Q,QFP,64P,20X14MM	6DR46	2007-000078	R-CHIP;1Kohm,5%,1/10W,TP,1608	
.....6DR23	2007-000052	R-CHIP;10Kohm,1%,1/10W,TP,1608	6ER38	2007-000078	R-CHIP;1Kohm,5%,1/10W,TP,1608	
.....6DR07	2007-000070	R-CHIP;0ohm,5%,1/10W,TP,1608	6ER46	2007-000078	R-CHIP;1Kohm,5%,1/10W,TP,1608	
.....6DR68	2007-000070	R-CHIP;0ohm,5%,1/10W,TP,1608	6R902	2007-000078	R-CHIP;1Kohm,5%,1/10W,TP,1608	
.....6DR69	2007-000070	R-CHIP;0ohm,5%,1/10W,TP,1608	6R916	2007-000078	R-CHIP;1Kohm,5%,1/10W,TP,1608	
.....6DR70	2007-000070	R-CHIP;0ohm,5%,1/10W,TP,1608	6R921	2007-000078	R-CHIP;1Kohm,5%,1/10W,TP,1608	
.....6DR89	2007-000070	R-CHIP;0ohm,5%,1/10W,TP,1608	6R955	2007-000078	R-CHIP;1Kohm,5%,1/10W,TP,1608	
.....6ER14	2007-000070	R-CHIP;0ohm,5%,1/10W,TP,1608	6RM07	2007-000078	R-CHIP;1Kohm,5%,1/10W,TP,1608	
.....6ER41	2007-000070	R-CHIP;0ohm,5%,1/10W,TP,1608	6DR86	2007-000080	R-CHIP;2Kohm,5%,1/10W,TP,1608	
.....6R963	2007-000070	R-CHIP;0ohm,5%,1/10W,TP,1608	6DR87	2007-000080	R-CHIP;2Kohm,5%,1/10W,TP,1608	
.....6RM02	2007-000070	R-CHIP;0ohm,5%,1/10W,TP,1608	6R936	2007-000080	R-CHIP;2Kohm,5%,1/10W,TP,1608	
.....6RM04	2007-000070	R-CHIP;0ohm,5%,1/10W,TP,1608	6DR32	2007-000081	R-CHIP;2.7Kohm,5%,1/10W,TP,1608	
.....6SR39	2007-000070	R-CHIP;0ohm,5%,1/10W,TP,1608	6DR33	2007-000082	R-CHIP;3.3Kohm,5%,1/10W,TP,1608	
.....6SR40	2007-000070	R-CHIP;0ohm,5%,1/10W,TP,1608	6DR34	2007-000084	R-CHIP;4.7Kohm,5%,1/10W,TP,1608	
.....6SR41	2007-000070	R-CHIP;0ohm,5%,1/10W,TP,1608	6DR37	2007-000084	R-CHIP;4.7Kohm,5%,1/10W,TP,1608	
.....6SR42	2007-000070	R-CHIP;0ohm,5%,1/10W,TP,1608	6DR63	2007-000084	R-CHIP;4.7Kohm,5%,1/10W,TP,1608	
.....6SR43	2007-000070	R-CHIP;0ohm,5%,1/10W,TP,1608	6R901	2007-000084	R-CHIP;4.7Kohm,5%,1/10W,TP,1608	
.....6DR40	2007-000072	R-CHIP;47ohm,5%,1/10W,TP,1608	6R903	2007-000084	R-CHIP;4.7Kohm,5%,1/10W,TP,1608	
.....6DR41	2007-000072	R-CHIP;47ohm,5%,1/10W,TP,1608	6R904	2007-000084	R-CHIP;4.7Kohm,5%,1/10W,TP,1608	
.....6R926	2007-000072	R-CHIP;47ohm,5%,1/10W,TP,1608	6R906	2007-000084	R-CHIP;4.7Kohm,5%,1/10W,TP,1608	
.....6DR03	2007-000074	R-CHIP;100ohm,5%,1/10W,TP,1608	6R908	2007-000084	R-CHIP;4.7Kohm,5%,1/10W,TP,1608	
.....6DR04	2007-000074	R-CHIP;100ohm,5%,1/10W,TP,1608	6R924	2007-000084	R-CHIP;4.7Kohm,5%,1/10W,TP,1608	
.....6DR05	2007-000074	R-CHIP;100ohm,5%,1/10W,TP,1608	6R927	2007-000084	R-CHIP;4.7Kohm,5%,1/10W,TP,1608	
.....6DR06	2007-000074	R-CHIP;100ohm,5%,1/10W,TP,1608	6R928	2007-000084	R-CHIP;4.7Kohm,5%,1/10W,TP,1608	
.....6DR09	2007-000074	R-CHIP;100ohm,5%,1/10W,TP,1608	6R938	2007-000084	R-CHIP;4.7Kohm,5%,1/10W,TP,1608	
.....6DR10	2007-000074	R-CHIP;100ohm,5%,1/10W,TP,1608	6R954	2007-000084	R-CHIP;4.7Kohm,5%,1/10W,TP,1608	
.....6DR11	2007-000074	R-CHIP;100ohm,5%,1/10W,TP,1608	6R957	2007-000084	R-CHIP;4.7Kohm,5%,1/10W,TP,1608	
.....6DR16	2007-000074	R-CHIP;100ohm,5%,1/10W,TP,1608	6DR13	2007-000086	R-CHIP;5.6Kohm,5%,1/10W,TP,1608	
.....6DR17	2007-000074	R-CHIP;100ohm,5%,1/10W,TP,1608	6DR14	2007-000086	R-CHIP;5.6Kohm,5%,1/10W,TP,1608	
.....6DR18	2007-000074	R-CHIP;100ohm,5%,1/10W,TP,1608	6DR66	2007-000088	R-CHIP;7.5Kohm,5%,1/10W,TP,1608	
.....6DR19	2007-000074	R-CHIP;100ohm,5%,1/10W,TP,1608	6R913	2007-000088	R-CHIP;7.5Kohm,5%,1/10W,TP,1608	
.....6DR21	2007-000074	R-CHIP;100ohm,5%,1/10W,TP,1608	6DR47	2007-000090	R-CHIP;10Kohm,5%,1/10W,TP,1608	
.....6DR30	2007-000074	R-CHIP;100ohm,5%,1/10W,TP,1608	6DR61	2007-000090	R-CHIP;10Kohm,5%,1/10W,TP,1608	
.....6DR35	2007-000074	R-CHIP;100ohm,5%,1/10W,TP,1608	6DR62	2007-000090	R-CHIP;10Kohm,5%,1/10W,TP,1608	
.....6DR36	2007-000074	R-CHIP;100ohm,5%,1/10W,TP,1608	6DR64	2007-000090	R-CHIP;10Kohm,5%,1/10W,TP,1608	
.....6DR49	2007-000074	R-CHIP;100ohm,5%,1/10W,TP,1608	6DR80	2007-000090	R-CHIP;10Kohm,5%,1/10W,TP,1608	
.....6DR50	2007-000074	R-CHIP;100ohm,5%,1/10W,TP,1608	6ER09	2007-000090	R-CHIP;10Kohm,5%,1/10W,TP,1608	
.....6DR51	2007-000074	R-CHIP;100ohm,5%,1/10W,TP,1608	6R912	2007-000090	R-CHIP;10Kohm,5%,1/10W,TP,1608	
.....6DR58	2007-000074	R-CHIP;100ohm,5%,1/10W,TP,1608	6R932	2007-000090	R-CHIP;10Kohm,5%,1/10W,TP,1608	
.....6DR59	2007-000074	R-CHIP;100ohm,5%,1/10W,TP,1608	6R935	2007-000090	R-CHIP;10Kohm,5%,1/10W,TP,1608	
.....6DR60	2007-000074	R-CHIP;100ohm,5%,1/10W,TP,1608	6R949	2007-000090	R-CHIP;10Kohm,5%,1/10W,TP,1608	
.....6DR65	2007-000074	R-CHIP;100ohm,5%,1/10W,TP,1608	6R956	2007-000090	R-CHIP;10Kohm,5%,1/10W,TP,1608	
.....6DR88	2007-000074	R-CHIP;100ohm,5%,1/10W,TP,1608	6R964	2007-000090	R-CHIP;10Kohm,5%,1/10W,TP,1608	
.....6ER01	2007-000074	R-CHIP;100ohm,5%,1/10W,TP,1608	6R965	2007-000090	R-CHIP;10Kohm,5%,1/10W,TP,1608	

Loc. No.	Code No.	Description ; Specification	Remark	Loc. No.	Code No.	Description ; Specification	Remark
....4	D0254	AA32-00012A	MODULE REMOCON;ORC-50HF2,38KHZ,940NM,MES				
....4		AA97-15267A	ASSY AUTO-CONTROL;29M20,S61A,NEGOTIATOR S.N.A				
....5	DY01	0401-000005	DIODE-SWITCHING;1N4148,75V,150MA,DO-35,T				
....5	DY02	0401-000005	DIODE-SWITCHING;1N4148,75V,150MA,DO-35,T				
....5	DZY01	0403-000508	DIODE-ZENER;MTZJ5.6B,5.45-5.73V,500MW,DO				
....5	DZY02	0403-000508	DIODE-ZENER;MTZJ5.6B,5.45-5.73V,500MW,DO				
....5	RY01	2001-000020	R-CARBON(S);220HM,5%,1/2W,AA,TP,2.4X6.4M				
....5	LY01	2701-000136	INDUCTOR-AXIAL;18UH,10%,2534				
....5	SWY07	3404-000243	SWITCH-TACT;15V,20mA,160gf+-50gf,6x3.4mm				
....5	SWY08	3404-000243	SWITCH-TACT;15V,20mA,160gf+-50gf,6x3.4mm				
....5	SWY09	3404-000243	SWITCH-TACT;15V,20mA,160gf+-50gf,6x3.4mm				
....5	SWY10	3404-000243	SWITCH-TACT;15V,20mA,160gf+-50gf,6x3.4mm				
....5	SWY11	3404-000243	SWITCH-TACT;15V,20mA,160gf+-50gf,6x3.4mm				
....5	CY01	2401-002144	C-AL;47uF,20%,16V,GP,TP,5x11,5				
....5	M0119	AA41-01004A	PCB CONTROL;CS29M20,FR-1,1,A,245*245,S61	S.N.A			
....5	RY04	2001-000007	R-CARBON;3KOHM,5%,1/8W,AA,TP,1.8X3.2MM				
....5	RY06	2001-000009	R-CARBON;20KOHM,5%,1/8W,AA,TP,1.8X3.2MM				
....5	RY03	2001-000577	R-CARBON;2KOHM,5%,1/8W,AA,TP,1.8X3.2MM				
....5	RY05	2001-000878	R-CARBON;6.2KOHM,5%,1/8W,AA,TP,1.8X3.2MM				
....4	T0245	AA39-00385A	LEAD CONNECTOR-ASSY;GOLR RUSH,UL1007#26,				
....3		AA98-02570A	ASSY K/D-PACKING;CONTROL,S61A,NEGOTIATORS.N.A				

ASSY P/MATERIAL

1	M0113	AA92-09006R	ASSY P/MATERIAL;CS29M20SSNSKLG	S.N.A
..2	T0524	6902-000007	BAG PE;HDPE/NITRON/HDPE,T0.015/T0.5/T0.0	S.N.A
..2	T0214	AA60-40007A	PIN-STAPLE;HAND,H18,W35,H18,W35	S.N.A
..2	T0172	AA69-02609A	BAND-PP;W18,CLEA,1G	S.N.A

ASSY ACCESSORY

1	M0045	AA92-09052A	ASSY ACCESSORY;CS29M6SPNX/BWT,S61A,NET	S.N.A
..2	T0524	6902-000009	BAG PE;HDPE,T0.03,L400,W240,TRP,8,2,PE M	S.N.A
..2	T0074	AA59-00357B	REMOCON;Negotiator,TM76B,XP0,G6148,44,LN	
..3	T0122	2802-000194	RESONATOR-CERAMIC;8MHz,1.0%,TP,8.5x4.5x5	
....3	T0119	AA09-00371A	IC MICOM;SZTM-839C R-52MX,28PIN,16KBYTE,	
..2	5	AA68-00816B	CARD WARRANTY-05;RUSSINA.2,W/P 120G,BOT	S.N.A
..2	T0269	AA68-01120A	MANUAL SERVICE;-,-,CIS,A4,6PAGE(FOLD),W/	S.N.A
..2		AA68-01402A	MANUAL-GOOD WILL LETTER;-,-,CIS,B5,1PAGE,A/	S.N.A
..2	3	AA68-03278A	MANUAL-03,CARD WARRANTY;CIS ALL MODEL,CI	S.N.A
..2	M0753	AA68-03335A	MANUAL USERS-04;Negotiator,BWT,RUS,CIS,S	S.N.A
..2	0	AA68-03242B	MANUAL-SAFETY GUIDE;TH-ENG,SAFETY GUIDE	S.N.A
..2		AA68-03576A	MANUAL-00 REGISTRATION CARD;BWT,RU,RUSSI	S.N.A

ASSY SKD PART

1		AA92-09942G	ASSY SKD PART;CS29M20SPNSKLG,S61A,NEGO	S.N.A
△	..2	T0268	AA39-10003B	CBF-POWER CORD;-,-,KJP-140,KLCE-2F,2.4m,HO
..2	T0010	AA61-20284A	HOLDER;P-CORD,PP;-,-,-,BLK,VO,KE-002	S.N.A
..2	CIS1	AA65-30110A	CLAMPER CORE-WIRE;ALL MODEL,NYLON 66,V2,	S.N.A

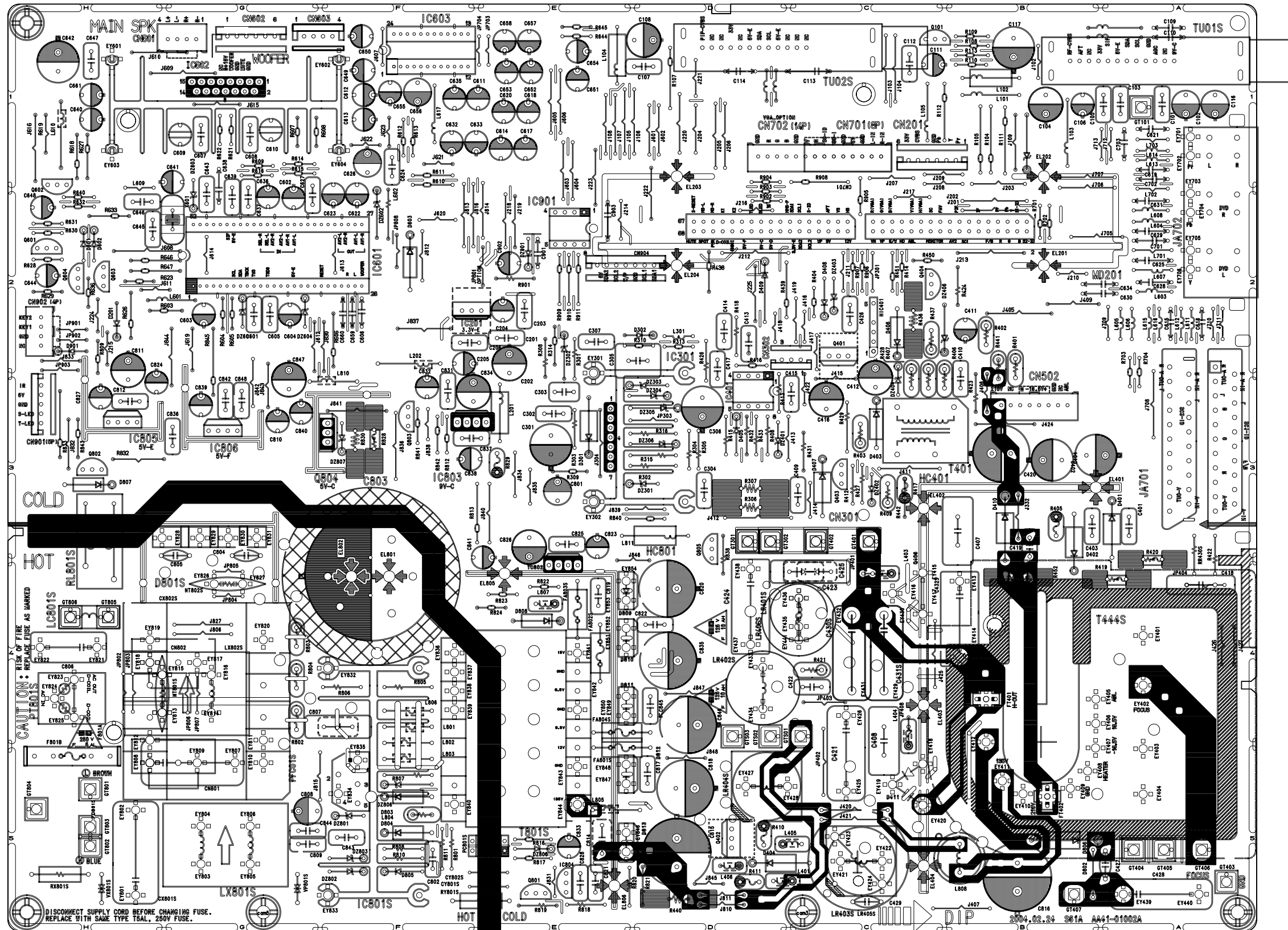
ASSY K/D-SKD P/MATERIAL

1		AA98-01629A	ASSY K/D-SKD P/MATERIAL;CTV,SKD FORMAT-3	S.N.A
..2	T0376	6902-000061	BAG AIR;LDPE,T0.2,L1000,W500,TRP,,	S.N.A
..2	T0376	6902-000001	BAG AIR;LDPE,T0.2,L1800,W1000,TRP,,LDPE	S.N.A
..2		AA69-90001A	CHEMICALS-SILICAGEL;-,-,-,-,M2.5GR,-,-	S.N.A
..2	T0214	AA60-40006A	PIN-STAPLE;AUTO,33X17.8X2.4,H18,33X17.8X	S.N.A
..2	T0172	AA69-02609A	BAND-PP;W18,CLEA,1G	S.N.A
..2		6902-000604	BAG WRAPPING;LDPE,T0.02,W500,L10000,TRP,	S.N.A

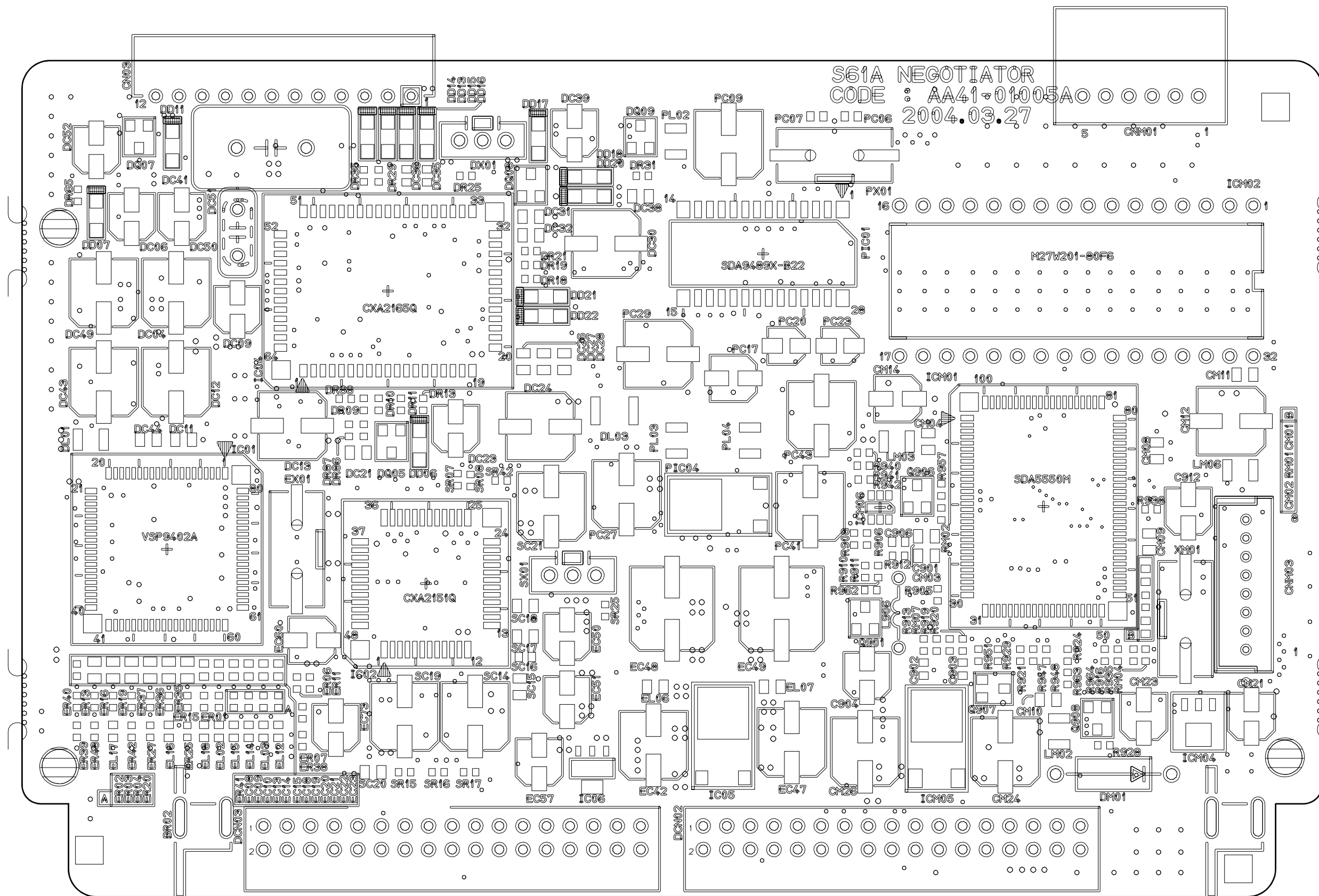
MEMO

5. PCB Diagrams

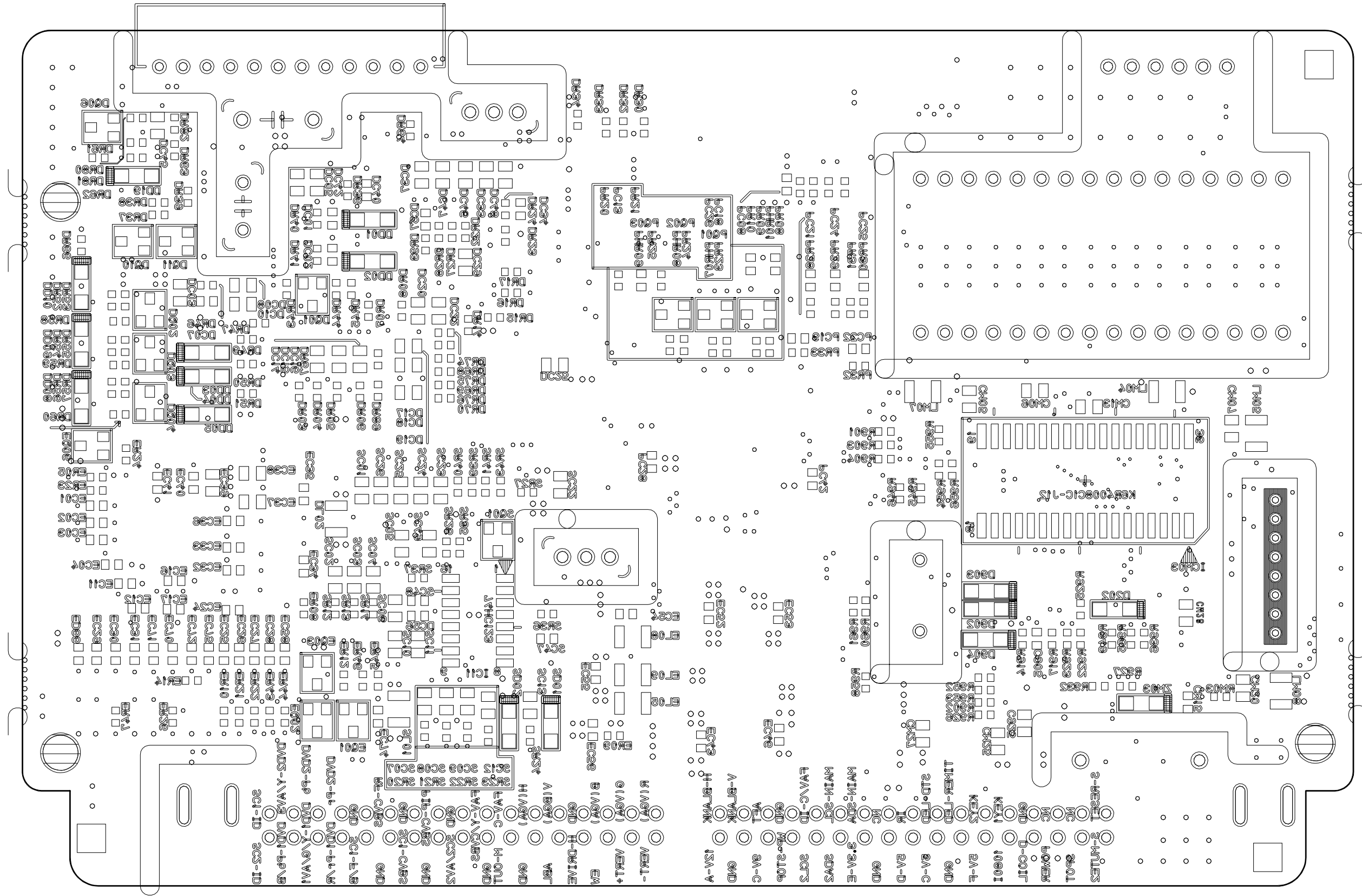
5-1 MAIN PCB



5-2 F-BOX PCB1



5-3 F-BOX PCB2



6. Schematic Diagrams

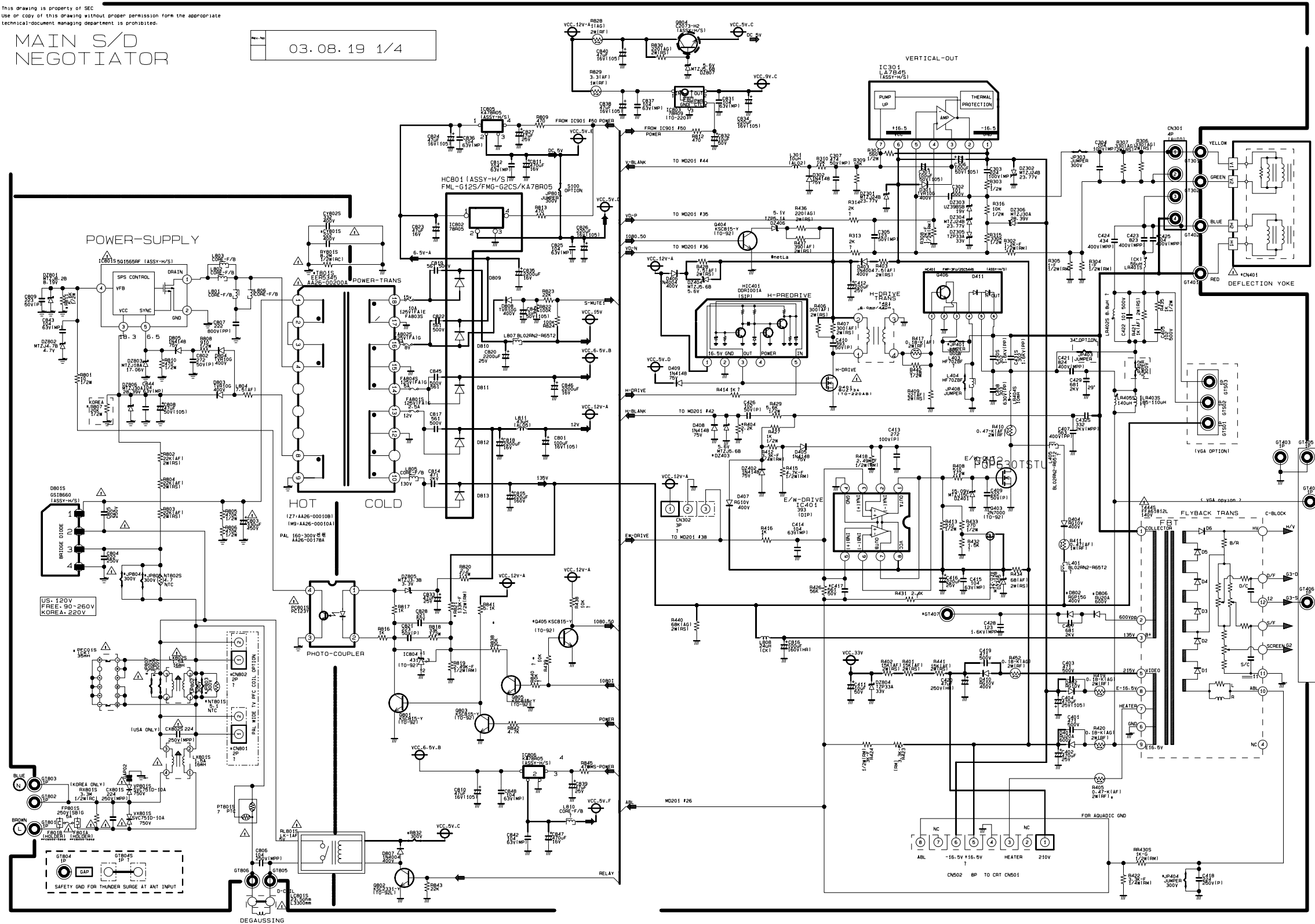
6-1 MAIN 1

This Document can not be used without Samsung's authorization.

This drawing is property of SEC
Use or copy of this drawing without proper permission from the appropriate
technical-document managing department is prohibited.

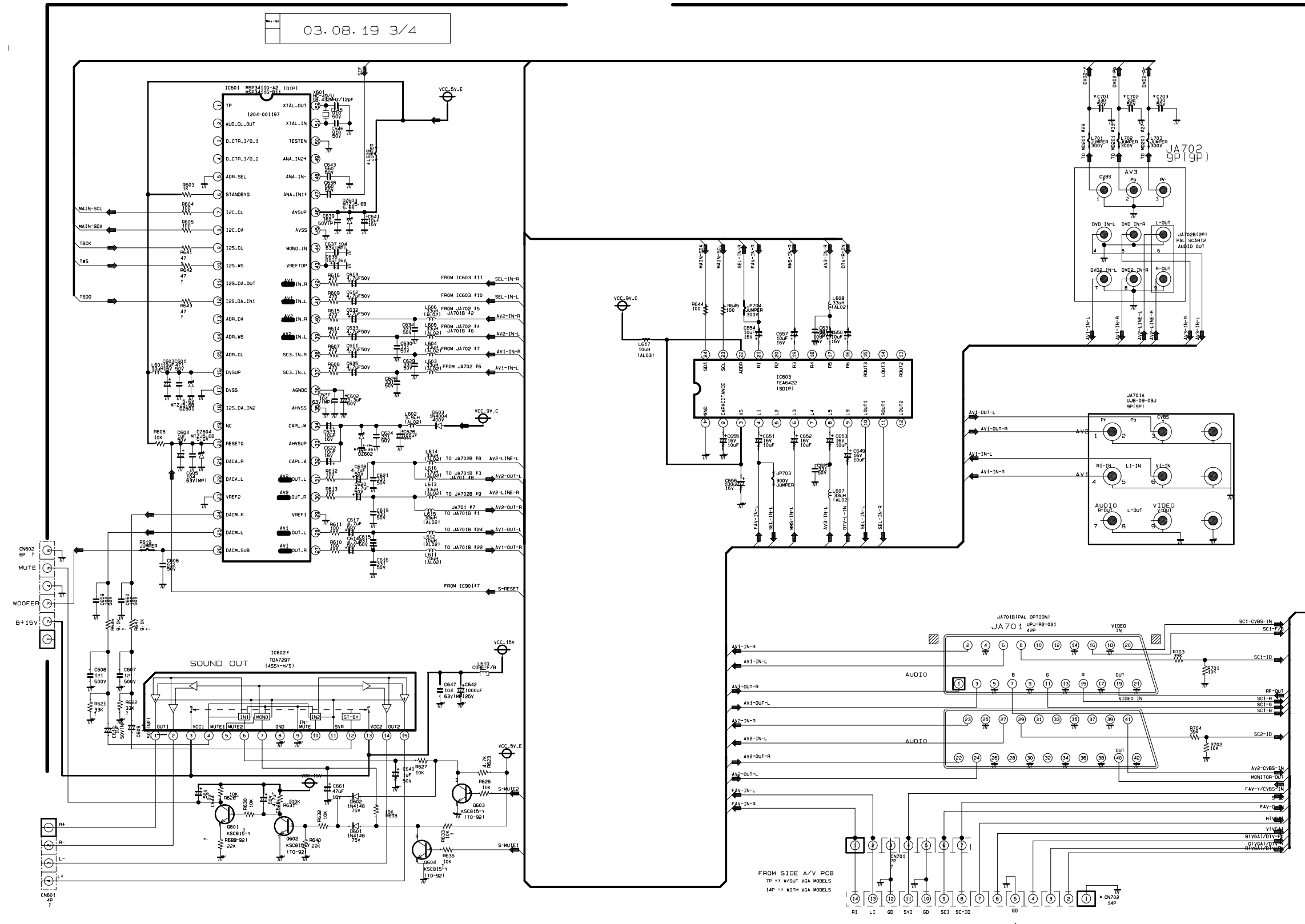
MAIN S/D NEGOTIATOR

03.08.19 1/4



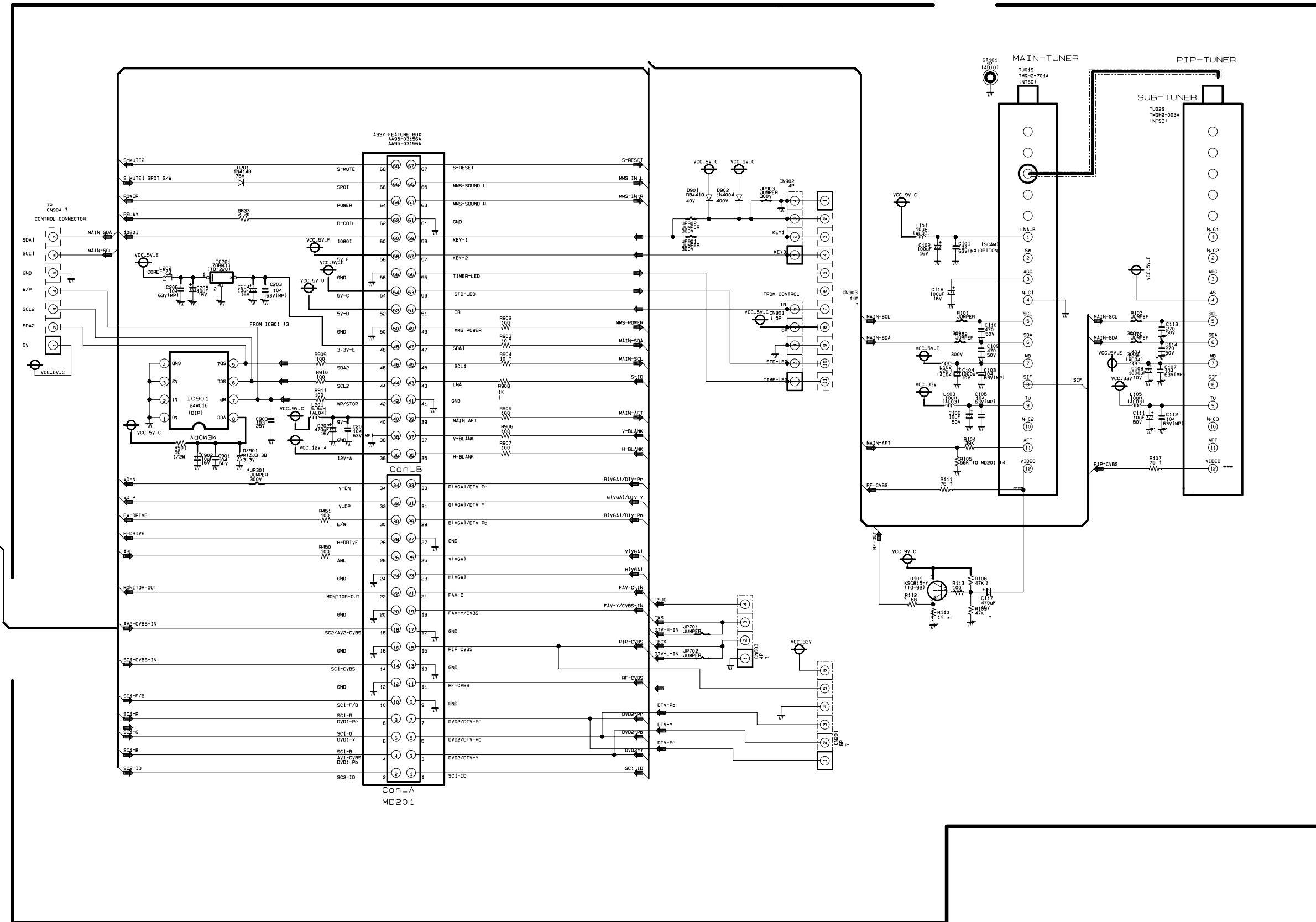
6-2 MAIN 2

This Document can not be used without Samsung's authorization.



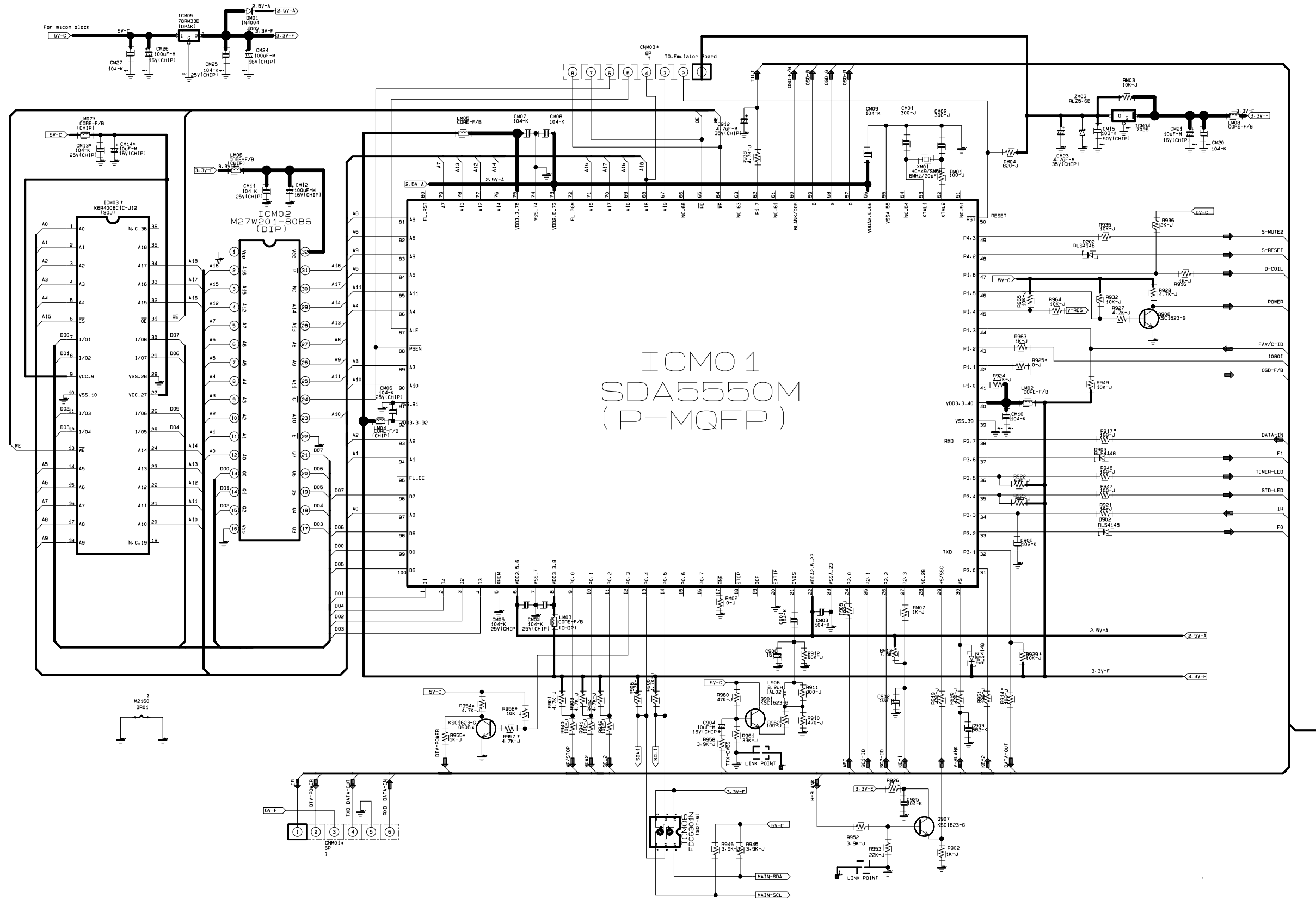
6-3 MAIN 3

This Document can not be used without Samsung's authorization.



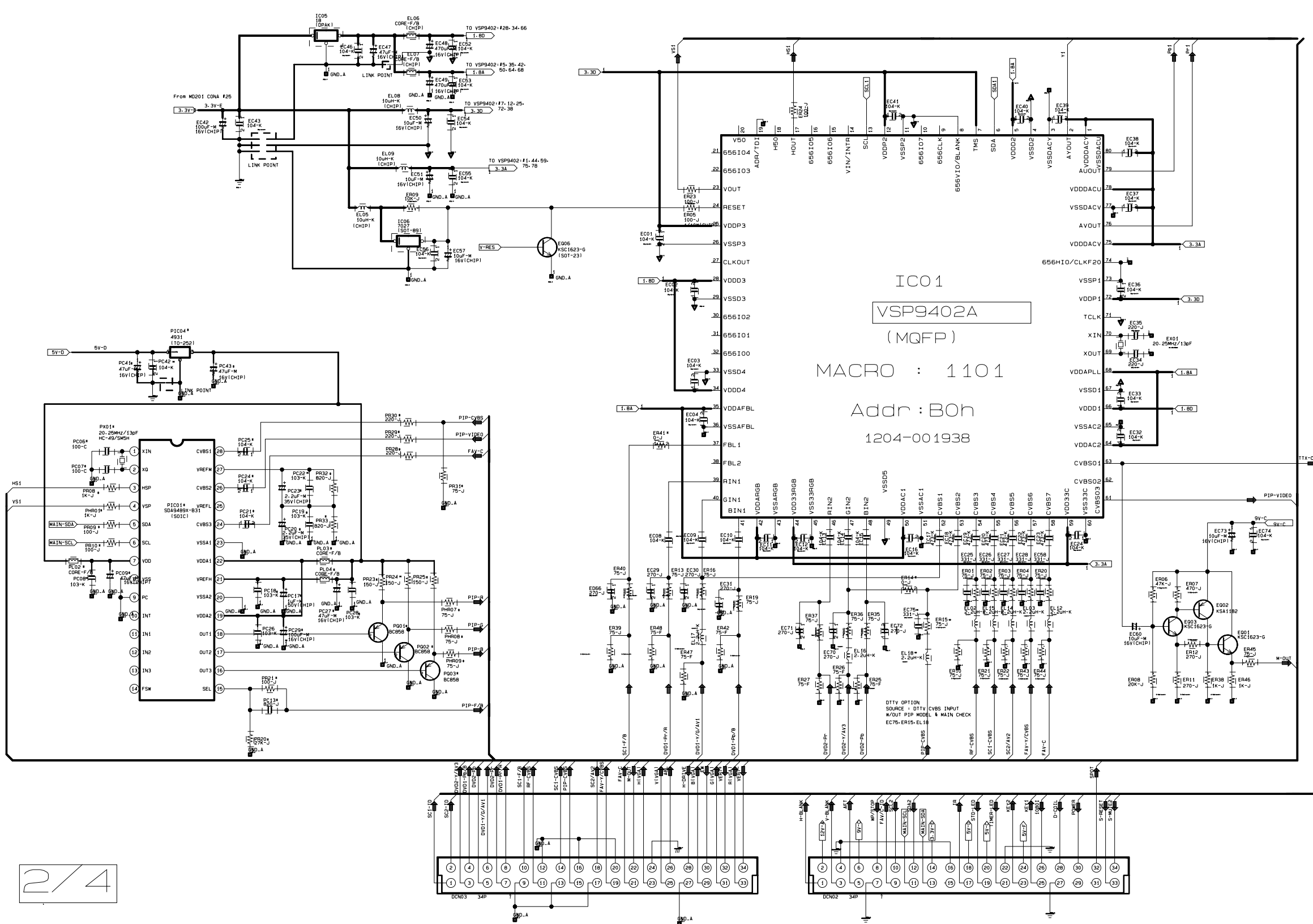
6-4 F-BOX 1

This Document can not be used without Samsung's authorization.



6-5 F-BOX 2

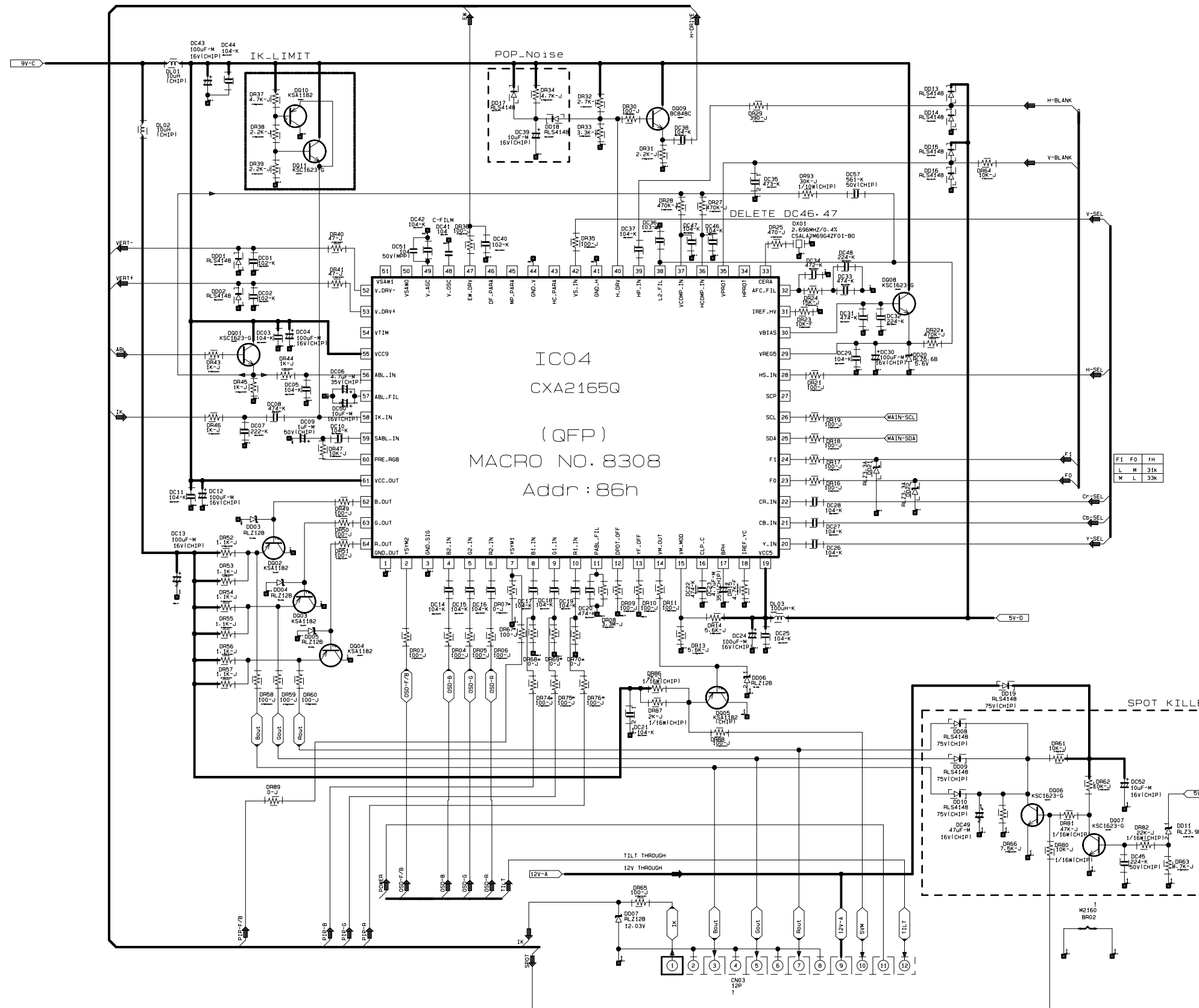
This Document can not be used without Samsung's authorization.



2/4

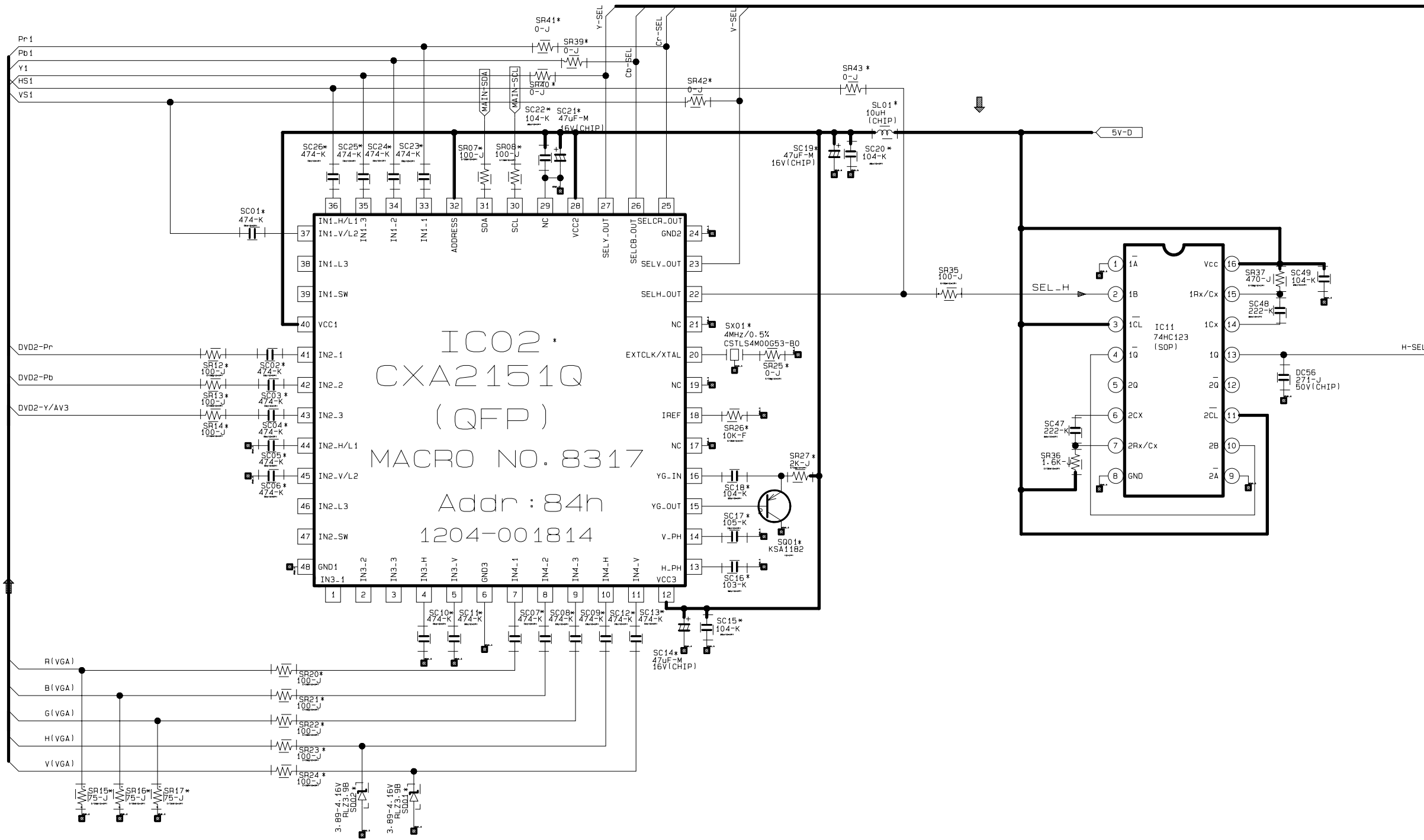
6-6 F-BOX 3

This Document can not be used without Samsung's authorization.



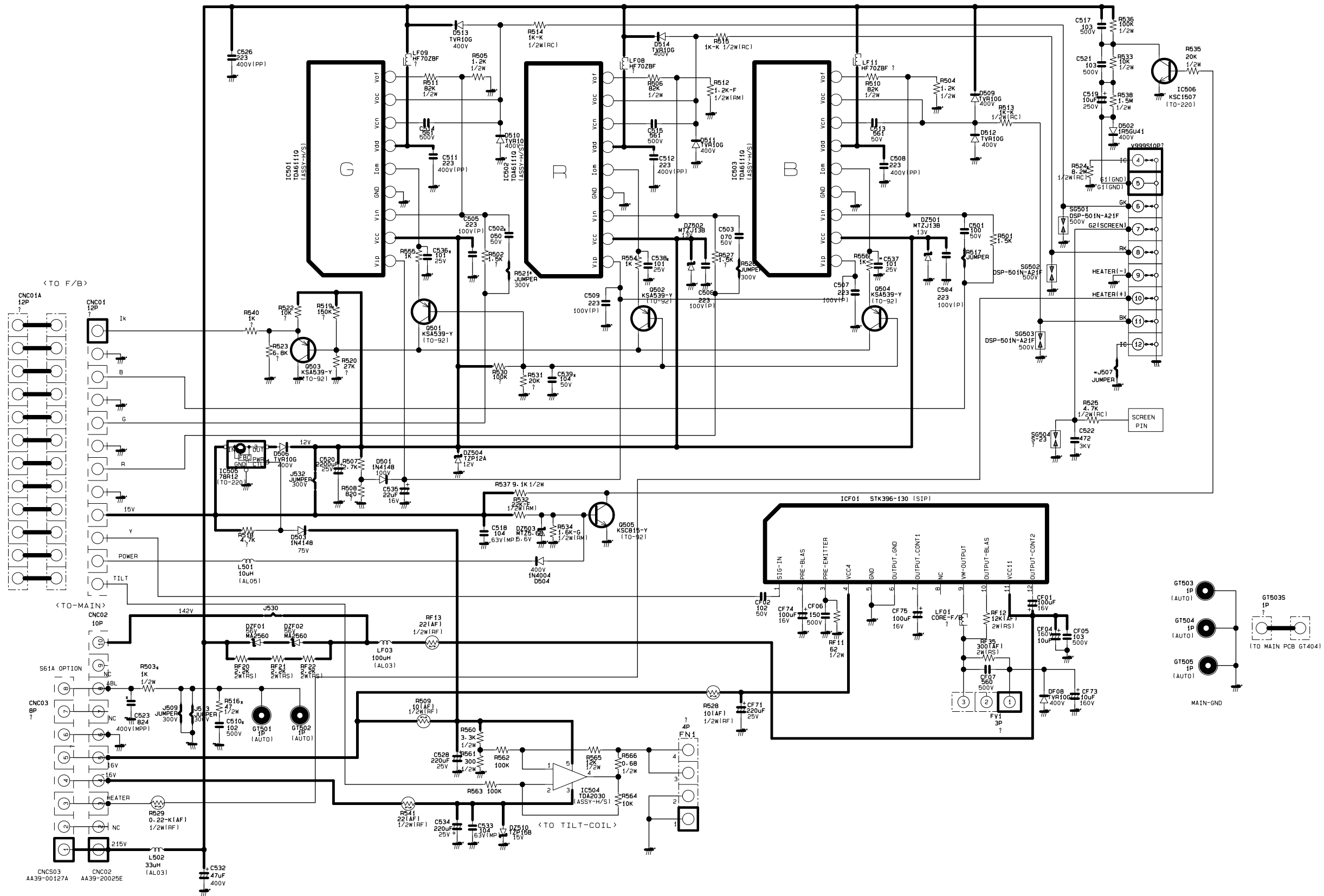
6-7 F-BOX 4

This Document can not be used without Samsung's authorization.



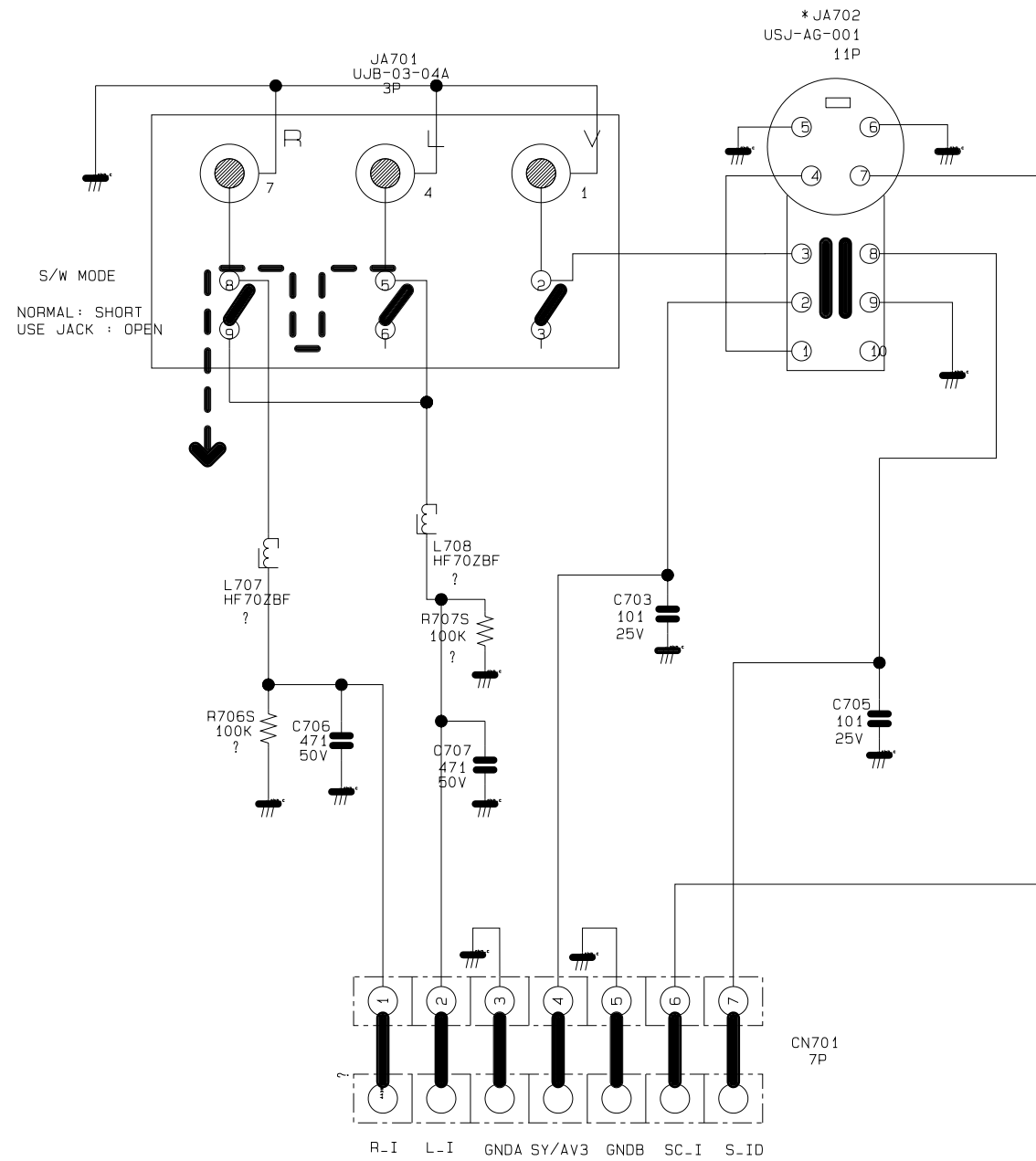
6-8 CRT

This Document can not be used without Samsung's authorization.



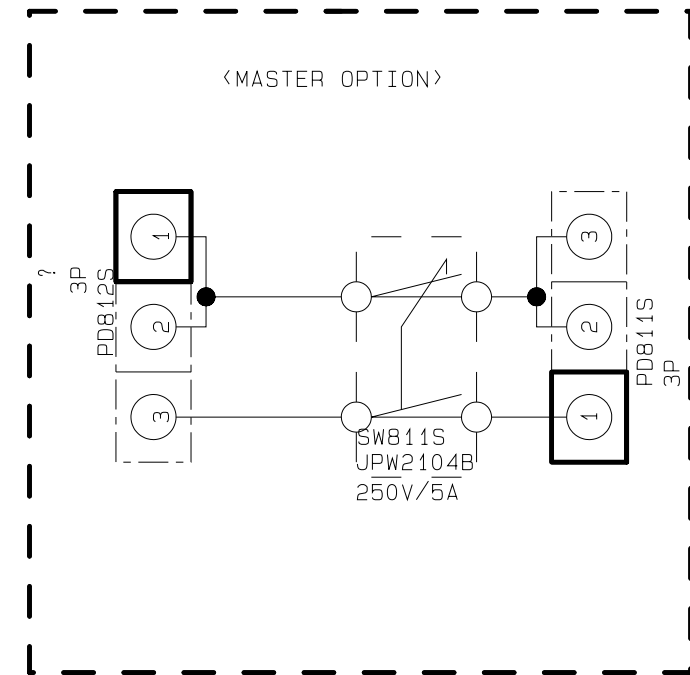
6-9 SIDE A/V

This Document can not be used without Samsung's authorization.



6-10 MASTER

This Document can not be used without Samsung's authorization.



6-11 CONTROL

This Document can not be used without Samsung's authorization.

