

# CS2844, CS3844, CS2845, CS3845



ON Semiconductor™

<http://onsemi.com>

## Current Mode PWM Control Circuit with 50% Max Duty Cycle

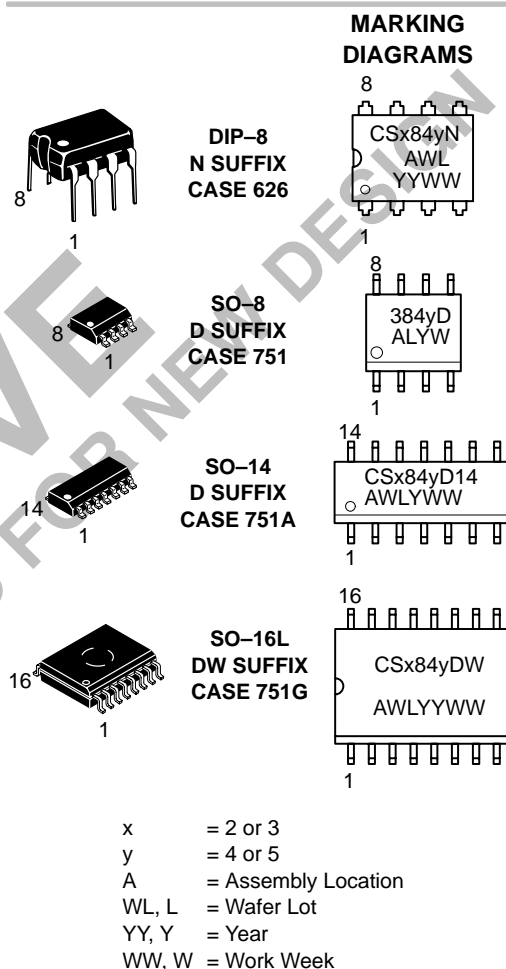
The CS3844/45 provides all the necessary features to implement off-line fixed frequency current-mode control with a minimum number of external components.

The CS3844 family incorporates a new precision temperature-controlled oscillator to minimize variations in frequency. An internal toggle flip-flop, which blanks the output every other clock cycle, limits the duty-cycle range to less than 50%. An undervoltage lockout ensures that  $V_{REF}$  is stabilized before the output stage is enabled. In the CS2844/CS3844 turn on occurs at 16 V and turn off at 10 V. In the CS2845/CS3845 turn on is at 8.4 V and turn off at 7.6 V.

Other features include low start-up current, pulse-by-pulse current limiting, and a high-current totem pole output for driving capacitive loads, such as gate of a power MOSFET. The output is low in the off state, consistent with N-channel devices.

### Features

- Optimized for Off-Line Control
- Temp. Compensated Oscillator
- 50% Max Duty-Cycle Clamp
- $V_{REF}$  Stabilized Before Output Stage Is Enabled
- Low Start-Up Current
- Pulse-By-Pulse Current Limiting
- Improved Undervoltage Lockout
- Double Pulse Suppression
- 1.0% Trimmed Bandgap Reference
- High Current Totem Pole Output



### ORDERING INFORMATION

See detailed ordering and shipping information in the package dimensions section on page 7 of this data sheet.

# CS2844, CS3844, CS2845, CS3845

## PIN CONNECTIONS

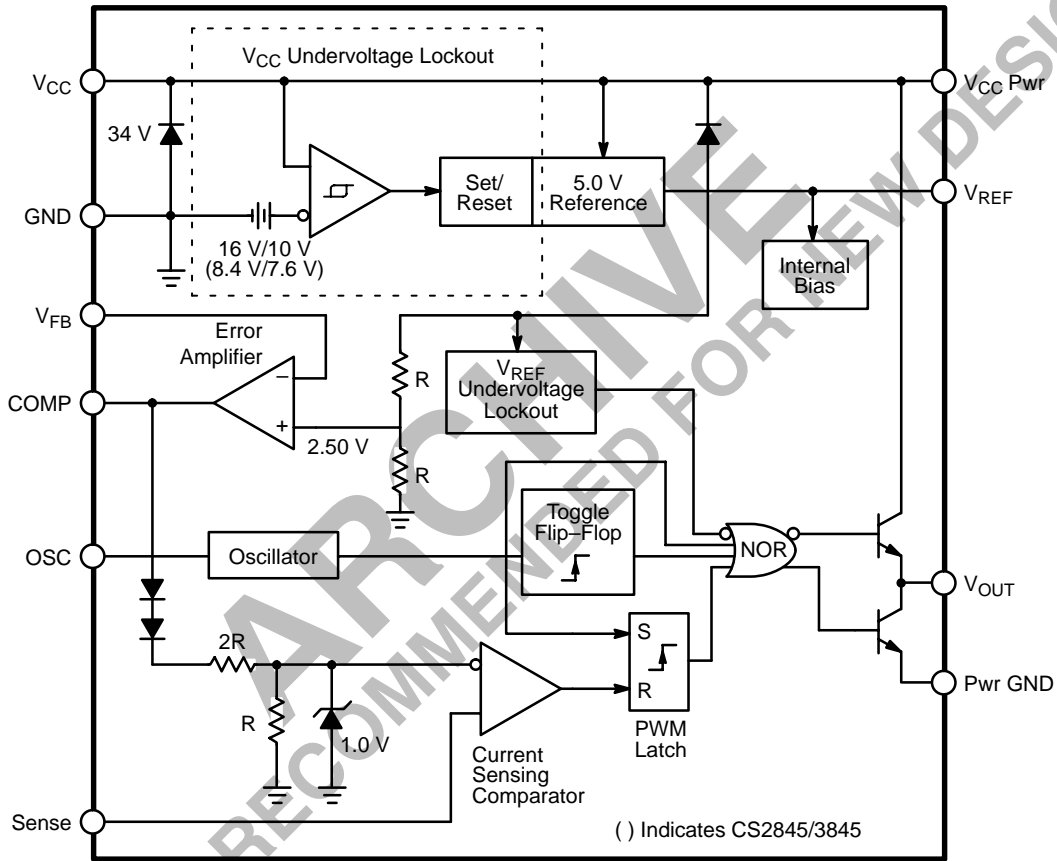
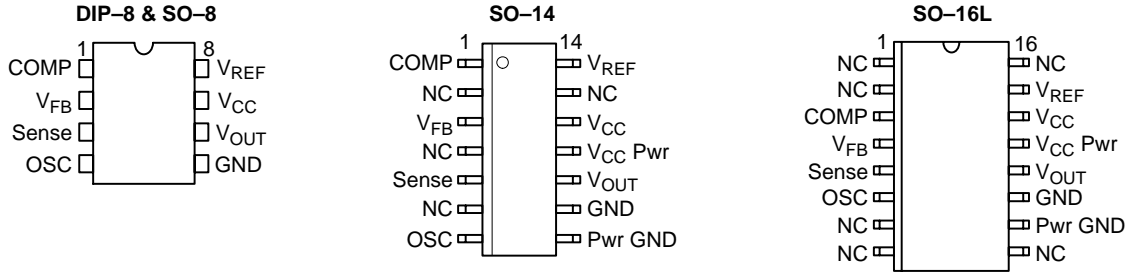


Figure 1. Block Diagram

# CS2844, CS3844, CS2845, CS3845

## MAXIMUM RATINGS\*

Rating	Value	Unit
Supply Voltage ( $I_{CC} < 30 \text{ mA}$ )	Self Limiting	–
Supply Voltage (Low Impedance Source)	30	V
Output Current	$\pm 1.0$	A
Output Energy (Capacitive Load)	5.0	$\mu\text{J}$
Analog Inputs ( $V_{FB}$ , Sense)	–0.3 to + 5.5	V
Error Amp Output Sink Current	10	mA
Package Thermal Resistance, PDIP–8 Junction–to–Case, $R_{\theta JC}$ Junction–to–Ambient, $R_{\theta JA}$	52 100	$^{\circ}\text{C/W}$ $^{\circ}\text{C/W}$
Package Thermal Resistance, SO–8 Junction–to–Case, $R_{\theta JC}$ Junction–to–Ambient, $R_{\theta JA}$	45 165	$^{\circ}\text{C/W}$ $^{\circ}\text{C/W}$
Package Thermal Resistance, SO–14 Junction–to–Case, $R_{\theta JC}$ Junction–to–Ambient, $R_{\theta JA}$	30 125	$^{\circ}\text{C/W}$ $^{\circ}\text{C/W}$
Package Thermal Resistance, SO–16L Junction–to–Case, $R_{\theta JC}$ Junction–to–Ambient, $R_{\theta JA}$	23 105	$^{\circ}\text{C/W}$ $^{\circ}\text{C/W}$
Lead Temperature Soldering:	Wave Solder (through hole styles only) (Note 1) Reflow (SMD styles only) (Note 2)	260 peak 230 peak $^{\circ}\text{C}$ $^{\circ}\text{C}$

1. 10 second maximum.

2. 60 second maximum above 183°C.

\*The maximum package power dissipation must be observed.

## ELECTRICAL CHARACTERISTICS ( $-25^{\circ} \leq T_A \leq 85^{\circ}$ for CS2844/2845, $0^{\circ} \leq T_A \leq 70^{\circ}$ for CS3844/CS3845.)

$V_{CC} = 15 \text{ V}^*$ ;  $R_T = 10 \text{ k}\Omega$ ,  $C_T = 3.3 \text{ nF}$  for sawtooth mode; unless otherwise stated.)

Characteristic	Test Conditions	CS2844/CS2845			CS3844/CS3845			Unit
		Min	Typ	Max	Min	Typ	Max	

### Reference Section

Output Voltage	$T_J = 25^{\circ}\text{C}$ , $I_{REF} = 1.0 \text{ mA}$	4.95	5.00	5.05	4.90	5.00	5.10	V
Line Regulation	$12 \leq V_{CC} \leq 25 \text{ V}$	–	6.0	20	–	6.0	20	mV
Load Regulation	$1.0 \leq I_{REF} \leq 20 \text{ mA}$	–	6.0	25	–	6.0	25	mV
Temperature Stability	Note 3.	–	0.2	0.4	–	0.2	0.4	$\text{mV}/^{\circ}\text{C}$
Total Output Variation	Line, Load, Temperature. Note 3.	4.90	–	5.10	4.82	–	5.18	V
Output Noise Voltage	$10 \text{ Hz} \leq f \leq 10 \text{ kHz}$ , $T_J = 25^{\circ}\text{C}$ . Note 3.	–	50	–	–	50	–	$\mu\text{V}$
Long Term Stability	$T_A = 125^{\circ}\text{C}$ , 1000 Hrs. Note 3.	–	5.0	25	–	5.0	25	mV
Output Short Circuit	$T_A = 25^{\circ}\text{C}$	–30	–100	–180	–30	–100	–180	mA

### Oscillator Section

Initial Accuracy	Sawtooth Mode, $T_J = 25^{\circ}\text{C}$	47	52	57	47	52	57	kHz
Voltage Stability	$12 \leq V_{CC} \leq 25 \text{ V}$	–	0.2	1.0	–	0.2	1.0	%
Temperature Stability	Sawtooth Mode $T_{MIN} \leq T_A \leq T_{MAX}$ . Note 3.	–	5.0	–	–	5.0	–	%
Amplitude	$V_{OSC}$ (peak to peak)	–	1.7	–	–	1.7	–	V

3. These parameters, although guaranteed, are not 100% tested in production.

\*Adjust  $V_{CC}$  above the start threshold before setting at 15 V.

# CS2844, CS3844, CS2845, CS3845

**ELECTRICAL CHARACTERISTICS (continued)** ( $-25^{\circ} \leq T_A \leq 85^{\circ}$  for CS2844/2845,  $0^{\circ} \leq T_A \leq 70^{\circ}$  for CS3844/CS3845.  
 $V_{CC} = 15\text{ V}^*$ ;  $R_T = 10\text{ k}\Omega$ ,  $C_T = 3.3\text{ nF}$  for sawtooth mode; unless otherwise stated.)

Characteristic	Test Conditions	CS2842A/CS2843A			CS3842A/CS3843A			Unit
		Min	Typ	Max	Min	Typ	Max	

### Error Amp Section

Input Voltage	$V_{COMP} = 2.5\text{ V}$	2.45	2.50	2.55	2.42	2.50	2.58	V
Input Bias Current	$V_{FB} = 0$	–	–0.3	–1.0	–	–0.3	–2.0	$\mu\text{A}$
$A_{VOL}$	$2.0 \leq V_{OUT} \leq 4.0\text{ V}$	65	90	–	65	90	–	dB
Unity Gain Bandwidth	Note 4.	0.7	1.0	–	0.7	1.0	–	MHz
PSRR	$12 \leq V_{CC} \leq 25\text{ V}$	60	70	–	60	70	–	dB
Output Sink Current	$V_{FB} = 2.7\text{ V}$ , $V_{COMP} = 1.1\text{ V}$	2.0	6.0	–	2.0	6.0	–	mA
Output Source Current	$V_{FB} = 2.3\text{ V}$ , $V_{COMP} = 5.0\text{ V}$	–0.5	–0.8	–	–0.5	–0.8	–	mA
$V_{OUT}$ High	$V_{FB} = 2.3\text{ V}$ , $R_L = 15\text{ k}\Omega$ to GND	5.0	6.0	–	5.0	6.0	–	V
$V_{OUT}$ Low	$V_{FB} = 2.7\text{ V}$ , $R_L = 15\text{ k}\Omega$ to $V_{REF}$	–	0.7	1.1	–	0.7	1.1	V

### Current Sense Section

Gain	Notes 5 & 6.	2.85	3.00	3.15	2.85	3.00	3.15	V/V
Maximum Input Signal	$V_{COMP} = 5.0\text{ V}$ . Note 5.	0.9	1.0	1.1	0.9	1.0	1.1	V
PSRR	$12 \leq V_{CC} \leq 25\text{ V}$ . Note 5.	–	70	–	–	70	–	dB
Input Bias Current	$V_{SENSE} = 0$	–	–2.0	–10	–	–2.0	–10	$\mu\text{A}$
Delay to Output	$T_J = 25^{\circ}\text{C}$ . Note 4.	–	150	300	–	150	300	ns

### Output Section

Output Low Level	$I_{SINK} = 20\text{ mA}$	–	0.1	0.4	–	0.1	0.4	V
	$I_{SINK} = 200\text{ mA}$	–	1.5	2.2	–	1.5	2.2	V
Output High Level	$I_{SOURCE} = 20\text{ mA}$	13	13.5	–	13	13.5	–	V
	$I_{SOURCE} = 200\text{ mA}$	12	13.5	–	12	13.5	–	V
Rise Time	$T_J = 25^{\circ}\text{C}$ , $C_L = 1.0\text{ nF}$ . Note 4.	–	50	150	–	50	150	ns
Fall Time	$T_J = 25^{\circ}\text{C}$ , $C_L = 1.0\text{ nF}$ . Note 4.	–	50	150	–	50	150	ns

### Total Standby Current

Startup Current	–	–	0.5	1.0	–	0.5	1.0	mA
Operating Supply Current	$V_{FB} = V_{SENSE} = 0\text{ V}$ , $R_T = 10\text{ k}\Omega$ , $C_T = 3.3\text{ nF}$	–	11	17	–	11	17	mA
$V_{CC}$ Zener Voltage	$I_{CC} = 25\text{ mA}$	–	34	–	–	34	–	V

### PWM Section

Maximum Duty Cycle	–	46	48	50	46	48	50	%
Minimum Duty Cycle	–	–	–	0	–	–	0	%

4. These parameters, although guaranteed, are not 100% tested in production.

5. Parameters measured at trip point of latch with  $V_{FB} = 0$ .

6. Gain defined as:  $A = \Delta V_{COMP} / \Delta V_{SENSE}$ ;  $0 \leq V_{SENSE} \leq 0.8\text{ V}$ .

\*Adjust  $V_{CC}$  above the start threshold before setting at 15 V.

# CS2844, CS3844, CS2845, CS3845

**ELECTRICAL CHARACTERISTICS (continued)** ( $-25^{\circ} \leq T_A \leq 85^{\circ}$  for CS2844/2845,  $0^{\circ} \leq T_A \leq 70^{\circ}$  for CS3844/CS3845.

$V_{CC} = 15\text{ V}^*$ ;  $R_T = 10\text{ k}\Omega$ ,  $C_T = 3.3\text{ nF}$  for sawtooth mode; unless otherwise stated.)

Characteristic	Test Conditions	CS2844			CS3844			CS2845/CS3845			Unit
		Min	Typ	Max	Min	Typ	Max	Min	Typ	Max	

## Undervoltage Lockout Section

Start Threshold	–	15	16	17	14.5	16	17.5	7.8	8.4	9.0	V
Min. Operating Voltage	After Turn On	9.0	10	11	8.5	10	11.5	7.0	7.6	8.2	V

\*Adjust  $V_{CC}$  above the start threshold before setting at 15 V.

## PACKAGE PIN DESCRIPTION

Package Pin Number			Symbol	Description
DIP-8 & SO-8	SO-14	Symbol		
1	1	3	COMP	Error amp output, used to compensate error amplifier.
2	3	4	$V_{FB}$	Error amp inverting input.
3	5	5	Sense	Noninverting input to Current Sense Comparator.
4	7	6	OSC	Oscillator timing network with capacitor to ground, resistor to $V_{REF}$ .
5	9	11	GND	Ground.
–	8	10	Pwr GND	Output driver ground.
6	10	12	$V_{OUT}$	Output drive pin.
–	11	13	$V_{CC}$ Pwr	Output driver positive supply.
7	12	14	$V_{CC}$	Positive power supply.
8	14	15	$V_{REF}$	Output of 5.0 V internal reference.
–	2, 4, 6, 13	1, 2, 7, 8, 9, 16	NC	No connection.

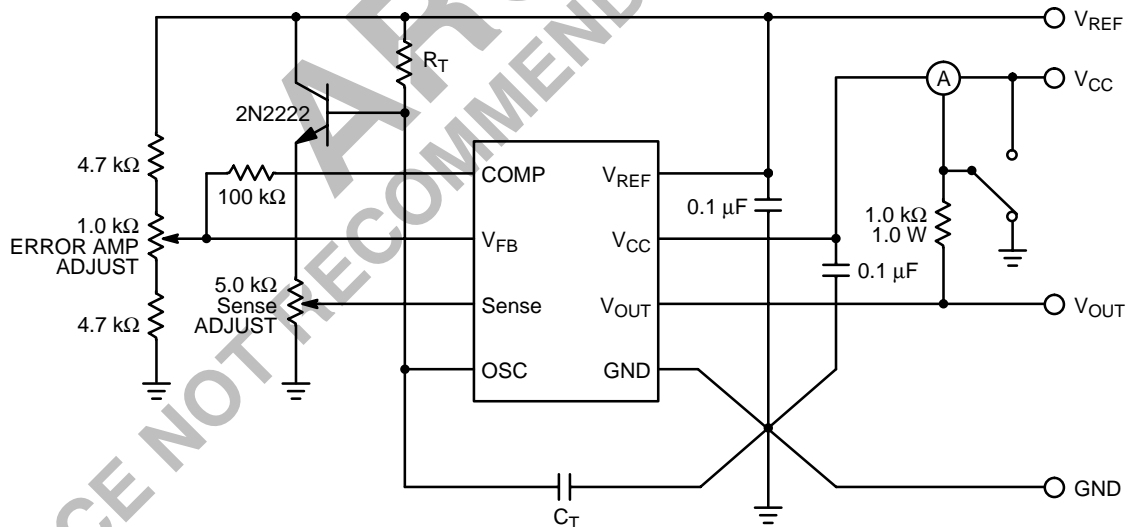


Figure 2. Test Circuit Open Loop Laboratory Test Fixture

CIRCUIT DESCRIPTION

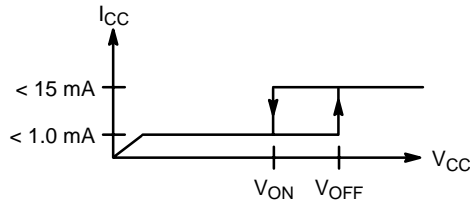
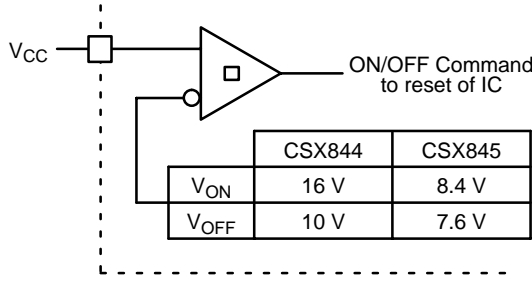


Figure 3. Startup Voltage for CSX844 and CSX845

Undervoltage Lockout

During Undervoltage Lockout (Figure 3), the output driver is biased to sink minor amounts of current. The output should be shunted to ground with a resistor to prevent activating the power switch with extraneous leakage currents.

PWM Waveform

To generate the PWM waveform, the control voltage from the error amplifier is compared to a current sense signal which represents the peak output inductor current (Figure 4). An increase in V<sub>CC</sub> causes the inductor current slope to increase, thus reducing the duty cycle. This is an inherent feed-forward characteristic of current mode control, since the control voltage does not have to change during changes of input supply voltage.

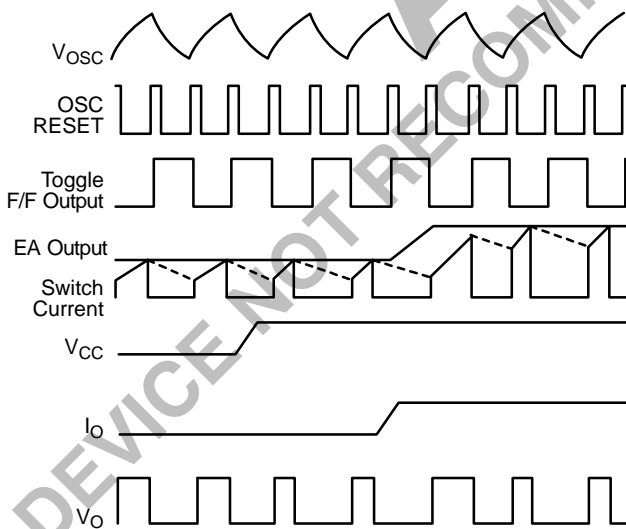


Figure 4. Timing Diagram

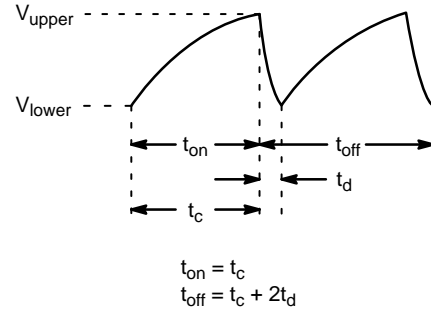


Figure 5. Duty Cycle Parameters

When the power supply sees a sudden large output current increase, the control voltage will increase allowing the duty cycle to momentarily increase. Since the duty cycle tends to exceed the maximum allowed to prevent transformer saturation in some power supplies, the internal oscillator waveform provides the maximum duty cycle clamp as programmed by the selection of OSC components.

Setting the Oscillator

The times t<sub>c</sub> and t<sub>d</sub> can be determined as follows:

$$t_c = RTCT \ln\left(\frac{V_{REF} - V_{lower}}{V_{REF} - V_{upper}}\right)$$

$$t_d = RTCT \ln\left(\frac{V_{REF} - I_d RT - V_{lower}}{V_{REF} - I_d RT - V_{upper}}\right)$$

Substituting in typical values for the parameters in the above formulas:

V<sub>REF</sub> = 5.0 V, V<sub>upper</sub> = 2.7 V, V<sub>lower</sub> = 1.0 V, I<sub>d</sub> = 8.3 mA then:

$$t_c \approx 0.5534RTCT$$

$$t_d = RTCT \ln\left(\frac{2.3 - 0.0083RT}{4.0 - 0.0083RT}\right)$$

For better accuracy R<sub>T</sub> should be ≥ 10 kΩ.

Grounding

High peak currents associated with capacitive loads necessitate careful grounding techniques. Timing and bypass capacitors should be connected close to Gnd in a single point ground.

The transistor and 5.0 kΩ potentiometer are used to sample the oscillator waveform and apply an adjustable ramp to Sense.

## CS2844, CS3844, CS2845, CS3845

### ORDERING INFORMATION

Device	Temperature Range	Package	Shipping
CS2844LN8	-25°C to 85°C	DIP-8	50 Units/Rail
CS2844LD14		SO-14	55 Units/Rail
CS2844LDR14		SO-14	2500 Tape & Reel
CS2844LDW16		SO-16L	48 Units/Rail
CS2844LDWR16		SO-16L	2500 Tape & Reel
CS2845LN8		DIP-8	50 Units/Rail
CS2845DW16		SO-16L	48 Units/Rail
CS2845LDWR16		SO-16L	2500 Tape & Reel
CS3844GN8	0°C to 70°C	DIP-8	50 Units/Rail
CS3844GD8		SO-8	98 Units/Rail
CS3844GDR8		SO-8	2500 Tape & Reel
CS3844GD14		SO-14	55 Units/Rail
CS3844GDR14		SO-14	2500 Tape & Reel
CS3844GDW16		SO-16	48 Units/Rail
CS3844GDWR16		SO-16	2500 Tape & Reel
CS3845GN8		DIP-8	50 Units/Rail
CS3845GD8		SO-8	98 Units/Rail
CS3845GDR8		SO-8	2500 Tape & Reel
CS3845GD14		SO-14	55 Units/Rail
CS3845GDR14		SO-14	2500 Tape & Reel
CS3845GDW16		SO-16L	48 Units/Rail
CS3845GDWR16		SO-16L	2500 Tape & Reel

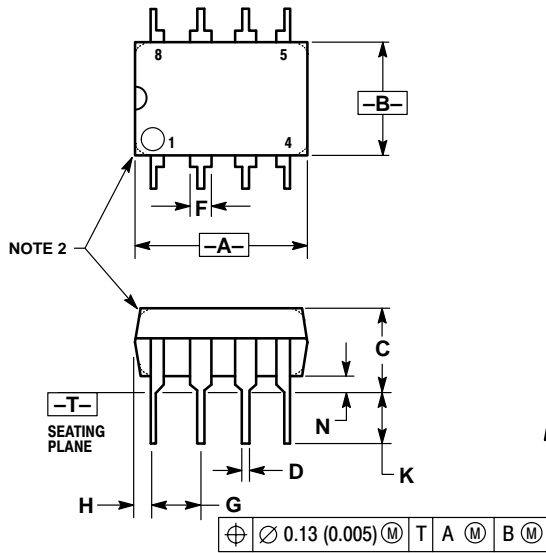
ARCHITECTURE FOR NEW DESIGN

DEVICE NOT RECOMMENDED

# CS2844, CS3844, CS2845, CS3845

## PACKAGE DIMENSIONS

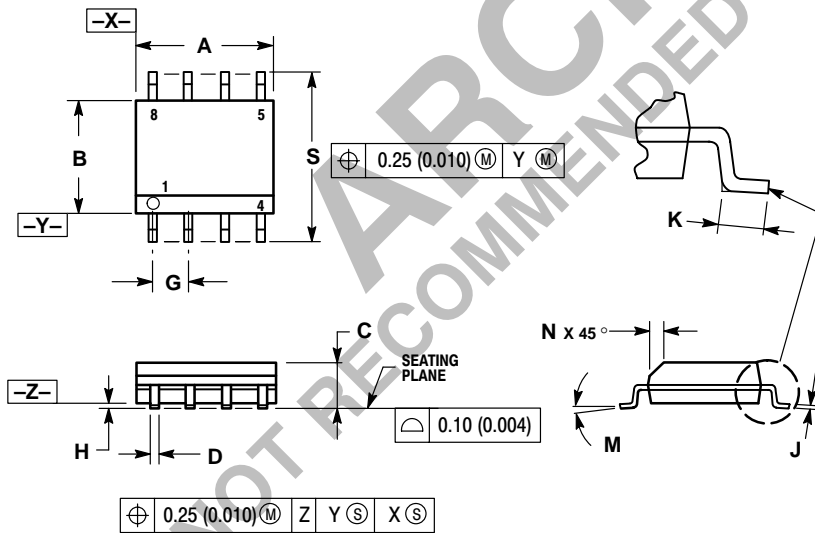
DIP-8  
N SUFFIX  
CASE 626-05  
ISSUE L



- NOTES:
1. DIMENSION L TO CENTER OF LEAD WHEN FORMED PARALLEL.
  2. PACKAGE CONTOUR OPTIONAL (ROUND OR SQUARE CORNERS).
  3. DIMENSIONING AND TOLERANCING PER ANSI Y14.5M, 1982.

DIM	MILLIMETERS		INCHES	
	MIN	MAX	MIN	MAX
A	9.40	10.16	0.370	0.400
B	6.10	6.60	0.240	0.260
C	3.94	4.45	0.155	0.175
D	0.38	0.51	0.015	0.020
F	1.02	1.78	0.040	0.070
G	2.54 BSC		0.100 BSC	
H	0.76	1.27	0.030	0.050
J	0.20	0.30	0.008	0.012
K	2.92	3.43	0.115	0.135
L	7.62 BSC		0.300 BSC	
M	---	10°	---	10°
N	0.76	1.01	0.030	0.040

SO-8  
D SUFFIX  
CASE 751-07  
ISSUE W



- NOTES:
1. DIMENSIONING AND TOLERANCING PER ANSI Y14.5M, 1982.
  2. CONTROLLING DIMENSION: MILLIMETER.
  3. DIMENSION A AND B DO NOT INCLUDE MOLD PROTRUSION.
  4. MAXIMUM MOLD PROTRUSION 0.15 (0.006) PER SIDE.
  5. DIMENSION D DOES NOT INCLUDE DAMBAR PROTRUSION. ALLOWABLE DAMBAR PROTRUSION SHALL BE 0.127 (0.005) TOTAL IN EXCESS OF THE D DIMENSION AT MAXIMUM MATERIAL CONDITION.

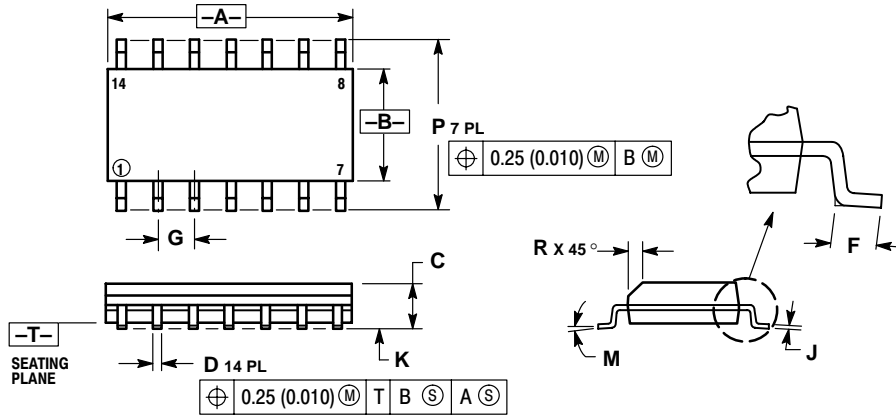
DIM	MILLIMETERS		INCHES	
	MIN	MAX	MIN	MAX
A	4.80	5.00	0.189	0.197
B	3.80	4.00	0.150	0.157
C	1.35	1.75	0.053	0.069
D	0.33	0.51	0.013	0.020
G	1.27 BSC		0.050 BSC	
H	0.10	0.25	0.004	0.010
J	0.19	0.25	0.007	0.010
K	0.40	1.27	0.016	0.050
M	0°	8°	0°	8°
N	0.25	0.50	0.010	0.020
S	5.80	6.20	0.228	0.244



# CS2844, CS3844, CS2845, CS3845

## PACKAGE DIMENSIONS

### SO-14 D SUFFIX CASE 751A-03 ISSUE F

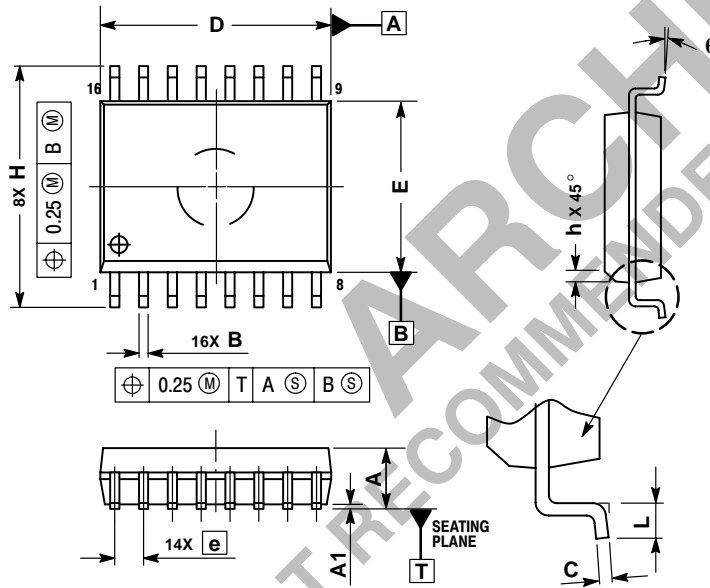


#### NOTES:

1. DIMENSIONING AND TOLERANCING PER ANSI Y14.5M, 1982.
2. CONTROLLING DIMENSION: MILLIMETER.
3. DIMENSIONS A AND B DO NOT INCLUDE MOLD PROTRUSION.
4. MAXIMUM MOLD PROTRUSION 0.15 (0.006) PER SIDE.
5. DIMENSION D DOES NOT INCLUDE DAMBAR PROTRUSION. ALLOWABLE DAMBAR PROTRUSION SHALL BE 0.127 (0.005) TOTAL IN EXCESS OF THE D DIMENSION AT MAXIMUM MATERIAL CONDITION.

DIM	MILLIMETERS		INCHES	
	MIN	MAX	MIN	MAX
A	8.55	8.75	0.337	0.344
B	3.80	4.00	0.150	0.157
C	1.35	1.75	0.054	0.068
D	0.35	0.49	0.014	0.019
F	0.40	1.25	0.016	0.049
G	1.27 BSC		0.050 BSC	
J	0.19	0.25	0.008	0.009
K	0.10	0.25	0.004	0.009
M	0°	7°	0°	7°
P	5.80	6.20	0.228	0.244
R	0.25	0.50	0.010	0.019

### SO-16L DW SUFFIX CASE 751G-03 ISSUE B



#### NOTES:

1. DIMENSIONS ARE IN MILLIMETERS.
2. INTERPRET DIMENSIONS AND TOLERANCES PER ASME Y14.5M, 1994.
3. DIMENSIONS D AND E DO NOT INCLUDE MOLD PROTRUSION.
4. MAXIMUM MOLD PROTRUSION 0.15 PER SIDE.
5. DIMENSION B DOES NOT INCLUDE DAMBAR PROTRUSION. ALLOWABLE DAMBAR PROTRUSION SHALL BE 0.13 TOTAL IN EXCESS OF THE B DIMENSION AT MAXIMUM MATERIAL CONDITION.

DIM	MILLIMETERS	
	MIN	MAX
A	2.35	2.65
A1	0.10	0.25
B	0.35	0.49
C	0.23	0.32
D	10.15	10.45
E	7.40	7.60
e	1.27 BSC	
H	10.05	10.55
h	0.25	0.75
L	0.50	0.90
θ	0°	7°


**Notes**

ARCHIVE  
DEVICE NOT RECOMMENDED FOR NEW DESIGN

**Notes**

**ARCHIVE**  
DEVICE NOT RECOMMENDED FOR NEW DESIGN

ARCHIVE  
RECOMMENDED FOR NEW DESIGN

**ON Semiconductor** and  are trademarks of Semiconductor Components Industries, LLC (SCILLC). SCILLC reserves the right to make changes without further notice to any products herein. SCILLC makes no warranty, representation or guarantee regarding the suitability of its products for any particular purpose, nor does SCILLC assume any liability arising out of the application or use of any product or circuit, and specifically disclaims any and all liability, including without limitation special, consequential or incidental damages. "Typical" parameters which may be provided in SCILLC data sheets and/or specifications can and do vary in different applications and actual performance may vary over time. All operating parameters, including "Typicals" must be validated for each customer application by customer's technical experts. SCILLC does not convey any license under its patent rights nor the rights of others. SCILLC products are not designed, intended, or authorized for use as components in systems intended for surgical implant into the body, or other applications intended to support or sustain life, or for any other application in which the failure of the SCILLC product could create a situation where personal injury or death may occur. Should Buyer purchase or use SCILLC products for any such unintended or unauthorized application, Buyer shall indemnify and hold SCILLC and its officers, employees, subsidiaries, affiliates, and distributors harmless against all claims, costs, damages, and expenses, and reasonable attorney fees arising out of, directly or indirectly, any claim of personal injury or death associated with such unintended or unauthorized use, even if such claim alleges that SCILLC was negligent regarding the design or manufacture of the part. SCILLC is an Equal Opportunity/Affirmative Action Employer.

## PUBLICATION ORDERING INFORMATION

### Literature Fulfillment:

Literature Distribution Center for ON Semiconductor  
P.O. Box 5163, Denver, Colorado 80217 USA  
**Phone:** 303-675-2175 or 800-344-3860 Toll Free USA/Canada  
**Fax:** 303-675-2176 or 800-344-3867 Toll Free USA/Canada  
**Email:** ONlit@hibbertco.com

**N. American Technical Support:** 800-282-9855 Toll Free USA/Canada

**JAPAN:** ON Semiconductor, Japan Customer Focus Center  
4-32-1 Nishi-Gotanda, Shinagawa-ku, Tokyo, Japan 141-0031  
**Phone:** 81-3-5740-2700  
**Email:** r14525@onsemi.com

**ON Semiconductor Website:** <http://onsemi.com>

For additional information, please contact your local Sales Representative.