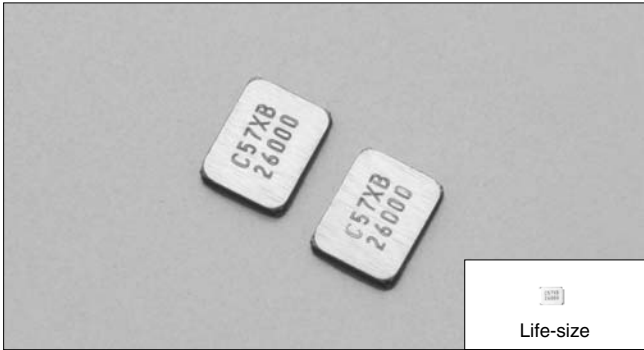


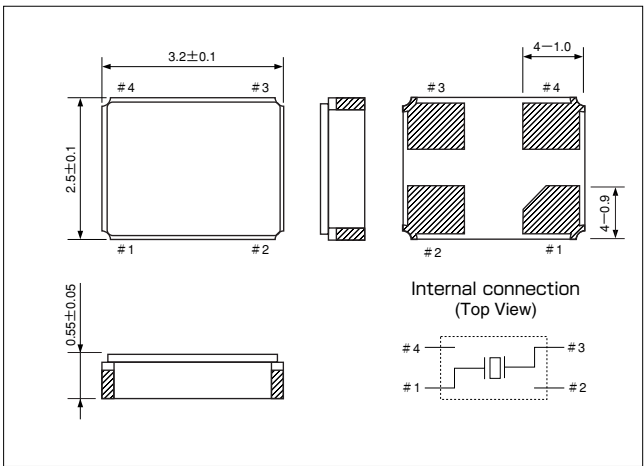
CS325 3000pcs/reel



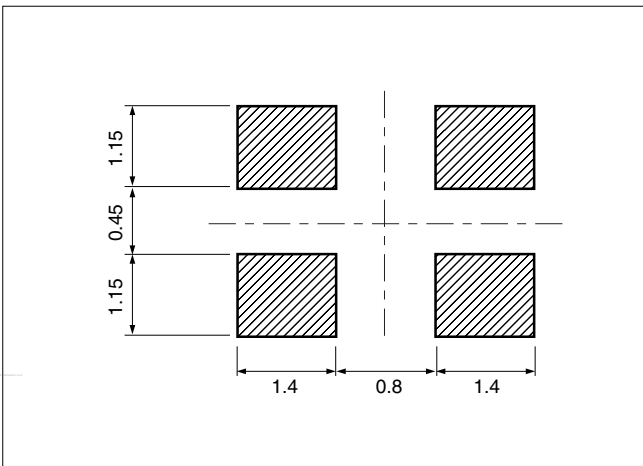
FEATURES

- High-density SMD type.
- Reliable ceramic package and excellent environmental characteristics.
- Suitable for various applications such as communication devices, AV devices and other equipment.

DIMENSION [mm]



SOLDER PAD LAYOUT [mm]



STANDARD SPECIFICATIONS

| Item | Model | CS325 | Conditions |
|--|------------------|---|--|
| Nominal Frequency | f_0 | 13.0MHz~54.0MHz (Fundamental) | Need to contact us for the available frequency |
| Frequency Tolerance | $\Delta f/f_0$ | $\pm 30\text{ppm}$ | at 25°C |
| Frequency Tolerance over Operating Temperature Range | $\Delta f/f_0$ | $\pm 30\text{ppm}$ | -10°C ~ +60°C |
| Operating Temperature Range | T_{OPR} | -40°C ~ +85°C | |
| Storage Temperature Range | T_{STR} | -55°C ~ +125°C | |
| Motional (series) resistance | R_1 | Refer to the following table | at 25°C |
| Load capacitance | C_L | 16.0pF, 18.0pF | Need to specify your requirement |
| Shunt capacitance | C_0 | 5.0pF Max. | |
| Level of drive | D_L | 10 μW (100 μW Max.) | |
| Insulation Resistance | I_R | 500M Ω Min. | DC100V \pm 15V |
| Aging (first year) | $\Delta f/f_0$ | $\pm 5\text{ppm}$ Max. | 25°C \pm 3°C |

MOTIONAL (SERIES) RESISTANCE (R_1)

| Frequency Range | 13.0MHz $\leq f_0 <$ 16.0MHz | 16.0MHz $\leq f_0 <$ 20.0MHz | 20.0MHz $\leq f_0 <$ 30.0MHz | 30.0MHz $\leq f_0 <$ 54.0MHz |
|-----------------|------------------------------|------------------------------|------------------------------|------------------------------|
| ESR | 150 Ω Max. | 120 Ω Max. | 80 Ω Max. | 50 Ω Max. |