

**CS3N40 A3H****General Description:**

CS3N40 A3H, the silicon N-channel Enhanced VDMOSFETs, is obtained by the self-aligned planar Technology which reduce the conduction loss, improve switching performance and enhance the avalanche energy. The transistor can be used in various power switching circuit for system miniaturization and higher efficiency. The package form is TO-251, which accords with the RoHS standard.

**Features:**

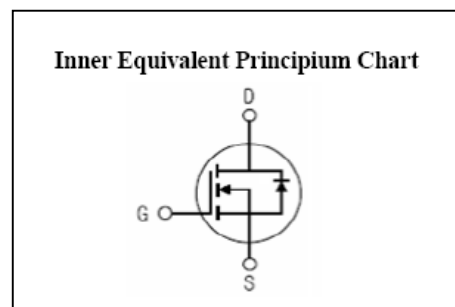
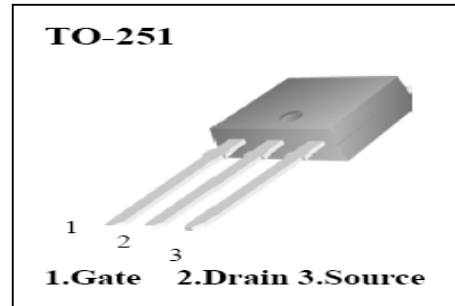
- I **Fast Switching**
- I **Low ON Resistance**( $R_{dson} \leq 3.4\Omega$ )
- I **Low Gate Charge** (Typical Data:5nC)
- I **Low Reverse transfer capacitances**(Typical:4.5pF)
- I **100% Single Pulse avalanche energy Test**

**Applications:**

Power switch circuit of LCD Power and adaptor.

**Absolute** ( $T_c = 25^\circ\text{C}$  unless otherwise specified):

|                              |     |          |
|------------------------------|-----|----------|
| $V_{DSS}$                    | 400 | V        |
| $I_D$                        | 3   | A        |
| $P_D (T_C=25^\circ\text{C})$ | 30  | W        |
| $R_{DS(ON)TYP}$              | 2.8 | $\Omega$ |



| Symbol         | Parameter  | Rating            | Units               |
|----------------|--|-------------------|---------------------|
| $V_{DSS}$      | Drain-to-Source Voltage                            | 400               | V                   |
| $I_D$          | Continuous Drain Current                           | 3                 | A                   |
|                | Continuous Drain Current $T_C = 100^\circ\text{C}$ | 1.8               | A                   |
| $I_{DM}^{a1}$  | Pulsed Drain Current                               | 12                | A                   |
| $V_{GS}$       | Gate-to-Source Voltage                             | $\pm 30$          | V                   |
| $E_{AS}^{a2}$  | Single Pulse Avalanche Energy                      | 50                | mJ                  |
| $E_{AR}^{a1}$  | Avalanche Energy ,Repetitive                       | 6.4               | mJ                  |
| $I_{AR}^{a1}$  | Avalanche Current                                  | 1.2               | A                   |
| $dv/dt^{a3}$   | Peak Diode Recovery dv/dt                          | 5                 | V/ns                |
| $P_D$          | Power Dissipation                                  | 30                | W                   |
|                | Derating Factor above $25^\circ\text{C}$           | 0.24              | W/ $^\circ\text{C}$ |
| $T_J, T_{stg}$ | Operating Junction and Storage Temperature Range   | 150, $-55$ to 150 | $^\circ\text{C}$    |
| $T_L$          | Maximum Temperature for Soldering                  | 300               | $^\circ\text{C}$    |

## Electrical Characteristics (Tc= 25°C unless otherwise specified):

| OFF Characteristics                 |                                   |  |        |      |      |       |
|-------------------------------------|-----------------------------------|--|--------|------|------|-------|
| Symbol                              | Parameter                         | Test Conditions  | Rating |      |      | Units |
|                                     |                                   |  | Min.   | Typ. | Max. |       |
| V <sub>DSS</sub>                    | Drain to Source Breakdown Voltage | V <sub>GS</sub> =0V, I <sub>D</sub> =250μA                             | 400    | --   | --   | V     |
| ΔBV <sub>DSS</sub> /ΔT <sub>J</sub> | Bvdss Temperature Coefficient     | I <sub>D</sub> =250uA, Reference 25°C                                  | --     | 0.7  | --   | V/°C  |
| I <sub>DSS</sub>                    | Drain to Source Leakage Current   | V <sub>DS</sub> =400V, V <sub>GS</sub> = 0V,<br>T <sub>a</sub> = 25°C  | --     | --   | 1    | μA    |
|                                     |                                   | V <sub>DS</sub> =320V, V <sub>GS</sub> = 0V,<br>T <sub>a</sub> = 125°C |        |      | 10   |       |
| I <sub>GSS(F)</sub>                 | Gate to Source Forward Leakage    | V <sub>DS</sub> =0V, V <sub>GS</sub> = 30V                             | --     | --   | 100  | nA    |
| I <sub>GSS(R)</sub>                 | Gate to Source Reverse Leakage    | V <sub>DS</sub> =0V, V <sub>GS</sub> =-30V                             | --     | --   | -100 | nA    |

| ON Characteristics             |                               |  |        |      |      |       |
|--------------------------------|-------------------------------|--|--------|------|------|-------|
| Symbol                         | Parameter                     | Test Conditions  | Rating |      |      | Units |
|                                |                               |  | Min.   | Typ. | Max. |       |
| R <sub>DS(ON)</sub>            | Drain-to-Source On-Resistance | V <sub>GS</sub> =10V, I <sub>D</sub> =1A                   | --     | 2.8  | 3.4  | Ω     |
| V <sub>GS(TH)</sub>            | Gate Threshold Voltage        | V <sub>DS</sub> = V <sub>GS</sub> , I <sub>D</sub> = 250μA | 2.0    |      | 4.0  | V     |
| Pulse width tp ≤ 300μs, δ ≤ 2% |                               |  |        |      |      |       |

| Dynamic Characteristics |                              |  |        |      |      |       |
|-------------------------|------------------------------|--|--------|------|------|-------|
| Symbol                  | Parameter                    | Test Conditions  | Rating |      |      | Units |
|                         |                              |  | Min.   | Typ. | Max. |       |
| g <sub>fs</sub>         | Forward Transconductance     | V <sub>DS</sub> =15V, I <sub>D</sub> =1A                 |        | 1    |      | S     |
| C <sub>iss</sub>        | Input Capacitance            | V <sub>GS</sub> = 0V V <sub>DS</sub> = 25V<br>f = 1.0MHz | --     | 139  |      | pF    |
| C <sub>oss</sub>        | Output Capacitance           |  | --     | 21   |      |       |
| C <sub>rss</sub>        | Reverse Transfer Capacitance |  | --     | 4.5  |      |       |

| Resistive Switching Characteristics |                                |   |        |      |      |       |
|-------------------------------------|--------------------------------|---|--------|------|------|-------|
| Symbol                              | Parameter                      | Test Conditions   | Rating |      |      | Units |
|                                     |                                |   | Min.   | Typ. | Max. |       |
| t <sub>d(ON)</sub>                  | Turn-on Delay Time             | I <sub>D</sub> =3.0A V <sub>DD</sub> = 200V<br>V <sub>GS</sub> = 10V R <sub>G</sub> = 25Ω | --     | 6    | --   | ns    |
| t <sub>r</sub>                      | Rise Time                      |   | --     | 7    | --   |       |
| t <sub>d(OFF)</sub>                 | Turn-Off Delay Time            |   | --     | 30   | --   |       |
| t <sub>f</sub>                      | Fall Time                      |   | --     | 9    | --   |       |
| Q <sub>g</sub>                      | Total Gate Charge              | I <sub>D</sub> =3.0A V <sub>DD</sub> =200V<br>V <sub>GS</sub> = 10V                       | --     | 5    |      | nC    |
| Q <sub>gs</sub>                     | Gate to Source Charge          |   | --     | 0.9  |      |       |
| Q <sub>gd</sub>                     | Gate to Drain (“Miller”)Charge |   | --     | 2.5  |      |       |



| Source-Drain Diode Characteristics               |  |                              |        |      |      |       |
|--|--|------------------------------|--------|------|------|-------|
| Symbol   | Parameter                              | Test Conditions              | Rating |      |      | Units |
|  |  |                              | Min.   | Typ. | Max. |       |
| $I_S$  | Continuous Source Current (Body Diode) |                              | --     | --   | 3    | A     |
| $I_{SM}$   | Maximum Pulsed Current (Body Diode)    |                              | --     | --   | 12   | A     |
| $V_{SD}$   | Diode Forward Voltage                  | $I_S=2A, V_{GS}=0V$          | --     | --   | 1.5  | V     |
| $t_{rr}$   | Reverse Recovery Time                  | $I_S=2A, T_j = 25^\circ C$   | --     | 60   | --   | ns    |
| $Q_{rr}$   | Reverse Recovery Charge                | $dI_F/dt=100A/us, V_{GS}=0V$ | --     | 139  | --   | nC    |
| Pulse width $t_p \leq 300\mu s, \delta \leq 2\%$ |  |                              |        |      |      |       |

| Symbol          | Parameter           | Typ. | Units        |
|-----------------|---------------------|------|--------------|
| $R_{\theta JC}$ | Junction-to-Case    | 4.17 | $^\circ C/W$ |
| $R_{\theta JA}$ | Junction-to-Ambient | 100  | $^\circ C/W$ |

<sup>a1</sup>: Repetitive rating; pulse width limited by maximum junction temperature

<sup>a2</sup>:  $L=10.0mH, I_D=3.2A, Start T_j=25^\circ C$

<sup>a3</sup>:  $I_{SD}=3A, di/dt \leq 100A/us, V_{DD} \leq BV_{DS}, Start T_j=25^\circ C$

## Characteristics Curve:

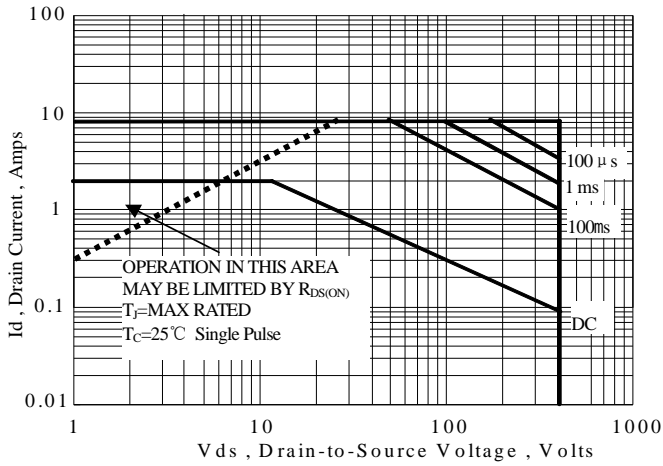


Figure 1 Maximum Forward Bias Safe Operating Area

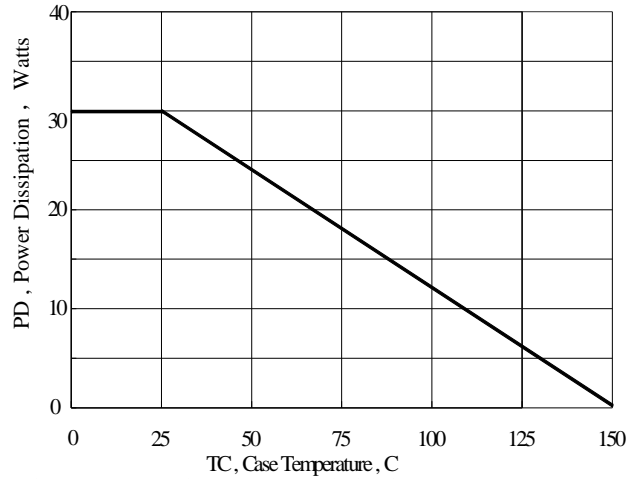


Figure 2 Maximum Power Dissipation vs Case Temperature

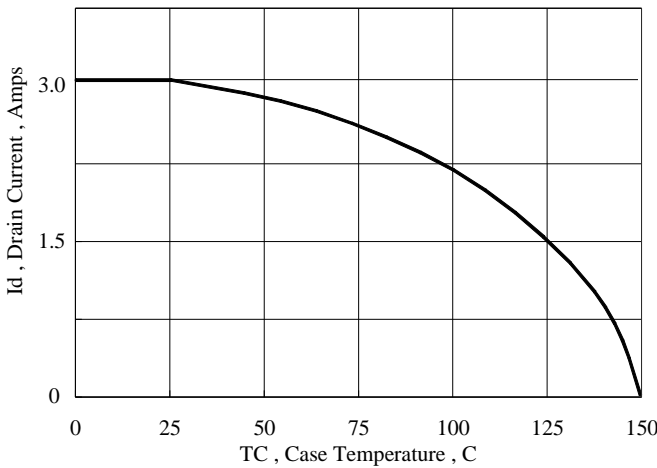


Figure 3 Maximum Continuous Drain Current vs Case Temperature

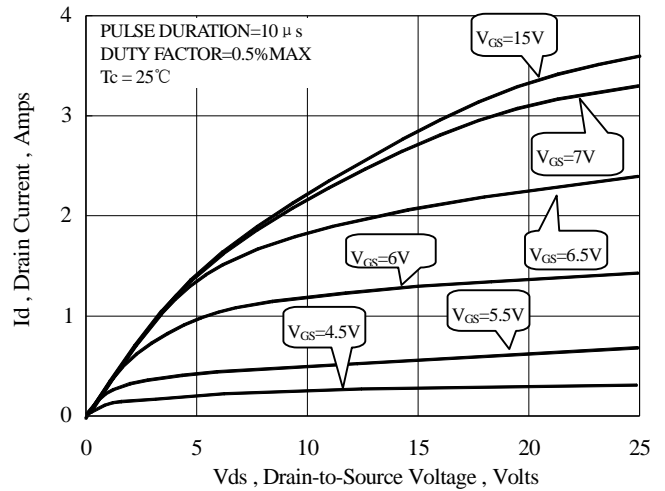


Figure 4 Typical Output Characteristics

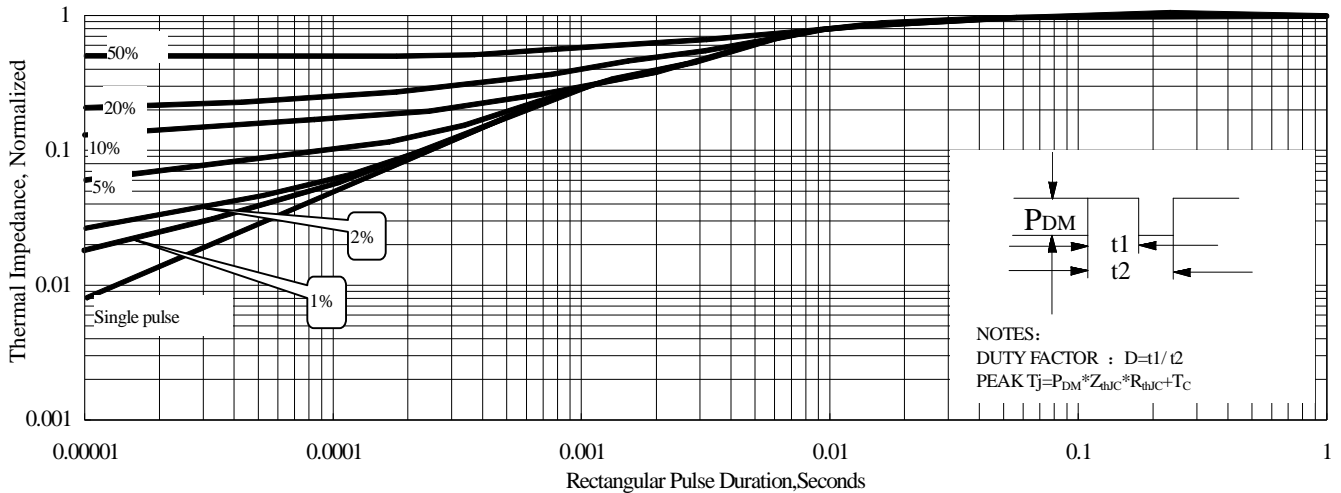


Figure 5 Maximum Effective Thermal Impedance, Junction to Case



# CS3N40 A3H

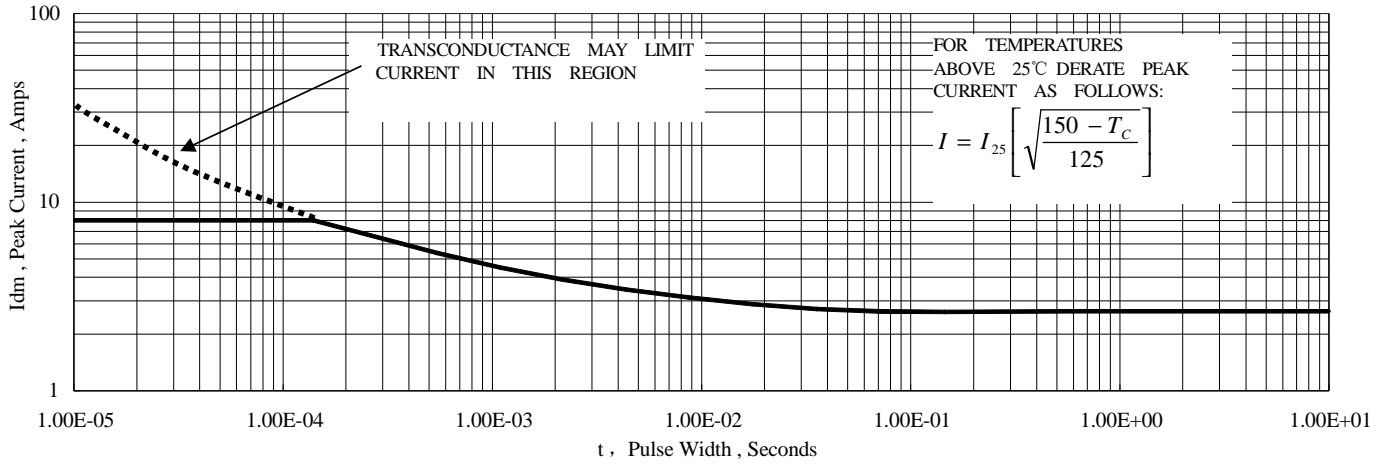


Figure 6 Maximum Peak Current Capability

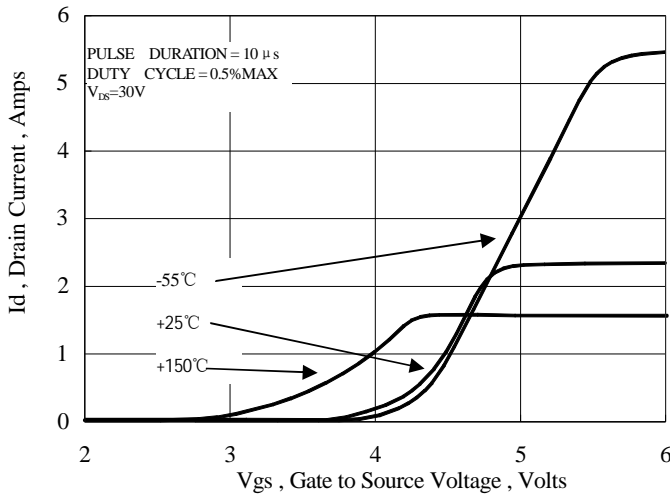


Figure 7 Typical Transfer Characteristics

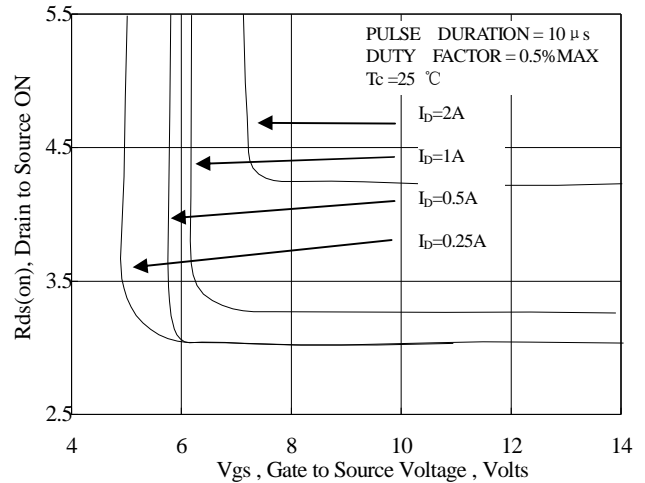


Figure 8 Typical Drain to Source ON Resistance vs Gate Voltage and Drain Current

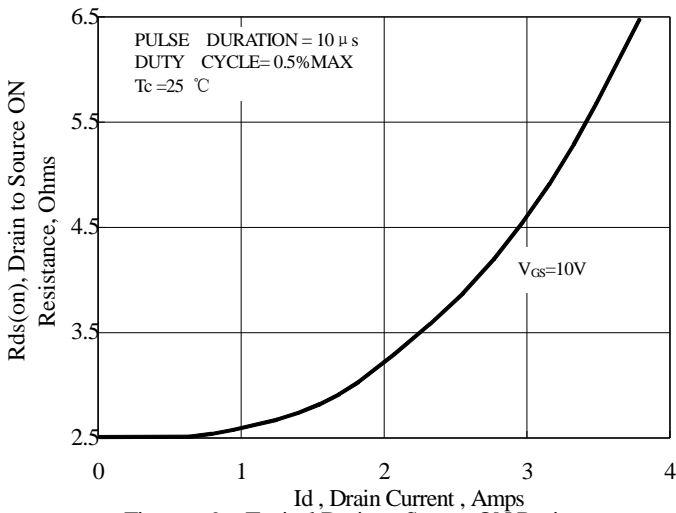


Figure 9 Typical Drain to Source ON Resistance vs Drain Current

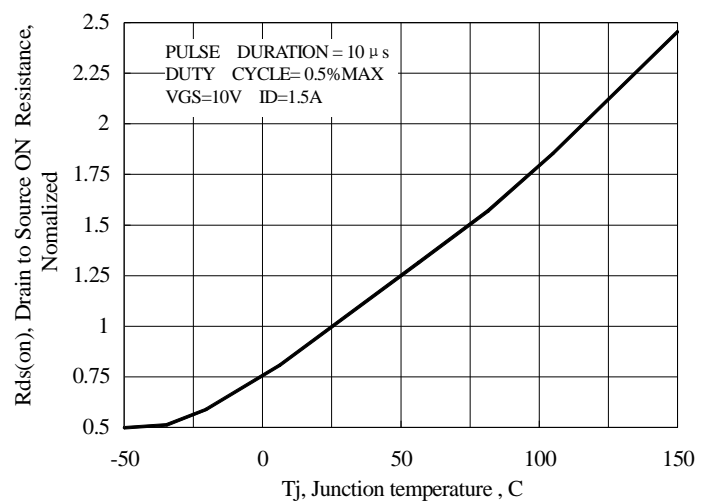


Figure 10 Typical Drain to Source on Resistance vs Junction Temperature

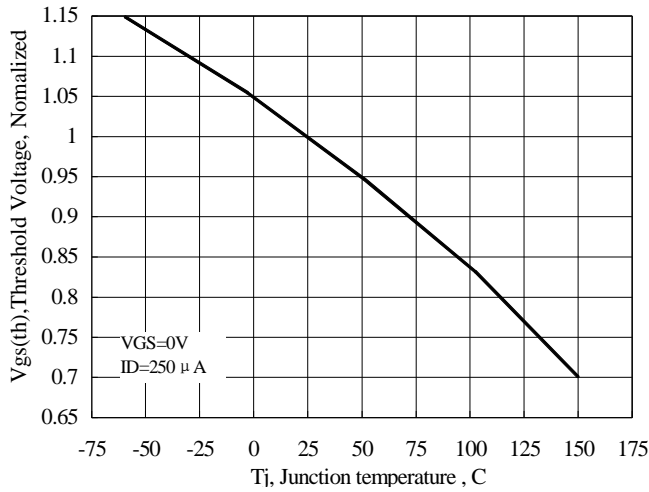


Figure 11 Typical Theshold Voltage vs Junction Temperature

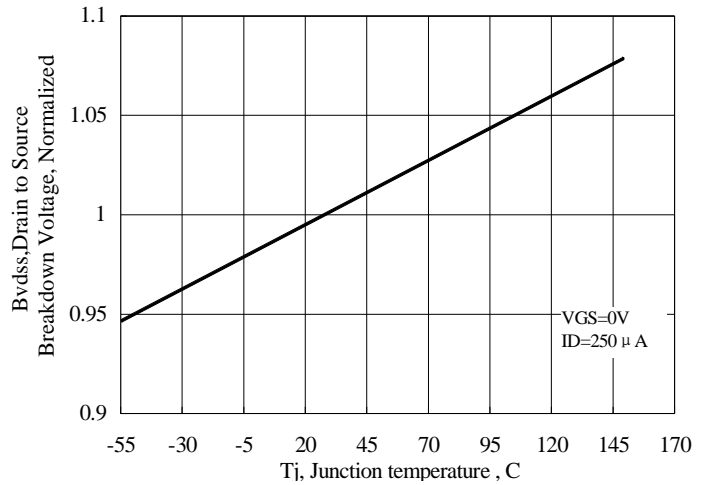


Figure 12 Typical Breakdown Voltage vs Junction Temperature

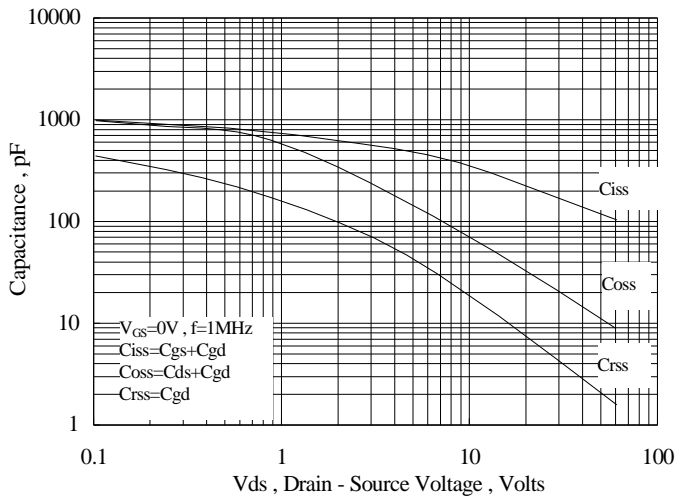


Figure 13 Typical Capacitance vs Drain to Source Voltage

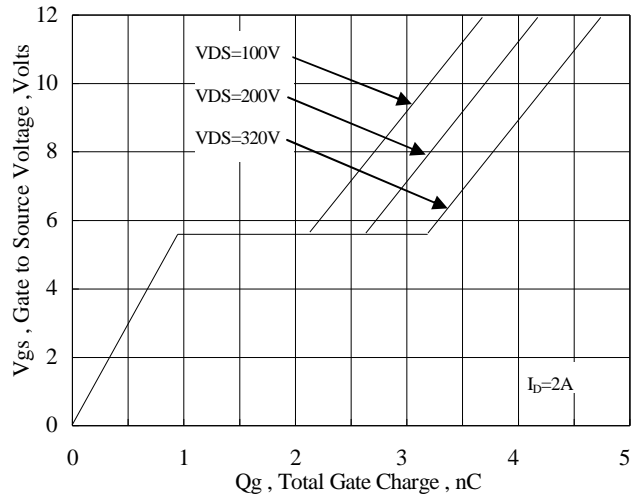


Figure 14 Typical Gate Charge vs Gate to Source Voltage

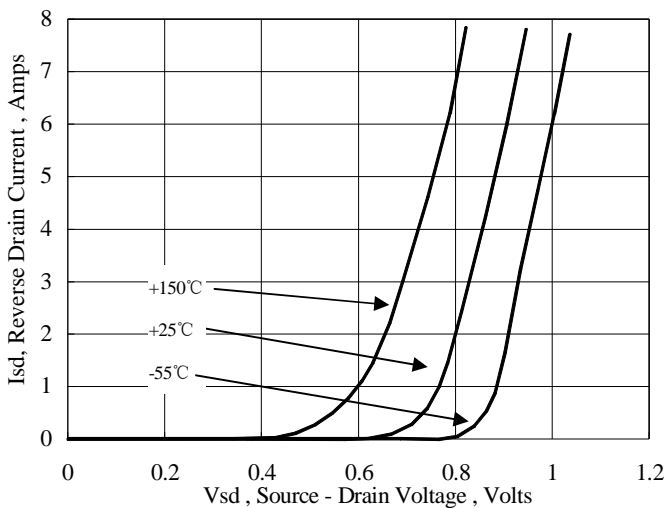


Figure 15 Typical Body Diode Transfer Characteristics

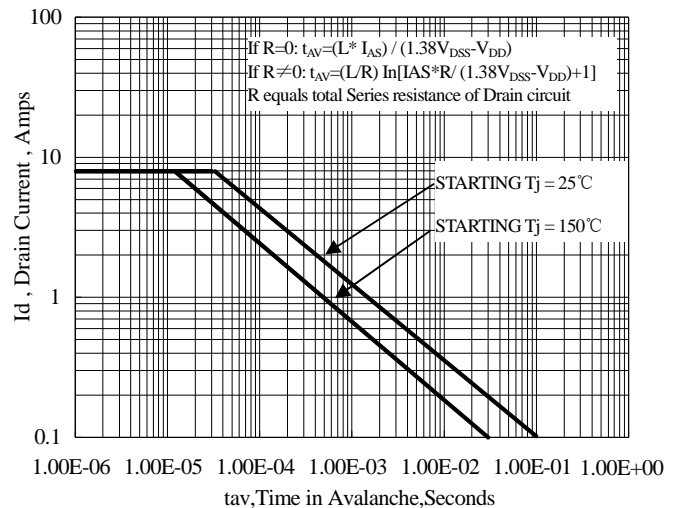


Figure 16 Unclamped Inductive Switching Capability

## Test Circuit and Waveform

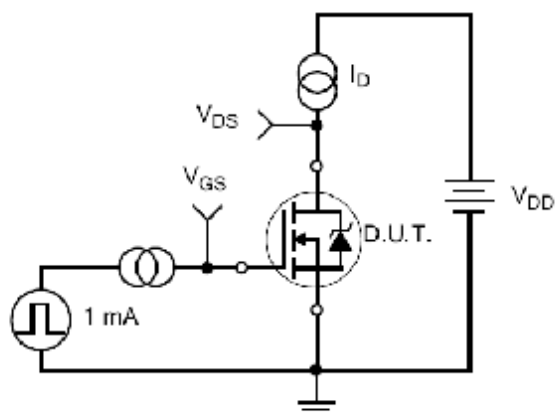


Figure 17. Gate Charge Test Circuit

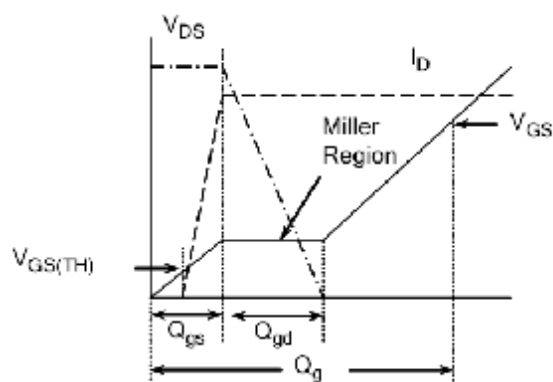


Figure 18. Gate Charge Waveform

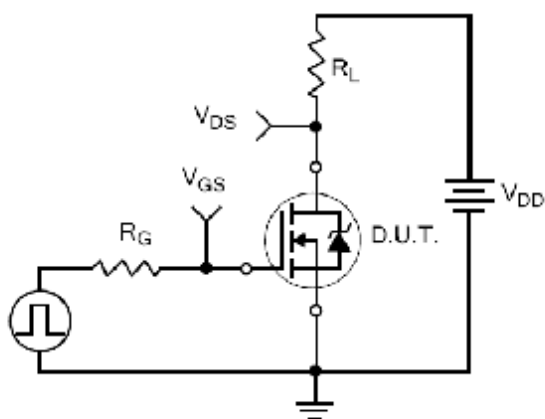


Figure 19. Resistive Switching Test Circuit

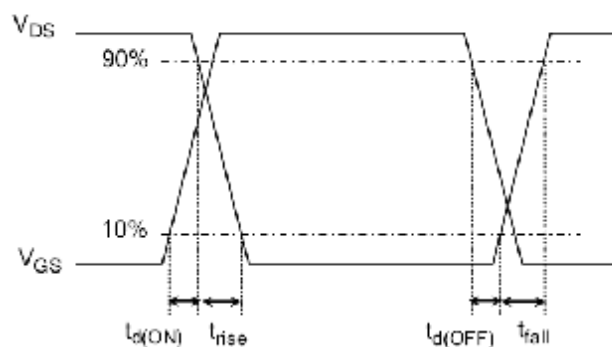


Figure 20. Resistive Switching Waveforms

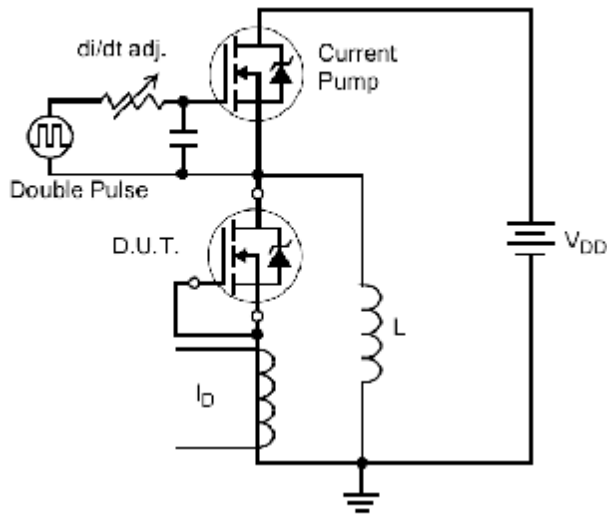


Figure 21. Diode Reverse Recovery Test Circuit

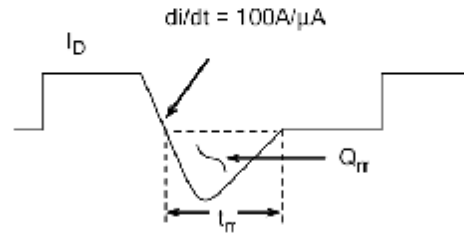


Figure 22. Diode Reverse Recovery Waveform

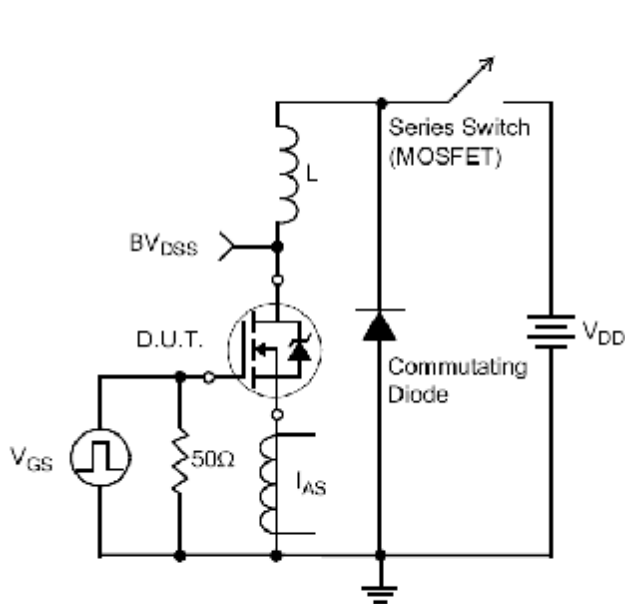


Figure 23. Unclamped Inductive Switching Test Circuit

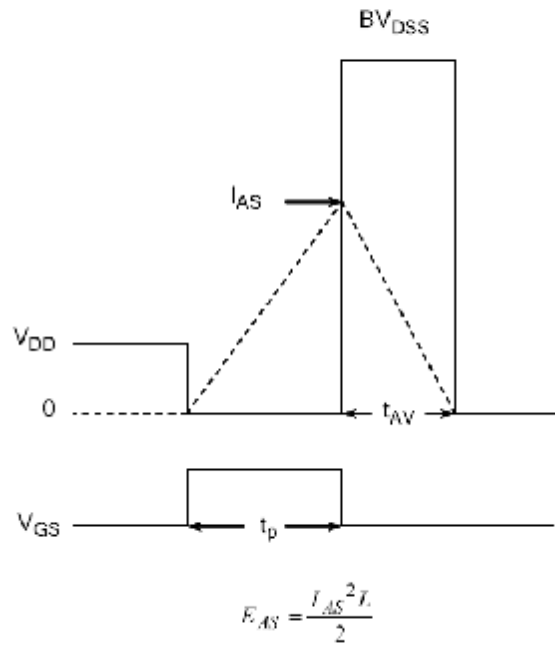
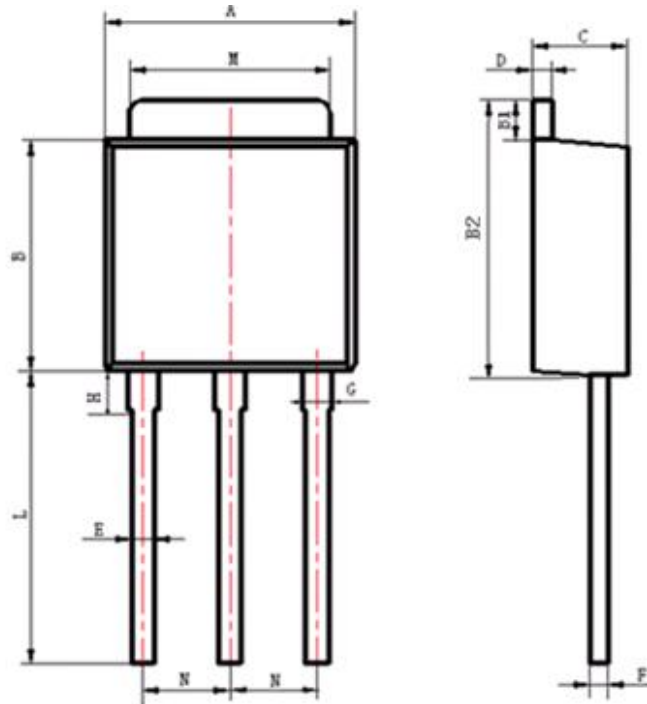


Figure 24. Unclamped Inductive Switching Waveforms



## Package Information



| Items | Values(mm) |      |
|-------|------------|------|
|       | MIN        | MAX  |
| A     | 6.30       | 6.90 |
| B     | 5.70       | 6.30 |
| B1    | 1.00       | 1.20 |
| B2    | 6.80       | 7.40 |
| C     | 2.10       | 2.50 |
| D     | 0.30       | 0.60 |
| E     | 0.50       | 0.70 |
| F     | 0.30       | 0.60 |
| G     | 0.70       | 1.00 |
| H     | 1.60       | 2.40 |
| L     | 7.70       | 9.80 |
|       | 5.90       | 6.50 |
|       | 4.40       | 5.80 |
|       | 2.10       | 3.90 |
| M     | 5.10       | 5.50 |
| N     | 2.09       | 2.49 |

TO-251 Package



**The name and content of poisonous and harmful material in products**

| Part's Name      | Hazardous Substance   |       |        |        |       |       |
|------------------|---|-------|--------|--------|-------|-------|
|                  | Pb  | Hg    | Cd     | Cr(VI) | PBB   | PBDE  |
| Limit            | ≤0.1%   | ≤0.1% | ≤0.01% | ≤0.1%  | ≤0.1% | ≤0.1% |
| Lead Frame       | ○   | ○     | ○      | ○      | ○     | ○     |
| Molding Compound | ○   | ○     | ○      | ○      | ○     | ○     |
| Chip             | ○   | ○     | ○      | ○      | ○     | ○     |
| Wire Bonding     | ○   | ○     | ○      | ○      | ○     | ○     |
| Solder           | ×   | ○     | ○      | ○      | ○     | ○     |
| Note             | ○: means the hazardous material is under the criterion of SJ/T11363-2006.<br>×: means the hazardous material exceeds the criterion of SJ/T11363-2006.<br>The plumbum element of solder exist in products presently, but within the allowed range of Eurogroup's RoHS. |       |        |        |       |       |

**Warnings**

1. Exceeding the maximum ratings of the device in performance may cause damage to the device, even the permanent failure, which may affect the dependability of the machine. It is suggested to be used under 80 percent of the maximum ratings of the device.
2. When installing the heatsink, please pay attention to the torsional moment and the smoothness of the heatsink.
3. VDMOSFETs is the device which is sensitive to the static electricity, it is necessary to protect the device from being damaged by the static electricity when using it.
4. This publication is made by Huajing Microelectronics and subject to regular change without notice.

**WUXI CHINA RESOURCES HUAJING MICROELECTRONICS CO., LTD.**

**Add:** No.14 Liangxi RD. Wuxi, Jiangsu, China **Mail:**214061 **<http://www.crhj.com.cn>**  
**Tel:** +86 0510-85807228 **Fax:** +86- 0510-85800864

**Marketing Part:** **Post:** 214061 **Tel:** +86 0510-81805277/81805336  
**Fax:** +86 0510-85800360/85803016  
**E-mail:** [sales@hj.crmicro.com](mailto:sales@hj.crmicro.com)

**Application and Service:** **Post:** 214061 **Tel / Fax:** +86- 0510-81805243/81805110