

# CS5253B-8

## 3.0 A LDO 5-Pin 2.5 V Fixed Linear Regulator for Remote Sense Applications

This new very low dropout linear regulator reduces total power dissipation in the application. To achieve very low dropout, the internal pass transistor is powered separately from the control circuitry. Furthermore, with the control and power inputs tied together, this device can be used in single supply configuration and still offer a better dropout voltage than conventional PNP-NPN based LDO regulators. In this mode the dropout is determined by the minimum control voltage.

The CS5253B-8 is offered in a five-terminal D<sup>2</sup>PAK-5 package, which allows for the implementation of a remote-sense pin permitting very accurate regulation of output voltage directly at the load, where it counts, rather than at the regulator. This remote sensing feature virtually eliminates output voltage variations due to load changes and resistive voltage drops. Typical load regulation measured at the sense pin is less than 1.0 mV for an output voltage of 2.5 V with a load step of 10 mA to 3.0 A.

The CS5253B-8 has a very fast transient loop response.

Internal protection circuitry provides for “bust-proof” operation, similar to three-terminal regulators. This circuitry, which includes overcurrent, short circuit, and overtemperature protection will self protect the regulator under all fault conditions.

The CS5253B-8 is ideal for generating a 2.5 V supply to power graphics controllers used on VGA cards. Its remote sense and low value capacitance requirements make this a low cost high performance solution. The CS5253B-8 is optimized from the CS5253-1 to allow a lower value of output capacitor to be used at the expense of a slower transient response.

### Features

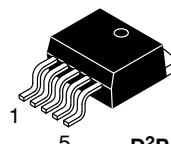
- V<sub>OUT</sub> Fixed @ 2.5 V ± 1.5%
- V<sub>POWER</sub> Dropout < 0.40 V @ 3.0 A
- V<sub>CONTROL</sub> Dropout < 1.05 V @ 3.0 A
- 1.5% Trimmed Reference
- Fast Transient Response
- Remote Voltage Sensing
- Thermal Shutdown
- Current Limit
- Short Circuit Protection
- Drop-In Replacement for EZ1582
- Backwards Compatible with 3-Pin Regulators
- Very Low Dropout Reduces Total Power Consumption
- Pb-Free Packages are Available\*

\*For additional information on our Pb-Free strategy and soldering details, please download the ON Semiconductor Soldering and Mounting Techniques Reference Manual, SOLDERRM/D.



ON Semiconductor®

<http://onsemi.com>



D<sup>2</sup>PAK-5  
DP SUFFIX  
CASE 936AC

Tab = V<sub>OUT</sub>  
Pin 1. V<sub>SENSE</sub>  
2. GND  
3. V<sub>OUT</sub>  
4. V<sub>CONTROL</sub>  
5. V<sub>POWER</sub>

### MARKING DIAGRAM



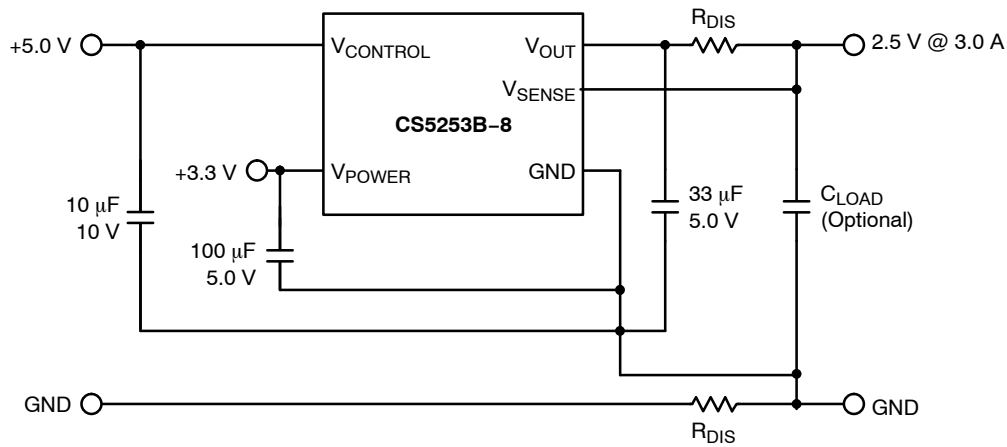
CS5253B-8 = Device Code  
A = Assembly Location  
WL = Wafer Lot  
Y = Year  
WW = Work Week  
G = Pb-Free Package

### ORDERING INFORMATION

Device	Package	Shipping†
CS5253B-8GDP5	D <sup>2</sup> PAK-5	50 Units/Rail
CS5253B-8GDP5G	D <sup>2</sup> PAK-5 (Pb-Free)	50 Units/Rail
CS5253B-8GDPR5	D <sup>2</sup> PAK-5	750/Tape & Reel
CS5253B-8GDPR5G	D <sup>2</sup> PAK-5 (Pb-Free)	750/Tape & Reel

†For information on tape and reel specifications, including part orientation and tape sizes, please refer to our Tape and Reel Packaging Specifications Brochure, BRD8011/D.

## CS5253B-8



**Figure 1. Application Diagram**

### MAXIMUM RATINGS

Rating	Value	Unit
V <sub>POWER</sub> Input Voltage	6.0	V
V <sub>CONTROL</sub> Input Voltage	13	V
Operating Junction Temperature Range, T <sub>J</sub>	0 to 150	°C
Storage Temperature Range	-65 to +150	°C
ESD Damage Threshold	2.0	kV
Lead Temperature Soldering:	Reflow: (SMD styles only) (Note 1)	230 Peak
		°C

Maximum ratings are those values beyond which device damage can occur. Maximum ratings applied to the device are individual stress limit values (not normal operating conditions) and are not valid simultaneously. If these limits are exceeded, device functional operation is not implied, damage may occur and reliability may be affected.

- 60 second maximum above 183°C.

### ELECTRICAL CHARACTERISTICS (0°C ≤ T<sub>A</sub> ≤ 70°C; 0°C ≤ T<sub>J</sub> ≤ 150°C; V<sub>SENSE</sub> = V<sub>OUT</sub> and GND = 0 V; unless otherwise specified.)

Characteristic	Test Conditions	Min	Typ	Max	Unit
Output Voltage	V <sub>CONTROL</sub> = 3.9 V to 12 V, V <sub>POWER</sub> = 3.13 V to 5.5 V, I <sub>OUT</sub> = 10 mA to 3.0 A	2.463 (-1.5%)	2.5	2.538 (+1.5%)	V
Line Regulation	V <sub>CONTROL</sub> = 3.9 V to 12 V, V <sub>POWER</sub> = 3.13 V to 5.5 V, I <sub>OUT</sub> = 10 mA	-	0.02	0.2	%
Load Regulation	V <sub>CONTROL</sub> = 3.9 V, V <sub>POWER</sub> = 3.13 V, I <sub>OUT</sub> = 10 mA to 3.0 A, with Remote Sense	-	0.04	0.3	%
Minimum Load Current (Note 2)	V <sub>CONTROL</sub> = 5.0 V, V <sub>POWER</sub> = 3.3 V, ΔV <sub>OUT</sub> = +1.0%	-	0	0	mA
Control Pin Current (Note 3)	V <sub>CONTROL</sub> = 3.9 V, V <sub>POWER</sub> = 3.13 V, I <sub>OUT</sub> = 100 mA	-	6.0	10	mA
	V <sub>CONTROL</sub> = 3.9 V, V <sub>POWER</sub> = 3.13 V, I <sub>OUT</sub> = 3.0 A	-	35	120	mA
Ground Pin Current	V <sub>CONTROL</sub> = 3.9 V, V <sub>POWER</sub> = 3.13 V, I <sub>OUT</sub> = 10 mA	-	7	10	mA
Current Limit	V <sub>CONTROL</sub> = 3.9 V, V <sub>POWER</sub> = 3.13 V, ΔV <sub>OUT</sub> = -4.0%	3.1	4.0	-	A
Short Circuit Current	V <sub>CONTROL</sub> = 3.9 V, V <sub>POWER</sub> = 3.13 V, V <sub>OUT</sub> = 0 V	2.0	3.5	-	A
Ripple Rejection (Note 4)	V <sub>CONTROL</sub> = V <sub>POWER</sub> = 3.9 V, V <sub>RIPPLE</sub> = 1.0 V <sub>P-P</sub> @ 120 Hz, I <sub>OUT</sub> = 3.0 A	60	80	-	dB
Thermal Regulation	30 ms Pulse, T <sub>A</sub> = 25°C	-	0.002	-	%/W

- The minimum load current is the minimum current required to maintain regulation.
- The V<sub>CONTROL</sub> pin current is the drive current required for the output transistor. This current will track output current with roughly a 1:100 ratio. The minimum value is equal to the quiescent current of the device.
- This parameter is guaranteed by design and is not 100% production tested.

## CS5253B-8

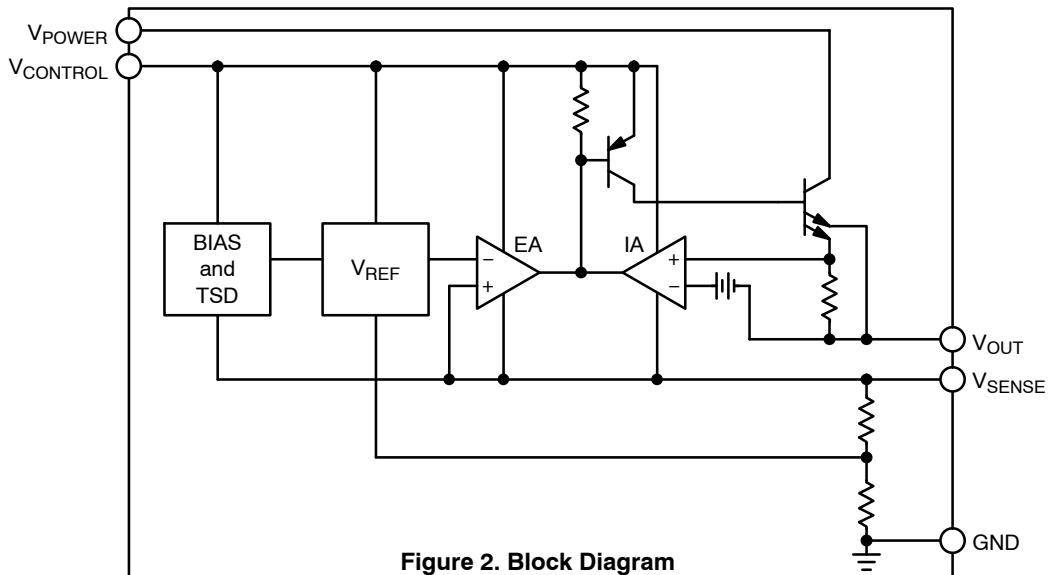
**ELECTRICAL CHARACTERISTICS** (continued) ( $0^{\circ}\text{C} \leq T_A \leq 70^{\circ}\text{C}$ ;  $0^{\circ}\text{C} \leq T_J \leq 150^{\circ}\text{C}$ ;  $V_{\text{SENSE}} = V_{\text{OUT}}$  and  $\text{GND} = 0\text{ V}$ ; unless otherwise specified.)

Characteristic	Test Conditions	Min	Typ	Max	Unit
$V_{\text{CONTROL}}$ Dropout Voltage (Minimum $V_{\text{CONTROL}} - V_{\text{OUT}}$ ) (Note 5)	$V_{\text{POWER}} = 3.13\text{ V}$ , $I_{\text{OUT}} = 100\text{ mA}$	-	0.90	1.15	V
	$V_{\text{POWER}} = 3.13\text{ V}$ , $I_{\text{OUT}} = 1.0\text{ A}$	-	1.00	1.15	V
	$V_{\text{POWER}} = 3.13\text{ V}$ , $I_{\text{OUT}} = 3.0\text{ A}$	-	1.05	1.30	V
$V_{\text{POWER}}$ Dropout Voltage (Minimum $V_{\text{POWER}} - V_{\text{OUT}}$ ) (Note 5)	$V_{\text{CONTROL}} = 3.9\text{ V}$ , $I_{\text{OUT}} = 100\text{ mA}$	-	0.05	0.15	V
	$V_{\text{CONTROL}} = 3.9\text{ V}$ , $I_{\text{OUT}} = 1.0\text{ A}$	-	0.15	0.25	V
	$V_{\text{CONTROL}} = 3.9\text{ V}$ , $I_{\text{OUT}} = 3.0\text{ A}$	-	0.40	0.60	V
RMS Output Noise	Freq = 10 Hz to 10 kHz, $T_A = 25^{\circ}\text{C}$	-	0.003	-	% $V_{\text{OUT}}$
Temperature Stability	-	0.5	-	-	%
Thermal Shutdown (Note 6)	-	150	180	210	$^{\circ}\text{C}$
Thermal Shutdown Hysteresis	-	-	25	-	$^{\circ}\text{C}$
$V_{\text{CONTROL}}$ Supply Only Output Current	$V_{\text{CONTROL}} = 13\text{ V}$ , $V_{\text{POWER}}$ Not Connected, $\text{GND} = V_{\text{OUT}} = V_{\text{SENSE}} = 0\text{ V}$	-	-	50	mA
$V_{\text{POWER}}$ Supply Only Output Current	$V_{\text{POWER}} = 6.0\text{ V}$ , $V_{\text{CONTROL}}$ Not Connected, $\text{GND} = V_{\text{OUT}} = V_{\text{SENSE}} = 0\text{ V}$	-	0.1	1.0	mA

5. Dropout is defined as either the minimum control voltage ( $V_{\text{CONTROL}}$ ) or minimum power voltage ( $V_{\text{POWER}}$ ) to output voltage differential required to maintain 1.5% regulation at a particular load current.
6. This parameter is guaranteed by design, but not parametrically tested in production. However, a 100% thermal shutdown functional test is performed on each part.

### PACKAGE PIN DESCRIPTION

Package Pin #	Pin Symbol	Function
1	$V_{\text{SENSE}}$	This Kelvin sense pin allows for remote sensing of the output voltage at the load for improved regulation. It is internally connected to the positive input of the voltage sensing error amplifier.
2	GND	This pin is connected to system ground.
3	$V_{\text{OUT}}$	This pin is connected to the emitter of the power pass transistor and provides a regulated voltage capable of sourcing 3.0 A of current.
4	$V_{\text{CONTROL}}$	This is the supply voltage for the regulator control circuitry. For the device to regulate, this voltage should be between 0.9 V and 1.3 V (depending on the output current) greater than the output voltage. The control pin current will be about 1.0% of the output current.
5	$V_{\text{POWER}}$	This is the power input voltage. This pin is physically connected to the collector of the power pass transistor. For the device to regulate, this voltage should be between 0.1 V and 0.6 V greater than the output voltage depending on the output current. The output load current of 3.0 A is supplied through this pin.



TYPICAL PERFORMANCE CHARACTERISTICS

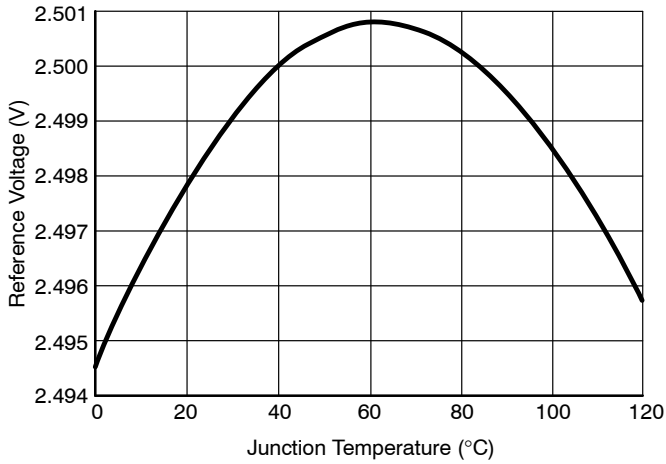


Figure 3. Output Voltage vs Junction Temperature

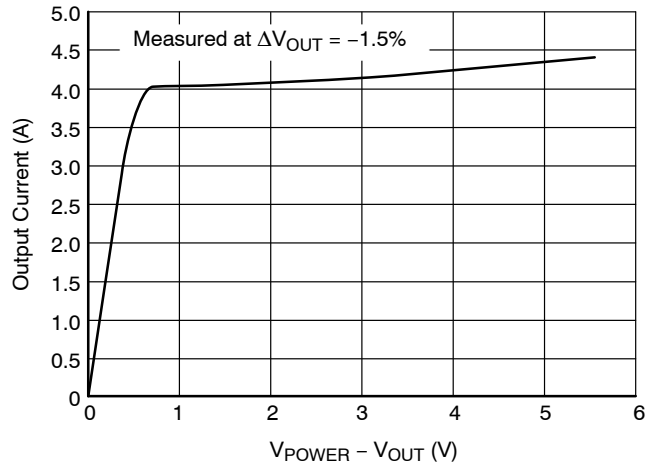


Figure 4. Output Current vs  $V_{POWER} - V_{OUT}$

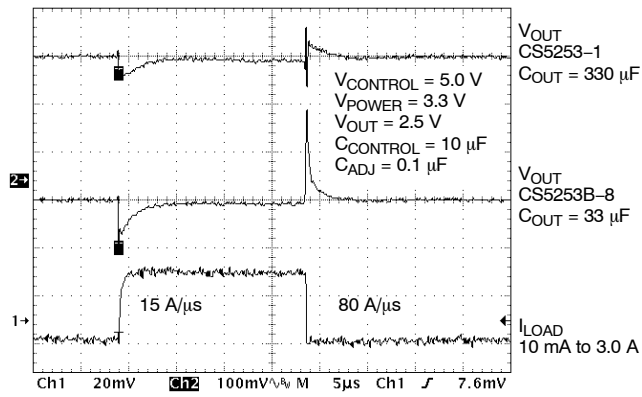


Figure 5. Transient Response Comparison between CS5253-1 and CS5253B-8

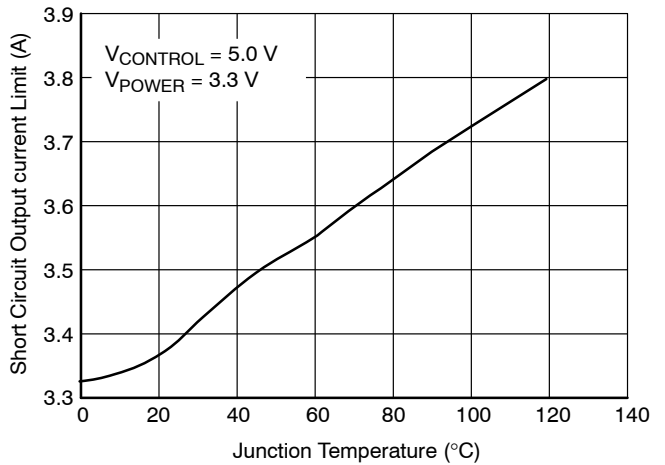


Figure 6. Short Circuit Output Current vs Junction Temperature

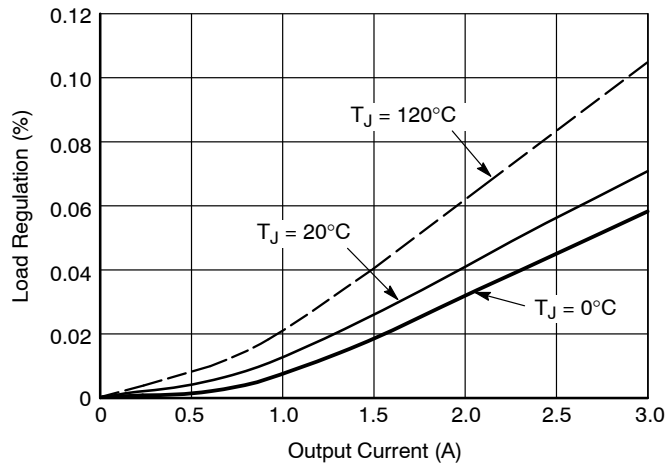


Figure 7. Load Regulation vs Output Current

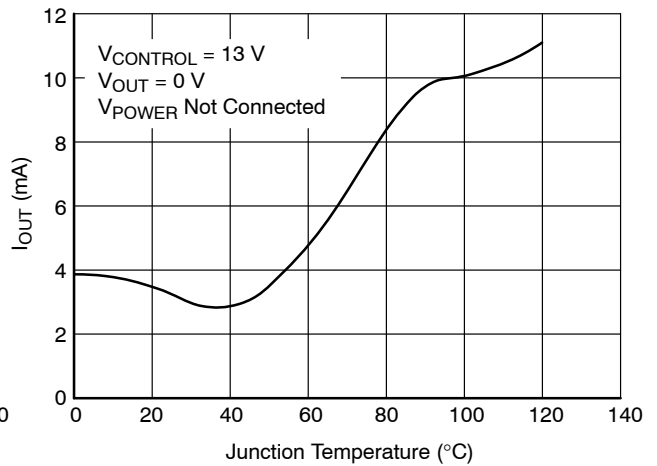


Figure 8.  $V_{CONTROL}$  Only Output Current vs Junction Temperature

# CS5253B-8

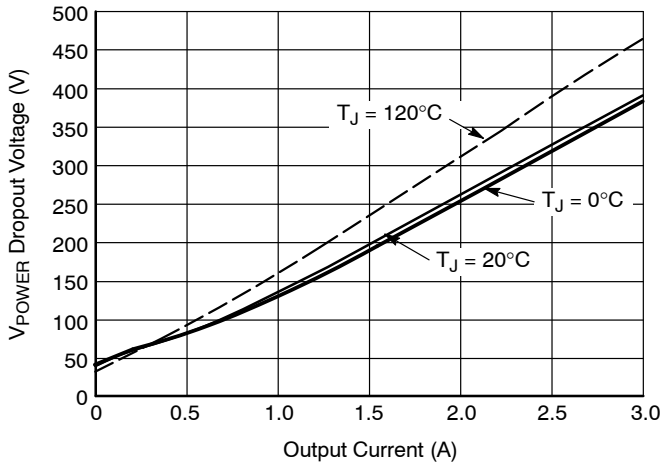


Figure 9.  $V_{POWER}$  Dropout Voltage vs Output Current

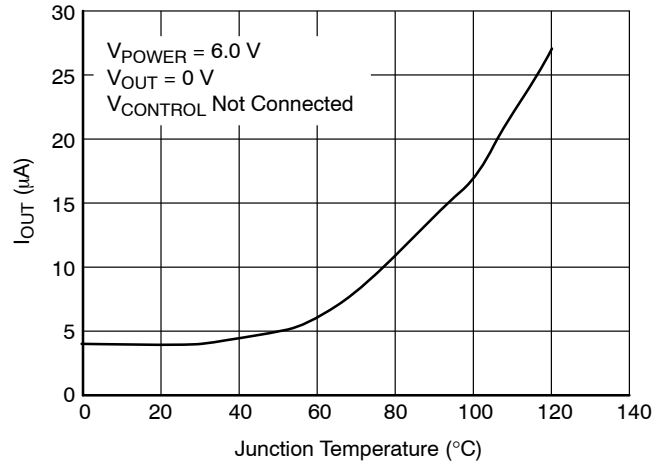


Figure 10.  $V_{POWER}$  Only Output Current vs Junction Temperature

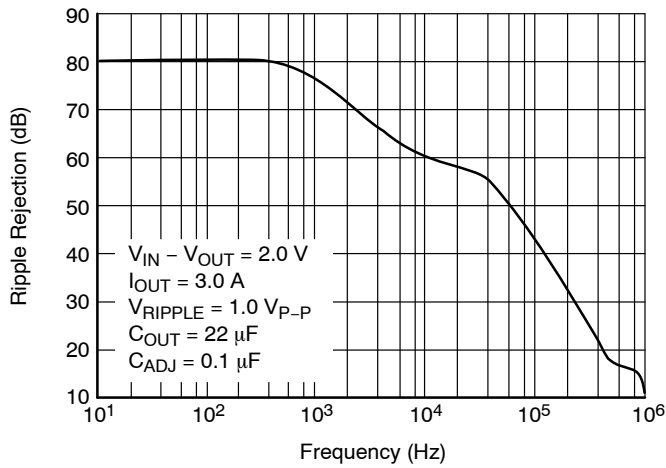


Figure 11. Ripple Rejection vs Frequency

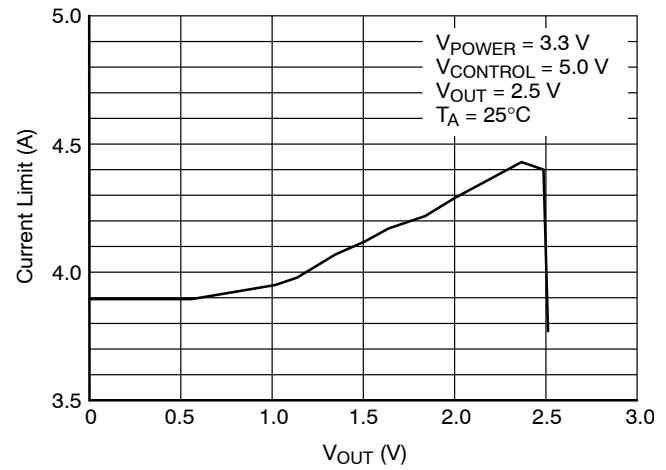


Figure 12. Current Limit vs  $V_{OUT}$

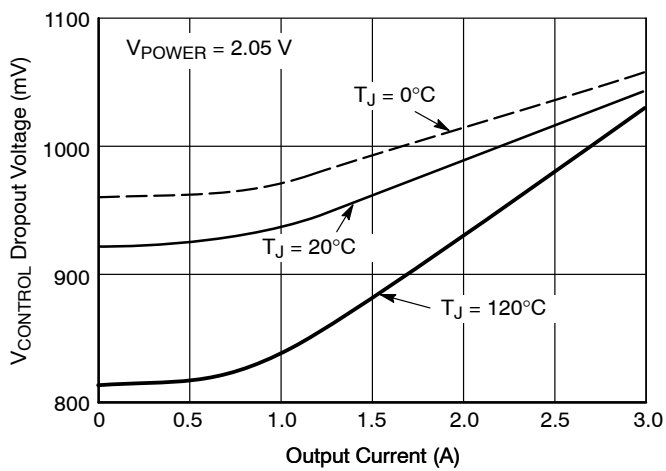


Figure 13.  $V_{CONTROL}$  Dropout Voltage vs Output Current

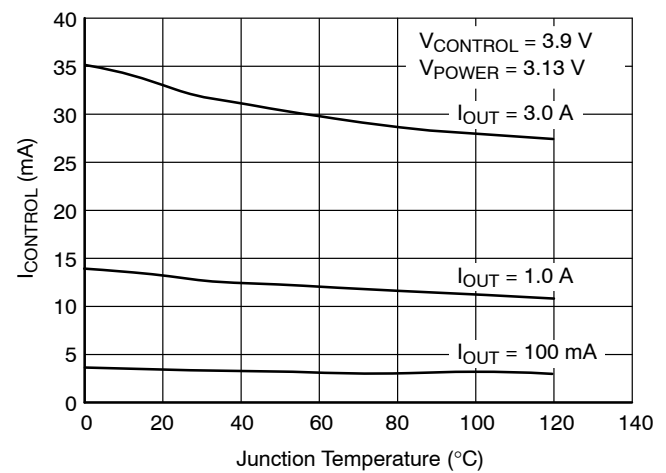


Figure 14.  $V_{CONTROL}$  Supply Current vs Junction Temperature

## CS5253B-8

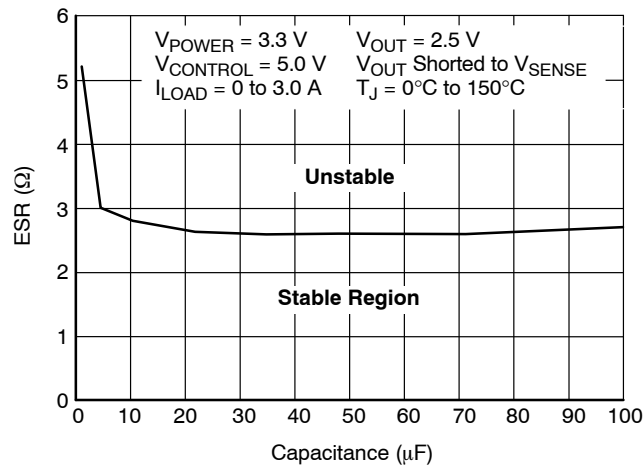


Figure 15. Stability vs ESR

## APPLICATIONS NOTES

### THEORY OF OPERATION

The CS5253B-8 linear regulator is fixed at 2.5 V at currents up to 3.0 A. The regulator is protected against short circuits, and includes a thermal shutdown circuit with hysteresis. The output, which is current limited, consists of a PNP-NPN transistor pair and requires an output capacitor for stability.

### V<sub>POWER</sub> Function

The CS5253B-8 utilizes a two supply approach to maximize efficiency. The collector of the power device is brought out to the V<sub>POWER</sub> pin to minimize internal power dissipation under high current loads. V<sub>CONTROL</sub> provides for the control circuitry and the drive for the output NPN transistor. V<sub>CONTROL</sub> should be at least 1.0 V greater than the output voltage. Special care has been taken to ensure that there are no supply sequencing problems. The output voltage will not turn on until both supplies are operating. If the control voltage comes up first, the output current will be limited to about three milliamperes until the power input voltage comes up. If the power input voltage comes up first, the output will not turn on at all until the control voltage comes up. The output can never come up unregulated.

The CS5253B-8 can also be used as a single supply device with the control and power inputs tied together. In this mode, the dropout will be determined by the minimum control voltage.

### Output Voltage Sensing

The CS5253B-8 five terminal linear regulator includes a dedicated V<sub>SENSE</sub> function. This allows for true Kelvin sensing of the output voltage. This feature can virtually eliminate errors in the output voltage due to load regulation. Regulation will be optimized at the point where the sense pin is tied to the output.

### DESIGN GUIDELINES

#### Remote Sense

Remote sense operation can be easily obtained with the CS5253B-8 but some care must be paid to the layout and positioning of the filter capacitors around the part. The ground side of the input capacitors on the +5.0 V and +3.3 V lines and the local V<sub>OUT</sub>-to-ground output capacitor on the IC must be tied close to the ground pin of the regulator. This will establish the stability of the part. The IC ground may then be connected to ground remotely at the load, giving the ground portion remote sense operation.

The V<sub>SENSE</sub> line can then be tied remotely at the positive load connection, giving the feedback remote sense operation. The remote sense lines should be Kelvin connected so as to eliminate the effect of load current voltage drop. An optional bypass capacitor may be used at the load to reduce the effect of load variations and spikes.

#### Current Limit

The internal current limit circuit limits the output current under excessive load conditions.

#### Short Circuit Protection

The device includes short circuit protection circuitry that clamps the output current at approximately 500mA less than its current limit value. This provides for a current foldback function, which reduces power dissipation under a direct shorted load.

#### Thermal Shutdown

The thermal shutdown circuitry is guaranteed by design to activate above a die junction temperature of approximately 150°C and to shut down the regulator output. This circuitry has 25°C of typical hysteresis, thereby allowing the regulator to recover from a thermal fault automatically.

## CS5253B-8

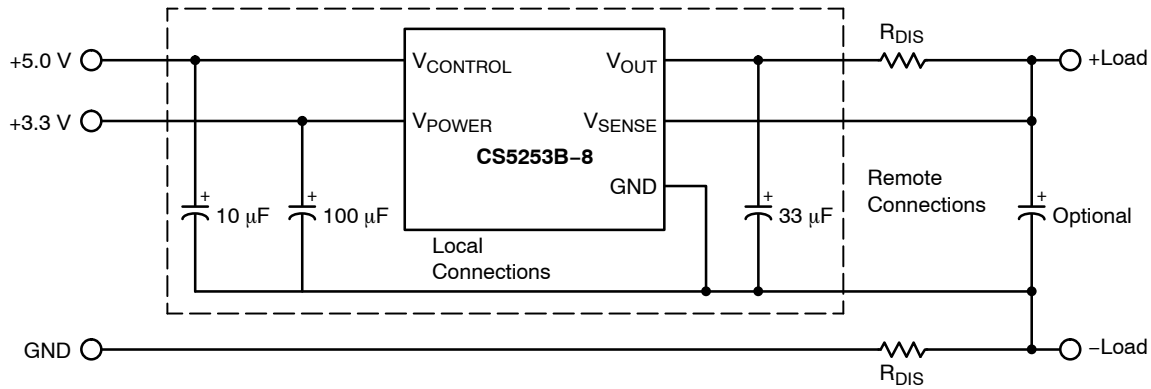


Figure 16. Remote Sense

### Calculating Power Dissipation and Heatsink Requirements

High power regulators such as the CS5253B-8 usually operate at high junction temperatures. Therefore, it is important to calculate the power dissipation and junction temperatures accurately to ensure that an adequate heatsink is used. Since the package tab is connected to  $V_{OUT}$  on the CS5253B-8, electrical isolation may be required for some applications. Also, as with all high power packages, thermal compound is necessary to ensure proper heat flow. For added safety, this high current LDO includes an internal thermal shutdown circuit.

The thermal characteristics of an IC depend on the following four factors: junction temperature, ambient temperature, die power dissipation, and the thermal resistance from the die junction to ambient air. The maximum junction temperature can be determined by:

$$T_{J(max)} = T_{A(max)} + PD(max) \times R_{\theta JA}$$

The maximum ambient temperature and the power dissipation are determined by the design while the maximum junction temperature and the thermal resistance depend on the manufacturer and the package type. The maximum power dissipation for a regulator is:

$$PD(max) = (V_{IN(max)} - V_{OUT(min)})I_{OUT(max)} + V_{IN(max)} \times I_{IN(max)}$$

A heatsink effectively increases the surface area of the package to improve the flow of heat away from the IC and into the surrounding air. Each material in the heat flow path between the IC and the outside environment has a thermal resistance which is measured in degrees per watt. Like series electrical resistances, these thermal resistances are summed to determine the total thermal resistance between the die junction and the surrounding air,  $R_{\theta JA}$ . This total thermal resistance is comprised of three components. These resistive terms are measured from junction-to-case ( $R_{\theta JC}$ ), case-to-heatsink ( $R_{\theta CS}$ ), and heatsink-to-ambient air ( $R_{\theta SA}$ ). The equation is:

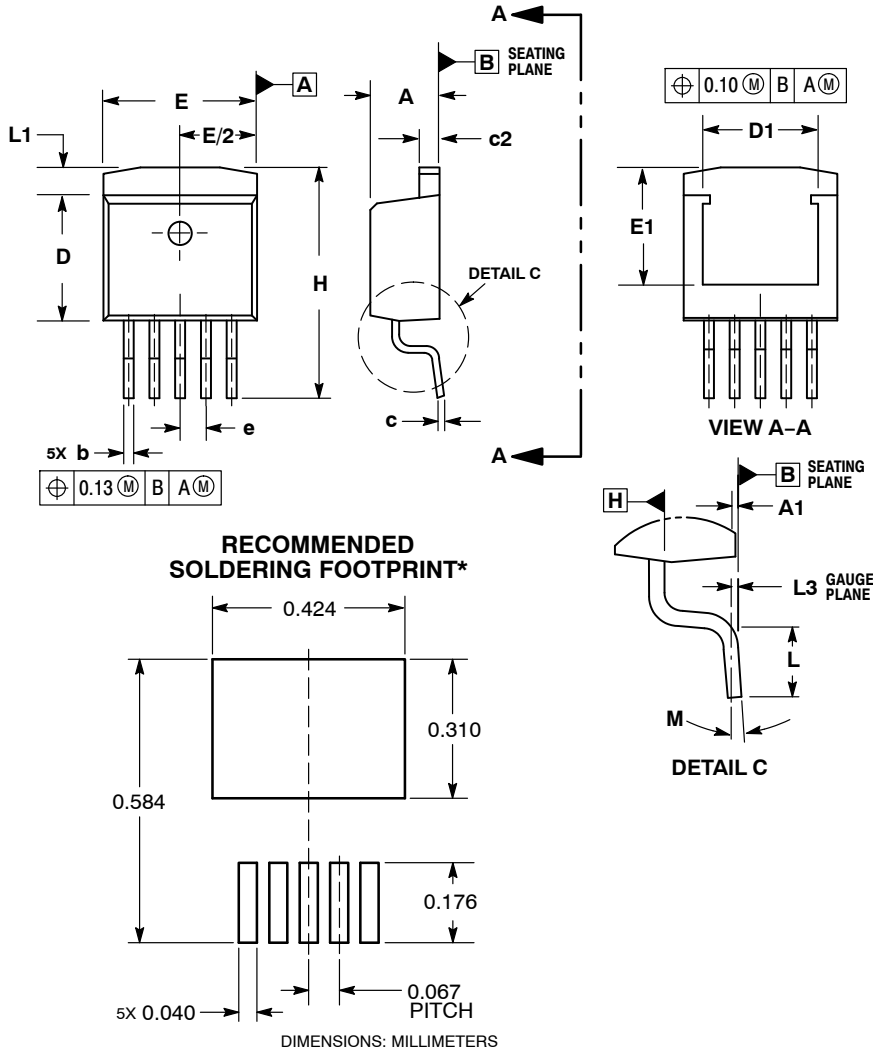
$$R_{\theta JA} = R_{\theta JC} + R_{\theta CS} + R_{\theta SA}$$

The value for  $R_{\theta JC}$  is 2.5°C/watt for the CS5253B-8 in the D<sup>2</sup>PAK-5 package. For a high current regulator such as the CS5253B-8 the majority of heat is generated in the power transistor section. The value for  $R_{\theta SA}$  depends on the heatsink type, while the  $R_{\theta CS}$  depends on factors such as package type, heatsink interface (is an insulator and thermal grease used?), and the contact area between the heatsink and the package. Once these calculations are complete, the maximum permissible value of  $R_{\theta JA}$  can be calculated and the proper heatsink selected. For further discussion on heatsink selection, see our application note "Thermal Management," document number AND8036/D.

# CS5253B-8

## PACKAGE DIMENSIONS

D<sup>2</sup>PAK-5  
DP SUFFIX  
CASE 936AC-01  
ISSUE O



### NOTES:

1. DIMENSIONING AND TOLERANCING PER ASME Y14.5M, 1994.
2. CONTROLLING DIMENSION: INCHES.
3. DIMENSIONS D AND E DO NOT INCLUDE MOLD FLASH AND GATE PROTRUSIONS. MOLD FLASH AND GATE PROTRUSIONS NOT TO EXCEED 0.005 MAXIMUM PER SIDE. THESE DIMENSIONS TO BE MEASURED AT DATUM H.
4. THERMAL PAD CONTOUR OPTIONAL WITHIN DIMENSIONS E, L1, D1, AND E1. DIMENSIONS D1 AND E1 ESTABLISH A MINIMUM MOUNTING SURFACE FOR THE THERMAL PAD.

DIM	INCHES		MILLIMETERS	
	MIN	MAX	MIN	MAX
A	0.170	0.180	4.32	4.57
A1	0.000	0.010	0.00	0.25
b	0.026	0.036	0.66	0.91
c	0.017	0.026	0.43	0.66
c2	0.045	0.055	1.14	1.40
D	0.325	0.368	8.25	9.53
D1	0.250	---	6.35	---
E	0.380	0.420	9.65	10.67
E1	0.200	---	5.08	---
e	0.067 BSC		1.70 BSC	
H	0.580	0.620	14.73	15.75
L	0.090	0.110	2.29	2.79
L1	---	0.066	---	1.68
L3	0.010 BSC		0.25 BSC	
M	0°	8°	0°	8°

\*For additional information on our Pb-Free strategy and soldering details, please download the ON Semiconductor Soldering and Mounting Techniques Reference Manual, SOLDERRM/D.

### PACKAGE THERMAL DATA

Parameter		D <sup>2</sup> PAK-5	Unit
R <sub>θJC</sub>	Typical	2.5	°C/W
R <sub>θJA</sub>	Typical	10-50*	°C/W

\*Depending on thermal properties of substrate. R<sub>θJA</sub> = R<sub>θJC</sub> + R<sub>θCA</sub>.



**ON Semiconductor** and  are registered trademarks of Semiconductor Components Industries, LLC (SCILLC). SCILLC reserves the right to make changes without further notice to any products herein. SCILLC makes no warranty, representation or guarantee regarding the suitability of its products for any particular purpose, nor does SCILLC assume any liability arising out of the application or use of any product or circuit, and specifically disclaims any and all liability, including without limitation special, consequential or incidental damages. "Typical" parameters which may be provided in SCILLC data sheets and/or specifications can and do vary in different applications and actual performance may vary over time. All operating parameters, including "Typicals" must be validated for each customer application by customer's technical experts. SCILLC does not convey any license under its patent rights nor the rights of others. SCILLC products are not designed, intended, or authorized for use as components in systems intended for surgical implant into the body, or other applications intended to support or sustain life, or for any other application in which the failure of the SCILLC product could create a situation where personal injury or death may occur. Should Buyer purchase or use SCILLC products for any such unintended or unauthorized application, Buyer shall indemnify and hold SCILLC and its officers, employees, subsidiaries, affiliates, and distributors harmless against all claims, costs, damages, and expenses, and reasonable attorney fees arising out of, directly or indirectly, any claim of personal injury or death associated with such unintended or unauthorized use, even if such claim alleges that SCILLC was negligent regarding the design or manufacture of the part. SCILLC is an Equal Opportunity/Affirmative Action Employer. This literature is subject to all applicable copyright laws and is not for resale in any manner.

**PUBLICATION ORDERING INFORMATION**

**LITERATURE FULFILLMENT:**

Literature Distribution Center for ON Semiconductor  
P.O. Box 5163, Denver, Colorado 80217 USA  
**Phone:** 303-675-2175 or 800-344-3860 Toll Free USA/Canada  
**Fax:** 303-675-2176 or 800-344-3867 Toll Free USA/Canada  
**Email:** orderlit@onsemi.com

**N. American Technical Support:** 800-282-9855 Toll Free  
USA/Canada  
**Europe, Middle East and Africa Technical Support:**  
Phone: 421 33 790 2910  
**Japan Customer Focus Center**  
Phone: 81-3-5773-3850

**ON Semiconductor Website:** [www.onsemi.com](http://www.onsemi.com)

**Order Literature:** <http://www.onsemi.com/orderlit>

For additional information, please contact your local Sales Representative