

High Performance Multichannel Audio ADC

Features

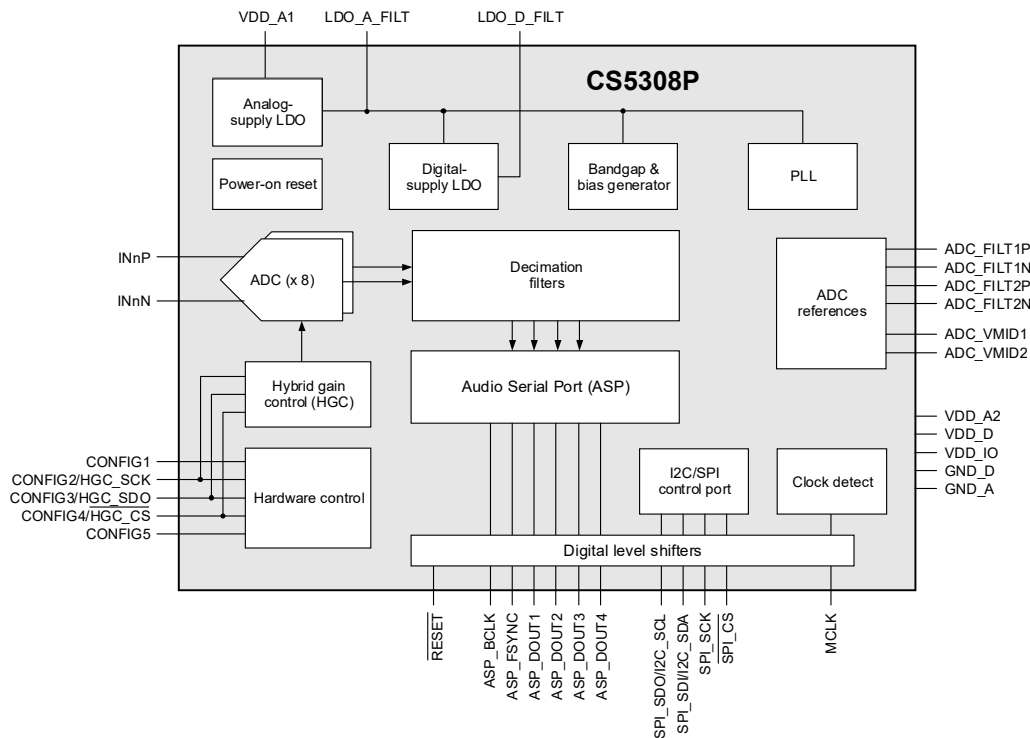
- High performance eight-channel ADC
 - Differential analog architecture
 - High-resolution 32-bit digital architecture
 - Advanced multibit sigma-delta ADC
 - Low-latency digital filters and digital volume control
- PLL supports range of external system-clock references
- Sample timing alignment across multiple devices
- Synchronized control of external preamplifier gain
- Audio serial port (ASP) sample rates up to 768 kHz
 - I²S, left-justified, and TDM data formats
- Hardware and software control modes
 - I²C control port up to 1 MHz
 - SPI control port up to 24 MHz
 - Hardware control with no host processor required
- Single-supply operation at 3.3 V
 - Support for 1.8 V–3.3 V digital input/output
- 48-pin QFN package

Specifications

- 123 dB dynamic range (A-weighted)
- 129 dB dynamic range (ADC input summing)
- –110 dB total harmonic distortion + noise (THD+N)
- 4.1/F_s group delay at 96 kHz sample rate (slow roll-off, minimum-phase filter)
- 25 mW power consumption per channel (8 channels enabled)
- 2 V_{RMS} differential analog input
- High-pass filter

Applications

- A/V receivers
- Digital mixing consoles
- DAW interfaces
- Musical instruments



Advanced Product Information

This document contains information for a product under development. Cirrus Logic reserves the right to modify this product without notice.

General Description

The CS5308P is a high-performance, 32-bit resolution, eight-channel ADC. The CS5308P supports differential analog input, and 32-bit digital output via the audio serial port (ASP) at sample rates up to 768 kHz. The CS5308P uses a 5th-order, multibit sigma-delta modulator followed by digital filtering and decimation. The ADC uses a differential architecture, optimized for high performance combined with low power consumption.

The CS5308P can be configured using a control interface supporting I²C and SPI modes of operation. The device can also be operated in hardware mode, using external resistors to select the required configuration. Multiple hardware-control options are supported, including system clocking, ASP format, sample rate, and digital-filter selection.

The low-latency digital filters are optimized for the applicable sample rate. Fast or slow roll-off filters can be combined with minimum or linear phase responses to support the desired signal characteristics.

The CS5308P supports synchronized control of an external preamplifier associated with each ADC input path. Updates to the external and internal gain settings are fully synchronized, and a transient-masking function provides additional capability to ensure seamless operation across all signal levels.

The ASP supports multichannel operation in I²S, left-justified, and TDM data formats. Four data-output pins support 32-bit multichannel operation up to 384 kHz (eight channels) or 768 kHz (four channels). Tristate control of the data-output pins allows multiple devices to operate on a shared bus.

Clocking for the CS5308P can be derived from the ASP or else provided from a separate clock source. An integrated phase-locked loop (PLL) can be used to reduce jitter and to support a range of reference-clock frequency options. The ADC-sample timing is referenced to the ASP data frame, enabling time-aligned operation across multiple devices sharing a common data bus.

The CS5308P can be powered from a single 3.3 V supply; an integrated regulator provides the 1.2 V digital-core supply. Digital input/output at 1.8 V logic levels is also possible using a separate external supply. The device combines high performance with low power consumption.

The CS5308P is available in a commercial-grade 0.4 mm pitch, 48-pin QFN package for operation from –40° to +85°C.

See [Section 11](#) for ordering information.

Table of Contents

1 Pin Assignments and Descriptions	4
1.1 48-Pin QFN (Top View, Through-Package)	4
1.2 QFN Pin Descriptions	4
1.3 Termination of Unused Pins	6
1.4 Electrostatic Discharge (ESD) Protection	6
2 Typical Connection Diagram	7
3 Characteristics and Specifications	8
Table 3-1. Parameter Definitions	8
Table 3-2. Recommended Operating Conditions	8
Table 3-3. Absolute Maximum Ratings	8
Table 3-4. ADC Path Characteristics	9
Table 3-5. ADC Filter Characteristics	10
Table 3-6. ADC High-Pass Filter (HPF)	11
Table 3-7. Device Power Consumption	11
Table 3-8. Digital Interface Specifications and Characteristics	11
Table 3-9. DC Characteristics	12
Table 3-10. Switching Specifications—Reset and Clock References	12
Table 3-11. Switching Specifications—Audio Serial Port (ASP)	13
Table 3-12. Switching Specifications—I ² C Control Port	15
Table 3-13. Switching Specifications—SPI Control Port	16
Table 3-14. Switching Specifications—SPI Controller (Hybrid Gain Control)	17
4 Functional Description	18
4.1 Device Power and Reset	18
4.2 Hardware Configuration	18
4.3 Software Configuration	20
4.4 System Clocking	20
4.5 ADC and Analog Input	22
4.6 Digital Filter Selection	29
4.7 Audio Serial Port (ASP)	30
4.8 I ² C/SPI Control Port	39
4.9 General-Purpose Output	43
4.10 Device ID	44
5 Register Quick Reference	45
5.1 DEVID	45
5.2 CONFIG	45
5.3 INPUT_PATH	46
5.4 HGC	46
5.5 PIN_CONFIG	49
5.6 CLIP_DETECT	49
6 Register Descriptions	50
6.1 DEVID	50
6.2 CONFIG	51
6.3 INPUT_PATH	53
6.4 HGC	58
6.5 PIN_CONFIG	72
6.6 CLIP_DETECT	74
7 Performance Plots	76
7.1 ADC Filter Response	76
8 Thermal Characteristics	87
9 Package Dimensions	87
10 Package Marking	88
11 Ordering Information	88
12 References	88
13 Revision History	88

1 Pin Assignments and Descriptions

1.1 48-Pin QFN (Top View, Through-Package)

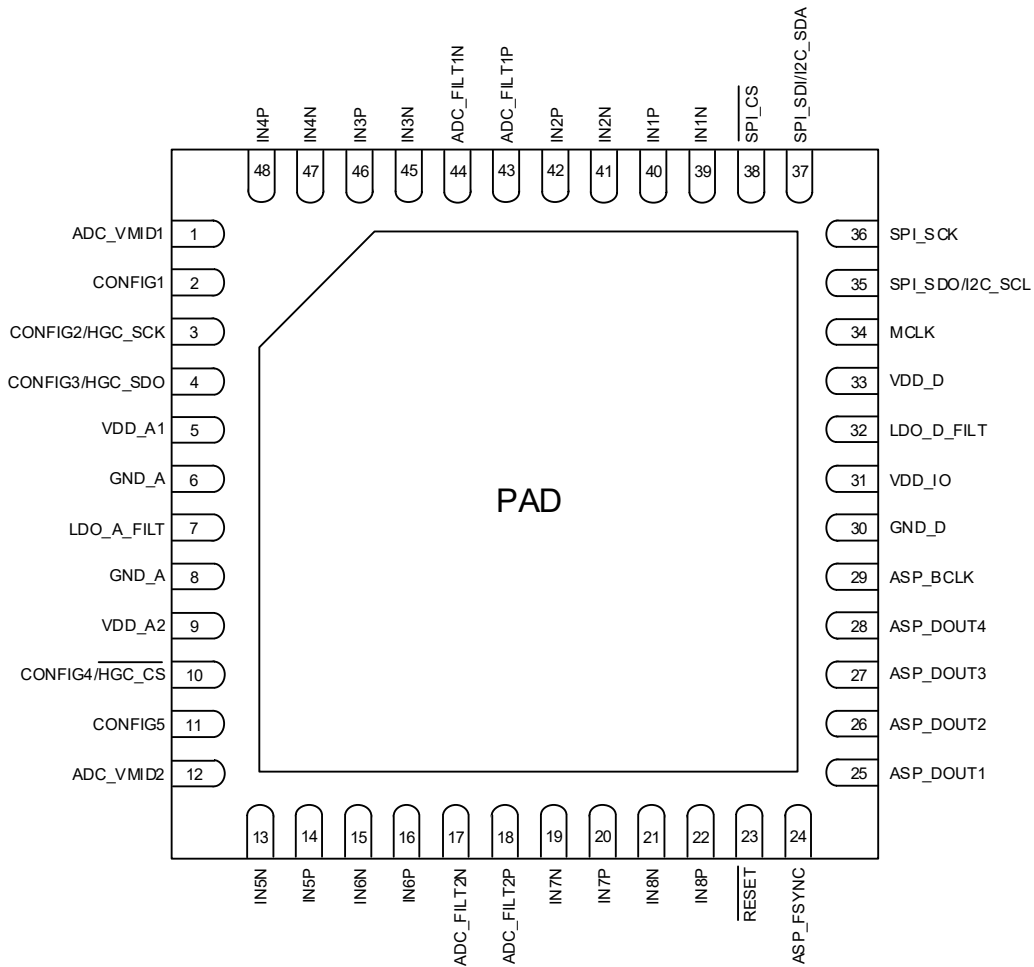


Figure 1-1. QFN 48-pin diagram (Top View, Through Package)

1.2 QFN Pin Descriptions

Table 1-1. QFN Pin Descriptions

Pin Name	Pin #	Power Supply	I/O	Description
Digital I/O				
ASP_BCLK	29	VDD_IO	I/O	Audio serial port bit clock.
ASP_FSYNC	24	VDD_IO	I/O	Audio serial port frame sync.
ASP_DOUT1	25	VDD_IO	O	Audio serial port data output.
ASP_DOUT2	26			
ASP_DOUT3	27			
ASP_DOUT4	28			
SPI_SDO/I2C_SCL	35	VDD_IO	I/O	SPI data output/I2C clock input.
SPI_SCK	36	VDD_IO	I	SPI clock.
SPI_SDI/I2C_SDA	37	VDD_IO	I/O	SPI data input/I2C data input/output.

Table 1-1. QFN Pin Descriptions (Cont.)

Pin Name	Pin #	Power Supply	I/O	Description
SPI_CS	38	VDD_IO	I	SPI chip select (active low).
MCLK	34	VDD_IO	I	Master clock input.
RESET	23	VDD_IO	I	Hardware reset control (active low).
Analog I/O				
ADC_FILT1N	44	VDD_A	O	ADC external capacitor connection.
ADC_FILT1P	43			ADC_FILT1P should be connected to VDD_A via a 1 Ω resistor.
ADC_FILT2N	17	VDD_A	O	ADC external capacitor connection.
ADC_FILT2P	18			ADC_FILT2P should be connected to VDD_A via a 1 Ω resistor.
ADC_VMID1	1	VDD_A	O	Mid-rail voltage reference output.
ADC_VMID2	12			
CONFIG1	2	VDD_A	I/O	Hardware control pins.
CONFIG2/HGC_SCK	3			In software control mode, CONFIG2–4 support the hybrid gain control (HGC)
CONFIG3/HGC_SDO	4			SPI controller interface.
CONFIG4/HGC_CS	10			In software control mode, CONFIG5 selects the I ² C target address.
CONFIG5	11			
IN1N	39	VDD_A	I	Analog Input 1.
IN1P	40			
IN2N	41	VDD_A	I	Analog Input 2.
IN2P	42			
IN3N	45	VDD_A	I	Analog Input 3.
IN3P	46			
IN4N	47	VDD_A	I	Analog Input 4.
IN4P	48			
IN5N	13	VDD_A	I	Analog Input 5.
IN5P	14			
IN6N	15	VDD_A	I	Analog Input 6.
IN6P	16			
IN7N	19	VDD_A	I	Analog Input 7.
IN7P	20			
IN8N	21	VDD_A	I	Analog Input 8.
IN8P	22			
LDO_A_FILT	7	VDD_A	O	LDO_A regulator external capacitor connection.
LDO_D_FILT	32	VDD_A	O	LDO_D regulator external capacitor connection.
Power Supplies				
VDD_D	33	—	—	Digital supply (powered from internal LDO)
VDD_A1	5	—	—	Analog supply
VDD_A2	9	—	—	Analog supply
VDD_IO	31	—	—	Digital I/O supply
GND_D	30	—	—	Digital ground ¹
GND_A	6, 8, PAD	—	—	Analog ground ¹

1. All ground pins, including the ground paddle, must be tied to a common ground plane directly underneath the CS5308P.

1.3 Termination of Unused Pins

Table 1-2 shows the required termination for unused pins (i.e., if the functionality of the pin is not being used). Pins not listed must be connected as shown in the typical connection drawings (see Section 2).

Table 1-2. Termination of Unused Pins

Name	Termination if unused
ASP_DOUTx	Float
RESET	
SPI_SDO/I2C_SCL	Grounded
SPI_SCK	
SPI_SDI/I2C_SDA	
MCLK	
CONFIGx	
INnx	
SPI_CS	

1.4 Electrostatic Discharge (ESD) Protection



ESD-sensitive device. The CS5308P is manufactured on a CMOS process. Therefore, it is generically susceptible to damage from excessive static voltages. Proper ESD precautions must be taken while handling and storing this device. This device is qualified to current JEDEC ESD protection standards.

2 Typical Connection Diagram

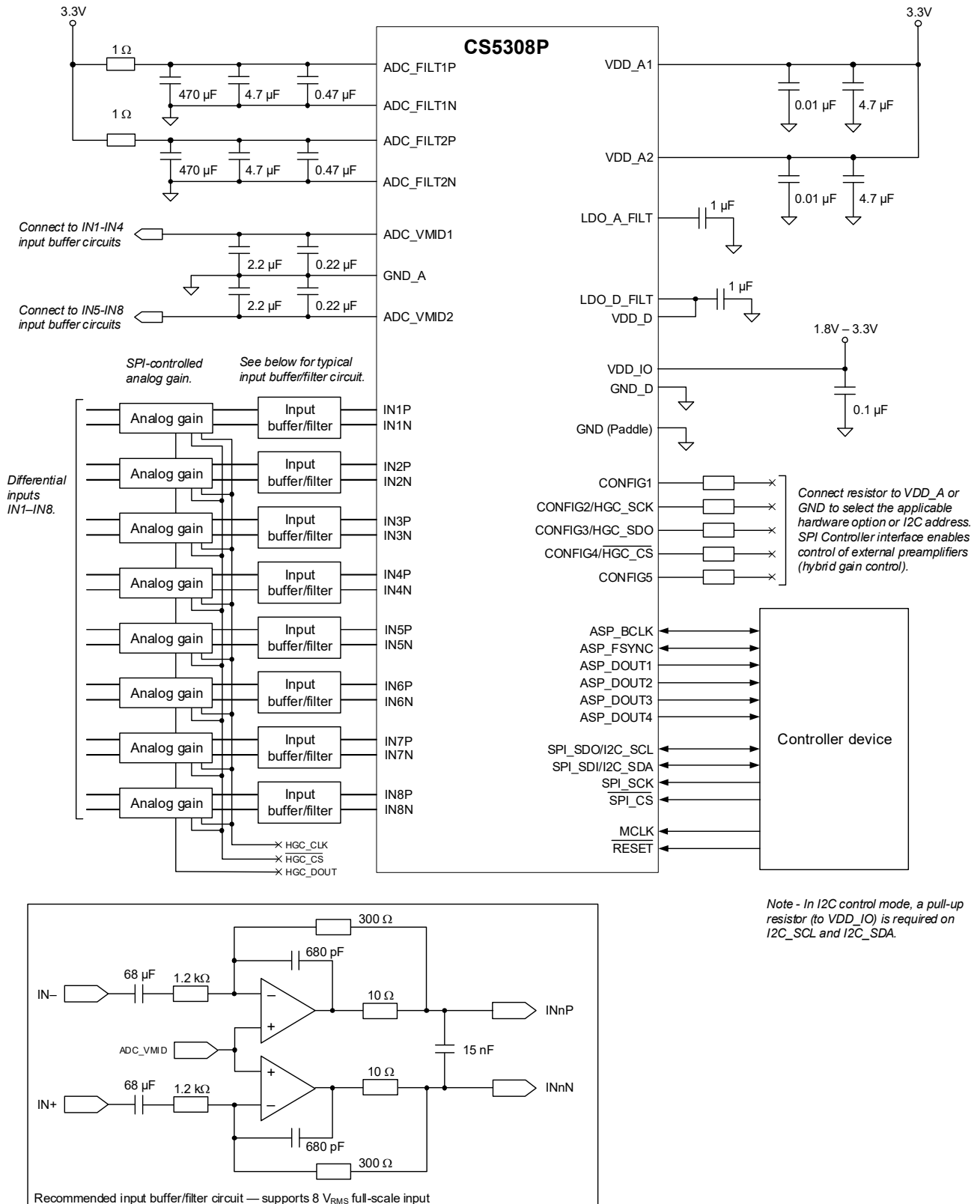


Figure 2-1. Typical Connections

3 Characteristics and Specifications

Table 3-1 defines parameters as they are characterized in this section. Note that default register field configurations are used unless specified otherwise in the test conditions.

Table 3-1. Parameter Definitions

Parameter	Definition
Channel separation	The difference in level between the active channel (driven to maximum full scale output) and the measured signal level in the idle channel at the test signal frequency. The active channel is configured and supplied with an appropriate input signal to drive a full scale output, with signal measured at the output of the associated idle channel.
Common-mode rejection ratio (CMRR)	The ratio of a specified input signal (applied to both sides of a differential input), relative to the output signal that results from it.
Dynamic range	The difference in level between the maximum full scale output signal and the sum of all harmonic distortion products plus noise with a low-level input signal applied. Typically, an input signal level 60 dB below full scale is used.
Power-supply rejection ratio (PSRR)	The ratio of a specified power supply variation relative to the output signal that results from it. PSRR is measured under quiescent signal path conditions.
Total harmonic distortion plus noise (THD+N)	The ratio of the RMS sum of the harmonic distortion products plus noise in the specified bandwidth relative to the RMS amplitude of the fundamental (i.e., test frequency) output.

Note: Unless specified otherwise, all performance measurements are for a 10 Hz to 20 kHz bandwidth.

Table 3-2. Recommended Operating Conditions

Test conditions (unless specified otherwise): Ground = GND = GND_A = GND_D = 0 V; voltages are with respect to ground.

Parameter		Symbol	Minimum	Maximum	Unit
DC power supply	Analog supply ¹	VDD_A1, VDD_A2	3.13	3.47	V
	Digital supply (powered from internal LDO) ²	VDD_D	1.14	1.26	V
	Digital I/O supply	VDD_IO	1.71	3.63	V
Supply ramp up/down (all supplies)		t _{PWR-UD}	0.01	10	ms
Ambient temperature		T _A	-40	+85	°C

Note: The device is fully functional and meets all parametric specifications in this section if operated within the specified conditions. Functionality and parametric performance is not guaranteed or implied outside of these limits. Operation outside of these limits may adversely affect device reliability.

1. The VDD_A1 and VDD_A2 rails should be tied together and powered from a single supply. The associated power domain is referred to as VDD_A.
2. The digital supply is powered from an internal LDO regulator. The VDD_D pin must be connected to the LDO output pin, LDO_D_FILTER.

Table 3-3. Absolute Maximum Ratings

Test conditions (unless specified otherwise): Ground = GND = GND_A = GND_D = 0 V; voltages are with respect to ground.

Parameter		Symbol	Minimum	Maximum	Unit
DC power supply	Analog supply ¹	VDD_A1, VDD_A2	-0.3	4.32	V
	Digital supply	VDD_D	-0.3	1.52	V
	Digital I/O supply	VDD_IO	-0.3	4.32	V
External voltage applied to digital input/output		V _{INDI}	-0.3	VDD_IO + 0.3	V
External voltage applied to analog inputs		V _{INAI}	-0.3	VDD_A + 0.3	V
Input current	digital input/output	I _{in}	—	±10	mA
	analog inputs		—	±10	mA
Ambient operating temperature		T _A	-40	+115	°C
Junction operating temperature		T _J	-40	+125	°C
Storage temperature		T _{STG}	-65	+150	°C

Caution: Stresses beyond “Absolute Maximum Ratings” levels may cause permanent damage to the device. These levels are stress ratings only, and functional operation of the device at these or any other conditions beyond those indicated in Table 3-2 is not implied. Exposure to absolute maximum rating conditions for extended periods may affect device reliability.

1. The VDD_A1 and VDD_A2 rails should be tied together and powered from a single supply. The associated power domain is referred to as VDD_A.

Table 3-4. ADC Path Characteristics

Test conditions (unless specified otherwise): External components as shown in [Fig. 2-1](#); VDD_A = VDD_IO = 3.3 V; VDD_D = 1.2 V (powered from internal LDO); Ground = GND = GND_A = GND_D = 0 V; voltages are with respect to ground; T_A = +25°C; 1 kHz sine wave test signal; F_s = 48 kHz, 32-bit audio data, MCLK = 24.576 MHz (PLL bypass).

Parameter		Min	Typ	Max	Units
Input resistance (INnP to INnN)	Mid impedance (INxx_HIZ = 0)	—	3	—	kΩ
	High impedance (INxx_HIZ = 1)	—	100	—	kΩ
Full-scale input signal level ¹	0 dBFS output	—	2.0	—	V _{RMS}
Dynamic range	A-weighted	120	123	—	dB
	unweighted	117	120	—	dB
Dynamic range—ADC input summing ²	A-weighted, 4-channel output	123	126	—	dB
	A-weighted, 2-channel output	126	129	—	dB
THD+N	–1 dBFS output	—	–110	–104	dB
	–20 dBFS output	—	–100	—	dB
	–60 dBFS output	—	–60	—	dB
CMRR	100 mV (peak-peak) 1 kHz	—	80	—	dB
Channel separation		—	110	—	dB
Interchannel phase deviation		—	0.03	—	degree
Interchannel gain deviation		—	0.1	—	dB
Gain drift		—	±100	—	ppm/°C
PSRR (VDD_A)	100 mV (peak-peak) 1 kHz sine wave	—	65	—	dB

1. The full-scale input signal level is also the maximum analog input level, before clipping occurs. A sinusoidal input signal is assumed.

Full-scale input signal level scales with VDD_A.

2. ADC input summing is described in [Section 4.5.5](#).

Table 3-5. ADC Filter Characteristics

Test conditions (unless specified otherwise): VDD_A = VDD_IO = 3.3 V; VDD_D = 1.2 V (powered from internal LDO); Ground = GND = GND_A = GND_D = 0 V; voltages are with respect to ground; T_A = +25°C; 1 kHz sine wave test signal, 32-bit audio data.

		Parameter	Min	Typ	Max	Units	
Fs = 32 kHz	Fast roll-off	Passband	to -3 dB corner	—	—	0.47	Fs
		Passband ripple	f ≤ 0.45 Fs	-0.092	—	0.092	dB
		Stopband attenuation	f ≥ 0.55 Fs	98	—	—	dB
		Group delay ¹	linear phase minimum phase	— —	20.5/Fs 4.1/Fs	— —	s s
Fs = 44.1 or 48 kHz	Fast roll-off	Passband	to -3 dB corner	—	—	0.48	Fs
		Passband ripple	f ≤ 0.46 Fs	-0.011	—	0.011	dB
		Stopband attenuation	f ≥ 0.54 Fs	98	—	—	dB
		Group delay ¹	linear phase minimum phase	— —	27.6/Fs 4.0/Fs	— —	s s
	Slow roll-off	Passband	to -3 dB corner	—	—	0.46	Fs
		Passband ripple	f ≤ 0.42 Fs	-0.099	—	0.099	dB
		Stopband attenuation	f ≥ 0.58 Fs	96	—	—	dB
		Group delay ¹	linear phase minimum phase	— —	13.3/Fs 3.9/Fs	— —	s s
Fs = 88.2 or 96 kHz	Fast roll-off	Passband	to -3 dB corner	—	—	0.48	Fs
		Passband ripple	f ≤ 0.45 Fs	-0.006	—	0.006	dB
		Stopband attenuation	f ≥ 0.55 Fs	111	—	—	dB
		Group delay ¹	linear phase minimum phase	— —	32.3/Fs 6.3/Fs	— —	s s
	Slow roll-off	Passband	to -3 dB corner	—	—	0.43	Fs
		Passband ripple	f ≤ 0.27 Fs	-0.011	—	0.011	dB
		Stopband attenuation	f ≥ 0.77 Fs	103	—	—	dB
		Group delay ¹	linear phase minimum phase	— —	7.0/Fs 4.1/Fs	— —	s s
Fs = 176.4 or 192 kHz	Fast roll-off	Passband	to -3 dB corner	—	—	0.47	Fs
		Passband ripple	f ≤ 0.43 Fs	-0.009	—	0.009	dB
		Stopband attenuation	f ≥ 0.57 Fs	99	—	—	dB
		Group delay ¹	linear phase minimum phase	— —	19.1/Fs 5.2/Fs	— —	s s
	Slow roll-off	Passband	to -3 dB corner	—	—	0.29	Fs
		Passband ripple	f ≤ 0.12 Fs	-0.010	—	0.010	dB
		Stopband attenuation	f ≥ 0.67 Fs	99	—	—	dB
		Group delay ¹	linear phase minimum phase	— —	6.4/Fs 4.2/Fs	— —	s s
Fs = 352.8 or 384 kHz	Fast roll-off	Passband	to -3 dB corner	—	—	0.48	Fs
		Passband ripple	f ≤ 0.43 Fs	-0.010	—	0.010	dB
		Stopband attenuation	f ≥ 0.57 Fs	100	—	—	dB
		Group delay ¹	linear phase minimum phase	— —	23.8/Fs 7.5/Fs	— —	s s
	Slow roll-off	Passband	to -3 dB corner	—	—	0.34	Fs
		Passband ripple	f ≤ 0.06 Fs	-0.001	—	0.001	dB
		Stopband attenuation	f ≥ 0.94 Fs	129	—	—	dB
		Group delay ¹	linear phase minimum phase	— —	5.8/Fs 4.7/Fs	— —	s s
Fs = 705.6 or 768 kHz	Fast roll-off	Passband	to -3 dB corner	—	—	0.38	Fs
		Passband ripple	f ≤ 0.22 Fs	-0.009	—	0.009	dB
		Stopband attenuation	f ≥ 0.78 Fs	118	—	—	dB
		Group delay ¹	linear phase minimum phase	— —	9.1/Fs 6.4/Fs	— —	s s
	Slow roll-off	Passband	to -3 dB corner	—	—	0.30	Fs
		Passband ripple	f ≤ 0.03 Fs	-0.008	—	0.008	dB
		Stopband attenuation	f ≥ 0.97 Fs	119	—	—	dB
		Group delay ¹	linear phase minimum phase	— —	7.1/Fs 6.2/Fs	— —	s s

1. Group delay is measured from the time at which a signal is presented on the input pins (INnP/INnN) to the time of the first data bit of the corresponding FSYNC frame being output on the ASP_DOUTn pin.

Table 3-6. ADC High-Pass Filter (HPF)

Test conditions (unless specified otherwise): VDD_A = VDD_IO = 3.3 V; VDD_D = 1.2 V (powered from internal LDO); Ground = GND = GND_A = GND_D = 0 V; voltages are with respect to ground; T_A = +25°C; 1 kHz sine wave test signal; F_s = 48 kHz, 32-bit audio data.

Parameter		Min	Typ	Max	Units
Passband	-0.01 dB corner	—	19	—	Hz
	-3 dB corner	—	1	—	Hz
Phase deviation	f = 20 Hz	—	0.001	—	degree
Filter settling time		—	0.4	—	s

Table 3-7. Device Power Consumption

Test conditions (unless specified otherwise): VDD_A = VDD_IO = 3.3 V; VDD_D = 1.2 V (powered from internal LDO); Ground = GND = GND_A = GND_D = 0 V; voltages are with respect to ground; T_A = +25°C; 1 kHz sine wave test signal; ASP secondary mode, load capacitance (ASP_DOUTn) = 20 pF, F_s = 48 kHz, 32-bit audio data.

Use Configuration		Typical Current (mA)		Total Power (mW)
		I _{VDD_A}	I _{VDD_IO}	
Reset	RESET = Logic 0	0.36	0.04	1.32
Four channels enabled	Mid impedance (IN _{xx_HIZ} = 0)	31.6	1.1	108
	High impedance (IN _{xx_HIZ} = 1)	58.4	1.1	196
Eight channels enabled	Mid impedance (IN _{xx_HIZ} = 0)	58.6	1.9	200
	High impedance (IN _{xx_HIZ} = 1)	112.2	1.9	377

Table 3-8. Digital Interface Specifications and Characteristics

Test conditions (unless specified otherwise): Ground = GND = GND_A = GND_D = 0 V; voltages are with respect to ground; T_A = +25°C.

Parameter		Symbol	Minimum	Maximum	Unit
Input leakage current (per pin)		I _{IN}	—	±10	μA
Input capacitance (per pin)		—	—	5	pF
Digital I/O (VDD_IO logic—all pins except CONFIGx)	High-level output	V _{OH}	0.9×VDD_IO	—	V
	Low-level output	V _{OL}	—	0.1×VDD_IO	V
	High-level input	V _{IH}	0.7×VDD_IO	—	V
	Low-level input	V _{IL}	—	0.3×VDD_IO	V
Digital I/O (VDD_A logic—CONFIGx pins 1)	High-level output	V _{OH}	0.9×VDD_A	—	V
	Low-level output	V _{OL}	—	0.1×VDD_A	V

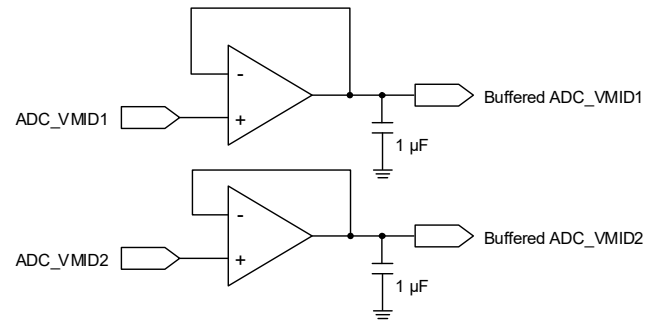
1. The CONFIGx pins are configured as digital output if HGC_SPI_EN is set; this is used to support the hybrid gain control (see Section 4.5.4). The CONFIGx pins also support digital output if configured as GP output (see Section 4.9).

Table 3-9. DC Characteristics

Test conditions (unless specified otherwise): VDD_A = VDD_IO = 3.3 V; VDD_D = 1.2 V (powered from internal LDO); Ground = GND = GND_A = GND_D = 0 V; voltages are with respect to ground; T_A = +25°C.

Parameter		Minimum	Typical	Maximum	Unit
ADC_FILTn [1]	Nominal voltage	—	3.3	—	V
	Maximum output current	—	0.01	—	mA
ADC_VMIDn [2]	Nominal voltage	—	1.65	—	V
	Maximum output current	—	0.01	—	mA
VDD_A power-on reset (POR) threshold (V _{POR})	VDD_A rising	1.9	—	2.7	V
	VDD_A falling	1.8	—	2.6	V
VDD_D power-on reset (POR) threshold (V _{POR})	VDD_D rising	0.90	—	1.05	V
	VDD_D falling	0.75	—	0.90	V

- ADC_FILTn characteristics are measured between ADC_FILTnP and ADC_FILTnN, and are provided as a guide for external component selection. The output current (arising from capacitor leakage) must be less than the maximum output current of the respective ADC_FILTn pin.
- The output current (arising from capacitor leakage and the input-buffer circuits) must be less than the maximum output current of the respective ADC_VMIDn pin. If a larger current is required, an external VMID buffer should be used. A buffer can be provided using a standard op-amp (noise voltage < 5 nV/√Hz, input current < 10 μA). An example circuit is as follows:


Table 3-10. Switching Specifications—Reset and Clock References

Test conditions (unless specified otherwise): VDD_A = VDD_IO = 3.3 V; VDD_D = 1.2 V (powered from internal LDO); Ground = GND = GND_A = GND_D = 0 V; voltages are with respect to ground; T_A = +25°C.

Parameter		Symbol	Minimum	Typical	Maximum	Unit	
Reset	RESET low (logic 0) pulse width	t _{RLPW}	1	—	—	ms	
	RESET rising edge to control port active	t _{IRS}	—	—	5	ms	
MCLK input	MCLK frequency (MCLK as clock source, PLL not used)	f _{MCLK}	—	22.5792 24.576	—	MHz MHz	
	MCLK duty cycle (MCLK as clock source, PLL not used)	D _{MCLK}	40	—	60	%	
	MCLK frequency tolerance (MCLK as clock source, PLL not used)	—	-1	—	1	%	
Phase-locked loop (PLL)	REFCLK input frequency (BCLK or MCLK reference) ¹	f _{REFCLK}	—	2.8224 5.6448 11.2896 22.5792 3.072 6.144 12.288 24.576	—	MHz MHz MHz MHz MHz MHz MHz MHz	
		REFCLK input duty cycle	D _{REFCLK}	45	—	55	%
		REFCLK frequency tolerance	—	-1	—	1	%
		PLL output frequency	f _{PLL_OUT}	—	24.576 22.5792	—	MHz MHz
			F _s = 32, 48, 96, 192, 384, 768 kHz F _s = 44.1, 88.2, 176.4, 352.8, 705.6 kHz	—	—	—	—
		PLL output jitter	j _{PLL_OUT}	—	500	—	ps _{RMS}
		PLL output period jitter	j _{PLL_OUT-PER}	—	—	500	ps
		PLL lock time	t _{PLL_LOCK}	—	0.3	1	ms

1. Note the REFCLK input frequency must be integer-related to the sample rate. See Section 4.4 for further details.

Table 3-11. Switching Specifications—Audio Serial Port (ASP)

Test conditions (unless specified otherwise): VDD_A = 3.3 V; VDD_D = 1.2 V (powered from internal LDO); Ground = GND = GND_A = GND_D = 0 V; voltages are with respect to ground; input timings are measured at V_{IL} and V_{IH} thresholds, output timings are measured at V_{OL} and V_{OH} thresholds for VDD_IO logic (as specified in Table 3-8); T_A = 25°C.

Parameter 1,2,3,4,5		Symbol	Minimum	Maximum	Unit	
Secondary Mode, VDD_IO = 3.3 V	ASP_FSYNC input sample/frame rate	F _s	32	768	kHz	
	ASP_FSYNC pulse width	t _{HI:FSYNC}	1/f _{ASP_BCLK}	—	ns	
	ASP_BCLK frequency	f _{BCLK}	2.048	24.576	MHz	
	ASP_BCLK high period	t _{HI:BCLK}	18	—	ns	
	ASP_BCLK low period	t _{LO:BCLK}	18	—	ns	
	ASP_FSYNC setup time before ASP_BCLK latching edge	t _{SU:FSYNC}	5	—	ns	
	ASP_FSYNC hold time after ASP_BCLK latching edge	t _{H:FSYNC}	5	—	ns	
	ASP_DOUT delay after ASP_BCLK launching edge	t _{D:BCLK-DOUT}	half-cycle mode, load = 50 pF	0	10	ns
	ASP_DOUT delay after ASP_BCLK launching edge		full-cycle mode, load = 150 pF	0	12	ns
	ASP_DOUT Hi-Z delay after ASP_BCLK latching edge	t _{DLY:HiZ}	half-cycle mode, load = 50 pF	0	9	ns
	ASP_DOUT Hi-Z delay after ASP_BCLK latching edge		full-cycle mode, load = 150 pF	0	9	ns
	ASP_DOUT delay from Hi-Z after ASP_BCLK launching edge	t _{DLY:EN}	half-cycle mode, load = 50 pF	0	10	ns
	ASP_DOUT delay from Hi-Z after ASP_BCLK launching edge		full-cycle mode, load = 150 pF	10	28	ns
ASP_x load capacitance	ASP_DOUTx	—	0	150	pF	
Primary Mode, VDD_IO = 3.3 V	ASP_FSYNC output sample/frame rate	F _s	32	768	kHz	
	ASP_BCLK frequency	f _{BCLK}	2.8224	24.576	MHz	
	ASP_BCLK duty cycle	D _{BCLK}	PLL enabled, MCLK duty cycle 40–60%	45	55	%
			PLL bypass, BCLK < 22.5792 MHz, MCLK 40–60%	45	55	%
			PLL bypass, BCLK ≥ 22.5792 MHz, MCLK 45–55%	42	58	%
			PLL bypass, BCLK ≥ 22.5792 MHz, MCLK 40–60%	37	63	%
	ASP_FSYNC delay time after ASP_BCLK launching edge	t _{D:BCLK-FSYNC}	0	20	ns	
	ASP_DOUT delay after ASP_BCLK launching edge	t _{D:BCLK-DOUT}	half-cycle mode, load = 50 pF	0	11	ns
	ASP_DOUT delay after ASP_BCLK launching edge		full-cycle mode, load = 150 pF	0	13	ns
	ASP_DOUT Hi-Z delay after ASP_BCLK latching edge	t _{DLY:HiZ}	half-cycle mode, load = 50 pF	0	10	ns
ASP_DOUT Hi-Z delay after ASP_BCLK latching edge	full-cycle mode, load = 150 pF		0	10	ns	
ASP_DOUT delay from Hi-Z after ASP_BCLK launching edge	t _{DLY:EN}	half-cycle mode, load = 50 pF	0	15	ns	
ASP_DOUT delay from Hi-Z after ASP_BCLK launching edge		full-cycle mode, load = 150 pF	7	28	ns	
ASP_x load capacitance	ASP_BCLK	—	0	50	pF	
	ASP_FSYNC		0	50	pF	
	ASP_DOUTx		0	150	pF	
Secondary Mode, VDD_IO = 1.8 V	ASP_FSYNC input sample/frame rate	F _s	32	768	kHz	
	ASP_FSYNC pulse width	t _{HI:FSYNC}	1/f _{ASP_BCLK}	—	ns	
	ASP_BCLK frequency	f _{BCLK}	2.048	24.576	MHz	
	ASP_BCLK high period	t _{HI:BCLK}	18	—	ns	
	ASP_BCLK low period	t _{LO:BCLK}	18	—	ns	
	ASP_FSYNC setup time before ASP_BCLK latching edge	t _{SU:FSYNC}	5	—	ns	
	ASP_FSYNC hold time after ASP_BCLK latching edge	t _{H:FSYNC}	5	—	ns	
	ASP_DOUT delay after ASP_BCLK launching edge	t _{D:BCLK-DOUT}	half-cycle mode, load = 50 pF	0	15	ns
	ASP_DOUT delay after ASP_BCLK launching edge		full-cycle mode, load = 150 pF	0	17	ns
	ASP_DOUT Hi-Z delay after ASP_BCLK latching edge	t _{DLY:HiZ}	half-cycle mode, load = 50 pF	0	12	ns
	ASP_DOUT Hi-Z delay after ASP_BCLK latching edge		full-cycle mode, load = 150 pF	0	12	ns
	ASP_DOUT delay from Hi-Z after ASP_BCLK launching edge	t _{DLY:EN}	half-cycle mode, load = 50 pF	0	15	ns
	ASP_DOUT delay from Hi-Z after ASP_BCLK launching edge		full-cycle mode, load = 150 pF	11	33	ns
ASP_x load capacitance	ASP_DOUTx	—	0	150	pF	

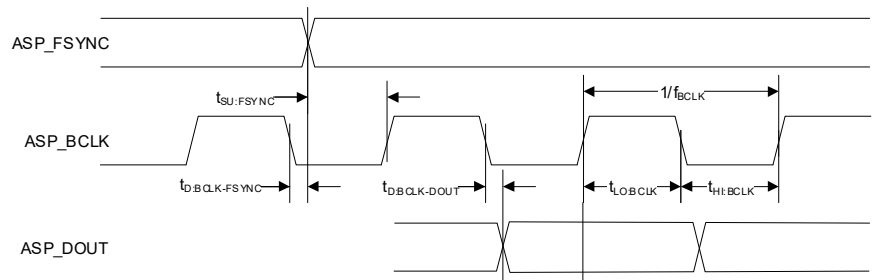
Table 3-11. Switching Specifications—Audio Serial Port (ASP) (Cont.)

Test conditions (unless specified otherwise): VDD_A = 3.3 V; VDD_D = 1.2 V (powered from internal LDO); Ground = GND = GND_A = GND_D = 0 V; voltages are with respect to ground; input timings are measured at V_{IL} and V_{IH} thresholds, output timings are measured at V_{OL} and V_{OH} thresholds for VDD_IO logic (as specified in Table 3-8); T_A = 25°C.

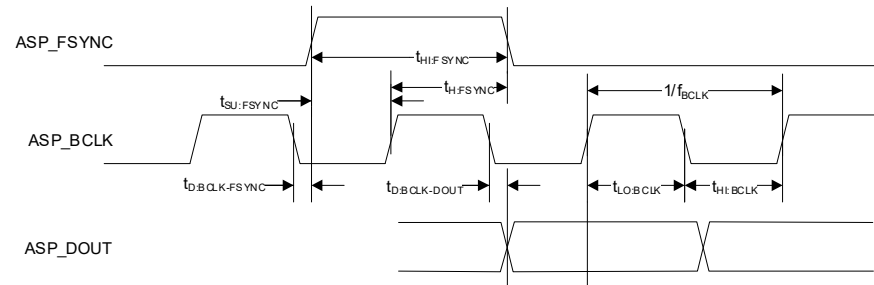
Parameter 1,2,3,4,5		Symbol	Minimum	Maximum	Unit	
Primary Mode, VDD_IO = 1.8 V	ASP_FSYNC output sample/frame rate	F _s	32	768	kHz	
	ASP_BCLK frequency	f _{BCLK}	2.8224	24.576	MHz	
	ASP_BCLK duty cycle	PLL enabled, MCLK duty cycle 40–60%	D _{BCLK}	45	55	%
		PLL bypass, BCLK < 22.5792 MHz, MCLK 40–60%		45	55	%
		PLL bypass, BCLK ≥ 22.5792 MHz, MCLK 45–55%		40	60	%
		PLL bypass, BCLK ≥ 22.5792 MHz, MCLK 40–60%		35	65	%
	ASP_FSYNC delay time after ASP_BCLK launching edge	t _{D:BCLK-FSYNC}	0	20	ns	
	ASP_DOUT delay after ASP_BCLK launching edge	half-cycle mode, load = 50 pF	t _{D:BCLK-DOUT}	0	16	ns
		full-cycle mode, load = 150 pF		0	18	ns
ASP_DOUT Hi-Z delay after ASP_BCLK latching edge	half-cycle mode, load = 50 pF	t _{DLY:HiZ}	0	13	ns	
	full-cycle mode, load = 150 pF		0	13	ns	
ASP_DOUT delay from Hi-Z after ASP_BCLK launching edge	half-cycle mode, load = 50 pF	t _{DLY:EN}	0	15	ns	
	full-cycle mode, load = 150 pF		7	34	ns	
ASP_x load capacitance	ASP_BCLK	—	0	50	pF	
	ASP_FSYNC	—	0	50	pF	
	ASP_DOUTx	—	0	150	pF	

1. The ASP_BCLK launching edge is selectable. Half-cycle mode = ASP_BCLK launching edge is opposite to latching edge. Full-cycle mode = ASP_BCLK launching edge is same as latching edge.

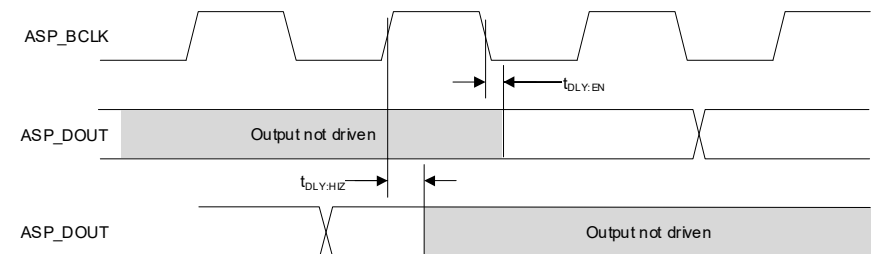
2. ASP timing in I²S and Left-Justified Modes
 Note that ASP_BCLK can be inverted if required; the figure shows the default polarity in half-cycle mode.



3. ASP timing in TDM Mode
 Note that ASP_BCLK can be inverted if required; the figure shows the default polarity in half-cycle mode.



4. ASP_DOUT timing for multiple devices sharing the audio serial port bus—half-cycle mode.



5. ASP_DOUT timing for multiple devices sharing the audio serial port bus—full-cycle mode.

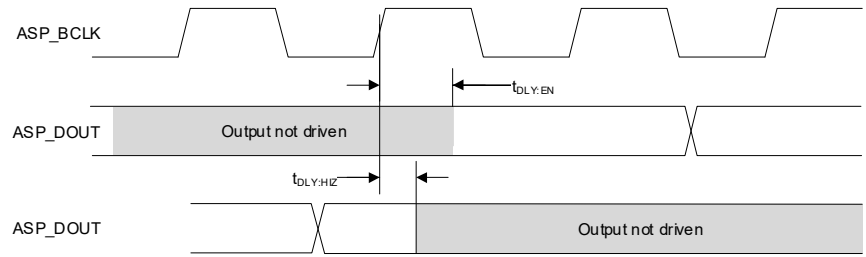


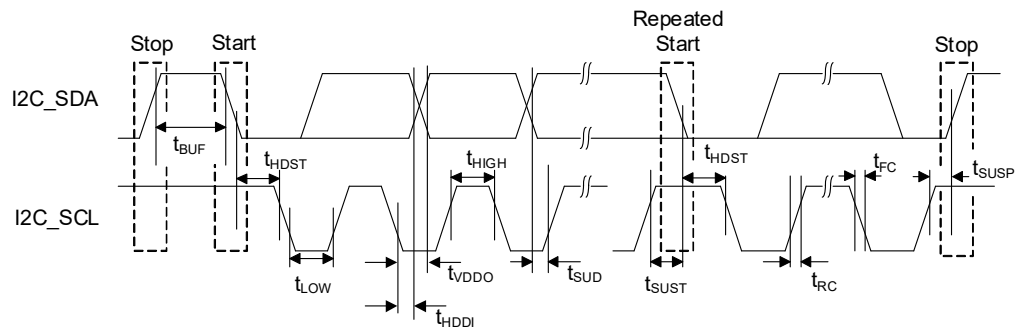
Table 3-12. Switching Specifications—I²C Control Port

Test conditions (unless specified otherwise): VDD_A = 3.3 V; VDD_IO = 1.71–3.63 V; VDD_D = 1.2 V (powered from internal LDO); Ground = GND = GND_A = GND_D = 0 V; voltages are with respect to ground; input timings are measured at V_{IL} and V_{IH} thresholds, output timings are measured at V_{OL} and V_{OH} thresholds for VDD_IO logic (as specified in Table 3-8); T_A = 25°C.

Parameter ^{1,2}	Symbol	Minimum	Maximum	Unit	
SCL clock frequency	f _{SCL}	—	1000	kHz	
Clock low time	t _{LOW}	500	—	ns	
Clock high time	t _{HIGH}	260	—	ns	
Start condition hold time (before first clock pulse)	t _{HDST}	260	—	ns	
Setup time for repeated start	t _{SUST}	260	—	ns	
Rise time of SCL and SDA	f _{SCL} ≤ 100 kHz	t _{RC}	600	1000	ns
	100 kHz < f _{SCL} ≤ 400 kHz		180	300	ns
	400 kHz < f _{SCL} ≤ 1000 kHz		72	120	ns
Fall time of SCL and SDA	f _{SCL} ≤ 100 kHz	t _{FC}	6.5	300	ns
	100 kHz < f _{SCL} ≤ 400 kHz		6.5	300	ns
	400 kHz < f _{SCL} ≤ 1000 kHz		6.5	120	ns
Rise time variation between SDA and SCL	—	—	1.67	x	
Fall time variation between SDA and SCL	f _{SCL} ≤ 100 kHz	—	—	100	ns
	100 kHz < f _{SCL} ≤ 400 kHz	—	—	100	ns
	400 kHz < f _{SCL} ≤ 1000 kHz	—	—	75	ns
Setup time for stop condition	t _{SUSP}	260	—	ns	
SDA setup time to SCL rising	t _{SUD}	50	—	ns	
SDA input hold time from SCL falling ³	t _{HDDI}	0	—	ns	
Output data valid (Data/ACK) ⁴	f _{SCL} ≤ 100 kHz	t _{VDDO}	—	3450	ns
	100 kHz < f _{SCL} ≤ 400 kHz		—	900	ns
	400 kHz < f _{SCL} ≤ 1000 kHz		—	450	ns
Bus free time between transmissions	t _{BUF}	500	—	ns	
SDA bus capacitance	C _B	—	550	pF	
SCL/SDA pull-up resistance	R _P	500	—	Ω	
Pulse width of spikes to be suppressed	t _{ps}	0	50	ns	

1. All timing is relative to thresholds specified in Table 3-8, V_{IL} and V_{IH} for input signals, and V_{OL} and V_{OH} for output signals.

2. I²C control-port timing.



3. Data must be held long enough to bridge the transition time, t_{FC}, of SCL.

4. Time from falling edge of SCL until data output is valid.

Table 3-13. Switching Specifications—SPI Control Port

Test conditions (unless specified otherwise): VDD_A = 3.3 V; VDD_IO = 1.71–3.63 V; VDD_D = 1.2 V (powered from internal LDO); Ground = GND = GND_A = GND_D = 0 V; voltages are with respect to ground; input timings are measured at V_{IL} and V_{IH} thresholds, output timings are measured at V_{OL} and V_{OH} thresholds for VDD_IO logic (as specified in Table 3-8); T_A = 25°C.

Parameter ¹	Symbol	Minimum	Maximum	Unit
SPI_SCK frequency	f _{SCY}	—	24	MHz
SPI_CS falling edge to SPI_SCK rising edge	t _{SSU}	5	—	ns
SPI_SCK falling edge to SPI_CS rising edge	t _{SHO}	0.5	—	ns
SPI_SCK pulse width low	t _{SCL}	18.5	—	ns
SPI_SCK pulse width high	t _{SCH}	18.5	—	ns
SPI_SDI to SPI_SCK setup time	t _{DSU}	5	—	ns
SPI_SDI to SPI_SCK hold time	t _{DHO}	2.5	—	ns
SPI_SCK falling edge to SPI_SDO transition	t _{DL}	0	15	ns
SPI_CS rising edge to SPI_SDO output high-Z	—	0	15	ns
Bus free time between active SPI_CS	t _{SH}	20	—	ns

1. SPI control-port timing.

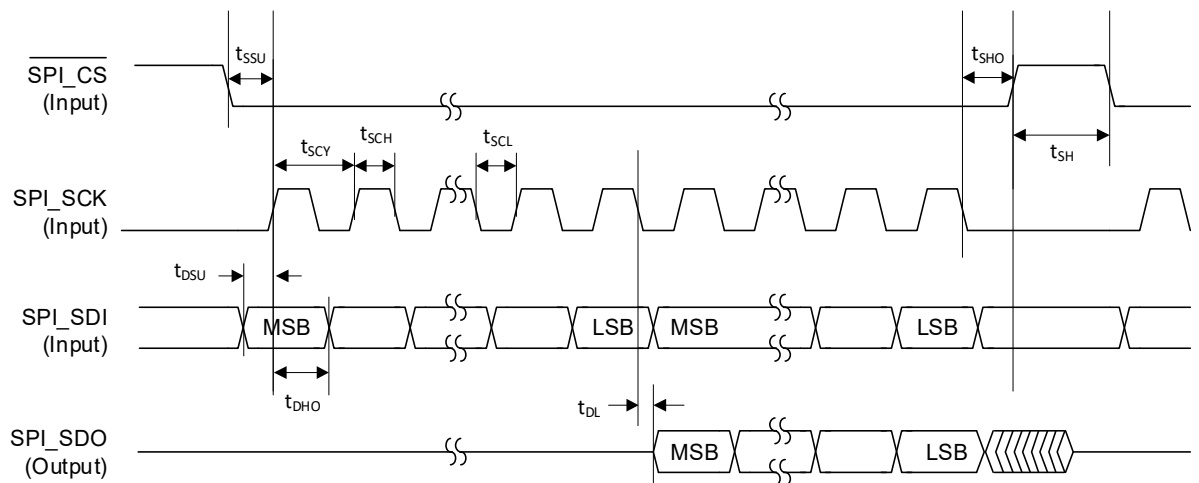
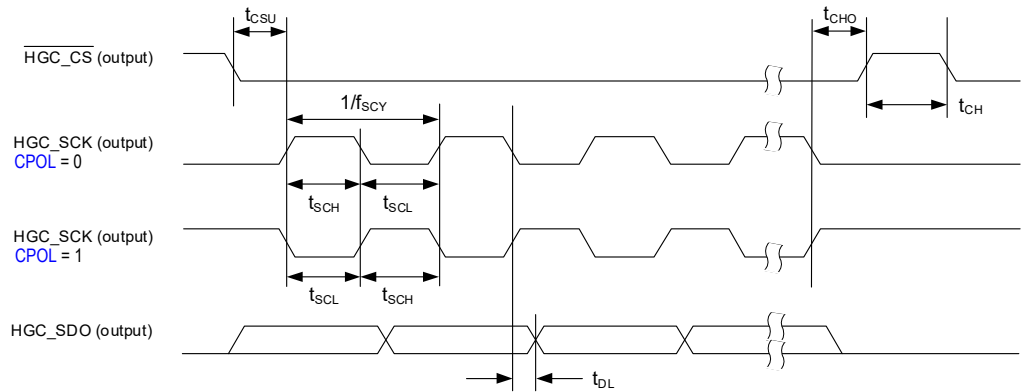


Table 3-14. Switching Specifications—SPI Controller (Hybrid Gain Control)

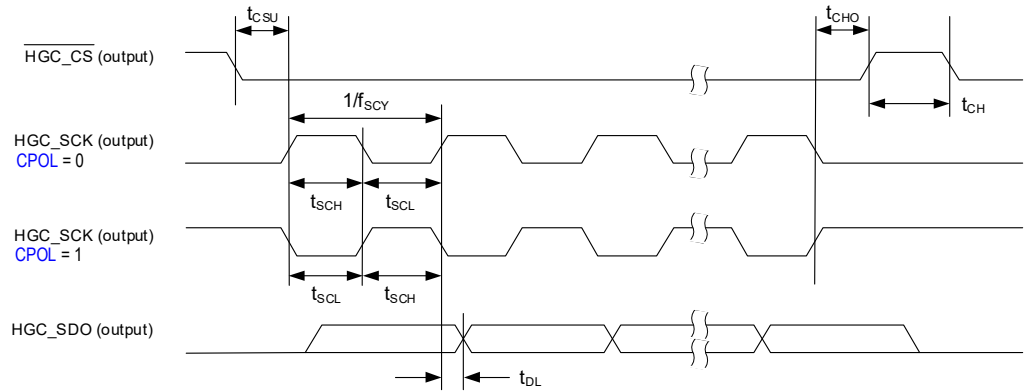
Test conditions (unless specified otherwise): VDD_A = VDD_IO = 3.3 V; VDD_D = 1.2 V (powered from internal LDO); Ground = GND = GND_A = GND_D = 0 V; voltages are with respect to ground; output timings are measured at V_{OL} and V_{OH} thresholds for VDD_A logic (as specified in Table 3-8); T_A = 25°C.

Parameter ^{1,2}	Symbol	Minimum	Maximum	Unit
HGC_SCK frequency	f _{SCY}	—	12.288	MHz
HGC_CS falling edge to HGC_SCK rising edge	t _{CSU}	30	—	ns
HGC_SCK falling edge to HGC_CS rising edge	t _{CHO}	30	—	ns
HGC_SCK pulse width low	t _{SCL}	40	—	ns
HGC_SCK pulse width high	t _{SCH}	40	—	ns
HGC_SCK falling edge to HGC_SDO transition	t _{DL}	-15	15	ns
		C _{LOAD} (HGC_SDO) = 30 pF		
		C _{LOAD} (HGC_SDO) = 60 pF		ns

1. SPI Controller timing, C_{PHA} = 0.



2. SPI Controller timing, C_{PHA} = 1.



4 Functional Description

4.1 Device Power and Reset

The CS5308P is powered using VDD_A1, VDD_A2, VDD_D, and VDD_IO external supplies.

Notes: The VDD_A1 and VDD_A2 rails should be tied together and powered from a single supply. The associated power domain is referred to as VDD_A.

The digital supply, VDD_D, is powered from an internal LDO regulator. The output of the LDO regulator is provided on the LDO_D_FILT pin—the VDD_D pin should be connected to LDO_D_FILT.

There are no power-sequencing requirements—supplies can be enabled in any order.

The CS5308P is in reset if the $\overline{\text{RESET}}$ pin is asserted (Logic 0), or if the VDD_A or VDD_D supply is below the respective reset threshold defined in [Table 3-9](#).

All ground pins, including the ground paddle, must be tied to a common ground plane directly underneath the CS5308P.

4.2 Hardware Configuration

The CS5308P supports hardware and software control modes. In hardware mode, the device configuration is determined entirely by external resistors connected to the hardware-control pins. In software mode, the I²C/SPI control port is used to configure the device.

In hardware mode, the audio serial port (ASP) configuration is selected using the CONFIG1 and CONFIG2 pins as described in [Table 4-1](#). See [Section 4.4](#) for more details of the sample-rate selection. See [Section 4.7](#) for more details of the ASP operation.

Table 4-1. Hardware Control—ASP Configuration

Pin Name	Pin Configuration		Description
CONFIG1	Pull-up to VDD_A	0 Ω	Software control mode (I ² C/SPI)
		4.7 kΩ	ASP Primary Mode, 44.1 kHz, 48 kHz sample rate
		22 kΩ	ASP Primary Mode, 88.2 kHz, 96 kHz sample rate
		100 kΩ	ASP Primary Mode, 176.4 kHz, 192 kHz sample rate
	Pull-down to GND_A	100 kΩ	ASP Secondary Mode, 176.4 kHz, 192 kHz sample rate
		22 kΩ	ASP Secondary Mode, 88.2 kHz, 96 kHz sample rate
		4.7 kΩ	ASP Secondary Mode, 44.1 kHz, 48 kHz sample rate
		0 Ω	ASP Secondary Mode, autodetect sample rate ^{1,2}
CONFIG2	Pull-up to VDD_A	0 Ω	ASP TDM Mode—minimum time slots ³
		4.7 kΩ	ASP TDM Mode—maximum time slots ⁴ , data output on BCLK falling edge (half-cycle mode) ⁵
		22 kΩ	ASP TDM Mode—maximum time slots ⁴ , data output on BCLK rising edge (full-cycle mode) ⁶
		100 kΩ	—
	Pull-down to GND_A	100 kΩ	—
		22 kΩ	—
		4.7 kΩ	ASP Left-Justified Mode
		0 Ω	ASP I ² S Mode

1. Valid sample rates for autodetect are 32, 44.1, 48, 88.2, 96, 176.4, and 192 kHz.

2. Autodetect sample rate is only supported in MCLK = 256 fs(base) or MCLK = 512 fs(base) clocking configurations (see [Table 4-3](#)).

3. The ASP data format is configured to support the minimum number of time slots necessary for the 8-channel CS5308P output.

4. The ASP data format is configured to support the maximum number of time slots for the applicable BCLK rate.

5. Half-cycle mode = ASP_DOUT launching edge (BCLK falling) is opposite to the receiving-device latching edge (BCLK rising).

6. Full-cycle mode = ASP_DOUT launching edge (BCLK rising) is same as the receiving-device latching edge.

If the ASP is configured for TDM data format with maximum time slots, the TDM slot selection is determined using the CONFIG3 pin as described in [Table 4-2](#). See [Section 4.7](#) for more details of the ASP TDM modes.

Table 4-2. Hardware Control—TDM Slot Selection

Pin Name	Pin Configuration		Description
CONFIG3	Pull-up to VDD_A	0 Ω	Slots 8–15 [1]
		4.7 kΩ	
		22 kΩ	
		100 kΩ	
	Pull-down to GND_A	100 kΩ	Slots 0–7
		22 kΩ	
		4.7 kΩ	
		0 Ω	

1. Slots 8–15 are only valid in 16-slot TDM Mode.

The clock-reference and ASP channel-ordering configuration is determined using the CONFIG4 pin as described in [Table 4-3](#). See [Section 4.4](#) for more details of the CS5308P clocking architecture. See [Section 4.7.5](#) for more details of the ASP reverse channel-order option.

Table 4-3. Hardware Control—Clocking Configuration

Pin Name	Pin Configuration		Clock Reference 1,2,3,4	PLL	Channel Order
CONFIG4	Pull-up to VDD_A	0 Ω	BCLK = 64 fs	Enabled	Default
		4.7 kΩ	MCLK = 512 fs(base)	Bypass	Default
		22 kΩ	MCLK = 256 fs(base)	Enabled	Default
		100 kΩ	MCLK = 512 fs(base)	Enabled	Default
	Pull-down to GND_A	100 kΩ	MCLK = 512 fs(base)	Enabled	Reversed
		22 kΩ	MCLK = 256 fs(base)	Enabled	Reversed
		4.7 kΩ	MCLK = 512 fs(base)	Bypass	Reversed
		0 Ω	BCLK = 64 fs	Enabled	Reversed

1. fs = sample rate, 44.1, 48, 88.2, 96, 176.4, or 192 kHz.

2. fs(base) is the base sample rate. fs(base) = 48 kHz for 48 kHz-related sample rates; fs(base) = 44.1 kHz for 44.1 kHz-related sample rates.

3. BCLK 64 fs configuration is only supported in ASP Secondary Mode.

4. Autodetect sample rate (see [Table 4-1](#)) is only supported in MCLK = 256 fs(base) or MCLK = 512 fs(base) clocking configurations.

In hardware mode, the digital filter selection is determined using the CONFIG5 pin as described in [Table 4-4](#). See [Section 4.6](#) for more details of the digital filters.

Table 4-4. Hardware Control—Digital Filter Selection

Pin Name	Pin Configuration		Description
CONFIG5	Pull-up to VDD_A	0 Ω	Minimum phase, slow roll-off, HPF bypass
		4.7 kΩ	Minimum phase, fast roll-off, HPF bypass
		22 kΩ	Linear phase, slow roll-off, HPF bypass
		100 kΩ	Linear phase, fast roll-off, HPF bypass
	Pull-down to GND_A	100 kΩ	Linear phase, fast roll-off, HPF enabled
		22 kΩ	Linear phase, slow roll-off, HPF enabled
		4.7 kΩ	Minimum phase, fast roll-off, HPF enabled
		0 Ω	Minimum phase, slow roll-off, HPF enabled

In hardware mode, the device configuration is latched when reset is released (either power-on reset or deassertion of the $\overline{\text{RESET}}$ pin). In hardware mode, the configuration cannot be changed while the device is operational. To update the device configuration, the $\overline{\text{RESET}}$ pin must be asserted (Logic 0), or the device power cycled, in order to read new settings on the CONFIGx pins.

If software mode is selected (i.e., CONFIG1 is connected to VDD_A), the ASP configuration and digital-filter selection are controlled by register writes via the applicable control interface. Unused CONFIGx pins should be terminated as described in [Section 1.3](#).

Notes: In software mode, the CONFIG2, CONFIG3, and CONFIG4 pins can optionally be used to support the hybrid gain control function (see [Section 4.5.4](#)).

In software mode, the CONFIG5 pin is used to select the I²C target address (see [Section 4.8](#)). If the SPI control interface is used, it is recommended to connect the CONFIG5 pin to GND.

4.3 Software Configuration

Software control mode is enabled if the CONFIG1 pin is connected to VDD_A. In software control mode, the CS5308P is configured by writing to control registers using the control port.

The control port supports I²C and SPI modes of operation; the applicable mode is detected automatically on the respective interface pins. In I²C mode, the target address is selectable using the CONFIG5 pin. See [Section 4.8](#) for further details of the I²C/SPI control port.

In software control mode, **GLOBAL_EN** is used as the global control field for enabling/disabling the CS5308P functions. The device should be configured using the applicable control registers before setting **GLOBAL_EN**.

Note: The clocking ([Section 4.4](#)) and ASP ([Section 4.7](#)) control registers are only valid on the rising edge of **GLOBAL_EN**. Writing to these registers has no effect at any other time. It is recommended to select the disabled state (**GLOBAL_EN** = 0) before writing to these registers.

A reset of the CS5308P can be triggered by writing 0x5A to the **SW_RESET** field. A software reset disables all functions and sets the control registers to their default states.

4.4 System Clocking

Clocking for the CS5308P is provided from the ASP interface (BCLK) or else using the dedicated MCLK input.

The integrated PLL can be used to generate the internal system clock from the external reference. The MCLK signal can be used as a direct clock reference, bypassing the PLL. If BCLK is selected as the clock reference, the PLL is always used and cannot be bypassed.

In ASP Secondary Mode, the FSYNC input is used to control the ADC sample timing, enabling multiple CS5308P devices to operate synchronously in a system. See [Section 4.7](#) for more details of the ASP.

The clocking architecture is illustrated in [Fig. 4-1](#).

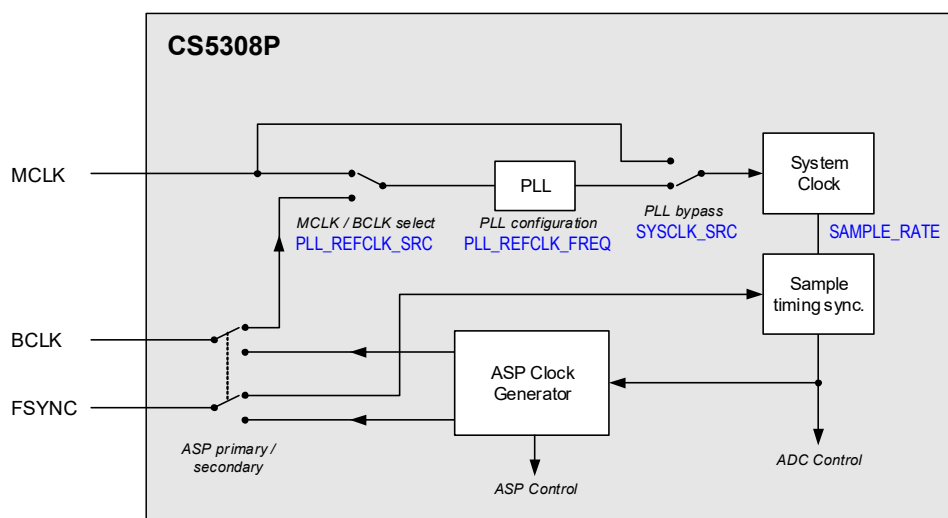


Figure 4-1. System Clocking

4.4.1 Hardware Control Mode

In hardware control mode, the clocking configuration is determined by the CONFIG4 pin (see [Section 4.2](#)). Four possible clocking configurations are supported as follows:

- BCLK reference—64 fs, PLL enabled
- MCLK reference—512 fs(base), PLL bypass
- MCLK reference—256 fs(base), PLL enabled
- MCLK reference—512 fs(base), PLL enabled

The clocking configuration is defined with reference to the sample rate (fs). Note that fs(base) is the *base sample rate*; fs(base) = 48 kHz for 48 kHz-related sample rates, fs(base) = 44.1 kHz for 44.1 kHz-related sample rates.

The sample rate is selected using the CONFIG1 pin as described in [Section 4.2](#). Sample rates 44.1 kHz–192 kHz can be configured, or else the autodetect option (32 kHz–192 kHz) automatically configures the device according to the ASP interface clock signals. Note the autodetect sample-rate option is only valid if the clock reference source is MCLK (with or without PLL) and the ASP is operating in Secondary Mode (see [Section 4.7](#)).

The BCLK 64 fs configuration enables the CS5308P to be clocked from the audio serial port (ASP) operating in Secondary Mode, with no requirement for any other clock reference. Note that, in the BCLK 64 fs clocking configuration, the ASP data format must be either I²S or left-justified.

The MCLK-referenced configurations use a fixed clock frequency of 12.288 / 24.576 MHz (for 48 kHz-related sample rates), or 11.2896 / 22.5792 MHz (for 44.1 kHz-related sample rates).

The supported clocking configurations are summarized in [Table 4-5](#).

Table 4-5. System Clock Configuration

Description	PLL Select	Reference Source	Reference Frequency	ASP Operating Conditions ¹
BCLK = 64 fs	Enabled	BCLK	64 × sample rate	Secondary Mode only, I ² S or left-justified data formats, sample rates 44.1–192 kHz, sample-rate autodetect not supported.
MCLK = 512 fs(base)	Bypass	MCLK	24.576 MHz or 22.5792 MHz	Primary or Secondary Mode, I ² S, left-justified, or TDM data formats, sample rates 32–192 kHz, sample-rate autodetect supported.
MCLK = 256 fs(base)	Enabled	MCLK	12.288 MHz or 11.2896 MHz	
MCLK = 512 fs(base)	Enabled	MCLK	24.576 MHz or 22.5792 MHz	

1. See [Section 4.7](#) for details of the audio serial port (ASP).

The sample rate must be related to the system clock reference as described in [Table 4-6](#).

Table 4-6. Sample Rate Options

Reference Source	Clocking Configuration	Reference Frequency (MHz)	Sample Rate (kHz)
BCLK	BCLK = 64 fs	2.8224	44.1
		5.6448	88.2
		11.2896	176.4
		3.072	48
		6.144	96
		12.288	192
MCLK	MCLK = 256 fs(base)	11.2896	44.1, 88.2, 176.4
		12.288	32, 48, 96, 192
	MCLK = 512 fs(base)	22.5792	44.1, 88.2, 176.4
		24.576	32, 48, 96, 192

Note that, if MCLK is configured as the clock source (with or without PLL) and the ASP is configured in Secondary Mode, the external clocks (MCLK, BCLK, and FSYNC) must be derived from a common clock source. The clocks must be synchronized, but the phase difference is not important.

4.4.2 Software Control Mode

In software (I²C/SPI) control mode, the clocking configuration is selected using the following control fields:

- The sample rate is configured using [SAMPLE_RATE](#). Sample rates 32 kHz–768 kHz can be configured, or else the autodetect option automatically configures the device according to the ASP interface clock signals. The sample rate must be related to the system clock reference as described in [Table 4-8](#).

Note that the sample-rate autodetect option is only valid if all the following conditions are met:

- Sample rate is 32 kHz–192 kHz
- The clock reference source is MCLK (with or without PLL)
- ASP is operating in Secondary Mode (see [Section 4.7](#))
- The system clock source is selected using [SYSCLK_SRC](#). The clock source can be either MCLK or the output from the PLL. If MCLK is selected (i.e., PLL bypass), the MCLK frequency must be 24.576 MHz (for 48 kHz-related sample rates) or 22.5792 MHz (for 44.1 kHz-related sample rates).
- The input reference to the PLL is selected using [PLL_REFCLK_SRC](#). The reference can be either MCLK or BCLK. Note the BCLK reference is only valid if the ASP is operating in Secondary Mode.
- The frequency of the PLL input reference is configured using [PLL_REFCLK_FREQ](#).

The supported clocking configurations are summarized in [Table 4-7](#).

Table 4-7. System Clock Configuration

SYSCLK_SRC	PLL_REFCLK_SRC	Description	Reference Frequency	Sample Rate Autodetect Supported
0	X	MCLK reference, PLL bypass	24.576 MHz or 22.5792 MHz	Yes
1	1	MCLK reference, PLL enabled	Configured by PLL_REFCLK_FREQ	Yes
1	0	BCLK reference, PLL enabled		No

The sample rate must be related to the system clock reference as described in [Table 4-8](#).

Table 4-8. Sample Rate Options

Reference Frequency (MHz)	PLL_REFCLK_FREQ	Sample Rate (kHz) ^{1,2}
2.8224	00	44.1, 88.2, 176.4, 352.8, 705.6
5.6448	01	
11.2896	10	
22.5792	11	
3.072	00	32, 48, 96, 192, 384, 768
6.144	01	
12.288	10	
24.576	11	

1. Sample rate is configured using [SAMPLE_RATE](#).

2. Sample rates 705.6 kHz and 768 kHz are supported for a maximum of four channels only (i.e., with input channels summed as described in [Section 4.5.5](#)).

Note that, if MCLK is configured as the clock source (with or without PLL) and the ASP is configured in Secondary Mode, the external clocks (MCLK, BCLK, and FSYNC) must be derived from a common clock source. The clocks must be synchronized, but the phase difference is not important.

4.5 ADC and Analog Input

The CS5308P supports eight analog input channels, each incorporating a high-performance sigma-delta analog-to-digital converter (ADC). Digital volume and mute control is provided on each input channel.

Note that the digital volume and mute controls are supported in software (I²C/SPI) control mode only. In hardware control mode, all channels are enabled with 0 dB gain.

4.5.1 ADC Path Enable

The analog input and ADC paths are enabled using [INx_ADC_EN](#) (where x indicates the channel number 1–8).

Note: For each pair of ADC input paths (1–2, 3–4, 5–6, or 7–8) both paths must always be configured in the same state (enabled or disabled). For example, input path 1 should not be enabled without also enabling input path 2.

The polarity of the ADC output can be inverted using [INx_INV](#) for the respective channel.

The CS5308P supports selectable impedance on the input pins. The mid-impedance option is configured by default. The input pins can be configured high impedance by setting [IN12_HIZ](#), [IN34_HIZ](#), [IN56_HIZ](#), or [IN78_HIZ](#). Each control bit configures a pair of input channels. Note that power consumption is increased in the high-impedance configuration.

4.5.2 Digital Volume and Mute

The ADC signal path incorporates a digital volume control, supporting a gain range of –127.5 dB to 0 dB in 0.5 dB steps. Volume ramping and digital mute is also supported.

The digital volume is configured using [INx_VOL](#) for the respective input channel. The digital mute is enabled by setting [INx_MUTE](#).

Writing to the volume or mute fields has no effect on the signal path until a 1 is written to [IN_VU](#). Writing 1 to [IN_VU](#) causes the volume and mute settings to be updated on all input paths simultaneously.

When the volume or mute is changed, the gain of the affected signal paths is ramped up or down to the new setting. For increasing gain, the rate is controlled by [IN_RAMP_RATE_INC](#); for decreasing gain, the rate is controlled by [IN_RAMP_RATE_DEC](#).

Note: The [IN_RAMP_RATE_INC](#) and [IN_RAMP_RATE_DEC](#) fields should not be changed while a volume ramp is in progress.

4.5.3 Input Clip Warning

The CS5308P provides a clip-warning function on the ADC input paths; this can be used to provide a warning of large or clipped signal levels. The clip warning is indicated using latching status bits, and can also be configured as a logic output on a hardware pin.

The clip-warning threshold level is configured using [IN_CLIP_THRESH](#). The selected level applies to all input paths.

If an input signal exceeds the clip-warning threshold, the [INx_CLIP_WARN](#) bit is set (where x indicates the channel number 1–8). These bits are latching fields which, once set, remain set until a 1 is written to the respective bits. These bits can be polled at any time or in response to the logic output signal being asserted.

The clip-warning status can be configured as a logic output on a hardware pin. This is supported on different pins by setting the applicable control bit shown in [Table 4-9](#).

The logic output is active low, i.e., Logic 0 if the clip-warning threshold is exceeded on any input path. The logic output can be either CMOS driven or open drain; this is selected using [CLIP_OP_CFG](#).

Table 4-9. Clip Warning Output

Pin Name	Power Supply 1	Output Enable	Notes
CONFIG4	VDD_A	CONFIG4_CLIP_EN	Clip-warning output is not supported if hybrid gain control (see Section 4.5.4) is used.
CONFIG3	VDD_IO	CONFIG3_CLIP_EN	
CONFIG2	VDD_IO	CONFIG2_CLIP_EN	
SPI_CS	VDD_IO	SPI_CS_CLIP_EN	Clip-warning output is not supported if the SPI control port (see Section 4.8.2) is used.
ASP_DOUT4	VDD_IO	ASP_DOUT4_CLIP_EN	Clip-warning output is not supported if the ASP (see Section 4.7) is configured for 705.6 kHz or 768 kHz sample rate.
ASP_DOUT3	VDD_IO	ASP_DOUT3_CLIP_EN	
ASP_DOUT2	VDD_IO	ASP_DOUT2_CLIP_EN	

1. The digital I/O logic levels for each pin are defined with respect to the applicable power supply. See [Table 3-8](#) for details.

4.5.4 Hybrid Gain Control (HGC)

The CS5308P provides the capability to control an external preamplifier (or PGA) associated with the ADC input path. The combination of internal and external gain can be used to optimize the dynamic range of the signal path across a wide range of signal levels.

In typical applications, separate gain stages are provided for analog and digital control of the signal path. The analog stage provides a coarse gain control; the digital stage enables fine adjustment. The CS5308P enables external (analog) and internal (digital) gain adjustments to be fully synchronized across the combined gain range.

A configurable transient-masking function is integrated with the gain-control circuits; this enables seamless gain adjustment by actively suppressing the switching transients often associated with the analog gain selection.

The external PGA is controlled by the CS5308P using a serial interface implemented on the CONFIG pins as shown in Fig. 4-2. Multiple PGAs can be independently controlled in a daisy-chain configuration.

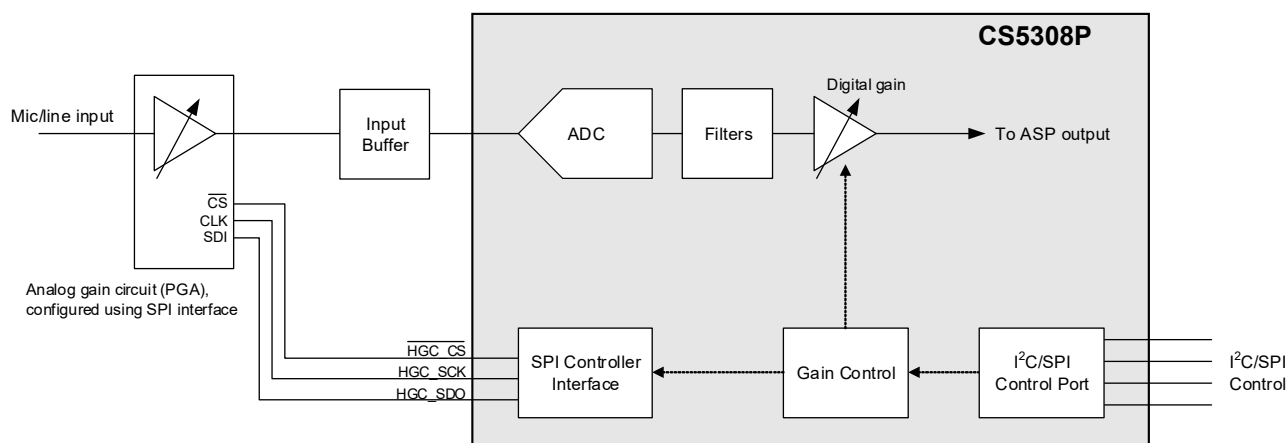


Figure 4-2. Hybrid Gain Control

To configure the signal path, the host processor writes control data to the CS5308P, which then forwards the data to the external PGAs using the serial interface. Zero-cross detection is used to synchronize the PGA configuration with the input signal and with the CS5308P digital volume control, ensuring seamless operation across the combined gain range.

Volume ramping is supported on the internal digital volume (see Section 4.5.2); the volume ramp is coordinated with the external PGA control, enabling smooth transitions across the full range of the internal and external gain selections.

The SPI controller interface can also be used to control auxiliary functions associated with the analog input path (e.g., high-pass filter, pad, or phantom power) using a port expander or similar external IC.

4.5.4.1 SPI Controller Interface Configuration

The SPI controller interface is supported using the CONFIG2, CONFIG3, and CONFIG4 pins, which must be configured for the SPI function if required. The SPI function is enabled using `HGC_SPI_EN`. The interface comprises three connections as follows:

- CONFIG2/HGC_SCK = Clock output
- CONFIG3/HGC_SDO = Data output
- CONFIG4/HGC_CS = Chip select (\overline{CS}), active low

Note: The SPI interface connections are powered by VDD_A. The digital I/O levels for these pins are referenced to nominal 3.3 V logic (see Table 3-8).

The CS5308P configures the analog gain circuits using a bit pattern which is transmitted to each of the connected devices in a daisy-chain manner. The bit pattern is shifted through each of the connected devices, allowing each device to be individually controlled via a shared data interface.

The SPI interface is fully configurable and flexible to support a wide variety of external gain-control implementations. The SPI data definition is not fixed on the CS5308P; the SPI data can be configured to support whatever bit patterns are required in the specific application.

The number of bits associated with each connected device is configured using the `CHx_BIT_PATT_LENGTH` field for the respective audio channel. This field should be set to 0 for any audio channel where there is no associated device to be controlled.

A maximum of two auxiliary devices can also be controlled (e.g., for high-pass filter, pad, or phantom-power selection). The number of bits associated with the auxiliary devices is configured using the respective `AUXx_BIT_PATT_LENGTH` field. This field should be set to 0 if there is no associated device to be controlled.

Typical connections are shown in Fig. 4-3. Note the CS5308P transmits the bit patterns in the sequence AUX2, AUX1, ..., CH8, CH2, CH1. The daisy-chain wiring of the external devices must be in the order shown in Fig. 4-3, to ensure each device is configured with its corresponding bit pattern.

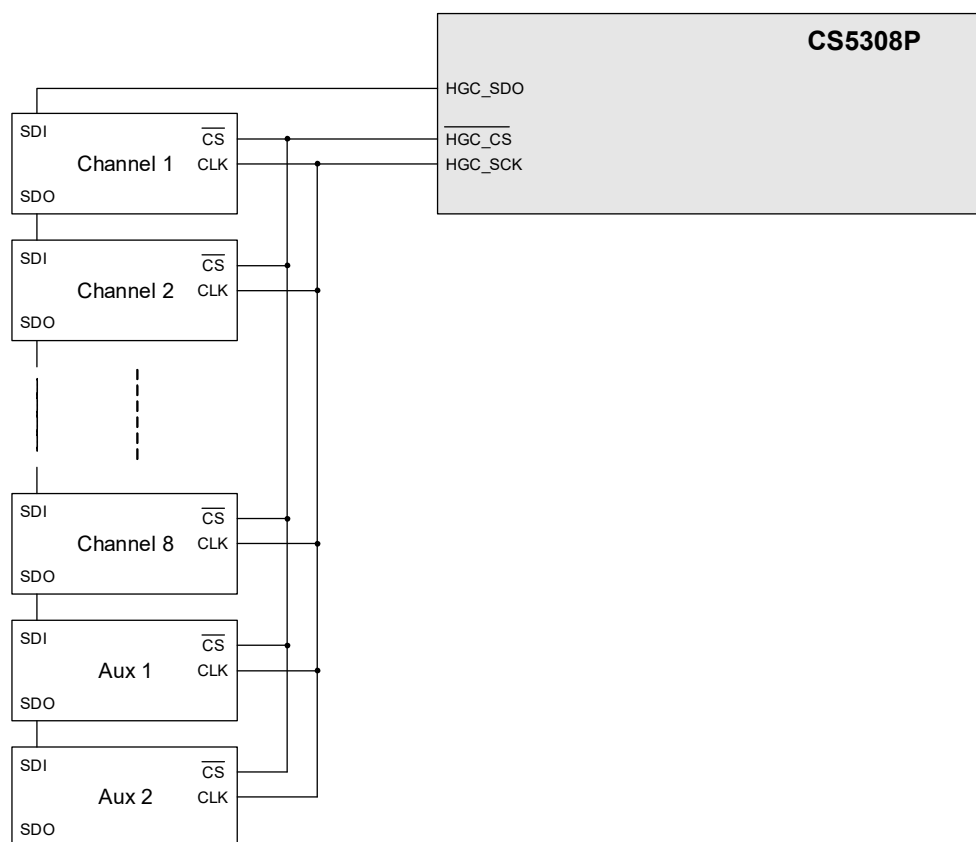


Figure 4-3. Hybrid Gain Interface Connections

The SPI controller is configurable to support different timing and signal-polarity options. The `CPOL` bit controls the polarity of the clock output; the `CPHA` bit controls which phase of the clock cycle the data output is valid. See Table 3-14 for timing specifications.

The SPI clock rate is derived as an integer division of the system clock frequency (24.576 MHz for 48 kHz-related sample rates, or 22.5792 MHz for 44.1 kHz-related sample rates). The SPI clock rate is configured using `SCK_DIV`. The fastest SPI clock rate is 12.288 MHz or 11.2896 MHz, depending on sample rate. Slower clock rates can be used to ensure correct timing of the bus signals in applications where a large load capacitance is connected to the SPI outputs.

The minimum idle period between SPI transactions is configured using `CS_IDLE_DUR`. The delay between the falling `CS` edge and the first SCK edge is configured using `CS_FALL_DELAY`. The minimum delay between the last SCK edge and the rising `CS` edge is configured using `CS_RISE_DELAY`.

Note that, in normal operation, the timing of the rising \overline{CS} edge is controlled by the zero-cross detection; the [CS_RISE_DELAY](#) field determines the minimum delay.

The \overline{CS} output is asserted low at the start of each SPI transaction; the SPI controller then transmits the bit patterns for as many audio/aux channels as are configured with a non-zero bit-pattern length. After all the bit patterns have been transmitted, \overline{CS} is set high to complete the transaction (see [Section 4.5.4.2](#) for further details on timing).

4.5.4.2 Gain Control Optimization

The CS5308P provides tunable parameters to minimize any audible artifacts when changing the gain configuration.

After a bit pattern has been clocked out to configure the analog gain circuits, the CS5308P waits for a zero-cross detection in the affected audio channel before completing the SPI transaction by deasserting the \overline{CS} signal. This ensures the gain change is aligned with the zero crossing, on the assumption that deasserting the \overline{CS} (Logic 1) causes the new gain setting to be applied immediately in the external circuit. A timeout for zero-cross detection is configured using [ZC_TIMEOUT](#).

The digital gain for each signal path is controlled internally to the CS5308P. After the analog gain is updated, a delay is applied before updating the digital gain. The delay is used to account for the time difference between the analog gain being updated and the change in signal level reaching the gain-control block. The delay, configured using [DIG_VOL_DELAY](#), is used to align the analog and digital gain updates in the audio stream.

The [DIG_VOL_DELAY](#) field should be set equal to the sum of the external path delay (analog gain circuit + input buffer) and the ADC filter group delay. The ADC filter characteristics are specified in [Table 3-5](#). The combined delay should be rounded down for the purposes of selecting the nearest [DIG_VOL_DELAY](#) option.

A transient-masking function is also available; this is enabled using [TM_EN](#). If enabled, the CS5308P repeats one audio sample for the duration of the transient period, masking the artifact arising from the gain change.

The [TM_DELAY](#) field defines the time from the analog gain update to the onset of the transient masking. The duration of the masking is configured using [TM_HOLD_TIME](#).

Transient masking is most effective on low-amplitude signals and is not recommended for larger signals. The CS5308P incorporates a level detector to selectively determine whether the masking should be applied. The transient-masking level detector is enabled on each audio channel using the respective [CHx_TM_LD_EN](#) bit. The level detector calculates the signal level using an exponential moving average (EMA) function; the time constant is configurable using [TM_LD_TIME](#).

If the level detector is enabled, the threshold for transient masking is configured using [TM_LD_THRESH](#)—masking is applied if the signal level is below the threshold. If the level detector is disabled, transient masking is applied regardless of the signal level.

4.5.4.3 Audio Channel Gain Control

The host processor configures the analog and digital gain for each audio channel by writing to the respective [CHx_ANA_VOL](#) and [CHx_DIG_VOL](#) fields. The host also writes the [CHx_BIT_PATT](#) fields to provide the bit pattern to configure the external device for the required analog gain.

Note: The bit pattern is a maximum of 32 bits (the size is configured using [CHx_BIT_PATT_LENGTH](#)). If the bit pattern is 16 bits or less, it is stored in the [CHx_BIT_PATT_1](#) field. The MSB represents the first-transmitted bit of the pattern; one or more of the LSBs may be unused, depending on the size of the bit pattern. If the bit pattern is more than 16 bits, the remaining bits are stored in [CHx_BIT_PATT_0](#).

The analog and digital gain settings do not become effective immediately on updating the control fields. Writing 1 to [CHx_UPDATE](#) indicates the settings for the respective audio channel have been updated and are ready to be applied; the CS5308P services each updated channel in turn and applies the respective gain settings at the earliest opportunity. Note that the exact timing varies, dependent on the zero-cross detection for each affected channel.

The [BUSY_STS](#) bit, if set, indicates that gain updates are pending for one or more audio channels (i.e., gain settings have been written to the CS5308P, but not yet applied to the respective audio paths). The bit is cleared automatically when all updates have been applied to the respective channels.

Note that the gain settings and bit patterns for each audio channel can be written at any time, regardless of whether an earlier update is currently pending for that channel.

If ADC input summing is enabled (see [Section 4.5.5](#)), the combined paths are configured using the control registers associated with the lowest-numbered ADC in the group. For example, the ADC3+ADC4 group is configured using the IN3/ADC3 control registers. The SPI-controlled gain function is only supported for the lowest-numbered ADC in the group; the bit pattern length ([CHx_BIT_PATT_LENGTH](#)) must be set to 0 for all other input channels in each group.

If an audio channel is enabled, but does not have any associated SPI-controlled external gain circuit, the analog gain and digital gain for the respective channel must be maintained at 0 dB (default).

For efficiency of the host-processor interactions, the [CHx_BIT_PATT](#), [CHx_ANA_VOL](#), and [CHx_DIG_VOL](#) fields can be written as a contiguous block (i.e., one auto-incrementing I²C/SPI write operation). The [CHx_UPDATE](#) bit can be set in the same I²C/SPI operation as writing to the corresponding [CHx_DIG_VOL](#).

Note: If [CHx_UPDATE](#) is written 0 when updating the volume/bit-pattern fields, the settings are latched internally but the updates are not applied to the audio path and do not cause the [BUSY_STS](#) bit to be set. Writing 0 to [CHx_UPDATE](#) is used in the initialization steps described in [Section 4.5.4.6](#). The hybrid gain control must be initialized as described in [Section 4.5.4.6](#) before writing 1 to any of the [CHx_UPDATE](#) bits.

4.5.4.4 Gain Ramping Control

The CS5308P supports independent control of the analog (coarse) and digital (fine) gain stages of the input path. When the digital gain is updated, the gain is ramped up or down to the new value; the ramp rate is configurable as described in [Section 4.5.2](#). When the analog gain is updated, the CS5308P uses the digital gain to provide a ramped response, masking the larger step size of the analog gain.

For example, if the analog gain is increased by 3 dB, the gain step is initially canceled out by decreasing the digital gain by -3 dB. Following this, the digital gain is smoothly ramped up by 3 dB to give the desired overall gain.

Note there is no restriction on whether the analog, digital, or both gains are updated in the same operation—the gain ramping is supported for all combinations.

The gain ramping is illustrated in [Fig. 4-4](#). In the example shown, the analog gain is updated from 0 dB to 3 dB. The digital gain is updated from 2 dB to 1 dB. The digital gain is initially set to -1 dB and then ramped to give a smooth transition from 2 dB to 4 dB in the overall (analog + digital) response.

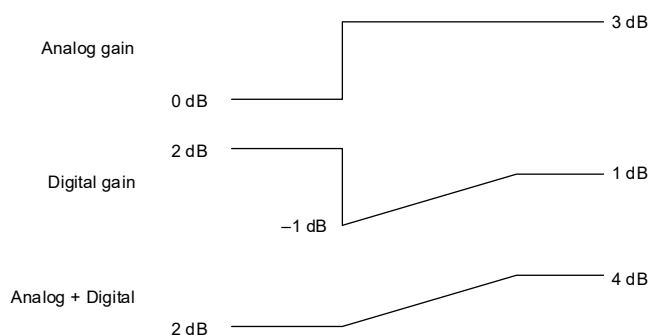


Figure 4-4. Gain Ramping

The gain ramping is configurable using [STEP_RAMP_EN](#). If this bit is set (default), the CS5308P uses a step change in the digital gain to mask the analog gain steps. If this bit is clear, there is no masking of the analog gain steps.

Note: If gain ramping is enabled ([STEP_RAMP_EN](#) = 1), the volume increasing/decreasing ramp rates must be set to nonzero values. See [Section 4.5.2](#) to configure the volume ramp rates.

4.5.4.5 Auxiliary Device Control

The host processor configures the auxiliary devices by writing to the respective `AUXx_BIT_PATT` fields. Each field contains the bit pattern to configure the respective external device as required.

Note: The bit pattern is a maximum of 32 bits (the size is configured using `AUXx_BIT_PATT_LENGTH`). If the bit pattern is 16 bits or less, it is stored in the `AUXx_BIT_PATT_1` field. The MSB represents the first-transmitted bit of the pattern; one or more of the LSBs may be unused, depending on the size of the bit pattern. If the bit pattern is more than 16 bits, the remaining bits are stored in `AUXx_BIT_PATT_0`.

If the auxiliary bit patterns are updated, the new settings are latched internally and are not reflected in the SPI data output until a 1 is written to `INIT_UPDATE`. Note that the host processor must confirm that the gain controller is idle (`BUSY_STS = 0`) before writing to `INIT_UPDATE`.

4.5.4.6 Initialization

The hybrid gain controller must be initialized to ensure correct gain-ramping behavior. The host processor should configure the bit patterns, analog gain, and digital gain fields for all channels—writing `CHx_UPDATE = 0` for each audio channel—and then write 1 to `INIT_UPDATE` to transmit the bit patterns and initialize the internal gain-control algorithms. Note that the host processor must confirm that the gain controller is idle (`BUSY_STS = 0`) before writing to `INIT_UPDATE`.

Note: There is no zero-cross detection or transient masking when using `INIT_UPDATE`, so audible artifacts may occur. It is recommended to mute all audio channels (using `INx_MUTE`) to suppress any unintended transients.

Writing to `INIT_UPDATE` has no effect if `BUSY_STS = 1`, indicating that gain updates are pending for one or more audio channels. The host processor can cancel any pending gain updates by writing 1 to `ABORT`—this can be used to return the controller to the idle state as quickly as possible, in readiness for initializing the system with a new configuration.

If the `ABORT` bit is written, the CS5308P does not become idle until it has finished applying the updates to the audio channel currently being processed. The host processor must always check the controller is idle (`BUSY_STS = 0`) before writing to `INIT_UPDATE`.

Note: Any gain updates that are canceled using the `ABORT` bit may result in an inconsistency between the register map and the respective internal/external gain settings. The `ABORT` bit should only be used as part of a control sequence that also uses `INIT_UPDATE` to apply a new configuration to all channels.

4.5.5 ADC Input Summing

The ADC signal paths can be combined in groups of two, four, or eight channels; this can be used to achieve enhanced dynamic-range performance on the respective paths.

The ADC input summing is configured using `IN_SUM_MODE`. The supported options are described in [Table 4-10](#).

Note: The `IN_SUM_MODE` field should not be changed while `GLOBAL_EN` is set. The `GLOBAL_EN` bit should always be cleared before writing to `IN_SUM_MODE`.

Table 4-10. ADC Input Summing

Configuration	Description	Input Summing Configuration
Default	8-channel output	ADC1–ADC8 as individual ADCs
ADCs combined in groups of two	4-channel output	ADC1+ADC2 ADC3+ADC4 ADC5+ADC6 ADC7+ADC8
ADCs combined in groups of four	2-channel output	ADC1+ADC2+ADC3+ADC4 ADC5+ADC6+ADC7+ADC8
ADCs combined as a group of eight	1-channel output	ADC1+ADC2+ADC3+ADC4+ADC5+ADC6+ADC7+ADC8

If the ADC paths are combined, the respective analog input connections must be linked together to provide the same input to each of the respective ADC channels. Typical connections are shown in Fig. 4-5.

The combined ADC paths are configured using the control registers associated with the lowest-numbered ADC in the group. For example, the ADC3+ADC4 group is configured using the IN3/ADC3 control registers.

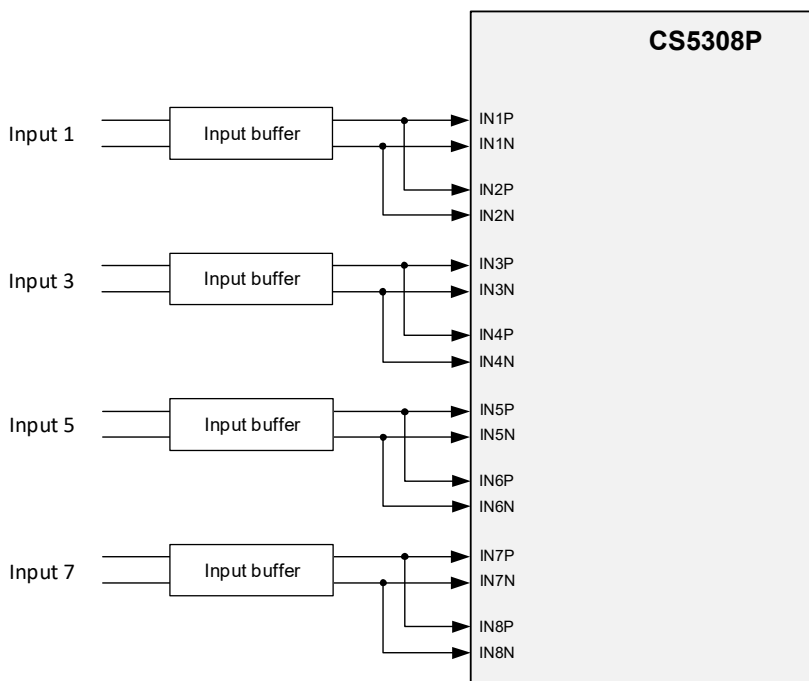


Figure 4-5. Input Summing

4.5.6 External Components

The analog input channels are supported using external buffer circuits, also incorporating anti-alias filters. A typical buffer circuit is shown in Fig. 2-1; the typical buffer circuit shown produces a full-scale (0 dBFS) output from a 8 V_{RMS} differential input.

Note that other input-buffer circuit topologies are possible, including support for single-ended input signals and the use of single-ended op-amps.

The CS5308P input impedance is configurable as described in Section 4.5.1. The design of the input buffer circuit should be consistent with the applicable input impedance. The buffer circuit shown in Fig. 2-1 supports both of the available input-impedance selections.

4.6 Digital Filter Selection

The ADC input path incorporates a decimation filter and a high-pass filter. Four types of decimation filter are supported:

- Fast roll-off, minimum phase
- Fast roll-off, linear phase
- Slow roll-off, minimum phase
- Slow roll-off, linear phase

The minimum-phase filters offer the lowest latency and an impulse response with no pre-ringing, at the expense of potential in-band phase distortion. The linear-phase filters have no phase distortion, but also higher latency and a symmetric impulse response.

The slow roll-off filters offer the best impulse response and signal clarity across the audio bandwidth, minimizing latency and phase distortion up to 20 kHz. The fast roll-off filters maximize the signal bandwidth (as a function of the selected sample rate), and widen the stop band to a lower minimum frequency.

In hardware control mode, the filter selection is determined by the CONFIG5 pin (see [Section 4.2](#)). In software (I²C/SPI) control mode, the decimation filter is selected using `IN_FILTER_SEL`; the high-pass filter is enabled using `IN_HPF_EN`.

Performance plots showing the characteristics of the different filters are shown in [Section 7](#).

4.7 Audio Serial Port (ASP)

The multichannel ASP supports the output of digital audio samples from the CS5308P. The ASP can be configured as a primary or secondary interface, and supports I²S, left-justified, and TDM data formats. The audio samples can be distributed across four data lines, enabling additional bandwidth and flexibility.

Timing specifications for the ASP are described in [Table 3-11](#). An option is supported to drive the output data (DOUT) on the rising or falling BCLK edge; driving on the rising edge (assuming noninverted BCLK polarity) can be used to support a larger load capacitance by increasing the time between the launching edge from the CS5308P and the sampling edge at the receiving device.

In hardware control mode, the ASP data format is determined by the CONFIGx pins (see [Section 4.2](#)). In software (I²C/SPI) control mode, the ASP data format is configured using register fields.

In hardware mode, sample rates 32 kHz–192 kHz are supported. In software mode, the CS5308P supports sample rates 32 kHz–384 kHz. Note that 768 kHz sample rate is also supported for four channels or fewer (i.e., if channel summing is enabled as described in [Section 4.5.5](#)).

4.7.1 Primary and Secondary Operation

The ASP interface can operate as a primary or secondary interface. In the primary configuration, the BCLK and FSYNC signals are generated by the CS5308P. In the secondary configuration, the BCLK and FSYNC pins are inputs, allowing another device to drive the respective signals.

In hardware control mode, the ASP is configured as a primary or secondary interface using the CONFIG1 pin (see [Section 4.2](#)). In software control mode, the ASP primary/secondary configuration is selected using `ASP_PRIMARY`.

The ASP operation as a primary or secondary interface is illustrated in [Fig. 4-6](#) and [Fig. 4-7](#).

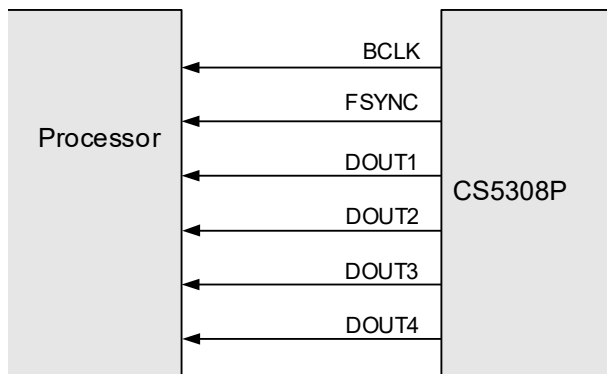


Figure 4-6. Primary Mode

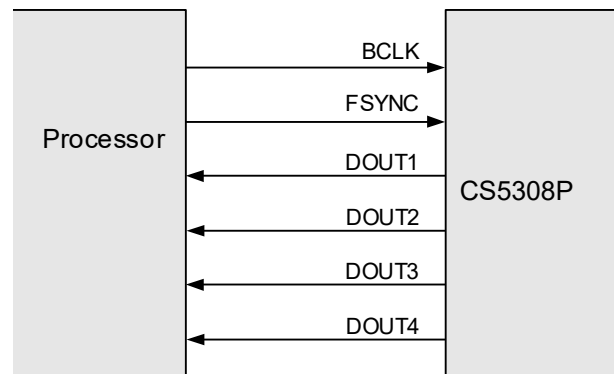


Figure 4-7. Secondary Mode

4.7.2 ASP Data Formats

The ASP interface can be configured to operate in I²S, left-justified, or TDM data formats as illustrated in Fig. 4-8 through Fig. 4-10. The data-bit order is MSB first in each case; data words are encoded in 2's complement (signed, fixed-point) format. Each audio sample is allocated a time slot within the FSYNC frame. Multiple data lines provide capacity to support different audio channels concurrently on different data pins.

- In I²S Mode, the MSB is valid on the second BCLK rising edge following a FSYNC transition. The other bits up to the LSB are valid on each successive BCLK cycle. Depending on word length, BCLK frequency, and sample rate, there may be unused BCLK cycles between the LSB of one sample and the MSB of the next.

I²S Mode data format is shown in Fig. 4-8.

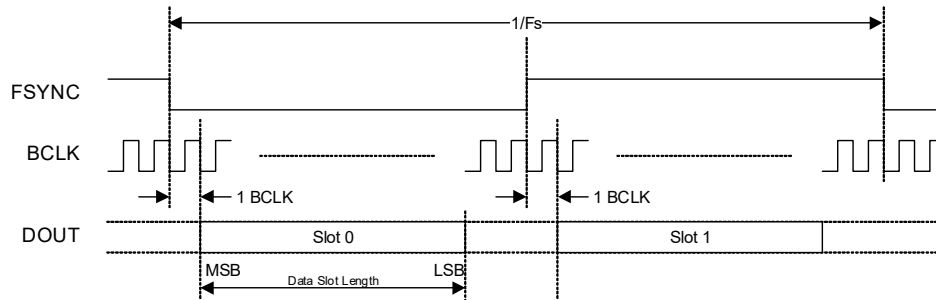


Figure 4-8. I²S Data Format

- In Left-Justified Mode, the MSB is valid on the first BCLK rising edge following a FSYNC transition. The other bits up to the LSB are valid on each successive BCLK cycle. Depending on word length, BCLK frequency, and sample rate, there may be unused BCLK cycles between the LSB of one sample and the MSB of the next.

Left-Justified Mode data format is shown in Fig. 4-9.

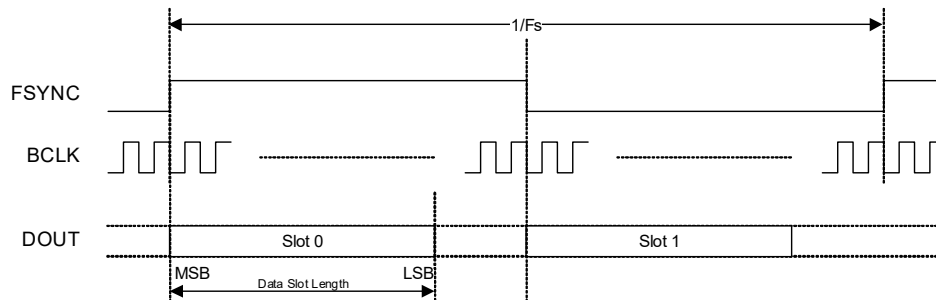


Figure 4-9. Left-Justified Data Format

- In TDM modes, the MSB of the first channel is valid on the second BCLK rising edge following the rising FSYNC edge. Subsequent channels follow immediately after the previous one. Depending on word length, BCLK frequency, and sample rate, there may be unused BCLK cycles between the LSB of the last channel data and the start of the next FSYNC frame.

In Primary Mode, the FSYNC output resembles the frame pulse shown in Fig. 4-10. In Secondary Mode, the FSYNC pulse duration can be anything less than $1/F_s$, provided the falling edge of the frame pulse occurs at least one BCLK period before the rising edge of the next frame pulse.

TDM Mode data format is shown in Fig. 4-10.

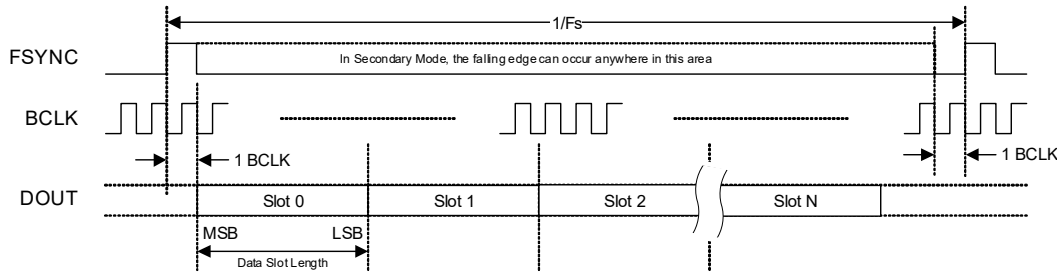


Figure 4-10. TDM Data Format

4.7.3 ASP Configuration

In hardware control mode, the ASP data format is determined by the CONFIG1 and CONFIG2 pins (see Section 4.2).

In software control mode, the ASP data format is configured using `SAMPLE_RATE` and `ASP_FORMAT`. If ASP Primary Mode is selected (see Section 4.7.1), the BCLK frequency is configured using `ASP_BCLK_FREQ`.

In software control mode, the BCLK polarity is selected using `ASP_BCLK_INV`. The polarity selection is valid in primary and secondary modes, and determines whether the data is valid for sampling on the rising edge or the falling edge.

The BCLK polarity is illustrated in Fig. 4-11 and Fig. 4-12. Note that, in hardware control mode, the BCLK polarity is assumed to be noninverted.

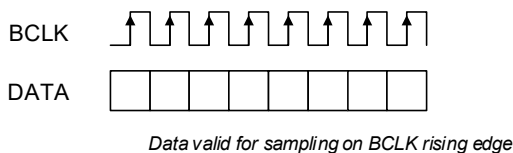


Figure 4-11. Noninverted BCLK

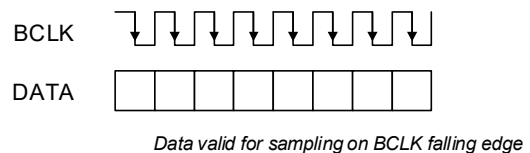


Figure 4-12. Inverted BCLK

In TDM Mode, the two data-format options are supported as follows:

- TDM Mode—minimum time slots. The ASP data format is configured to support the minimum number of time slots necessary for the 8-channel CS5308P output. This mode allows the BCLK rate to be as low as possible, equating to a minimum of 32 BCLK cycles per audio sample.
- TDM Mode—maximum time slots. The ASP data format is configured to support the maximum number of time slots for the applicable BCLK rate. The mode is designed for the maximum BCLK rate (22.5792 MHz for 44.1 kHz-related sample rates, or 24.576 MHz for 48 kHz-related sample rates), enabling the maximum possible bandwidth on the ASP data bus to be shared with other devices.

Note that, for sample rates >48 kHz, the TDM data format is the same regardless of the minimum/maximum time-slot option.

If the ASP is configured for TDM Mode with maximum time slots, the output data (DOUT) can be driven either on the rising or falling BCLK edge. Driving on the rising edge (assuming noninverted BCLK polarity) can be used to support a larger load capacitance by increasing the time between the launching edge from the CS5308P and the sampling edge at the receiving device.

Note that the ASP timing options are dependent on the behavior of the receiving device. It is assumed, for noninverted BCLK, the data is sampled on the rising BCLK edge. Similarly, for inverted BCLK, it is assumed the data is sampled on the falling BCLK edge.

The DOUT drive options for half-cycle and full-cycle mode are described in [Table 4-11](#). In full-cycle mode, the output data is driven on the same BCLK edge as it is sampled (i.e., one full BCLK cycle before the sampling edge).

Table 4-11. TDM Mode (Maximum Time Slots)—DOUT Drive Timing

TDM Mode ¹	BCLK Polarity ²	DOUT launching (drive) edge	DOUT latching (sampling) edge
Half-cycle	Noninverted	BCLK falling	BCLK rising
	Inverted	BCLK rising	BCLK falling
Full-cycle	Noninverted	BCLK rising	BCLK rising
	Inverted	BCLK falling	BCLK falling

1. The TDM variant is selected using the CONFIG2 pin (in hardware control mode) or [ASP_FORMAT](#) (in software control mode).

2. The BCLK polarity is selected using [ASP_BCLK_INV](#) in software control mode. In hardware control mode, the polarity is assumed noninverted.

The ASP configuration depends on the sample rate and the selected data format as described in [Table 4-12](#). The output data is provided on one or more ASP_DOUTx pins, depending on the selected data format.

Table 4-12. ASP Data Format

ASP Format ¹	ASP Sample Rate ^{2,3}	DOUT pins used	Time slots per frame ⁴	BCLK ^{5,6}
I ² S, Left-Justified	32 kHz	4	2	BCLK ≥ 64 fs ^[7]
	44.1 kHz, 48 kHz	4	2	BCLK ≥ 64 fs
	88.2 kHz, 96 kHz	4	2	BCLK ≥ 64 fs
	176.4 kHz, 192 kHz	4	2	BCLK ≥ 64 fs
	352.8 kHz, 384 kHz	4	2	BCLK = 64 fs
	705.6 kHz, 768 kHz	—	—	—
	Autodetect (32 kHz–192 kHz)	4	2	BCLK ≥ 64 fs
TDM—minimum time slots	32 kHz	1	8	BCLK ≥ 256 fs ^[7]
	44.1 kHz, 48 kHz	1	8	BCLK ≥ 256 fs
	88.2 kHz, 96 kHz	1	8	BCLK = 256 fs
	176.4 kHz, 192 kHz	2	4	BCLK = 128 fs
	352.8 kHz, 384 kHz	4	2	BCLK = 64 fs
	705.6 kHz, 768 kHz	—	—	—
	Autodetect (32 kHz–192 kHz)	2	4	BCLK ≥ 128 fs
TDM—maximum time slots	32 kHz	1	16	BCLK ≥ 512 fs ^[7]
	44.1 kHz, 48 kHz	1	16	BCLK = 512 fs
	88.2 kHz, 96 kHz	1	8	BCLK = 256 fs
	176.4 kHz, 192 kHz	2	4	BCLK = 128 fs
	352.8 kHz, 384 kHz	4	2	BCLK = 64 fs
	705.6 kHz, 768 kHz	—	—	—
	Autodetect (32 kHz–192 kHz)	2	4	BCLK ≥ 128 fs

1. The ASP format is selected using the CONFIG2 pin (in hardware control mode) or [ASP_FORMAT](#) (in software control mode).

2. The sample rate is selected using the CONFIG1 pin (in hardware control mode) or [SAMPLE_RATE](#) (in software control mode).

3. Sample rates 32 kHz–384 kHz supported in software control mode, 32 kHz–192 kHz in hardware control mode.

4. Time slots per frame is the number of data-sample time slots supported on each of the active DOUT pins.

5. The BCLK rate must be a constant integer multiple of the sample rate (fs).

6. In ASP primary mode (hardware control), the BCLK frequency is the minimum specified rate. In ASP primary mode (software control), the BCLK frequency is configured using [ASP_BCLK_FREQ](#).

7. In ASP primary mode, the specified minimum BCLK frequency for 32 kHz sample rate is not supported. The available options correspond to 96 fs, 192 fs, 384 fs, or 768 fs.

The ASP data format in I²S, Left-Justified, and TDM interface modes as illustrated in Fig. 4-13 through Fig. 4-17. Refer to Table 4-12 for the applicable definition.

- If I²S data format is selected, the ASP supports audio channels 1–8 as shown in Fig. 4-13. The minimum BCLK rate is 64 fs (where fs is the sample rate). A higher BCLK frequency can be used, resulting in unused BCLK cycles between the LSB of one sample and the MSB of the next.

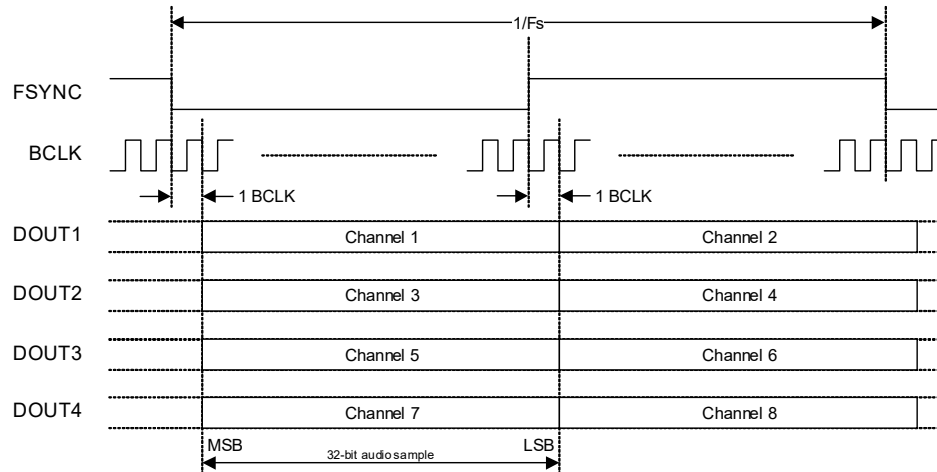


Figure 4-13. I²S Data Format

- If Left-Justified data format is selected, the ASP supports audio channels 1–8 as shown in Fig. 4-14. The minimum BCLK rate is 64 fs (where fs is the sample rate). A higher BCLK frequency can be used, resulting in unused BCLK cycles between the LSB of one sample and the MSB of the next.

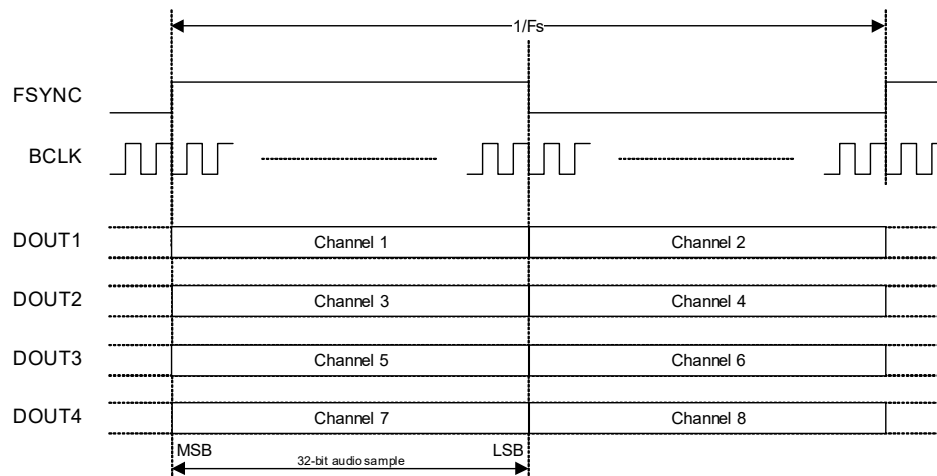


Figure 4-14. Left-Justified Data Format

- In TDM Mode, the FSYNC frame is configured for 2, 4, 8, or 16 slots as specified in Table 4-12. In 16-slot mode, the slot assignment for audio channels 1–8 is selected using the CONFIG3 pin (in hardware control mode—see Section 4.2) or else using ASP_TDM_SLOT (in software control mode). In 2-, 4-, and 8-slot modes, the default slot assignment (slots 0–7) should be selected. The BCLK rate is related to the sample rate (fs) as described in Table 4-12. Where applicable, the BCLK rate can be higher than the stated minimum, resulting in additional unused BCLK cycles between the last slot in the frame and the start of the next frame. The ASP_DOUTn pins are high impedance if the CS5308P is not transmitting data, allowing other devices on the bus to transmit data during any unused time slots.

In 8- and 16-slot modes, the output data is provided on ASP_DOUT1; the ASP_DOUT2, ASP_DOUT3, and ASP_DOUT4 pins are not used.

The 8-slot TDM format is shown in Fig. 4-15. In 8-slot TDM format, audio channels 1–8 occupy TDM slots 0–7 respectively.

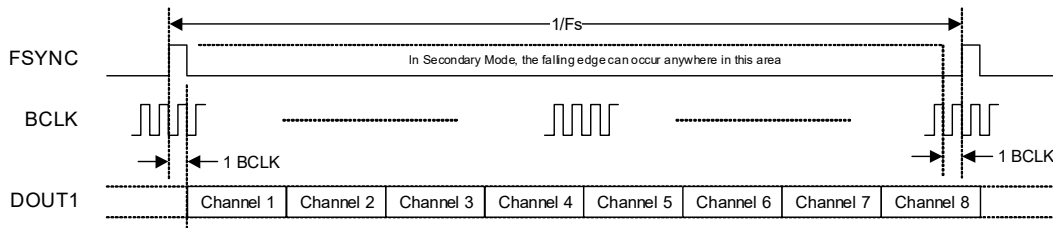


Figure 4-15. TDM Data Format—1 x DOUT

In 4-slot mode, the output data is provided on ASP_DOUT1 and ASP_DOUT2.

The 4-slot TDM format is shown in Fig. 4-16.

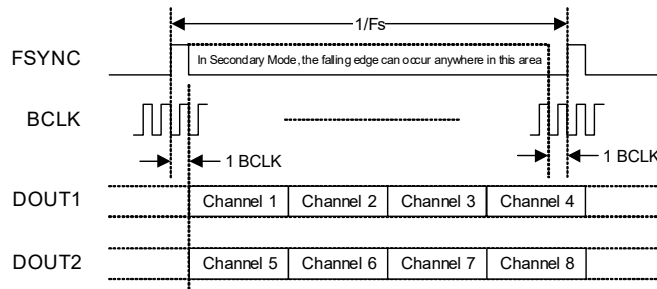


Figure 4-16. TDM Data Format—2 x DOUT

In 2-slot mode, the output data is provided on ASP_DOUT1, ASP_DOUT2, ASP_DOUT3, and ASP_DOUT4. Note the 2-slot format is used to support 352.8 kHz and 384 kHz sample rates only.

The 2-slot TDM format is shown in Fig. 4-17.

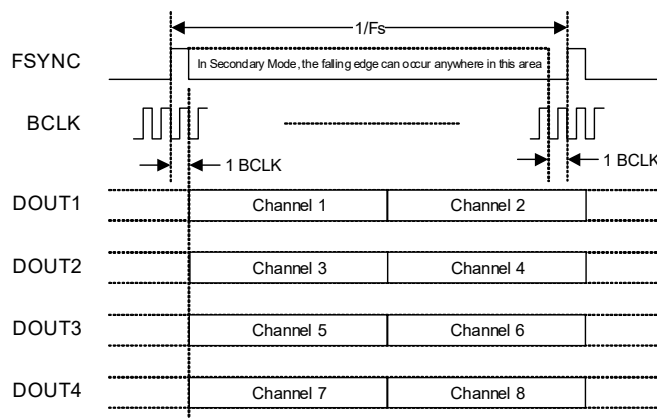


Figure 4-17. TDM Data Format—4 x DOUT

4.7.4 Input Channel Summing

The ADC signal paths can be combined as described in Section 4.5.5; this can be used to achieve enhanced performance on the respective paths. If the ADC paths are combined, the ASP data format is redefined as a 4-, 2-, or 1-channel output.

If the input channels are combined in groups of two, the CS5308P supports a 4-channel output. The ASP configuration depends on the sample rate and the selected data format as described in Table 4-13. The output data is provided on one or more ASP_DOUTx pins, depending on the selected data format.

Table 4-13. ASP Data Format—4-channel

ASP Format 1	ASP Sample Rate 2	DOUT pins used	Time slots per frame 3	BCLK 4,5
I ² S, Left-Justified	32 kHz	2	2	BCLK ≥ 64 fs [6]
	44.1 kHz, 48 kHz	2	2	BCLK ≥ 64 fs
	88.2 kHz, 96 kHz	2	2	BCLK ≥ 64 fs
	176.4 kHz, 192 kHz	2	2	BCLK ≥ 64 fs
	352.8 kHz, 384 kHz	2	2	BCLK = 64 fs
	705.6 kHz, 768 kHz	—	—	—
	Autodetect (32 kHz–192 kHz)	2	2	BCLK ≥ 64 fs
TDM—minimum time slots	32 kHz	1	4	BCLK ≥ 128 fs [6]
	44.1 kHz, 48 kHz	1	4	BCLK ≥ 128 fs
	88.2 kHz, 96 kHz	1	4	BCLK ≥ 128 fs
	176.4 kHz, 192 kHz	1	4	BCLK = 128 fs
	352.8 kHz, 384 kHz	2	2	BCLK = 64 fs
	705.6 kHz, 768 kHz	4	1	BCLK = 32 fs
	Autodetect (32 kHz–192 kHz)	1	4	BCLK ≥ 128 fs
TDM—maximum time slots	32 kHz	1	16	BCLK ≥ 512 fs [6]
	44.1 kHz, 48 kHz	1	16	BCLK = 512 fs
	88.2 kHz, 96 kHz	1	8	BCLK = 256 fs
	176.4 kHz, 192 kHz	1	4	BCLK = 128 fs
	352.8 kHz, 384 kHz	2	2	BCLK = 64 fs
	705.6 kHz, 768 kHz	4	1	BCLK = 32 fs
	Autodetect (32 kHz–192 kHz)	1	4	BCLK ≥ 128 fs

1. The ASP format is selected using [ASP_FORMAT](#).
2. The sample rate is selected using [SAMPLE_RATE](#).
3. Time slots per frame is the number of data-sample time slots supported on each of the active DOUT pins.
4. The BCLK rate must be a constant integer multiple of the sample rate (fs).
5. fs = sample rate. In ASP primary mode, the BCLK frequency is configured using [ASP_BCLK_FREQ](#).
6. In ASP primary mode, the specified minimum BCLK frequency for 32 kHz sample rate is not supported. The available options correspond to 96 fs, 192 fs, 384 fs, or 768 fs.

The 4-channel ASP format is illustrated in Fig. 4-18 through Fig. 4-22.

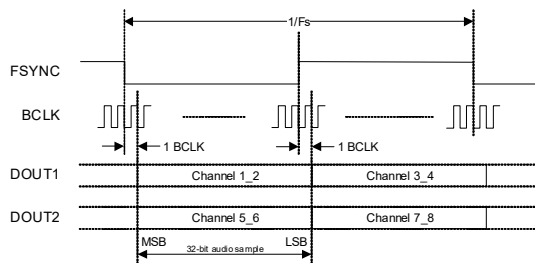


Figure 4-18. I²S Data Format

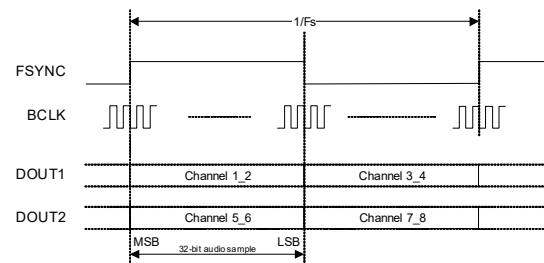


Figure 4-19. Left-Justified Data Format

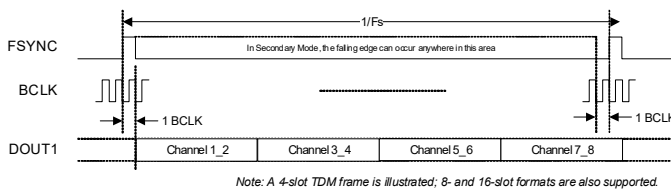


Figure 4-20. TDM Data Format—1 x DOUT

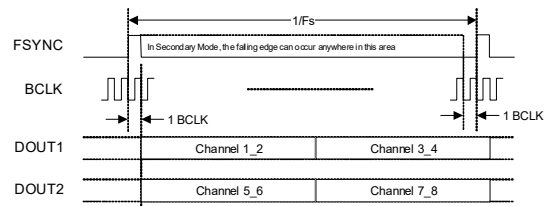
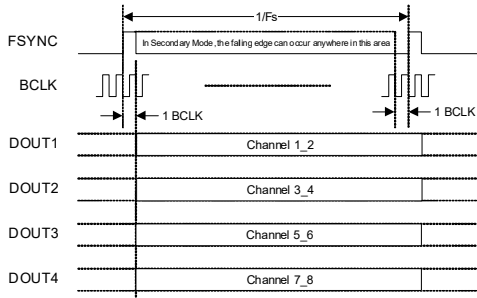


Figure 4-21. TDM Data Format—2 x DOUT


Figure 4-22. TDM Data Format—4 x DOUT

If the input channels are combined in groups of four, the CS5308P supports a 2-channel output. The ASP configuration depends on the sample rate and the selected data format as described in [Table 4-14](#). The output data is provided on ASP_DOUT1 in most cases; the ASP_DOUT2 pin is used for 705.6 kHz/768 kHz operation only.

Table 4-14. ASP Data Format—2-channel

ASP Format 1	ASP Sample Rate 2	DOUT pins used	Time slots per frame 3	BCLK 4,5
I2S, Left-Justified	32 kHz	1	2	BCLK ≥ 64 fs [6]
	44.1 kHz, 48 kHz	1	2	BCLK ≥ 64 fs
	88.2 kHz, 96 kHz	1	2	BCLK ≥ 64 fs
	176.4 kHz, 192 kHz	1	2	BCLK ≥ 64 fs
	352.8 kHz, 384 kHz	1	2	BCLK = 64 fs
	705.6 kHz, 768 kHz	—	—	—
	Autodetect (32 kHz–192 kHz)	1	2	BCLK ≥ 64 fs
TDM—minimum time slots	32 kHz	1	2	BCLK ≥ 64 fs [6]
	44.1 kHz, 48 kHz	1	2	BCLK ≥ 64 fs
	88.2 kHz, 96 kHz	1	2	BCLK ≥ 64 fs
	176.4 kHz, 192 kHz	1	2	BCLK ≥ 64 fs
	352.8 kHz, 384 kHz	1	2	BCLK = 64 fs
	705.6 kHz, 768 kHz	2	1	BCLK = 32 fs
	Autodetect (32 kHz–192 kHz)	1	2	BCLK ≥ 64 fs
TDM—maximum time slots	32 kHz	1	16	BCLK ≥ 512 fs [6]
	44.1 kHz, 48 kHz	1	16	BCLK = 512 fs
	88.2 kHz, 96 kHz	1	8	BCLK = 256 fs
	176.4 kHz, 192 kHz	1	4	BCLK = 128 fs
	352.8 kHz, 384 kHz	1	2	BCLK = 64 fs
	705.6 kHz, 768 kHz	2	1	BCLK = 32 fs
	Autodetect (32 kHz–192 kHz)	1	4	BCLK ≥ 128 fs

1. The ASP format is selected using [ASP_FORMAT](#).

2. The sample rate is selected using [SAMPLE_RATE](#).

3. Time slots per frame is the number of data-sample time slots supported on each of the active DOUT pins.

4. The BCLK rate must be a constant integer multiple of the sample rate (fs).

5. fs = sample rate. In ASP primary mode, the BCLK frequency is configured using [ASP_BCLK_FREQ](#).

6. In ASP primary mode, the specified minimum BCLK frequency for 32 kHz sample rate is not supported. The available options correspond to 96 fs, 192 fs, 384 fs, or 768 fs.

The 2-channel ASP format is illustrated in [Fig. 4-23](#) through [Fig. 4-26](#).

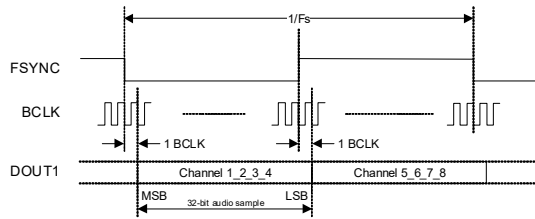


Figure 4-23. I2S Data Format

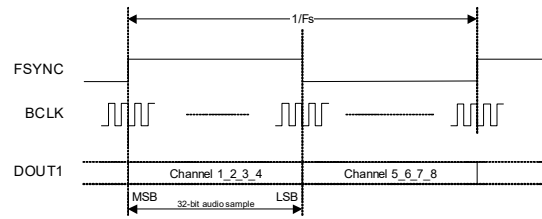


Figure 4-24. Left-Justified Data Format

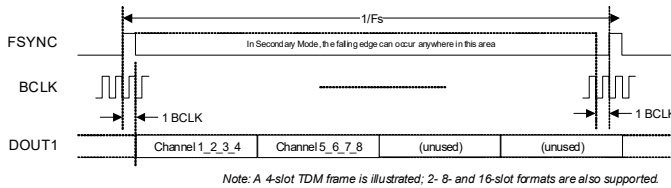


Figure 4-25. TDM Data Format—1 x DOUT

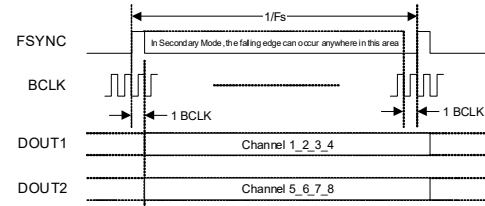


Figure 4-26. TDM Data Format—2 x DOUT

If the input channels are combined in a group of eight, the CS5308P supports a 1-channel output. The ASP configuration depends on the sample rate and the selected data format as described in [Table 4-15](#). The output data is provided on ASP_DOUT1; the ASP_DOUT2, ASP_DOUT3 and ASP_DOUT4 pins are not used.

Table 4-15. ASP Data Format—1-channel

ASP Format 1	ASP Sample Rate 2	DOUT pins used	Time slots per frame 3	BCLK 4,5
I2S, Left-Justified	32 kHz	1	2	BCLK ≥ 64 fs [6]
	44.1 kHz, 48 kHz	1	2	BCLK ≥ 64 fs
	88.2 kHz, 96 kHz	1	2	BCLK ≥ 64 fs
	176.4 kHz, 192 kHz	1	2	BCLK ≥ 64 fs
	352.8 kHz, 384 kHz	1	2	BCLK = 64 fs
	705.6 kHz, 768 kHz	—	—	—
	Autodetect (32 kHz–192 kHz)	1	2	BCLK ≥ 64 fs
TDM—minimum time slots	32 kHz	1	1	BCLK ≥ 64 fs [6]
	44.1 kHz, 48 kHz	1	1	BCLK ≥ 64 fs
	88.2 kHz, 96 kHz	1	1	BCLK ≥ 32 fs
	176.4 kHz, 192 kHz	1	1	BCLK ≥ 32 fs
	352.8 kHz, 384 kHz	1	1	BCLK ≥ 32 fs
	705.6 kHz, 768 kHz	1	1	BCLK = 32 fs
	Autodetect (32 kHz–192 kHz)	1	1	BCLK ≥ 64 fs
TDM—maximum time slots	32 kHz	1	16	BCLK ≥ 512 fs [6]
	44.1 kHz, 48 kHz	1	16	BCLK = 512 fs
	88.2 kHz, 96 kHz	1	8	BCLK = 256 fs
	176.4 kHz, 192 kHz	1	4	BCLK = 128 fs
	352.8 kHz, 384 kHz	1	2	BCLK = 64 fs
	705.6 kHz, 768 kHz	1	1	BCLK = 32 fs
	Autodetect (32 kHz–192 kHz)	1	4	BCLK ≥ 128 fs

- The ASP format is selected using [ASP_FORMAT](#) (in software control mode).
- The sample rate is selected using [SAMPLE_RATE](#) (in software control mode).
- Time slots per frame is the number of data-sample time slots supported on each of the active DOUT pins.
- The BCLK rate must be a constant integer multiple of the sample rate (fs).
- fs = sample rate. In ASP primary mode, the BCLK frequency is configured using [ASP_BCLK_FREQ](#).
- In ASP primary mode, the specified minimum BCLK frequency for 32 kHz sample rate is not supported. The available options correspond to 96 fs, 192 fs, 384 fs, or 768 fs.

The 1-channel ASP format is illustrated in Fig. 4-27 through Fig. 4-29.

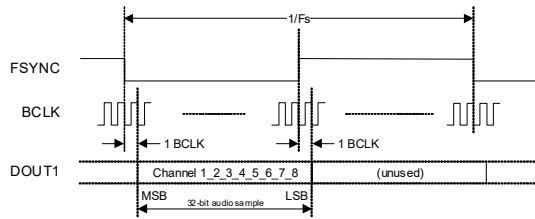


Figure 4-27. I2S Data Format

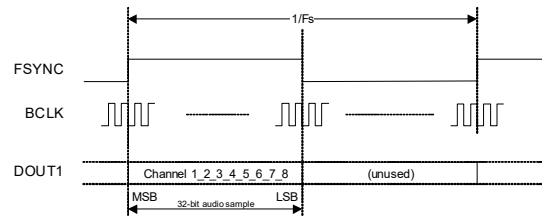


Figure 4-28. Left-Justified Data Format

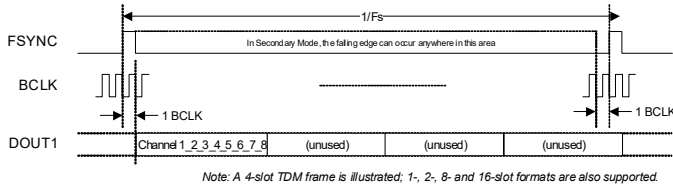


Figure 4-29. TDM Data Format

4.7.5 ASP Channel Reverse Order

The CS5308P supports an option to reverse the ASP channel order. If the reverse channel order is selected, the ASP data format is reconfigured to output the channels in the opposite order to the default order shown in Section 4.7.3 and Section 4.7.4.

The reverse channel-order option can be used to ease PCB layout constraints, enabling the ASP data ordering to be aligned with the external pin connections, regardless of the orientation of the device on the PCB.

The reverse channel order is illustrated in Fig. 4-30 and Fig. 4-31. The I²S data format is shown as an example; the equivalent channel substitutions are supported in left-justified and TDM format also.

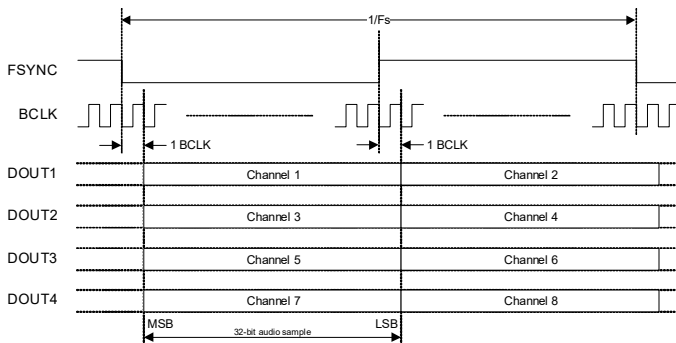


Figure 4-30. Default Channel Order

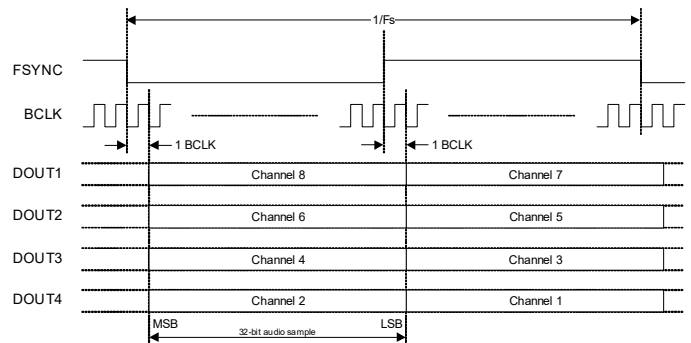


Figure 4-31. Reverse Channel Order

In hardware control mode, the ASP channel order is selected using the CONFIG4 hardware control pin, as described in Section 4.2. In software (I²C/SPI) control mode, the ASP channel order is selected using ASP_CH_REVERSE.

4.8 I²C/SPI Control Port

The CS5308P incorporates a control port, supporting I²C or SPI modes of operation. In software control mode, the CS5308P is configured by writing to control registers using the control port.

The control port is automatically configured in I²C mode or SPI mode following the first valid I²C/SPI activity detected after power-on or hardware reset.

4.8.1 I²C Control Port

The I²C control port is supported using the I2C_SCL and I2C_SDA pins.

The CS5308P is a target device on the I²C bus—SCL is a clock input, while SDA is a bidirectional data pin. To allow arbitration of multiple targets (and/or multiple controllers) on the same interface, the CS5308P transmits Logic 1 by tristating the SDA pin, rather than pulling it high. An external pull-up resistor is required to pull the SDA line high so that the Logic 1 can be recognized by the controller.

In order to allow many devices to share a single two-wire control bus, every device on the bus has a unique 8-bit device address (this is not the same as the address of each register in the CS5308P). Note that the LSB of the device address is the read/write bit; this bit is set to Logic 1 for read and Logic 0 for write.

The I²C device address is configured using the CONFIG5 pin as described in [Table 4-16](#).

Table 4-16. I²C Address Selection—CONFIG5 pin

Pin Configuration		I ² C Address
Pull-up to VDD_A	0 Ω	0x9E (write), 0x9F (read)
	4.7 kΩ	0x9C (write), 0x9D (read)
	22 kΩ	0x9A (write), 0x9B (read)
	100 kΩ	0x98 (write), 0x99 (read)
Pull-down to GND_A	100 kΩ	0x96 (write), 0x97 (read)
	22 kΩ	0x94 (write), 0x95 (read)
	4.7 kΩ	0x92 (write), 0x93 (read)
	0 Ω	0x90 (write), 0x91 (read)

The host device indicates the start of data transfer with a high-to-low transition on SDA while SCL remains high. This indicates that a device address and subsequent address/data bytes follow. The CS5308P responds to the start condition and shifts in the next 8 bits on SDA (8-bit device address, including read/write bit, MSB first). If the device address received matches the device address of the CS5308P, the CS5308P responds by pulling SDA low on the next clock pulse (ACK). If the device address is not recognized or the R/W bit is set incorrectly, the CS5308P returns to the idle condition and waits for a new start condition.

If the device address matches the device address of the CS5308P, the data transfer continues. The controller indicates the end of data transfer with a low-to-high transition on SDA while SCL remains high. After receiving a complete address and data sequence the CS5308P returns to the idle state and waits for another start condition. If a start or stop condition is detected out of sequence at any point during data transfer (i.e., SDA changes while SCL is high), the device returns to the idle condition.

The I²C interface uses a 16-bit register address and 16-bit data words. The register address must be aligned to a 16-bit word boundary (i.e., the LSB must be 0). Note that the full I²C message protocol also includes a device address, a read/write bit, and other signaling bits (see [Fig. 4-32](#) and [Fig. 4-33](#)).

The CS5308P supports the following read and write operations:

- Single write
- Single read
- Multiple write
- Multiple read

Continuous (multiple) read and write modes allow register operations to be scheduled faster than is possible with single register operations. In these modes, the CS5308P automatically increments the register address after each data word. Successive data words can be input/output every two data bytes.

The I²C protocol for a single, 16-bit register write operation is shown in Fig. 4-32.

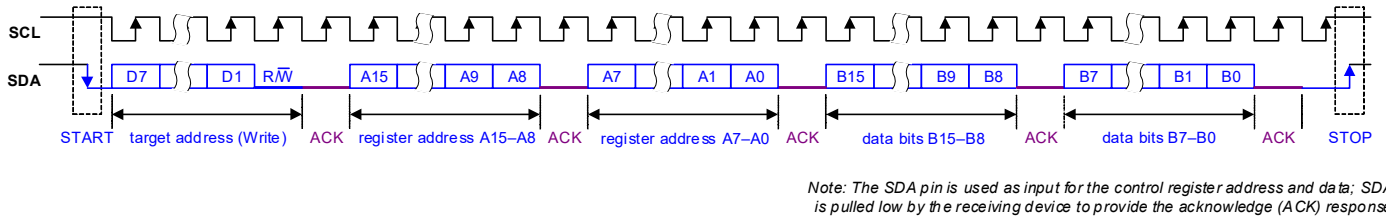


Figure 4-32. Control Interface I²C Register Write

The I²C protocol for a single, 16-bit register read operation is shown in Fig. 4-33.

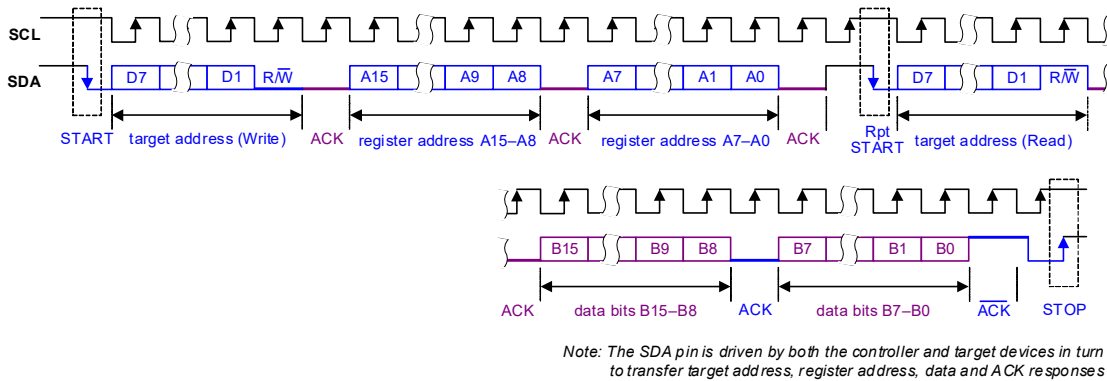


Figure 4-33. Control Interface I²C Register Read

The control interface also supports other register operations; the interface protocol for these operations is shown in Fig. 4-34 through Fig. 4-37. The terminology used in the following figures is detailed in Table 4-17.

Table 4-17. Control Interface (I²C) Terminology

Terminology	Description
S	Start condition
Sr	Repeated start
A	Acknowledge (SDA low)
\bar{A}	No Acknowledge (SDA high)
P	Stop condition
$\overline{R/W}$	Read/not Write: 0 = Write, 1 = Read
[White field]	Data flow from bus controller to CS5308P
[Gray field]	Data from CS5308P to bus controller

Fig. 4-34 shows a single register write to a specified address.

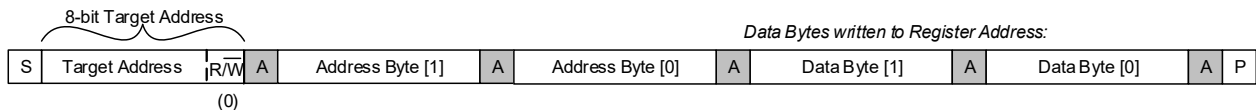


Figure 4-34. Single-Register Write to Specified Address

Fig. 4-35 shows a single register read from a specified address.

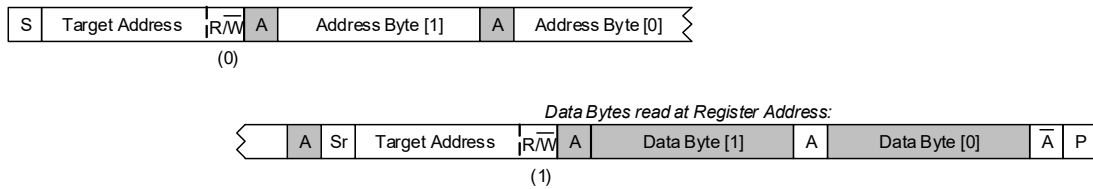


Figure 4-35. Single-Register Read from Specified Address

Fig. 4-36 shows a multiple register write to a specified address.

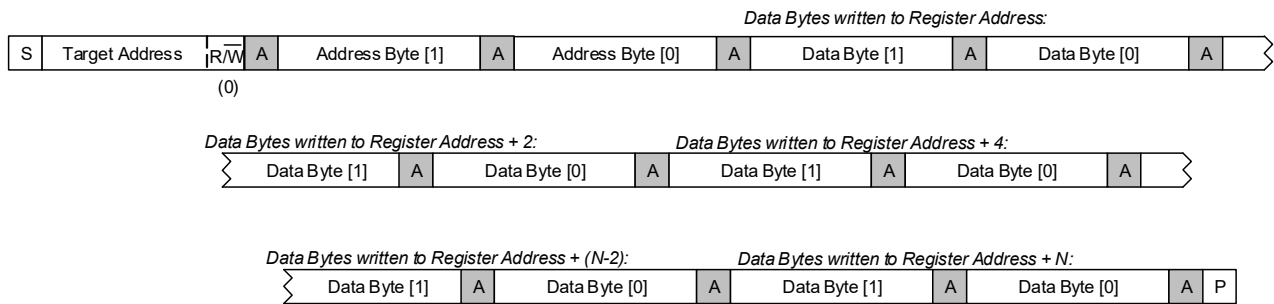


Figure 4-36. Multiple-Register Write to Specified Address

Fig. 4-37 shows a multiple register read from a specified address.

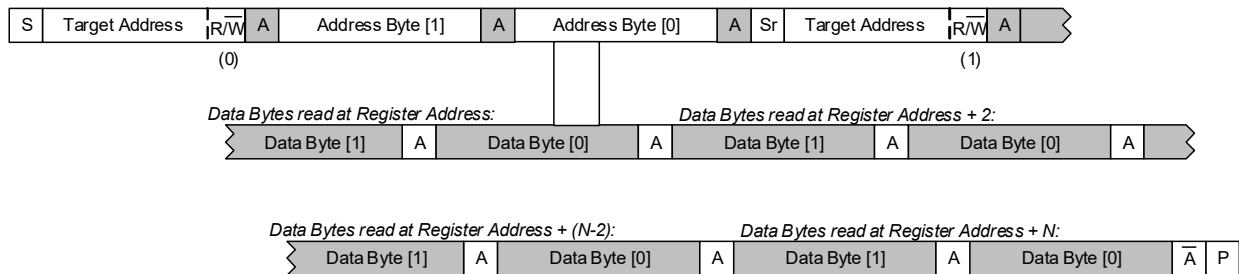


Figure 4-37. Multiple-Register Read from Specified Address

4.8.2 SPI Interface

The SPI interface is supported using the $\overline{\text{SPI_CS}}$, SPI_SCK, SPI_SDI, and SPI_SDO pins.

The SDI (data-input) pin supports the following behavior:

- In write operations ($R/\overline{W} = 0$), the SDI pin input is driven by the controlling device.
- In read operations ($R/\overline{W} = 1$), the SDI pin is ignored following receipt of the valid register address.

The SDO (data-output) pin supports the following behavior:

- If $\overline{\text{CS}}$ is asserted (Logic 0), the SDO output is actively driven when outputting data and is high impedance at other times. If $\overline{\text{CS}}$ is not asserted, the SDO output is high impedance.
- The high-impedance state of the SDO output allows the pin to be shared with other peripheral devices.
- The output (SDO) data bit is available to the host device at the rising edge of SCK. See Table 3-13 for timing information.

The SPI interface uses a 15-bit register address and 16-bit data words. Note that the full SPI message protocol also includes a read/write bit and a 16-bit padding phase (see Fig. 4-38 and Fig. 4-39).

Continuous read and write modes enable multiple register operations to be scheduled faster than is possible with single register operations. In these modes, the CS5308P automatically increments the register address at the end of each data word, for as long as \overline{CS} is held low and SCK is toggled. Successive data words can be input/output every 16 clock cycles.

The SPI protocol is shown in Fig. 4-38 and Fig. 4-39.

Fig. 4-38 shows a single register write to a specified address.

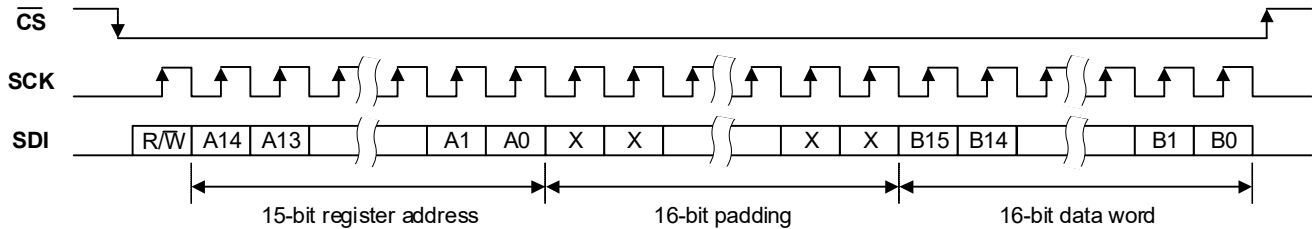


Figure 4-38. Control Interface SPI Register Write

Fig. 4-39 shows a single register read from a specified address.

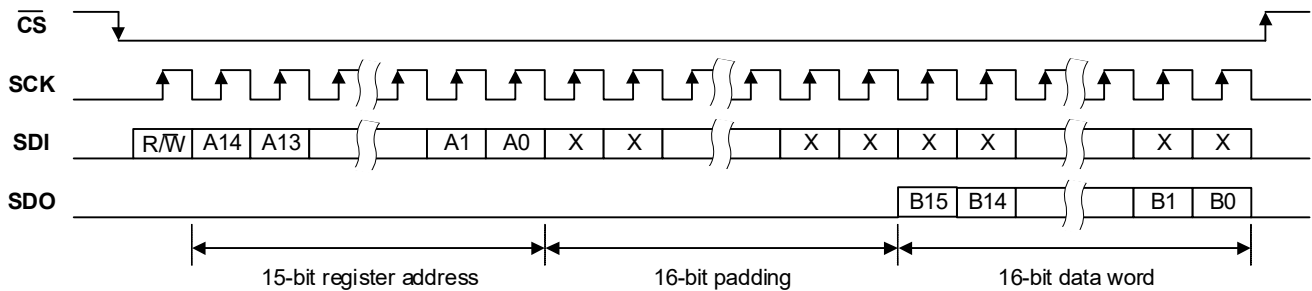


Figure 4-39. Control Interface SPI Register Read

Fig. 4-40 shows a multiple register write to a specified address.

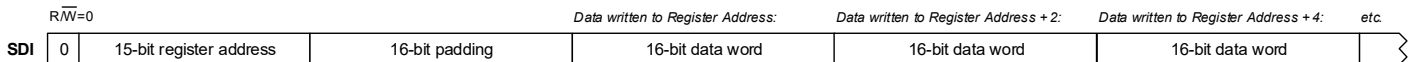


Figure 4-40. Multiple-Register Write to Specified Address

Fig. 4-41 shows a multiple register read from a specified address.

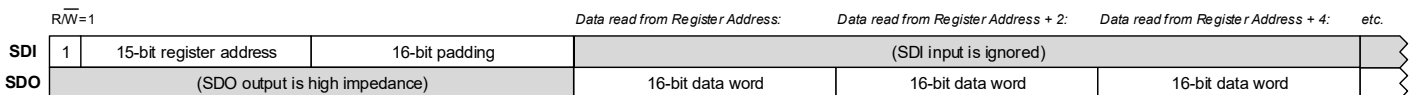


Figure 4-41. Multiple-Register Read from Specified Address

4.9 General-Purpose Output

The CS5308P supports general-purpose outputs on selected digital I/O pins. General-purpose (GP) outputs can be used to provide hardware control signals to other devices.

The general-purpose outputs are multiplexed with other pin functions (e.g., hybrid gain control, I²C/SPI control port, or the audio serial port). Note that care must be taken not to configure a pin for GP output if the shared pin function is required.

Each pin is configured for GP output by setting the respective _FN bit as noted in [Table 4-18](#). If a pin is configured for GP output, the logic output level is selected using the respective _LVL bit.

Table 4-18. General Purpose Output

Pin Name	Power Supply ¹	Pin Function Select	Output Level Select	Notes
CONFIG5	VDD_A	CONFIG5_FN	CONFIG5_LVL	GP output is not supported if the I2C control port (see Section 4.8.1) is used.
CONFIG4/HGC_CS	VDD_A	CONFIG4_FN	CONFIG4_LVL	GP output is not supported if hybrid gain control (see Section 4.5.4) is used.
CONFIG3/HGC_SDO	VDD_A	CONFIG3_FN	CONFIG3_LVL	
CONFIG2/HGC_SCK	VDD_A	CONFIG2_FN	CONFIG2_LVL	
SPI_SCK	VDD_IO	SPI_SCK_FN	SPI_SCK_LVL	GP output is not supported if the SPI control port (see Section 4.8.2) is used.
SPI_CS	VDD_IO	SPI_CS_FN	SPI_CS_LVL	
ASP_DOUT4	VDD_IO	ASP_DOUT4_FN	ASP_DOUT4_LVL	Refer to Section 4.7 to determine which pins are required for ASP output, depending on the applicable data format. Unused pins can be configured for GP output.
ASP_DOUT3	VDD_IO	ASP_DOUT3_FN	ASP_DOUT3_LVL	
ASP_DOUT2	VDD_IO	ASP_DOUT2_FN	ASP_DOUT2_LVL	

1. The digital I/O logic levels for each pin are defined with respect to the applicable power supply. See [Table 3-8](#) for details.

4.10 Device ID

The device ID, and other associated data, can be read from the control fields listed in [Table 4-19](#).

Table 4-19. Device ID

Label	Description
DEVID	Device ID
AREVID	All-layer device revision
MTLREVID	Metal-layer device revision

5 Register Quick Reference

This section gives an overview of the control port registers. Refer to the following bit definition tables for bit assignment information.

This register view is for the CS5308P.

- The register field default values are established upon the deassertion of the **RESET** pin or following soft reset.
- A "—" represents a reserved field/access type.
- The reserved field values must not be modified.
- The registers are 16 bits wide, and only word transactions are allowed.
- All visible fields are read/write except where indicated with the following shading:

Read/write access
 Read-only access
 Write-only access

Table 5-1. Block Base Addresses

Base Address	Block Name	Register Quick Reference	Register Description Reference
0x0000 0000	DEVID	Section 5.1	Section 6.1
0x0000 0040	CONFIG	Section 5.2	Section 6.2
0x0000 0080	INPUT_PATH	Section 5.3	Section 6.3
0x0000 2000	HGC	Section 5.4	Section 6.4
0x0000 3D00	PIN_CONFIG	Section 5.5	Section 6.5
0x0000 3E00	CLIP_DETECT	Section 5.6	Section 6.6

5.1 DEVID

Address	Register	15	14	13	12	11	10	9	8	7	6	5	4	3	2	1	0
0x0000 0000 p. 50	DEVID	DEVID															
		0	1	0	1	0	0	1	1	0	0	0	0	1	0	0	0
0x0000 0004 p. 50	REVID	—								AREVID				MTLREVID			
		0	0	0	0	0	0	0	0	1	0	1	1	0	0	0	0
0x0000 0022 p. 50	SW_RESET	SW_RESET								—							
		0	0	0	0	0	0	0	0	0	0	0	0	0	0	0	0

5.2 CONFIG

Address	Register	15	14	13	12	11	10	9	8	7	6	5	4	3	2	1	0
0x0000 0040 p. 51	CLK_CFG_0	—		SYSCLK_SRC		—					PLL_REFCLK_FREQ		—			PLL_REFCLK_SRC	
		0	0	0	0	0	0	0	0	0	0	1	1	0	0	0	0
0x0000 0042 p. 51	CLK_CFG_1	—										SAMPLE_RATE					
		0	0	0	0	0	0	0	0	0	0	0	0	0	0	0	1
0x0000 0044 p. 51	CHIP_ENABLE	—															GLOBAL_EN
		0	0	0	0	0	0	0	0	0	0	0	0	0	0	0	0
0x0000 0048 p. 52	ASP_CFG	—								ASP_BCLK_INV	ASP_PRIMARY	—				ASP_BCLK_FREQ	
		0	0	0	0	0	0	0	0	0	0	0	0	0	0	0	0
0x0000 0050 p. 52	SIGNAL_PATH_CFG	—						ASP_CH_REVERSE	—				ASP_TDM_SLOT		ASP_FORMAT		
		0	0	0	0	0	0	0	0	0	0	0	0	0	0	0	0

5.3 INPUT_PATH

Address	Register	15	14	13	12	11	10	9	8	7	6	5	4	3	2	1	0	
0x0000 0080 p. 53	IN_ENABLES	—								IN8_ADC_EN	IN7_ADC_EN	IN6_ADC_EN	IN5_ADC_EN	IN4_ADC_EN	IN3_ADC_EN	IN2_ADC_EN	IN1_ADC_EN	
		0	0	0	0	0	0	0	0	0	0	0	0	0	0	0	0	
0x0000 0082 p. 53	IN_RAMP_SUM	—	IN_SUM_MODE		—	IN_CLIP_THRESH				—	IN_RAMP_RATE_DEC			—	IN_RAMP_RATE_INC			
		0	0	0	0	0	0	0	0	0	0	1	0	0	0	1	0	
0x0000 0086 p. 54	IN_FILTER	—		IN_HPF_EN	—		IN_FILTER_SEL		—									
		0	0	0	0	0	0	0	0	0	0	0	0	0	0	0	0	
0x0000 0088 p. 54	IN_HIZ	—											IN78_HIZ	IN56_HIZ	IN34_HIZ	IN12_HIZ		
		0	0	0	0	0	0	0	0	0	0	0	0	0	0	0	0	
0x0000 008A p. 55	IN_INV	—								IN8_INV	IN7_INV	IN6_INV	IN5_INV	IN4_INV	IN3_INV	IN2_INV	IN1_INV	
		0	0	0	0	0	0	0	0	0	0	0	0	0	0	0	0	
0x0000 0090 p. 55	IN_VOL_CTRL1_0	IN1_MUTE	—							IN1_VOL								
		1	0	0	0	0	0	0	0	0	0	0	0	0	0	0	0	
0x0000 0092 p. 55	IN_VOL_CTRL1_1	IN2_MUTE	—							IN2_VOL								
		1	0	0	0	0	0	0	0	0	0	0	0	0	0	0	0	
0x0000 0094 p. 56	IN_VOL_CTRL2_0	IN3_MUTE	—							IN3_VOL								
		1	0	0	0	0	0	0	0	0	0	0	0	0	0	0	0	
0x0000 0096 p. 56	IN_VOL_CTRL2_1	IN4_MUTE	—							IN4_VOL								
		1	0	0	0	0	0	0	0	0	0	0	0	0	0	0	0	
0x0000 0098 p. 56	IN_VOL_CTRL3_0	IN5_MUTE	—							IN5_VOL								
		1	0	0	0	0	0	0	0	0	0	0	0	0	0	0	0	
0x0000 009A p. 56	IN_VOL_CTRL3_1	IN6_MUTE	—							IN6_VOL								
		1	0	0	0	0	0	0	0	0	0	0	0	0	0	0	0	
0x0000 009C p. 57	IN_VOL_CTRL4_0	IN7_MUTE	—							IN7_VOL								
		1	0	0	0	0	0	0	0	0	0	0	0	0	0	0	0	
0x0000 009E p. 57	IN_VOL_CTRL4_1	IN8_MUTE	—							IN8_VOL								
		1	0	0	0	0	0	0	0	0	0	0	0	0	0	0	0	
0x0000 00A0 p. 57	IN_VOL_CTRL5	—															IN_VU	
		0	0	0	0	0	0	0	0	0	0	0	0	0	0	0	0	

5.4 HGC

Address	Register	15	14	13	12	11	10	9	8	7	6	5	4	3	2	1	0
0x0000 2000 p. 58	CONTROL	—											ABORT	—			INIT_UPDATE
		0	0	0	0	0	0	0	0	0	0	0	0	0	0	0	0
0x0000 2004 p. 58	STATUS	—															BUSY_STS
		0	0	0	0	0	0	0	0	0	0	0	0	0	0	0	0
0x0000 2010 p. 58	GEN_CONFIG	—											STEP_RAMP_EN	—	ZC_TIMEOUT		
		0	0	0	0	0	0	0	0	0	0	0	1	0	1	1	1
0x0000 2014 p. 59	PATH_DELAY	TM_DELAY							DIG_VOL_DELAY								
		0	0	0	0	0	0	1	1	0	0	0	0	0	1	0	0

Address	Register	15	14	13	12	11	10	9	8	7	6	5	4	3	2	1	0	
0x0000 2018 p. 59	TM	TM_HOLD_TIME								—								TM_EN
		0	0	0	0	0	1	1	1	0	0	0	0	0	0	0	0	0
0x0000 201C p. 59	TM_LD_0	—								CH8_TM_LD_EN	CH7_TM_LD_EN	CH6_TM_LD_EN	CH5_TM_LD_EN	CH4_TM_LD_EN	CH3_TM_LD_EN	CH2_TM_LD_EN	CH1_TM_LD_EN	
		0	0	0	0	0	0	0	0	1	1	1	1	1	1	1	1	
0x0000 201E p. 60	TM_LD_1	—				TM_LD_THRESH				—				TM_LD_TIME				
		0	0	0	0	1	0	0	1	0	0	0	0	0	1	1	0	0
0x0000 2020 p. 60	SPI_0	—								SCK_DIV				—		CPHA	CPOL	
		0	0	0	0	0	0	0	0	0	0	0	0	0	0	0	0	
0x0000 2022 p. 61	SPI_1	—				CS_IDLE_DUR				CS_RISE_DELAY				CS_FALL_DELAY				
		0	0	0	0	0	0	0	0	0	0	0	0	0	0	0	0	
0x0000 2030 p. 61	CH1_CONFIG	—								CH1_BIT_PATT_LENGTH								
		0	0	0	0	0	0	0	0	0	0	0	0	0	0	0	0	
0x0000 2034 p. 62	CH2_CONFIG	—								CH2_BIT_PATT_LENGTH								
		0	0	0	0	0	0	0	0	0	0	0	0	0	0	0	0	
0x0000 2038 p. 62	CH3_CONFIG	—								CH3_BIT_PATT_LENGTH								
		0	0	0	0	0	0	0	0	0	0	0	0	0	0	0	0	
0x0000 203C p. 62	CH4_CONFIG	—								CH4_BIT_PATT_LENGTH								
		0	0	0	0	0	0	0	0	0	0	0	0	0	0	0	0	
0x0000 2040 p. 62	CH5_CONFIG	—								CH5_BIT_PATT_LENGTH								
		0	0	0	0	0	0	0	0	0	0	0	0	0	0	0	0	
0x0000 2044 p. 62	CH6_CONFIG	—								CH6_BIT_PATT_LENGTH								
		0	0	0	0	0	0	0	0	0	0	0	0	0	0	0	0	
0x0000 2048 p. 63	CH7_CONFIG	—								CH7_BIT_PATT_LENGTH								
		0	0	0	0	0	0	0	0	0	0	0	0	0	0	0	0	
0x0000 204C p. 63	CH8_CONFIG	—								CH8_BIT_PATT_LENGTH								
		0	0	0	0	0	0	0	0	0	0	0	0	0	0	0	0	
0x0000 2050 p. 63	AUX1_CONFIG	—								AUX1_BIT_PATT_LENGTH								
		0	0	0	0	0	0	0	0	0	0	0	0	0	0	0	0	
0x0000 2054 p. 63	AUX2_CONFIG	—								AUX2_BIT_PATT_LENGTH								
		0	0	0	0	0	0	0	0	0	0	0	0	0	0	0	0	
0x0000 2060 p. 63	CH1_BIT_PATT_0	CH1_BIT_PATT_0																
		0	0	0	0	0	0	0	0	0	0	0	0	0	0	0	0	0
0x0000 2062 p. 64	CH1_BIT_PATT_1	CH1_BIT_PATT_1																
		0	0	0	0	0	0	0	0	0	0	0	0	0	0	0	0	0
0x0000 2064 p. 64	CH1_VOL_0	—				CH1_ANA_VOL												
		0	0	0	0	0	0	0	0	0	0	0	0	0	0	0	0	0
0x0000 2066 p. 64	CH1_VOL_1	CH1_UPDATE	—								CH1_DIG_VOL							
		0	0	0	0	0	0	0	0	0	0	0	0	0	0	0	0	0
0x0000 2068 p. 64	CH2_BIT_PATT_0	CH2_BIT_PATT_0																
		0	0	0	0	0	0	0	0	0	0	0	0	0	0	0	0	0
0x0000 206A p. 65	CH2_BIT_PATT_1	CH2_BIT_PATT_1																
		0	0	0	0	0	0	0	0	0	0	0	0	0	0	0	0	0
0x0000 206C p. 65	CH2_VOL_0	—				CH2_ANA_VOL												
		0	0	0	0	0	0	0	0	0	0	0	0	0	0	0	0	0
0x0000 206E p. 65	CH2_VOL_1	CH2_UPDATE	—								CH2_DIG_VOL							
		0	0	0	0	0	0	0	0	0	0	0	0	0	0	0	0	0

Address	Register	15	14	13	12	11	10	9	8	7	6	5	4	3	2	1	0	
0x0000 2070 p. 65	CH3_BIT_PATT_0	CH3_BIT_PATT_0																
0x0000 2072 p. 66	CH3_BIT_PATT_1	CH3_BIT_PATT_1																
0x0000 2074 p. 66	CH3_VOL_0	—				CH3_ANA_VOL												
0x0000 2076 p. 66	CH3_VOL_1	CH3 UPDATE	—				CH3_DIG_VOL											
0x0000 2078 p. 66	CH4_BIT_PATT_0	CH4_BIT_PATT_0																
0x0000 207A p. 67	CH4_BIT_PATT_1	CH4_BIT_PATT_1																
0x0000 207C p. 67	CH4_VOL_0	—				CH4_ANA_VOL												
0x0000 207E p. 67	CH4_VOL_1	CH4 UPDATE	—				CH4_DIG_VOL											
0x0000 2080 p. 67	CH5_BIT_PATT_0	CH5_BIT_PATT_0																
0x0000 2082 p. 68	CH5_BIT_PATT_1	CH5_BIT_PATT_1																
0x0000 2084 p. 68	CH5_VOL_0	—				CH5_ANA_VOL												
0x0000 2086 p. 68	CH5_VOL_1	CH5 UPDATE	—				CH5_DIG_VOL											
0x0000 2088 p. 68	CH6_BIT_PATT_0	CH6_BIT_PATT_0																
0x0000 208A p. 69	CH6_BIT_PATT_1	CH6_BIT_PATT_1																
0x0000 208C p. 69	CH6_VOL_0	—				CH6_ANA_VOL												
0x0000 208E p. 69	CH6_VOL_1	CH6 UPDATE	—				CH6_DIG_VOL											
0x0000 2090 p. 69	CH7_BIT_PATT_0	CH7_BIT_PATT_0																
0x0000 2092 p. 70	CH7_BIT_PATT_1	CH7_BIT_PATT_1																
0x0000 2094 p. 70	CH7_VOL_0	—				CH7_ANA_VOL												
0x0000 2096 p. 70	CH7_VOL_1	CH7 UPDATE	—				CH7_DIG_VOL											
0x0000 2098 p. 70	CH8_BIT_PATT_0	CH8_BIT_PATT_0																
0x0000 209A p. 71	CH8_BIT_PATT_1	CH8_BIT_PATT_1																
0x0000 209C p. 71	CH8_VOL_0	—				CH8_ANA_VOL												
0x0000 209E p. 71	CH8_VOL_1	CH8 UPDATE	—				CH8_DIG_VOL											
0x0000 20A0 p. 71	AUX1_BIT_PATT_0	AUX1_BIT_PATT_0																
0x0000 20A2 p. 72	AUX1_BIT_PATT_1	AUX1_BIT_PATT_1																

Address	Register	15	14	13	12	11	10	9	8	7	6	5	4	3	2	1	0
0x0000 20A4 p. 72	AUX2_BIT_PATT_0	AUX2_BIT_PATT_0															
		0	0	0	0	0	0	0	0	0	0	0	0	0	0	0	0
0x0000 20A6 p. 72	AUX2_BIT_PATT_1	AUX2_BIT_PATT_1															
		0	0	0	0	0	0	0	0	0	0	0	0	0	0	0	0

5.5 PIN_CONFIG

Address	Register	15	14	13	12	11	10	9	8	7	6	5	4	3	2	1	0	
0x0000 3D1C p. 72	PAD_CLIP	CLIP_OP_CFG	—							CONFIG4_CLIP_EN	CONFIG3_CLIP_EN	CONFIG2_CLIP_EN	—	SPI_CS_CLIP_EN	ASP_DOUT4_CLIP_EN	ASP_DOUT3_CLIP_EN	ASP_DOUT2_CLIP_EN	
		0	0	0	0	0	0	0	0	0	0	0	0	0	0	0	0	
0x0000 3D20 p. 73	PAD_HGC_SPI	—																
		0	0	0	0	0	0	0	0	0	0	0	0	0	0	0	HGC_SPI_EN 0	
0x0000 3D24 p. 73	PAD_FN	—							CONFIG5_FN	CONFIG4_FN	CONFIG3_FN	CONFIG2_FN	—	SPI_SCK_FN	SPI_CS_FN	ASP_DOUT4_FN	ASP_DOUT3_FN	ASP_DOUT2_FN
		0	0	0	0	0	0	0	0	0	0	0	0	0	0	0	0	
0x0000 3D28 p. 74	PAD_LVL	—							CONFIG5_LVL	CONFIG4_LVL	CONFIG3_LVL	CONFIG2_LVL	—	SPI_SCK_LVL	SPI_CS_LVL	ASP_DOUT4_LVL	ASP_DOUT3_LVL	ASP_DOUT2_LVL
		0	0	0	0	0	0	0	0	0	0	0	0	0	0	0	0	

5.6 CLIP_DETECT

Address	Register	15	14	13	12	11	10	9	8	7	6	5	4	3	2	1	0
0x0000 3E1C p. 74	CLIP_WARN	—							IN8_CLIP_WARN	IN7_CLIP_WARN	IN6_CLIP_WARN	IN5_CLIP_WARN	IN4_CLIP_WARN	IN3_CLIP_WARN	IN2_CLIP_WARN	IN1_CLIP_WARN	—
		0	0	0	0	0	0	0	0	0	0	0	0	0	0	0	0

6 Register Descriptions

This section describes each of the control port registers.

This register view is for the CS5308P.

- The register field default values are established upon the deassertion of the $\overline{\text{RESET}}$ pin or following soft reset.
- A "—" represents a reserved field/access type.
- The reserved field values must not be modified.
- The registers are 16 bits wide, and only word transactions are allowed.
- All visible fields are read/write except where indicated with the following shading:

Read/write access
 Read-only access
 Write-only access

6.1 DEVID

6.1.1 DEVID

Address: 0x0000 0000

RO	15	14	13	12	11	10	9	8	7	6	5	4	3	2	1	0
	DEVID															
Default	0	1	0	1	0	0	1	1	0	0	0	0	1	0	0	0

Bits	Name	Description
15:0	DEVID	This register indicates the Device ID CS5308P. 0x0000–0x5307 = (Default) Reserved 0x5309–0xFFFF = Reserved 0x5308 = CS5308P

6.1.2 REVID

Address: 0x0000 0004

RO	15...8	7	6	5	4	3	2	1	0
	AREVID				MTLREVID				
Default	0x00	1	0	1	1	0	0	0	0

Bits	Name	Description
15:8	—	Reserved
7:4	AREVID	This field indicates the all-layer device revision. 0x0–0x9 = Reserved 0xB = (Default) Revision Bx 0xA = Revision Ax 0xC–0xF = Reserved
3:0	MTLREVID	This field indicates the metal-layer device revision. 0x0 = (Default) Revision x0 0x1–0xF = Reserved

6.1.3 SW_RESET

Address: 0x0000 0022

WO	15	14	13	12	11	10	9	8	7	6	5	4	3	2	1	0
	SW_RESET								—							
Default	0	0	0	0	0	0	0	0	0	0	0	0	0	0	0	0

Bits	Name	Description
15:8	SW_RESET	Software Reset. Writing 0x5A triggers a reset. 0x00 = (Default) No action 0x5A = Software reset 0x01–0x59 = Reserved 0x5B–0xFF = Reserved
7:0	—	Reserved

6.2 CONFIG

6.2.1 CLK_CFG_0

Address: 0x0000 0040

RW	15	14	13	12	11	10	9	8	7	6	5	4	3	2	1	0
	—			SYSCLK_SRC	—				PLL_REFCLK_FREQ		—			PLL_REFCLK_SRC		
Default	0	0	0	0	0	0	0	0	0	0	1	1	0	0	0	0

Bits	Name	Description
15:13	—	Reserved
12	SYSCLK_SRC	System clock source. If MCLK is selected, the PLL is bypassed. 0 = (Default) MCLK 1 = PLL
11:6	—	Reserved
5:4	PLL_REFCLK_FREQ	PLL reference clock frequency. The selection must match the frequency of the selected input reference. 00 = 3.072/2.8224 MHz 01 = 6.144/5.6448 MHz 10 = 12.288/11.2896 MHz 11 = (Default) 24.576/22.5792 MHz
3:1	—	Reserved
0	PLL_REFCLK_SRC	PLL reference clock source. Note the BCLK reference is only valid in ASP Secondary Mode. 0 = (Default) BCLK 1 = MCLK

6.2.2 CLK_CFG_1

Address: 0x0000 0042

RW	15...8	7	6	5	4	3	2	1	0
	—	—						SAMPLE_RATE	
Default	0x00	0	0	0	0	0	0	0	1

Bits	Name	Description
15:3	—	Reserved
2:0	SAMPLE_RATE	Audio sample frequency. Note the sample rate must be integer-related to the system clock frequency. Auto-detect is only valid if sample rate = 32-192kHz, clock reference = MCLK, and the ASP is in Secondary Mode. 000 = 32 kHz 001 = (Default) 48/44.1 kHz 010 = 96/88.2 kHz 011 = 192/176.4 kHz 100 = 384/356.8 kHz 101 = 768/705.6 kHz 110 = Auto-detect 111 = Reserved

6.2.3 CHIP_ENABLE

Address: 0x0000 0044

RW	15...8	7	6	5	4	3	2	1	0
	—	—						GLOBAL_EN	
Default	0x00	0	0	0	0	0	0	0	0

Bits	Name	Description
15:1	—	Reserved
0	GLOBAL_EN	Global enable. Set to 1 to configure and enable all functions. Clear to 0 to disable. Note the clocking and ASP control registers are only valid on the rising edge of GLOBAL_EN. It is recommended to select the disabled state (GLOBAL_EN=0) before writing to these registers.

6.2.4 ASP_CFG
Address: 0x0000 0048

RW	15...8	7	6	5	4	3	2	1	0
	—	—	ASP_BCLK_INV	ASP_PRIMARY	—	—	—	ASP_BCLK_FREQ	—
Default	0x00	0	0	0	0	0	0	0	0

Bits	Name	Description
15:7	—	Reserved
6	ASP_BCLK_INV	ASP BCLK polarity. Selects the valid BCLK edge for data sampling. In non-inverted mode, data is valid on BCLK rising edge. Data is driven on BCLK falling edge (half-cycle mode) or rising edge (full-cycle mode). In inverted mode, data is valid on BCLK falling edge. Data is driven on BCLK rising edge (half-cycle mode) or falling edge (full-cycle mode). 0 = (Default) Non-inverted 1 = Inverted
5	ASP_PRIMARY	ASP Primary/Secondary Mode select. In ASP Primary Mode, BCLK and FSYNC are outputs. In ASP Secondary Mode, BCLK and FSYNC are inputs. 0 = (Default) Secondary Mode 1 = Primary Mode
4:2	—	Reserved
1:0	ASP_BCLK_FREQ	ASP BCLK frequency. The BCLK frequency must be high enough to support the required number of data bits at the selected sample rate. Only valid in ASP Primary Mode. Note the BCLK frequency is integer-related to the system clock frequency i.e., multiples of 3.072 MHz for 12.288 / 24.576 MHz system clock, or multiples of 2.8224 MHz for 11.2896 / 22.5792 MHz system clock. 00 = (Default) 3.072/2.8224 MHz 01 = 6.144/5.6448 MHz 10 = 12.288/11.2896 MHz 11 = 24.576/22.5792 MHz

6.2.5 SIGNAL_PATH_CFG
Address: 0x0000 0050

RW	15	14	13	12	11	10	9	8	7	6	5	4	3	2	1	0
	—	—	—	—	—	—	ASP_CH_REVERSE	—	—	—	ASP_TDM_SLOT	—	—	ASP_FORMAT	—	—
Default	0	0	0	0	0	0	0	0	0	0	0	0	0	0	0	0

Bits	Name	Description
15:10	—	Reserved
9	ASP_CH_REVERSE	ASP channel-ordering reversal. Selects normal- or reverse-order ASP data format. 0 = (Default) Normal 1 = Reverse
8:6	—	Reserved
5:3	ASP_TDM_SLOT	TDM slot select. Configures which TDM slots are used in TDM maximum-time-slots mode. Note the valid selections vary depending on whether the device is configured in 8-channel mode (default), or in 4-/2-channel summing modes. In 8-channel mode (default), valid selections are 0x0 or 0x4 only. In 4-channel summing mode, valid selections are 0x0, 0x2, 0x4, or 0x6. 000 = (Default) Slots 0-7 (8-ch), Slots 0-3 (4-ch), Slots 0-1 (2-ch) 001 = Slots 2-3 (2-ch) 010 = Slots 4-7 (4-ch), Slots 4-5 (2-ch) 011 = Slots 6-7 (2-ch) 100 = Slots 8-15 (8-ch), Slots 8-11 (4-ch), Slots 8-9 (2-ch) 101 = Slots 10-11 (2-ch) 110 = Slots 12-15 (4-ch), Slots 12-13 (2-ch) 111 = Slots 14-15 (2-ch)
2:0	ASP_FORMAT	ASP data format. Selects how the audio samples are arranged within the FSYNC frame. In TDM Maximum Time Slots Full-Cycle Mode, data is driven on same edge as sampling edge. In TDM Maximum Time Slots Half-Cycle Mode, data is driven on opposite edge to sampling edge. 000 = (Default) I2S Mode 001 = Left-Justified Mode 010–100 = Reserved 101 = TDM Maximum Time Slots Full-Cycle Mode 110 = TDM Maximum Time Slots Half-Cycle Mode 111 = TDM Minimum Time Slots Mode

6.3 INPUT_PATH

6.3.1 IN_ENABLES

Address: 0x0000 0080

RW	15...8	7	6	5	4	3	2	1	0
	—	IN8_ADC_EN	IN7_ADC_EN	IN6_ADC_EN	IN5_ADC_EN	IN4_ADC_EN	IN3_ADC_EN	IN2_ADC_EN	IN1_ADC_EN
Default	0x00	0	0	0	0	0	0	0	0

Bits	Name	Description
15:8	—	Reserved
7	IN8_ADC_EN	Channel 8 enable. Note that Channels 7-8 should always be enabled/disabled as a pair. 0 = (Default) Disabled 1 = Enabled
6	IN7_ADC_EN	Channel 7 enable. Note that Channels 7-8 should always be enabled/disabled as a pair. 0 = (Default) Disabled 1 = Enabled
5	IN6_ADC_EN	Channel 6 enable. Note that Channels 5-6 should always be enabled/disabled as a pair. 0 = (Default) Disabled 1 = Enabled
4	IN5_ADC_EN	Channel 5 enable. Note that Channels 5-6 should always be enabled/disabled as a pair. 0 = (Default) Disabled 1 = Enabled
3	IN4_ADC_EN	Channel 4 enable. Note that Channels 3-4 should always be enabled/disabled as a pair. 0 = (Default) Disabled 1 = Enabled
2	IN3_ADC_EN	Channel 3 enable. Note that Channels 3-4 should always be enabled/disabled as a pair. 0 = (Default) Disabled 1 = Enabled
1	IN2_ADC_EN	Channel 2 enable. Note that Channels 1-2 should always be enabled/disabled as a pair. 0 = (Default) Disabled 1 = Enabled
0	IN1_ADC_EN	Channel 1 enable. Note that Channels 1-2 should always be enabled/disabled as a pair. 0 = (Default) Disabled 1 = Enabled

6.3.2 IN_RAMP_SUM

Address: 0x0000 0082

RW	15	14	13	12	11	10	9	8	7	6	5	4	3	2	1	0
	—	IN_SUM_MODE	—	—	IN_CLIP_THRESH				—	IN_RAMP_RATE_DEC			—	IN_RAMP_RATE_INC		
Default	0	0	0	0	0	0	0	0	0	0	1	0	0	0	1	0

Bits	Name	Description
15	—	Reserved
14:13	IN_SUM_MODE	ADC input summing select. Combines the input paths in groups of two, four, or eight channels. The grouped channels must be linked together at the respective input pins. The grouped paths are configured using the control registers associated with the lowest-numbered ADC in each group. 00 = (Default) No summing of channels 01 = Inputs combined in groups of two. ADC1+ADC2, ADC3+ADC4, ADC5+ADC6, ADC7+ADC8 10 = Inputs combined in groups of four. ADC1+ADC2+ADC3+ADC4, ADC5+ADC6+ADC7+ADC8 11 = Inputs combined in group of eight. ADC1+ADC2+ADC3+ADC4+ADC5+ADC6+ADC7+ADC8
12	—	Reserved
11:8	IN_CLIP_THRESH	Input clip-warning threshold 0x0 = (Default) 0.0 dBFS 0x1 = -0.125 dBFS 0x2 = -0.25 dBFS 0x3 = -0.5 dBFS 0x4 = -1.0 dBFS 0x5 = -3.0 dBFS 0x6 = -6.0 dBFS 0x7-0xF = Reserved
7	—	Reserved

Bits	Name	Description
6:4	IN_RAMP_RATE_DEC	Volume Decrease Ramp Rate (ms/6 dB), used for gain changes including HGC operations. This field should not be changed while a volume ramp is in progress. 000 = 0 ms 001 = 0.5 ms 010 = (Default) 1 ms 011 = 2 ms 100 = 4 ms 101 = 8 ms 110 = 15 ms 111 = 30 ms
3	—	Reserved
2:0	IN_RAMP_RATE_INC	Volume Increase Ramp Rate (ms/6 dB), used for gain changes including HGC operations. This field should not be changed while a volume ramp is in progress. 000 = 0 ms 001 = 0.5 ms 010 = (Default) 1 ms 011 = 2 ms 100 = 4 ms 101 = 8 ms 110 = 15 ms 111 = 30 ms

6.3.3 IN_FILTER

Address: 0x0000 0086

RW	15	14	13	12	11	10	9	8	7	6	5	4	3	2	1	0
	—			IN_HPF_EN	—		IN_FILTER_SEL		—							
Default	0	0	0	0	0	0	0	0	0	0	0	0	0	0	0	0

Bits	Name	Description
15:13	—	Reserved
12	IN_HPF_EN	High-pass filter enable. 0 = (Default) HPF disabled 1 = HPF enabled
11:10	—	Reserved
9:8	IN_FILTER_SEL	Digital filter select. Configures the decimation filter. 00 = (Default) Minimum phase, slow roll-off decimation filter 01 = Minimum phase, fast roll-off decimation filter 10 = Linear phase, slow roll-off decimation filter 11 = Linear phase, fast roll-off decimation filter
7:0	—	Reserved

6.3.4 IN_HIZ

Address: 0x0000 0088

RW	15...8	7	6	5	4	3	2	1	0
	—	—	—	—	—	IN78_HIZ	IN56_HIZ	IN34_HIZ	IN12_HIZ
Default	0x00	0	0	0	0	0	0	0	0

Bits	Name	Description
15:4	—	Reserved
3	IN78_HIZ	Channel 7-8 input impedance select. 0 = (Default) Mid Impedance 1 = High Impedance
2	IN56_HIZ	Channel 5-6 input impedance select. 0 = (Default) Mid Impedance 1 = High Impedance
1	IN34_HIZ	Channel 3-4 input impedance select. 0 = (Default) Mid Impedance 1 = High Impedance
0	IN12_HIZ	Channel 1-2 input impedance select. 0 = (Default) Mid Impedance 1 = High Impedance

6.3.5 IN_INV
Address: 0x0000 008A

RW	15...8	7	6	5	4	3	2	1	0
	—	IN8_INV	IN7_INV	IN6_INV	IN5_INV	IN4_INV	IN3_INV	IN2_INV	IN1_INV
Default	0x00	0	0	0	0	0	0	0	0

Bits	Name	Description
15:8	—	Reserved
7	IN8_INV	Channel 8 ADC invert. 0 = (Default) No inversion 1 = ADC data invert
6	IN7_INV	Channel 7 ADC invert. 0 = (Default) No inversion 1 = ADC data invert
5	IN6_INV	Channel 6 ADC invert. 0 = (Default) No inversion 1 = ADC data invert
4	IN5_INV	Channel 5 ADC invert. 0 = (Default) No inversion 1 = ADC data invert
3	IN4_INV	Channel 4 ADC invert. 0 = (Default) No inversion 1 = ADC data invert
2	IN3_INV	Channel 3 ADC invert. 0 = (Default) No inversion 1 = ADC data invert
1	IN2_INV	Channel 2 ADC invert. 0 = (Default) No inversion 1 = ADC data invert
0	IN1_INV	Channel 1 ADC invert. 0 = (Default) No inversion 1 = ADC data invert

6.3.6 IN_VOL_CTRL1_0
Address: 0x0000 0090

RW	15	14	13	12	11	10	9	8	7	6	5	4	3	2	1	0
	IN1_MUTE	—							IN1_VOL							
Default	1	0	0	0	0	0	0	0	0	0	0	0	0	0	0	0

Bits	Name	Description
15	IN1_MUTE	Channel 1 mute. 0 = Unmute 1 = (Default) Mute
14:8	—	Reserved
7:0	IN1_VOL	Channel 1 digital volume, -127.5dB to 0dB in 0.5dB steps. 0x00 = (Default) 0.0 dB 0x01 = -0.5 dB ... 0xFF = -127.5 dB

6.3.7 IN_VOL_CTRL1_1
Address: 0x0000 0092

RW	15	14	13	12	11	10	9	8	7	6	5	4	3	2	1	0
	IN2_MUTE	—							IN2_VOL							
Default	1	0	0	0	0	0	0	0	0	0	0	0	0	0	0	0

Bits	Name	Description
15	IN2_MUTE	Channel 2 mute. 0 = Unmute 1 = (Default) Mute

Bits	Name	Description
14:8	—	Reserved
7:0	IN2_VOL	Channel 2 digital volume, –127.5dB to 0dB in 0.5dB steps. 0x00 = (Default) 0.0 dB 0x01 = –0.5 dB ... 0xFF = –127.5 dB

6.3.8 IN_VOL_CTRL2_0
Address: 0x0000 0094

RW	15	14	13	12	11	10	9	8	7	6	5	4	3	2	1	0
	IN3_MUTE				—				IN3_VOL							
Default	1	0	0	0	0	0	0	0	0	0	0	0	0	0	0	0

Bits	Name	Description
15	IN3_MUTE	Channel 3 mute. 0 = Unmute 1 = (Default) Mute
14:8	—	Reserved
7:0	IN3_VOL	Channel 3 digital volume, –127.5dB to 0dB in 0.5dB steps. 0x00 = (Default) 0.0 dB 0x01 = –0.5 dB ... 0xFF = –127.5 dB

6.3.9 IN_VOL_CTRL2_1
Address: 0x0000 0096

RW	15	14	13	12	11	10	9	8	7	6	5	4	3	2	1	0
	IN4_MUTE				—				IN4_VOL							
Default	1	0	0	0	0	0	0	0	0	0	0	0	0	0	0	0

Bits	Name	Description
15	IN4_MUTE	Channel 4 mute. 0 = Unmute 1 = (Default) Mute
14:8	—	Reserved
7:0	IN4_VOL	Channel 4 digital volume, –127.5dB to 0dB in 0.5dB steps. 0x00 = (Default) 0.0 dB 0x01 = –0.5 dB ... 0xFF = –127.5 dB

6.3.10 IN_VOL_CTRL3_0
Address: 0x0000 0098

RW	15	14	13	12	11	10	9	8	7	6	5	4	3	2	1	0
	IN5_MUTE				—				IN5_VOL							
Default	1	0	0	0	0	0	0	0	0	0	0	0	0	0	0	0

Bits	Name	Description
15	IN5_MUTE	Channel 5 mute. 0 = Unmute 1 = (Default) Mute
14:8	—	Reserved
7:0	IN5_VOL	Channel 5 digital volume, –127.5dB to 0dB in 0.5dB steps. 0x00 = (Default) 0.0 dB 0x01 = –0.5 dB ... 0xFF = –127.5 dB

6.3.11 IN_VOL_CTRL3_1
Address: 0x0000 009A

RW	15	14	13	12	11	10	9	8	7	6	5	4	3	2	1	0
	IN6_MUTE				—				IN6_VOL							
Default	1	0	0	0	0	0	0	0	0	0	0	0	0	0	0	0

Bits	Name	Description
15	IN6_MUTE	Channel 6 mute. 0 = Unmute 1 = (Default) Mute

Bits	Name	Description
14:8	—	Reserved
7:0	IN6_VOL	Channel 6 digital volume, –127.5dB to 0dB in 0.5dB steps. 0x00 = (Default) 0.0 dB 0x01 = –0.5 dB ... 0xFF = –127.5 dB

6.3.12 IN_VOL_CTRL4_0
Address: 0x0000 009C

RW	15	14	13	12	11	10	9	8	7	6	5	4	3	2	1	0
	IN7_MUTE	—							IN7_VOL							
Default	1	0	0	0	0	0	0	0	0	0	0	0	0	0	0	0

Bits	Name	Description
15	IN7_MUTE	Channel 7 mute. 0 = Unmute 1 = (Default) Mute
14:8	—	Reserved
7:0	IN7_VOL	Channel 7 digital volume, –127.5dB to 0dB in 0.5dB steps. 0x00 = (Default) 0.0 dB 0x01 = –0.5 dB ... 0xFF = –127.5 dB

6.3.13 IN_VOL_CTRL4_1
Address: 0x0000 009E

RW	15	14	13	12	11	10	9	8	7	6	5	4	3	2	1	0
	IN8_MUTE	—							IN8_VOL							
Default	1	0	0	0	0	0	0	0	0	0	0	0	0	0	0	0

Bits	Name	Description
15	IN8_MUTE	Channel 8 mute. 0 = Unmute 1 = (Default) Mute
14:8	—	Reserved
7:0	IN8_VOL	Channel 8 digital volume, –127.5dB to 0dB in 0.5dB steps. 0x00 = (Default) 0.0 dB 0x01 = –0.5 dB ... 0xFF = –127.5 dB

6.3.14 IN_VOL_CTRL5
Address: 0x0000 00A0

WO	15...8	7	6	5	4	3	2	1	0
	—	—							IN_VU
Default	0x00	0	0	0	0	0	0	0	0

Bits	Name	Description
15:1	—	Reserved
0	IN_VU	Global volume update trigger 0 = (Default) No action 1 = Write 1 to trigger an update of all input volume/mute registers

6.4 HGC

6.4.1 CONTROL

Address: 0x0000 2000

WO	15...8	7	6	5	4	3	2	1	0
	—	—	—	—	ABORT	—	—	—	INIT_UPDATE
Default	0x00	0	0	0	0	0	0	0	0

Bits	Name	Description
15:5	—	Reserved
4	ABORT	Abort gain updates. Write 1 to abort any pending gain updates. Note that any updates already in progress will complete as normal and are not aborted. 0 = (Default) No action 1 = Write 1 to abort gain updates
3:1	—	Reserved
0	INIT_UPDATE	Initialize gain settings. Write 1 to transmit the SPI bit patterns and initialize all gain settings. Note the zero-cross detection is not applied when initializing gain settings. 0 = (Default) No action 1 = Write 1 to initialize gain settings

6.4.2 STATUS

Address: 0x0000 2004

RO	15...8	7	6	5	4	3	2	1	0
	—	—	—	—	—	—	—	—	BUSY_STS
Default	0x00	0	0	0	0	0	0	0	0

Bits	Name	Description
15:1	—	Reserved
0	BUSY_STS	Busy status. Indicates gain updates are pending for one or more audio channels. 0 = (Default) Idle 1 = Busy

6.4.3 GEN_CONFIG

Address: 0x0000 2010

RW	15...8	7	6	5	4	3	2	1	0
	—	—	—	—	STEP_RAMP_EN	—	—	ZC_TIMEOUT	—
Default	0x00	0	0	0	1	0	1	1	1

Bits	Name	Description
15:5	—	Reserved
4	STEP_RAMP_EN	Step ramp enable. Enables the digital gain to be used to compensate for step changes in the analog gain. 0 = Disabled 1 = (Default) Enabled
3	—	Reserved
2:0	ZC_TIMEOUT	Timeout for zero-cross detection. 000 = 0 (OFF) 001–010 = Reserved 011 = 1 ms 100 = 2 ms 101 = 5 ms 110 = 10 ms 111 = (Default) 20 ms

6.4.4 PATH_DELAY
Address: 0x0000 2014

RW	15	14	13	12	11	10	9	8	7	6	5	4	3	2	1	0
	TM_DELAY								DIG_VOL_DELAY							
Default	0	0	0	0	0	0	1	1	0	0	0	0	0	1	0	0

Bits	Name	Description
15:8	TM_DELAY	Transient masking delay. Configures the delay from the analog-gain update to the start of the transient-masking period. The delay is defined in audio sample (1/fs) units. 0x00 = 0 samples 0x01 = 1 samples ... 0xFF = 255 samples
7:0	DIG_VOL_DELAY	Digital volume update delay. Configures the delay from the analog-gain update to the digital-volume update. The delay is defined in audio sample (1/fs) units. 0x00 = 3 samples 0x01 = 4 samples ... 0xFF = 258 samples

6.4.5 TM
Address: 0x0000 2018

RW	15	14	13	12	11	10	9	8	7	6	5	4	3	2	1	0
	TM_HOLD_TIME											—	TM_EN			
Default	0	0	0	0	0	1	1	1	0	0	0	0	0	0	0	0

Bits	Name	Description
15:8	TM_HOLD_TIME	Transient masking hold time. Configures the duration of the transient masking. The delay is defined in audio sample (1/fs) units. 0x00 = 0 samples 0x01 = 1 samples ... 0xFF = 255 samples
7:1	—	Reserved
0	TM_EN	Transient masking enable. 0 = (Default) Disabled 1 = Enabled

6.4.6 TM_LD_0
Address: 0x0000 201C

RW	15...8	7	6	5	4	3	2	1	0
	—	CH8_TM_LD_EN	CH7_TM_LD_EN	CH6_TM_LD_EN	CH5_TM_LD_EN	CH4_TM_LD_EN	CH3_TM_LD_EN	CH2_TM_LD_EN	CH1_TM_LD_EN
Default	0x00	1	1	1	1	1	1	1	1

Bits	Name	Description
15:8	—	Reserved
7	CH8_TM_LD_EN	Channel 8 transient masking level-detect enable. 0 = Disabled 1 = (Default) Enabled
6	CH7_TM_LD_EN	Channel 7 transient masking level-detect enable. 0 = Disabled 1 = (Default) Enabled
5	CH6_TM_LD_EN	Channel 6 transient masking level-detect enable. 0 = Disabled 1 = (Default) Enabled
4	CH5_TM_LD_EN	Channel 5 transient masking level-detect enable. 0 = Disabled 1 = (Default) Enabled
3	CH4_TM_LD_EN	Channel 4 transient masking level-detect enable. 0 = Disabled 1 = (Default) Enabled
2	CH3_TM_LD_EN	Channel 3 transient masking level-detect enable. 0 = Disabled 1 = (Default) Enabled

Bits	Name	Description
1	CH2_TM_LD_EN	Channel 2 transient masking level-detect enable. 0 = Disabled 1 = (Default) Enabled
0	CH1_TM_LD_EN	Channel 1 transient masking level-detect enable. 0 = Disabled 1 = (Default) Enabled

6.4.7 TM_LD_1

Address: 0x0000 201E

RW	15	14	13	12	11	10	9	8	7	6	5	4	3	2	1	0
	—			TM_LD_THRESH				—				TM_LD_TIME				
Default	0	0	0	0	1	0	0	1	0	0	0	0	1	1	0	0

Bits	Name	Description
15:13	—	Reserved
12:8	TM_LD_THRESH	Transient masking level-detect threshold. Transient masking is applied if the signal level is below the threshold. Signal levels listed are the approximate RMS level of a sine wave that would be detected as just above the threshold. 0x00–0x02 = Reserved 0x03 = –20 dBFS 0x04 = –26 dBFS 0x05 = –32 dBFS 0x06 = –38 dBFS ... 0x09 = (Default) –56 dBFS ... 0x0E = –86 dBFS 0x0F = –92 dBFS 0x10 = –98 dBFS 0x11 = –104 dBFS 0x12 = –110 dBFS 0x13 = –116 dBFS 0x14–0x1F = Reserved
7:5	—	Reserved
4:0	TM_LD_TIME	Transient masking level-detect time constant. The time constant is defined in audio sample (1/fs) units. 0x00–0x09 = Reserved 0x0A = 1024 samples 0x0B = 2048 samples 0x0C = (Default) 4096 samples 0x0D = 8192 samples 0x0E = 16384 samples 0x0F = 32768 samples 0x10 = 65536 samples 0x11–0x1F = Reserved

6.4.8 SPI_0

Address: 0x0000 2020

RW	15...8	7	6	5	4	3	2	1	0	
	—				SCK_DIV		—		CPHA	CPOL
Default	0x00	0	0	0	0	0	0	0	0	

Bits	Name	Description
15:8	—	Reserved
7:4	SCK_DIV	SPI clock divider. Configures the SPI clock frequency as a division of the system clock frequency. For 48 kHz-related sample rates, the system-clock frequency is 24.576 MHz. For 44.1 kHz-related sample rates, the system-clock frequency is 22.5792 MHz. 0x0 = (Default) Divide by 2 0x1 = Divide by 4 0x2 = Divide by 6 0x3 = Divide by 8 0x4 = Divide by 10 0x5 = Divide by 12 0x6 = Divide by 14 0x7 = Divide by 16 0x8 = Divide by 18 0x9 = Divide by 20 0xA = Divide by 22 0xB = Divide by 24 0xC = Divide by 26 0xD = Divide by 28 0xE = Divide by 30 0xF = Divide by 32
3:2	—	Reserved
1	CPHA	SPI clock phase select (CPHA) 0 = (Default) Negative SPI clock phase 1 = Positive SPI clock phase
0	CPOL	SPI clock polarity select (CPOL) 0 = (Default) Negative SPI clock polarity 1 = Positive SPI clock polarity

6.4.9 SPI_1
Address: 0x0000 2022

RW	15	14	13	12	11	10	9	8	7	6	5	4	3	2	1	0
	—				CS_IDLE_DUR				CS_RISE_DELAY				CS_FALL_DELAY			
Default	0	0	0	0	0	0	0	0	0	0	0	0	0	0	0	0

Bits	Name	Description																
15:12	—	Reserved																
11:8	CS_IDLE_DUR	<p>Minimum idle duration between SPI transactions (from CS rising edge to CS falling edge). The duration is defined in system-clock cycles.</p> <p>For 48 kHz-related sample rates, the system-clock period is 1/24.576 MHz. For 44.1 kHz-related sample rates, the system-clock period is 1/22.5792 MHz.</p> <table> <tr> <td>0x0 = (Default) 32 clock cycles</td> <td>0x8 = 96 clock cycles</td> </tr> <tr> <td>0x1 = 36 clock cycles</td> <td>0x9 = 128 clock cycles</td> </tr> <tr> <td>0x2 = 40 clock cycles</td> <td>0xA = 160 clock cycles</td> </tr> <tr> <td>0x3 = 44 clock cycles</td> <td>0xB = 224 clock cycles</td> </tr> <tr> <td>0x4 = 48 clock cycles</td> <td>0xC = 288 clock cycles</td> </tr> <tr> <td>0x5 = 56 clock cycles</td> <td>0xD = 416 clock cycles</td> </tr> <tr> <td>0x6 = 64 clock cycles</td> <td>0xE = 544 clock cycles</td> </tr> <tr> <td>0x7 = 80 clock cycles</td> <td>0xF = 800 clock cycles</td> </tr> </table>	0x0 = (Default) 32 clock cycles	0x8 = 96 clock cycles	0x1 = 36 clock cycles	0x9 = 128 clock cycles	0x2 = 40 clock cycles	0xA = 160 clock cycles	0x3 = 44 clock cycles	0xB = 224 clock cycles	0x4 = 48 clock cycles	0xC = 288 clock cycles	0x5 = 56 clock cycles	0xD = 416 clock cycles	0x6 = 64 clock cycles	0xE = 544 clock cycles	0x7 = 80 clock cycles	0xF = 800 clock cycles
0x0 = (Default) 32 clock cycles	0x8 = 96 clock cycles																	
0x1 = 36 clock cycles	0x9 = 128 clock cycles																	
0x2 = 40 clock cycles	0xA = 160 clock cycles																	
0x3 = 44 clock cycles	0xB = 224 clock cycles																	
0x4 = 48 clock cycles	0xC = 288 clock cycles																	
0x5 = 56 clock cycles	0xD = 416 clock cycles																	
0x6 = 64 clock cycles	0xE = 544 clock cycles																	
0x7 = 80 clock cycles	0xF = 800 clock cycles																	
7:4	CS_RISE_DELAY	<p>Chip Select (CS) rise delay. Configures the minimum time from SCLK active edge to CS rising edge (end of SPI transaction). The delay is defined in system-clock cycles.</p> <p>For 48 kHz-related sample rates, the system-clock period is 1/24.576 MHz. For 44.1 kHz-related sample rates, the system-clock period is 1/22.5792 MHz.</p> <table> <tr> <td>0x0 = (Default) 2 clock cycles</td> <td>0x8 = 18 clock cycles</td> </tr> <tr> <td>0x1 = 4 clock cycles</td> <td>0x9 = 20 clock cycles</td> </tr> <tr> <td>0x2 = 6 clock cycles</td> <td>0xA = 22 clock cycles</td> </tr> <tr> <td>0x3 = 8 clock cycles</td> <td>0xB = 24 clock cycles</td> </tr> <tr> <td>0x4 = 10 clock cycles</td> <td>0xC = 26 clock cycles</td> </tr> <tr> <td>0x5 = 12 clock cycles</td> <td>0xD = 28 clock cycles</td> </tr> <tr> <td>0x6 = 14 clock cycles</td> <td>0xE = 30 clock cycles</td> </tr> <tr> <td>0x7 = 16 clock cycles</td> <td>0xF = 32 clock cycles</td> </tr> </table>	0x0 = (Default) 2 clock cycles	0x8 = 18 clock cycles	0x1 = 4 clock cycles	0x9 = 20 clock cycles	0x2 = 6 clock cycles	0xA = 22 clock cycles	0x3 = 8 clock cycles	0xB = 24 clock cycles	0x4 = 10 clock cycles	0xC = 26 clock cycles	0x5 = 12 clock cycles	0xD = 28 clock cycles	0x6 = 14 clock cycles	0xE = 30 clock cycles	0x7 = 16 clock cycles	0xF = 32 clock cycles
0x0 = (Default) 2 clock cycles	0x8 = 18 clock cycles																	
0x1 = 4 clock cycles	0x9 = 20 clock cycles																	
0x2 = 6 clock cycles	0xA = 22 clock cycles																	
0x3 = 8 clock cycles	0xB = 24 clock cycles																	
0x4 = 10 clock cycles	0xC = 26 clock cycles																	
0x5 = 12 clock cycles	0xD = 28 clock cycles																	
0x6 = 14 clock cycles	0xE = 30 clock cycles																	
0x7 = 16 clock cycles	0xF = 32 clock cycles																	
3:0	CS_FALL_DELAY	<p>Chip Select (CS) fall delay. Configures the minimum time from CS falling edge (start of SPI transaction) to the first SCK edge. The delay is defined in system-clock cycles.</p> <p>For 48 kHz-related sample rates, the system-clock period is 1/24.576 MHz. For 44.1 kHz-related sample rates, the system-clock period is 1/22.5792 MHz.</p> <p>The delay is dependent on the SPI clock divider (SCK_DIV) setting – the 'N' variable in the enumeration represents the value of SCK_DIV field (0-15).</p> <table> <tr> <td>0x0 = (Default) 3+N clock cycles</td> <td>0x8 = 19+N clock cycles</td> </tr> <tr> <td>0x1 = 5+N clock cycles</td> <td>0x9 = 21+N clock cycles</td> </tr> <tr> <td>0x2 = 7+N clock cycles</td> <td>0xA = 23+N clock cycles</td> </tr> <tr> <td>0x3 = 9+N clock cycles</td> <td>0xB = 25+N clock cycles</td> </tr> <tr> <td>0x4 = 11+N clock cycles</td> <td>0xC = 27+N clock cycles</td> </tr> <tr> <td>0x5 = 13+N clock cycles</td> <td>0xD = 29+N clock cycles</td> </tr> <tr> <td>0x6 = 15+N clock cycles</td> <td>0xE = 31+N clock cycles</td> </tr> <tr> <td>0x7 = 17+N clock cycles</td> <td>0xF = 33+N clock cycles</td> </tr> </table>	0x0 = (Default) 3+N clock cycles	0x8 = 19+N clock cycles	0x1 = 5+N clock cycles	0x9 = 21+N clock cycles	0x2 = 7+N clock cycles	0xA = 23+N clock cycles	0x3 = 9+N clock cycles	0xB = 25+N clock cycles	0x4 = 11+N clock cycles	0xC = 27+N clock cycles	0x5 = 13+N clock cycles	0xD = 29+N clock cycles	0x6 = 15+N clock cycles	0xE = 31+N clock cycles	0x7 = 17+N clock cycles	0xF = 33+N clock cycles
0x0 = (Default) 3+N clock cycles	0x8 = 19+N clock cycles																	
0x1 = 5+N clock cycles	0x9 = 21+N clock cycles																	
0x2 = 7+N clock cycles	0xA = 23+N clock cycles																	
0x3 = 9+N clock cycles	0xB = 25+N clock cycles																	
0x4 = 11+N clock cycles	0xC = 27+N clock cycles																	
0x5 = 13+N clock cycles	0xD = 29+N clock cycles																	
0x6 = 15+N clock cycles	0xE = 31+N clock cycles																	
0x7 = 17+N clock cycles	0xF = 33+N clock cycles																	

6.4.10 CH1_CONFIG
Address: 0x0000 2030

RW	15...8	7	6	5	4	3	2	1	0	
	—		—		CH1_BIT_PATT_LENGTH					
Default	0x00	0	0	0	0	0	0	0	0	

Bits	Name	Description						
15:6	—	Reserved						
5:0	CH1_BIT_PATT_LENGTH	<p>Channel 1 bit-pattern length for SPI gain control</p> <table> <tr> <td>0x00 = (Default) 0 bits (device not present)</td> <td>...</td> </tr> <tr> <td>0x01 = 1 bits</td> <td>0x20 = 32 bits</td> </tr> <tr> <td>0x02 = 2 bits</td> <td>0x21–0x3F = Reserved</td> </tr> </table>	0x00 = (Default) 0 bits (device not present)	...	0x01 = 1 bits	0x20 = 32 bits	0x02 = 2 bits	0x21–0x3F = Reserved
0x00 = (Default) 0 bits (device not present)	...							
0x01 = 1 bits	0x20 = 32 bits							
0x02 = 2 bits	0x21–0x3F = Reserved							

6.4.11 CH2_CONFIG
Address: 0x0000 2034

RW	15...8	7	6	5	4	3	2	1	0
	—	—				CH2_BIT_PATT_LENGTH			
Default	0x00	0	0	0	0	0	0	0	0

Bits	Name	Description
15:6	—	Reserved
5:0	CH2_BIT_PATT_LENGTH	Channel 2 bit-pattern length for SPI gain control 0x00 = (Default) 0 bits (device not present) 0x01 = 1 bits 0x02 = 2 bits ... 0x20 = 32 bits 0x21–0x3F = Reserved

6.4.12 CH3_CONFIG
Address: 0x0000 2038

RW	15...8	7	6	5	4	3	2	1	0
	—	—				CH3_BIT_PATT_LENGTH			
Default	0x00	0	0	0	0	0	0	0	0

Bits	Name	Description
15:6	—	Reserved
5:0	CH3_BIT_PATT_LENGTH	Channel 3 bit-pattern length for SPI gain control 0x00 = (Default) 0 bits (device not present) 0x01 = 1 bits 0x02 = 2 bits ... 0x20 = 32 bits 0x21–0x3F = Reserved

6.4.13 CH4_CONFIG
Address: 0x0000 203C

RW	15...8	7	6	5	4	3	2	1	0
	—	—				CH4_BIT_PATT_LENGTH			
Default	0x00	0	0	0	0	0	0	0	0

Bits	Name	Description
15:6	—	Reserved
5:0	CH4_BIT_PATT_LENGTH	Channel 4 bit-pattern length for SPI gain control 0x00 = (Default) 0 bits (device not present) 0x01 = 1 bits 0x02 = 2 bits ... 0x20 = 32 bits 0x21–0x3F = Reserved

6.4.14 CH5_CONFIG
Address: 0x0000 2040

RW	15...8	7	6	5	4	3	2	1	0
	—	—				CH5_BIT_PATT_LENGTH			
Default	0x00	0	0	0	0	0	0	0	0

Bits	Name	Description
15:6	—	Reserved
5:0	CH5_BIT_PATT_LENGTH	Channel 5 bit-pattern length for SPI gain control 0x00 = (Default) 0 bits (device not present) 0x01 = 1 bits 0x02 = 2 bits ... 0x20 = 32 bits 0x21–0x3F = Reserved

6.4.15 CH6_CONFIG
Address: 0x0000 2044

RW	15...8	7	6	5	4	3	2	1	0
	—	—				CH6_BIT_PATT_LENGTH			
Default	0x00	0	0	0	0	0	0	0	0

Bits	Name	Description
15:6	—	Reserved
5:0	CH6_BIT_PATT_LENGTH	Channel 6 bit-pattern length for SPI gain control 0x00 = (Default) 0 bits (device not present) 0x01 = 1 bits 0x02 = 2 bits ... 0x20 = 32 bits 0x21–0x3F = Reserved

6.4.16 CH7_CONFIG
Address: 0x0000 2048

RW	15...8	7	6	5	4	3	2	1	0
	—	—				CH7_BIT_PATT_LENGTH			
Default	0x00	0	0	0	0	0	0	0	0

Bits	Name	Description
15:6	—	Reserved
5:0	CH7_BIT_PATT_LENGTH	Channel 7 bit-pattern length for SPI gain control 0x00 = (Default) 0 bits (device not present) 0x01 = 1 bits 0x02 = 2 bits ... 0x20 = 32 bits 0x21–0x3F = Reserved

6.4.17 CH8_CONFIG
Address: 0x0000 204C

RW	15...8	7	6	5	4	3	2	1	0
	—	—				CH8_BIT_PATT_LENGTH			
Default	0x00	0	0	0	0	0	0	0	0

Bits	Name	Description
15:6	—	Reserved
5:0	CH8_BIT_PATT_LENGTH	Channel 8 bit-pattern length for SPI gain control 0x00 = (Default) 0 bits (device not present) 0x01 = 1 bits 0x02 = 2 bits ... 0x20 = 32 bits 0x21–0x3F = Reserved

6.4.18 AUX1_CONFIG
Address: 0x0000 2050

RW	15...8	7	6	5	4	3	2	1	0
	—	—				AUX1_BIT_PATT_LENGTH			
Default	0x00	0	0	0	0	0	0	0	0

Bits	Name	Description
15:6	—	Reserved
5:0	AUX1_BIT_PATT_LENGTH	Auxiliary 1 bit-pattern length for SPI aux control 0x00 = (Default) 0 bits (device not present) 0x01 = 1 bits 0x02 = 2 bits ... 0x20 = 32 bits 0x21–0x3F = Reserved

6.4.19 AUX2_CONFIG
Address: 0x0000 2054

RW	15...8	7	6	5	4	3	2	1	0
	—	—				AUX2_BIT_PATT_LENGTH			
Default	0x00	0	0	0	0	0	0	0	0

Bits	Name	Description
15:6	—	Reserved
5:0	AUX2_BIT_PATT_LENGTH	Auxiliary 2 bit-pattern length for SPI aux control 0x00 = (Default) 0 bits (device not present) 0x01 = 1 bits 0x02 = 2 bits ... 0x20 = 32 bits 0x21–0x3F = Reserved

6.4.20 CH1_BIT_PATT_0
Address: 0x0000 2060

RW	15	14	13	12	11	10	9	8	7	6	5	4	3	2	1	0
	CH1_BIT_PATT_0															
Default	0	0	0	0	0	0	0	0	0	0	0	0	0	0	0	0

Bits	Name	Description
15:0	CH1_BIT_PATT_0	Channel 1 SPI bit pattern for external gain control, bits 17-32. Only used if the bit pattern is longer than 16 bits. The contents of the bit pattern must be left-aligned such that the first bit for transmission is in the MSB. If the bit pattern is shorter than 32 bits, one or more of the LSBs is unused.

6.4.21 CH1_BIT_PATT_1
Address: 0x0000 2062

RW	15	14	13	12	11	10	9	8	7	6	5	4	3	2	1	0
	CH1_BIT_PATT_1															
Default	0	0	0	0	0	0	0	0	0	0	0	0	0	0	0	0

Bits	Name	Description
15:0	CH1_BIT_PATT_1	Channel 1 SPI bit pattern for external gain control, bits 1-16. The contents of the bit pattern must be left-aligned such that the first bit for transmission is in the MSB. If the bit pattern is shorter than 16 bits, one or more of the LSBs is unused.

6.4.22 CH1_VOL_0
Address: 0x0000 2064

RW	15	14	13	12	11	10	9	8	7	6	5	4	3	2	1	0
	—				CH1_ANA_VOL											
Default	0	0	0	0	0	0	0	0	0	0	0	0	0	0	0	0

Bits	Name	Description
15:11	—	Reserved
10:0	CH1_ANA_VOL	Channel 1 analog gain. The selected value must match the analog gain of the associated SPI bit pattern. 0x000 = (Default) 0.000 dB 0x001 = 0.125 dB 0x002 = 0.250 dB ... 0x7FF = -0.125 dB 0x240–0x5BF = Reserved 0x5C0 = -72.000 dB

6.4.23 CH1_VOL_1
Address: 0x0000 2066

	15	14	13	12	11	10	9	8	7	6	5	4	3	2	1	0
	CH1_UPDATE	—							CH1_DIG_VOL							
Access	WO	—							RW							
Default	0	0	0	0	0	0	0	0	0	0	0	0	0	0	0	0

Bits	Name	Description
15	CH1_UPDATE	Channel 1 gain update. Write 1 to apply the Channel 1 gain selection and SPI bit pattern. The gain update is applied at the next scheduling opportunity, zero-cross aligned.
14:8	—	Reserved
7:0	CH1_DIG_VOL	Channel 1 digital gain. 0x00 = (Default) 0.000 dB 0x01 = 0.125 dB 0x02 = 0.250 dB ... 0x5F = 11.875 dB 0x60–0x9F = Reserved 0xA0 = -12.000 dB ... 0xFF = -0.125 dB

6.4.24 CH2_BIT_PATT_0
Address: 0x0000 2068

RW	15	14	13	12	11	10	9	8	7	6	5	4	3	2	1	0
	CH2_BIT_PATT_0															
Default	0	0	0	0	0	0	0	0	0	0	0	0	0	0	0	0

Bits	Name	Description
15:0	CH2_BIT_PATT_0	Channel 2 SPI bit pattern for external gain control, bits 17-32. Only used if the bit pattern is longer than 16 bits. The contents of the bit pattern must be left-aligned such that the first bit for transmission is in the MSB. If the bit pattern is shorter than 32 bits, one or more of the LSBs is unused.

6.4.25 CH2_BIT_PATT_1
Address: 0x0000 206A

RW	15	14	13	12	11	10	9	8	7	6	5	4	3	2	1	0
	CH2_BIT_PATT_1															
Default	0	0	0	0	0	0	0	0	0	0	0	0	0	0	0	0

Bits	Name	Description
15:0	CH2_BIT_PATT_1	Channel 2 SPI bit pattern for external gain control, bits 1-16. The contents of the bit pattern must be left-aligned such that the first bit for transmission is in the MSB. If the bit pattern is shorter than 16 bits, one or more of the LSBs is unused.

6.4.26 CH2_VOL_0
Address: 0x0000 206C

RW	15	14	13	12	11	10	9	8	7	6	5	4	3	2	1	0
	—				CH2_ANA_VOL											
Default	0	0	0	0	0	0	0	0	0	0	0	0	0	0	0	0

Bits	Name	Description
15:11	—	Reserved
10:0	CH2_ANA_VOL	Channel 2 analog gain. The selected value must match the analog gain of the associated SPI bit pattern. 0x000 = (Default) 0.000 dB 0x001 = 0.125 dB 0x002 = 0.250 dB ... 0x240–0x5BF = Reserved 0x5C0 = -72.000 dB ... 0x7FF = -0.125 dB

6.4.27 CH2_VOL_1
Address: 0x0000 206E

	15	14	13	12	11	10	9	8	7	6	5	4	3	2	1	0
	CH2_UPDATE	—							CH2_DIG_VOL							
Access	WO	—							RW							
Default	0	0	0	0	0	0	0	0	0	0	0	0	0	0	0	0

Bits	Name	Description
15	CH2_UPDATE	Channel 2 gain update. Write 1 to apply the Channel 2 gain selection and SPI bit pattern. The gain update is applied at the next scheduling opportunity, zero-cross aligned.
14:8	—	Reserved
7:0	CH2_DIG_VOL	Channel 2 digital gain. 0x00 = (Default) 0.000 dB 0x01 = 0.125 dB 0x02 = 0.250 dB ... 0x60–0x9F = Reserved 0xA0 = -12.000 dB ... 0xFF = -0.125 dB

6.4.28 CH3_BIT_PATT_0
Address: 0x0000 2070

RW	15	14	13	12	11	10	9	8	7	6	5	4	3	2	1	0
	CH3_BIT_PATT_0															
Default	0	0	0	0	0	0	0	0	0	0	0	0	0	0	0	0

Bits	Name	Description
15:0	CH3_BIT_PATT_0	Channel 3 SPI bit pattern for external gain control, bits 17-32. Only used if the bit pattern is longer than 16 bits. The contents of the bit pattern must be left-aligned such that the first bit for transmission is in the MSB. If the bit pattern is shorter than 32 bits, one or more of the LSBs is unused.

6.4.29 CH3_BIT_PATT_1
Address: 0x0000 2072

RW	15	14	13	12	11	10	9	8	7	6	5	4	3	2	1	0
	CH3_BIT_PATT_1															
Default	0	0	0	0	0	0	0	0	0	0	0	0	0	0	0	0

Bits	Name	Description
15:0	CH3_BIT_PATT_1	Channel 3 SPI bit pattern for external gain control, bits 1-16. The contents of the bit pattern must be left-aligned such that the first bit for transmission is in the MSB. If the bit pattern is shorter than 16 bits, one or more of the LSBs is unused.

6.4.30 CH3_VOL_0
Address: 0x0000 2074

RW	15	14	13	12	11	10	9	8	7	6	5	4	3	2	1	0
	—				CH3_ANA_VOL											
Default	0	0	0	0	0	0	0	0	0	0	0	0	0	0	0	0

Bits	Name	Description
15:11	—	Reserved
10:0	CH3_ANA_VOL	Channel 3 analog gain. The selected value must match the analog gain of the associated SPI bit pattern. 0x000 = (Default) 0.000 dB 0x001 = 0.125 dB 0x002 = 0.250 dB ... 0x7FF = -0.125 dB 0x240–0x5BF = Reserved 0x5C0 = -72.000 dB

6.4.31 CH3_VOL_1
Address: 0x0000 2076

	15	14	13	12	11	10	9	8	7	6	5	4	3	2	1	0
	CH3_UPDATE	—							CH3_DIG_VOL							
Access	WO	—							RW							
Default	0	0	0	0	0	0	0	0	0	0	0	0	0	0	0	0

Bits	Name	Description
15	CH3_UPDATE	Channel 3 gain update. Write 1 to apply the Channel 3 gain selection and SPI bit pattern. The gain update is applied at the next scheduling opportunity, zero-cross aligned.
14:8	—	Reserved
7:0	CH3_DIG_VOL	Channel 3 digital gain. 0x00 = (Default) 0.000 dB 0x01 = 0.125 dB 0x02 = 0.250 dB ... 0x5F = 11.875 dB 0x60–0x9F = Reserved 0xA0 = -12.000 dB ... 0xFF = -0.125 dB

6.4.32 CH4_BIT_PATT_0
Address: 0x0000 2078

RW	15	14	13	12	11	10	9	8	7	6	5	4	3	2	1	0
	CH4_BIT_PATT_0															
Default	0	0	0	0	0	0	0	0	0	0	0	0	0	0	0	0

Bits	Name	Description
15:0	CH4_BIT_PATT_0	Channel 4 SPI bit pattern for external gain control, bits 17-32. Only used if the bit pattern is longer than 16 bits. The contents of the bit pattern must be left-aligned such that the first bit for transmission is in the MSB. If the bit pattern is shorter than 32 bits, one or more of the LSBs is unused.

6.4.33 CH4_BIT_PATT_1
Address: 0x0000 207A

RW	15	14	13	12	11	10	9	8	7	6	5	4	3	2	1	0
	CH4_BIT_PATT_1															
Default	0	0	0	0	0	0	0	0	0	0	0	0	0	0	0	0

Bits	Name	Description
15:0	CH4_BIT_PATT_1	Channel 4 SPI bit pattern for external gain control, bits 1-16. The contents of the bit pattern must be left-aligned such that the first bit for transmission is in the MSB. If the bit pattern is shorter than 16 bits, one or more of the LSBs is unused.

6.4.34 CH4_VOL_0
Address: 0x0000 207C

RW	15	14	13	12	11	10	9	8	7	6	5	4	3	2	1	0
	—				CH4_ANA_VOL											
Default	0	0	0	0	0	0	0	0	0	0	0	0	0	0	0	0

Bits	Name	Description
15:11	—	Reserved
10:0	CH4_ANA_VOL	Channel 4 analog gain. The selected value must match the analog gain of the associated SPI bit pattern. 0x000 = (Default) 0.000 dB 0x001 = 0.125 dB 0x002 = 0.250 dB ... 0x240–0x5BF = Reserved 0x5C0 = -72.000 dB ... 0x7FF = -0.125 dB

6.4.35 CH4_VOL_1
Address: 0x0000 207E

	15	14	13	12	11	10	9	8	7	6	5	4	3	2	1	0
	CH4_UPDATE	—							CH4_DIG_VOL							
Access	WO	—							RW							
Default	0	0	0	0	0	0	0	0	0	0	0	0	0	0	0	0

Bits	Name	Description
15	CH4_UPDATE	Channel 4 gain update. Write 1 to apply the Channel 4 gain selection and SPI bit pattern. The gain update is applied at the next scheduling opportunity, zero-cross aligned.
14:8	—	Reserved
7:0	CH4_DIG_VOL	Channel 4 digital gain. 0x00 = (Default) 0.000 dB 0x01 = 0.125 dB 0x02 = 0.250 dB ... 0x60–0x9F = Reserved 0xA0 = -12.000 dB ... 0x5F = 11.875 dB 0xFF = -0.125 dB

6.4.36 CH5_BIT_PATT_0
Address: 0x0000 2080

RW	15	14	13	12	11	10	9	8	7	6	5	4	3	2	1	0
	CH5_BIT_PATT_0															
Default	0	0	0	0	0	0	0	0	0	0	0	0	0	0	0	0

Bits	Name	Description
15:0	CH5_BIT_PATT_0	Channel 5 SPI bit pattern for external gain control, bits 17-32. Only used if the bit pattern is longer than 16 bits. The contents of the bit pattern must be left-aligned such that the first bit for transmission is in the MSB. If the bit pattern is shorter than 32 bits, one or more of the LSBs is unused.

6.4.37 CH5_BIT_PATT_1
Address: 0x0000 2082

RW	15	14	13	12	11	10	9	8	7	6	5	4	3	2	1	0
	CH5_BIT_PATT_1															
Default	0	0	0	0	0	0	0	0	0	0	0	0	0	0	0	0

Bits	Name	Description
15:0	CH5_BIT_PATT_1	Channel 5 SPI bit pattern for external gain control, bits 1-16. The contents of the bit pattern must be left-aligned such that the first bit for transmission is in the MSB. If the bit pattern is shorter than 16 bits, one or more of the LSBs is unused.

6.4.38 CH5_VOL_0
Address: 0x0000 2084

RW	15	14	13	12	11	10	9	8	7	6	5	4	3	2	1	0
	—				CH5_ANA_VOL											
Default	0	0	0	0	0	0	0	0	0	0	0	0	0	0	0	0

Bits	Name	Description
15:11	—	Reserved
10:0	CH5_ANA_VOL	Channel 5 analog gain. The selected value must match the analog gain of the associated SPI bit pattern. 0x000 = (Default) 0.000 dB 0x001 = 0.125 dB 0x002 = 0.250 dB ... 0x7FF = -0.125 dB 0x240–0x5BF = Reserved 0x5C0 = -72.000 dB

6.4.39 CH5_VOL_1
Address: 0x0000 2086

	15	14	13	12	11	10	9	8	7	6	5	4	3	2	1	0
	CH5_UPDATE	—							CH5_DIG_VOL							
Access	WO	—							RW							
Default	0	0	0	0	0	0	0	0	0	0	0	0	0	0	0	0

Bits	Name	Description
15	CH5_UPDATE	Channel 5 gain update. Write 1 to apply the Channel 5 gain selection and SPI bit pattern. The gain update is applied at the next scheduling opportunity, zero-cross aligned.
14:8	—	Reserved
7:0	CH5_DIG_VOL	Channel 5 digital gain. 0x00 = (Default) 0.000 dB 0x01 = 0.125 dB 0x02 = 0.250 dB ... 0x5F = 11.875 dB 0x60–0x9F = Reserved 0xA0 = -12.000 dB ... 0xFF = -0.125 dB

6.4.40 CH6_BIT_PATT_0
Address: 0x0000 2088

RW	15	14	13	12	11	10	9	8	7	6	5	4	3	2	1	0
	CH6_BIT_PATT_0															
Default	0	0	0	0	0	0	0	0	0	0	0	0	0	0	0	0

Bits	Name	Description
15:0	CH6_BIT_PATT_0	Channel 6 SPI bit pattern for external gain control, bits 17-32. Only used if the bit pattern is longer than 16 bits. The contents of the bit pattern must be left-aligned such that the first bit for transmission is in the MSB. If the bit pattern is shorter than 32 bits, one or more of the LSBs is unused.

6.4.41 CH6_BIT_PATT_1
Address: 0x0000 208A

RW	15	14	13	12	11	10	9	8	7	6	5	4	3	2	1	0
	CH6_BIT_PATT_1															
Default	0	0	0	0	0	0	0	0	0	0	0	0	0	0	0	0

Bits	Name	Description
15:0	CH6_BIT_PATT_1	Channel 6 SPI bit pattern for external gain control, bits 1-16. The contents of the bit pattern must be left-aligned such that the first bit for transmission is in the MSB. If the bit pattern is shorter than 16 bits, one or more of the LSBs is unused.

6.4.42 CH6_VOL_0
Address: 0x0000 208C

RW	15	14	13	12	11	10	9	8	7	6	5	4	3	2	1	0
	—				CH6_ANA_VOL											
Default	0	0	0	0	0	0	0	0	0	0	0	0	0	0	0	0

Bits	Name	Description
15:11	—	Reserved
10:0	CH6_ANA_VOL	Channel 6 analog gain. The selected value must match the analog gain of the associated SPI bit pattern. 0x000 = (Default) 0.000 dB 0x001 = 0.125 dB 0x002 = 0.250 dB ... 0x240–0x5BF = Reserved 0x5C0 = -72.000 dB ... 0x7FF = -0.125 dB

6.4.43 CH6_VOL_1
Address: 0x0000 208E

	15	14	13	12	11	10	9	8	7	6	5	4	3	2	1	0
	CH6_UPDATE	—							CH6_DIG_VOL							
Access	WO	—							RW							
Default	0	0	0	0	0	0	0	0	0	0	0	0	0	0	0	0

Bits	Name	Description
15	CH6_UPDATE	Channel 6 gain update. Write 1 to apply the Channel 6 gain selection and SPI bit pattern. The gain update is applied at the next scheduling opportunity, zero-cross aligned.
14:8	—	Reserved
7:0	CH6_DIG_VOL	Channel 6 digital gain. 0x00 = (Default) 0.000 dB 0x01 = 0.125 dB 0x02 = 0.250 dB ... 0x60–0x9F = Reserved 0xA0 = -12.000 dB ... 0xFF = -0.125 dB

6.4.44 CH7_BIT_PATT_0
Address: 0x0000 2090

RW	15	14	13	12	11	10	9	8	7	6	5	4	3	2	1	0
	CH7_BIT_PATT_0															
Default	0	0	0	0	0	0	0	0	0	0	0	0	0	0	0	0

Bits	Name	Description
15:0	CH7_BIT_PATT_0	Channel 7 SPI bit pattern for external gain control, bits 17-32. Only used if the bit pattern is longer than 16 bits. The contents of the bit pattern must be left-aligned such that the first bit for transmission is in the MSB. If the bit pattern is shorter than 32 bits, one or more of the LSBs is unused.

6.4.45 CH7_BIT_PATT_1
Address: 0x0000 2092

RW	15	14	13	12	11	10	9	8	7	6	5	4	3	2	1	0
	CH7_BIT_PATT_1															
Default	0	0	0	0	0	0	0	0	0	0	0	0	0	0	0	0

Bits	Name	Description
15:0	CH7_BIT_PATT_1	Channel 7 SPI bit pattern for external gain control, bits 1-16. The contents of the bit pattern must be left-aligned such that the first bit for transmission is in the MSB. If the bit pattern is shorter than 16 bits, one or more of the LSBs is unused.

6.4.46 CH7_VOL_0
Address: 0x0000 2094

RW	15	14	13	12	11	10	9	8	7	6	5	4	3	2	1	0
	—				CH7_ANA_VOL											
Default	0	0	0	0	0	0	0	0	0	0	0	0	0	0	0	0

Bits	Name	Description
15:11	—	Reserved
10:0	CH7_ANA_VOL	Channel 7 analog gain. The selected value must match the analog gain of the associated SPI bit pattern. 0x000 = (Default) 0.000 dB 0x001 = 0.125 dB 0x002 = 0.250 dB ... 0x240–0x5BF = Reserved 0x5C0 = -72.000 dB ... 0x7FF = -0.125 dB

6.4.47 CH7_VOL_1
Address: 0x0000 2096

	15	14	13	12	11	10	9	8	7	6	5	4	3	2	1	0
	CH7_UPDATE	—							CH7_DIG_VOL							
Access	WO	—							RW							
Default	0	0	0	0	0	0	0	0	0	0	0	0	0	0	0	0

Bits	Name	Description
15	CH7_UPDATE	Channel 7 gain update. Write 1 to apply the Channel 7 gain selection and SPI bit pattern. The gain update is applied at the next scheduling opportunity, zero-cross aligned.
14:8	—	Reserved
7:0	CH7_DIG_VOL	Channel 7 digital gain. 0x00 = (Default) 0.000 dB 0x01 = 0.125 dB 0x02 = 0.250 dB ... 0x60–0x9F = Reserved 0xA0 = -12.000 dB ... 0xFF = -0.125 dB

6.4.48 CH8_BIT_PATT_0
Address: 0x0000 2098

RW	15	14	13	12	11	10	9	8	7	6	5	4	3	2	1	0
	CH8_BIT_PATT_0															
Default	0	0	0	0	0	0	0	0	0	0	0	0	0	0	0	0

Bits	Name	Description
15:0	CH8_BIT_PATT_0	Channel 8 SPI bit pattern for external gain control, bits 17-32. Only used if the bit pattern is longer than 16 bits. The contents of the bit pattern must be left-aligned such that the first bit for transmission is in the MSB. If the bit pattern is shorter than 32 bits, one or more of the LSBs is unused.

6.4.49 CH8_BIT_PATT_1
Address: 0x0000 209A

RW	15	14	13	12	11	10	9	8	7	6	5	4	3	2	1	0
	CH8_BIT_PATT_1															
Default	0	0	0	0	0	0	0	0	0	0	0	0	0	0	0	0

Bits	Name	Description
15:0	CH8_BIT_PATT_1	Channel 8 SPI bit pattern for external gain control, bits 1-16. The contents of the bit pattern must be left-aligned such that the first bit for transmission is in the MSB. If the bit pattern is shorter than 16 bits, one or more of the LSBs is unused.

6.4.50 CH8_VOL_0
Address: 0x0000 209C

RW	15	14	13	12	11	10	9	8	7	6	5	4	3	2	1	0
	—				CH8_ANA_VOL											
Default	0	0	0	0	0	0	0	0	0	0	0	0	0	0	0	0

Bits	Name	Description
15:11	—	Reserved
10:0	CH8_ANA_VOL	Channel 8 analog gain. The selected value must match the analog gain of the associated SPI bit pattern. 0x000 = (Default) 0.000 dB 0x001 = 0.125 dB 0x002 = 0.250 dB ... 0x240–0x5BF = Reserved 0x5C0 = –72.000 dB ... 0x7FF = –0.125 dB

6.4.51 CH8_VOL_1
Address: 0x0000 209E

	15	14	13	12	11	10	9	8	7	6	5	4	3	2	1	0
	CH8_UPDATE	—							CH8_DIG_VOL							
Access	WO	—							RW							
Default	0	0	0	0	0	0	0	0	0	0	0	0	0	0	0	0

Bits	Name	Description
15	CH8_UPDATE	Channel 8 gain update. Write 1 to apply the Channel 8 gain selection and SPI bit pattern. The gain update is applied at the next scheduling opportunity, zero-cross aligned.
14:8	—	Reserved
7:0	CH8_DIG_VOL	Channel 8 digital gain. 0x00 = (Default) 0.000 dB 0x01 = 0.125 dB 0x02 = 0.250 dB ... 0x60–0x9F = Reserved 0xA0 = –12.000 dB ... 0x5F = 11.875 dB 0xFF = –0.125 dB

6.4.52 AUX1_BIT_PATT_0
Address: 0x0000 20A0

RW	15	14	13	12	11	10	9	8	7	6	5	4	3	2	1	0
	AUX1_BIT_PATT_0															
Default	0	0	0	0	0	0	0	0	0	0	0	0	0	0	0	0

Bits	Name	Description
15:0	AUX1_BIT_PATT_0	Auxiliary 1 SPI bit pattern for external gain control, bits 17-32. Only used if the bit pattern is longer than 16 bits. The contents of the bit pattern must be left-aligned such that the first bit for transmission is in the MSB. If the bit pattern is shorter than 32 bits, one or more of the LSBs is unused.

6.4.53 AUX1_BIT_PATT_1
Address: 0x0000 20A2

RW	15	14	13	12	11	10	9	8	7	6	5	4	3	2	1	0
	AUX1_BIT_PATT_1															
Default	0	0	0	0	0	0	0	0	0	0	0	0	0	0	0	0

Bits	Name	Description
15:0	AUX1_BIT_PATT_1	Auxiliary 1 SPI bit pattern for external gain control, bits 1-16. The contents of the bit pattern must be left-aligned such that the first bit for transmission is in the MSB. If the bit pattern is shorter than 16 bits, one or more of the LSBs is unused.

6.4.54 AUX2_BIT_PATT_0
Address: 0x0000 20A4

RW	15	14	13	12	11	10	9	8	7	6	5	4	3	2	1	0
	AUX2_BIT_PATT_0															
Default	0	0	0	0	0	0	0	0	0	0	0	0	0	0	0	0

Bits	Name	Description
15:0	AUX2_BIT_PATT_0	Auxiliary 2 SPI bit pattern for external gain control, bits 17-32. Only used if the bit pattern is longer than 16 bits. The contents of the bit pattern must be left-aligned such that the first bit for transmission is in the MSB. If the bit pattern is shorter than 32 bits, one or more of the LSBs is unused.

6.4.55 AUX2_BIT_PATT_1
Address: 0x0000 20A6

RW	15	14	13	12	11	10	9	8	7	6	5	4	3	2	1	0
	AUX2_BIT_PATT_1															
Default	0	0	0	0	0	0	0	0	0	0	0	0	0	0	0	0

Bits	Name	Description
15:0	AUX2_BIT_PATT_1	Auxiliary 2 SPI bit pattern for external gain control, bits 1-16. The contents of the bit pattern must be left-aligned such that the first bit for transmission is in the MSB. If the bit pattern is shorter than 16 bits, one or more of the LSBs is unused.

6.5 PIN_CONFIG
6.5.1 PAD_CLIP
Address: 0x0000 3D1C

RW	15	14	13	12	11	10	9	8	7	6	5	4	3	2	1	0
	CLIP_OP_CFG	—							CONFIG4_CLIP_EN	CONFIG3_CLIP_EN	CONFIG2_CLIP_EN	—	SPI_CS_CLIP_EN	ASP_DOUT4_CLIP_EN	ASP_DOUT3_CLIP_EN	ASP_DOUT2_CLIP_EN
Default	0	0	0	0	0	0	0	0	0	0	0	0	0	0	0	0

Bits	Name	Description
15	CLIP_OP_CFG	Clip-detect output configuration 0 = (Default) CMOS 1 = Open drain
14:8	—	Reserved
7	CONFIG4_CLIP_EN	CONFIG4 pin function select 0 = (Default) HW config 1 = Clip-detect output
6	CONFIG3_CLIP_EN	CONFIG3 pin function select 0 = (Default) HW config 1 = Clip-detect output
5	CONFIG2_CLIP_EN	CONFIG2 pin function select 0 = (Default) HW config 1 = Clip-detect output
4	—	Reserved
3	SPI_CS_CLIP_EN	SPI_CS pin function select 0 = (Default) SPI_CS 1 = Clip-detect output

Bits	Name	Description
2	ASP_DOUT4_CLIP_EN	ASP_DOUT4 pin function select 0 = (Default) ASP_DOUT4 1 = Clip-detect output
1	ASP_DOUT3_CLIP_EN	ASP_DOUT3 pin function select 0 = (Default) ASP_DOUT3 1 = Clip-detect output
0	ASP_DOUT2_CLIP_EN	ASP_DOUT2 pin function select 0 = (Default) ASP_DOUT2 1 = Clip-detect output

6.5.2 PAD_HGC_SPI

Address: 0x000 3D20

RW	15...8	7	6	5	4	3	2	1	0
	—				—				HGC_SPI_EN
Default	0x00	0	0	0	0	0	0	0	0

Bits	Name	Description
15:1	—	Reserved
0	HGC_SPI_EN	HGC pin function select. Set this bit to enable the HGC function on the CONFIG2, CONFIG3, and CONFIG4 pins

6.5.3 PAD_FN

Address: 0x000 3D24

RW	15	14	13	12	11	10	9	8	7	6	5	4	3	2	1	0
				—			CONFIG5_FN	CONFIG4_FN	CONFIG3_FN	CONFIG2_FN	—	SPI_SCK_FN	SPI_CS_FN	ASP_DOUT4_FN	ASP_DOUT3_FN	ASP_DOUT2_FN
Default	0	0	0	0	0	0	0	0	0	0	0	0	0	0	0	0

Bits	Name	Description
15:10	—	Reserved
9	CONFIG5_FN	CONFIG5 pin function select 0 = (Default) HW config 1 = GP output
8	CONFIG4_FN	CONFIG4 pin function select 0 = (Default) HW config/HGC_CS 1 = GP output
7	CONFIG3_FN	CONFIG3 pin function select 0 = (Default) HW config/HGC_SDO 1 = GP output
6	CONFIG2_FN	CONFIG2 pin function select 0 = (Default) HW config/HGC_SCK 1 = GP output
5	—	Reserved
4	SPI_SCK_FN	SPI_SCK pin function select 0 = (Default) SPI_SCK 1 = GP output
3	SPI_CS_FN	SPI_CS pin function select 0 = (Default) SPI_CS 1 = GP output
2	ASP_DOUT4_FN	ASP_DOUT4 pin function select 0 = (Default) ASP_DOUT4 1 = GP output
1	ASP_DOUT3_FN	ASP_DOUT3 pin function select 0 = (Default) ASP_DOUT3 1 = GP output
0	ASP_DOUT2_FN	ASP_DOUT2 pin function select 0 = (Default) ASP_DOUT2 1 = GP output

6.5.4 PAD_LVL
Address: 0x0000 3D28

RW	15	14	13	12	11	10	9	8	7	6	5	4	3	2	1	0
	—						CONFIG5_LVL	CONFIG4_LVL	CONFIG3_LVL	CONFIG2_LVL	—	SPI_SCK_LVL	SPI_CS_LVL	ASP_DOUT4_LVL	ASP_DOUT3_LVL	ASP_DOUT2_LVL
Default	0	0	0	0	0	0	0	0	0	0	0	0	0	0	0	0

Bits	Name	Description
15:10	—	Reserved
9	CONFIG5_LVL	CONFIG5 output level. Sets the output level if CONFIG5 is configured as GP output. 0 = (Default) Logic 0 1 = Logic 1
8	CONFIG4_LVL	CONFIG4 output level. Sets the output level if CONFIG4 is configured as GP output. 0 = (Default) Logic 0 1 = Logic 1
7	CONFIG3_LVL	CONFIG3 output level. Sets the output level if CONFIG3 is configured as GP output. 0 = (Default) Logic 0 1 = Logic 1
6	CONFIG2_LVL	CONFIG2 output level. Sets the output level if CONFIG2 is configured as GP output. 0 = (Default) Logic 0 1 = Logic 1
5	—	Reserved
4	SPI_SCK_LVL	SPI_SCK output level. Sets the output level if SPI_SCK is configured as GP output. 0 = (Default) Logic 0 1 = Logic 1
3	SPI_CS_LVL	SPI_CS output level. Sets the output level if SPI_CS is configured as GP output. 0 = (Default) Logic 0 1 = Logic 1
2	ASP_DOUT4_LVL	ASP_DOUT4 output level. Sets the output level if ASP_DOUT4 is configured as GP output. 0 = (Default) Logic 0 1 = Logic 1
1	ASP_DOUT3_LVL	ASP_DOUT3 output level. Sets the output level if ASP_DOUT3 is configured as GP output. 0 = (Default) Logic 0 1 = Logic 1
0	ASP_DOUT2_LVL	ASP_DOUT2 output level. Sets the output level if ASP_DOUT2 is configured as GP output. 0 = (Default) Logic 0 1 = Logic 1

6.6 CLIP_DETECT
6.6.1 CLIP_WARN
Address: 0x0000 3E1C

RW	15	14	13	12	11	10	9	8	7	6	5	4	3	2	1	0
	—							IN8_CLIP_WARN	IN7_CLIP_WARN	IN6_CLIP_WARN	IN5_CLIP_WARN	IN4_CLIP_WARN	IN3_CLIP_WARN	IN2_CLIP_WARN	IN1_CLIP_WARN	—
Default	0	0	0	0	0	0	0	0	0	0	0	0	0	0	0	0

Bits	Name	Description
15:9	—	Reserved
8	IN8_CLIP_WARN	Channel 8 clip-detect indication. Rising edge triggered. Write 1 to clear. 0 = (Default) Normal 1 = Clip detect
7	IN7_CLIP_WARN	Channel 7 clip-detect indication. Rising edge triggered. Write 1 to clear. 0 = (Default) Normal 1 = Clip detect
6	IN6_CLIP_WARN	Channel 6 clip-detect indication. Rising edge triggered. Write 1 to clear. 0 = (Default) Normal 1 = Clip detect

Bits	Name	Description
5	IN5_CLIP_WARN	Channel 5 clip-detect indication. Rising edge triggered. Write 1 to clear. 0 = (Default) Normal 1 = Clip detect
4	IN4_CLIP_WARN	Channel 4 clip-detect indication. Rising edge triggered. Write 1 to clear. 0 = (Default) Normal 1 = Clip detect
3	IN3_CLIP_WARN	Channel 3 clip-detect indication. Rising edge triggered. Write 1 to clear. 0 = (Default) Normal 1 = Clip detect
2	IN2_CLIP_WARN	Channel 2 clip-detect indication. Rising edge triggered. Write 1 to clear. 0 = (Default) Normal 1 = Clip detect
1	IN1_CLIP_WARN	Channel 1 clip-detect indication. Rising edge triggered. Write 1 to clear. 0 = (Default) Normal 1 = Clip detect
0	—	Reserved

7 Performance Plots

7.1 ADC Filter Response

The ADC filter performance is described in this section. Note the group-delay plots represent the filter only—see [Table 3-5](#) for full-path latency.

ADC Filter Response—Fast Roll-Off, 32 kHz Sample Rate

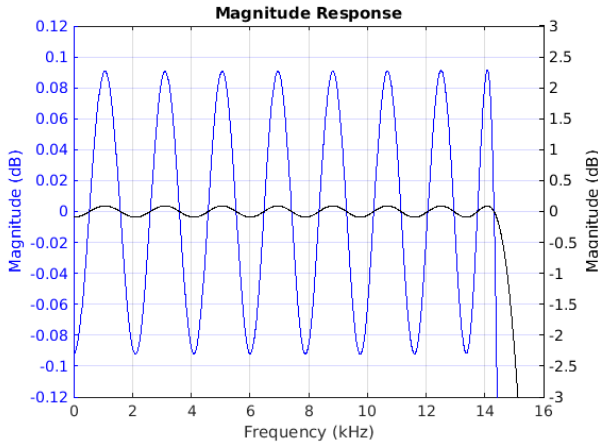


Figure 7-1. Passband Magnitude

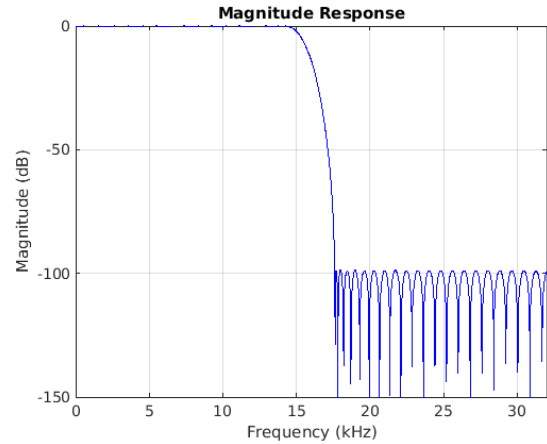


Figure 7-2. Stopband Magnitude

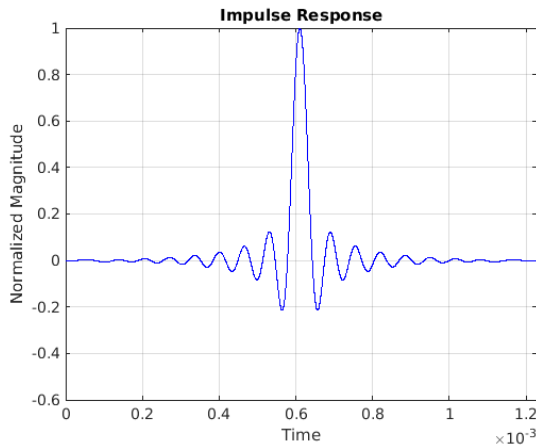


Figure 7-3. Impulse Response—Linear Phase

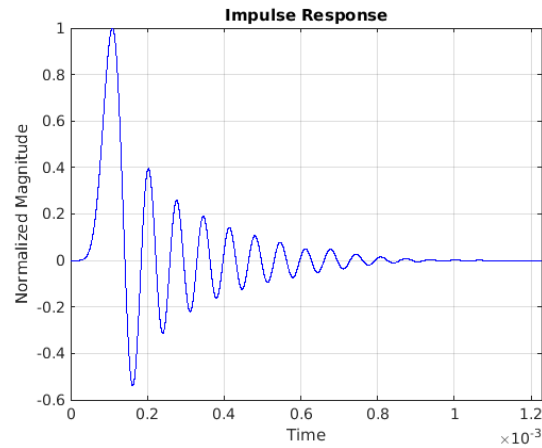


Figure 7-4. Impulse Response—Minimum Phase

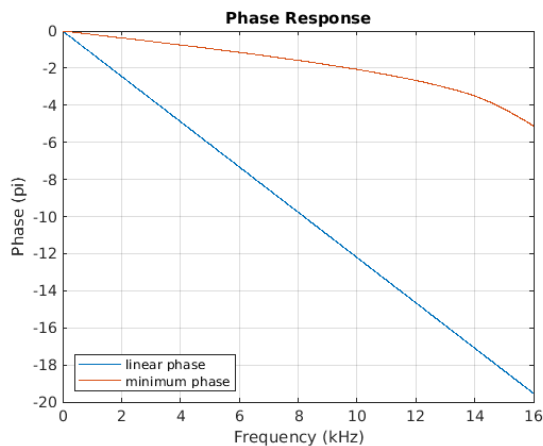


Figure 7-5. Phase vs. Frequency

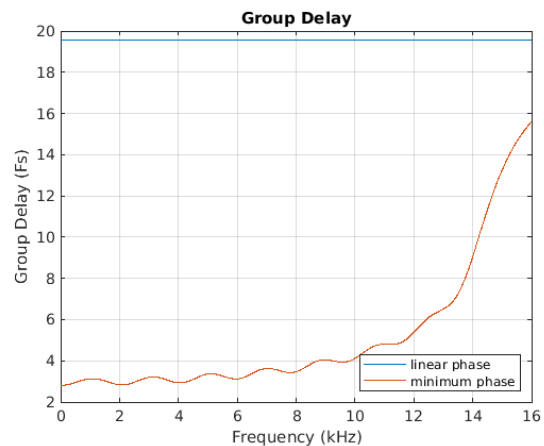
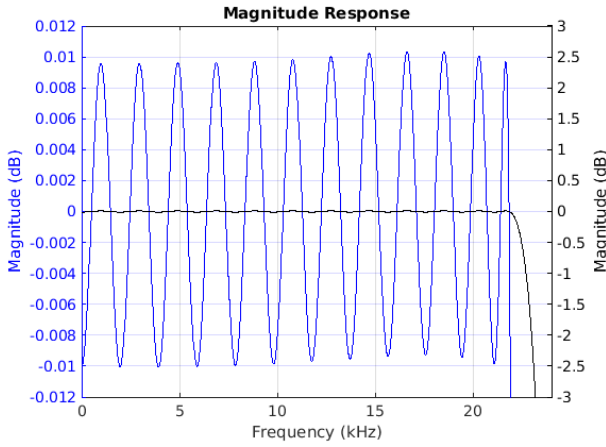
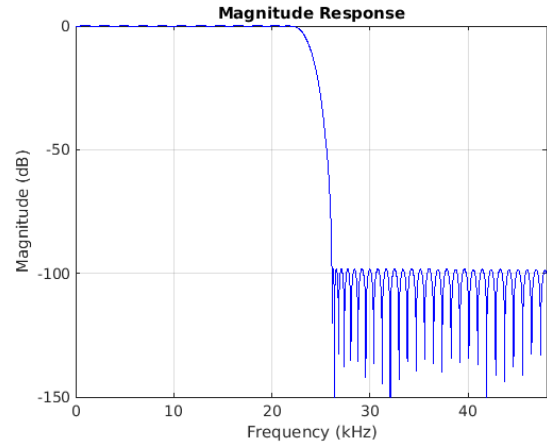
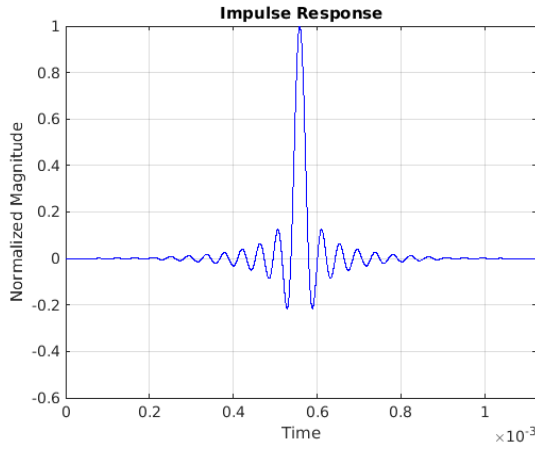
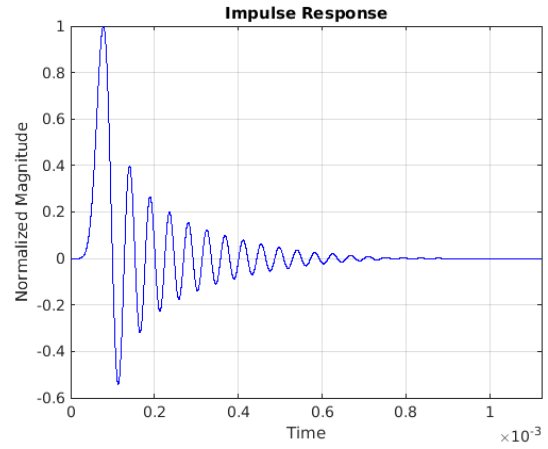
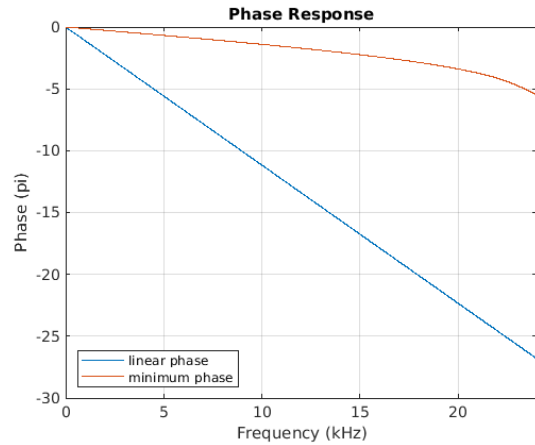
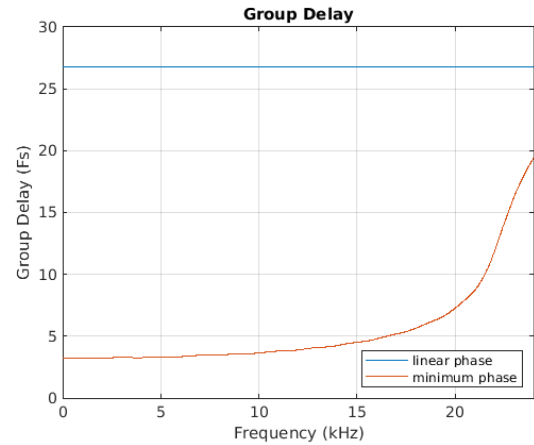
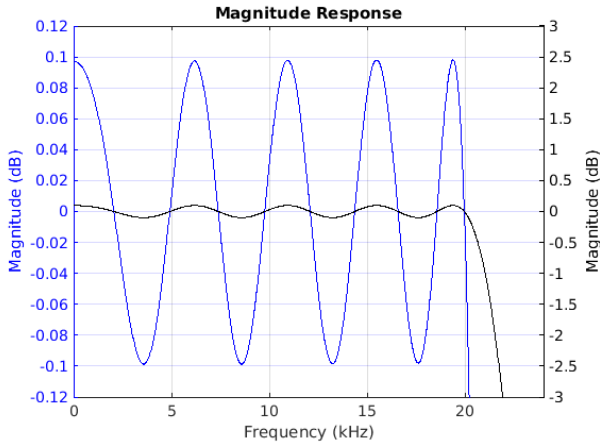
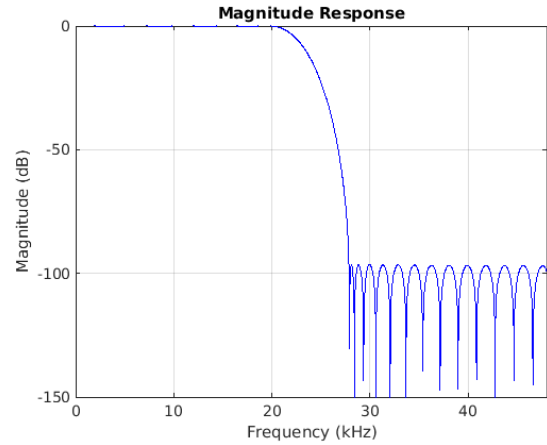
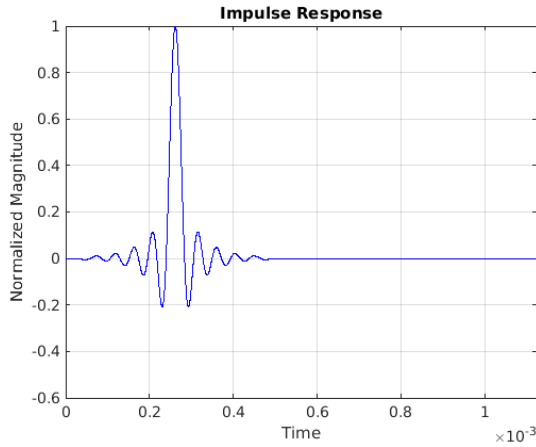
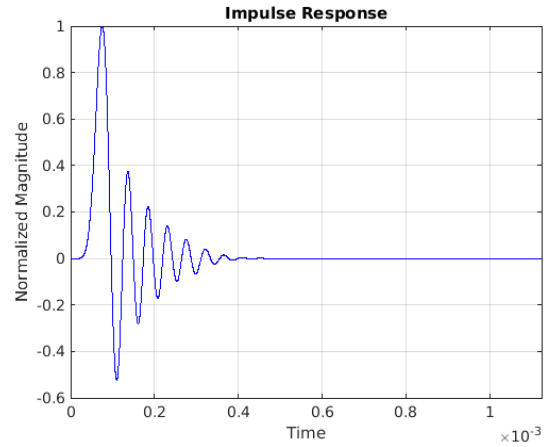
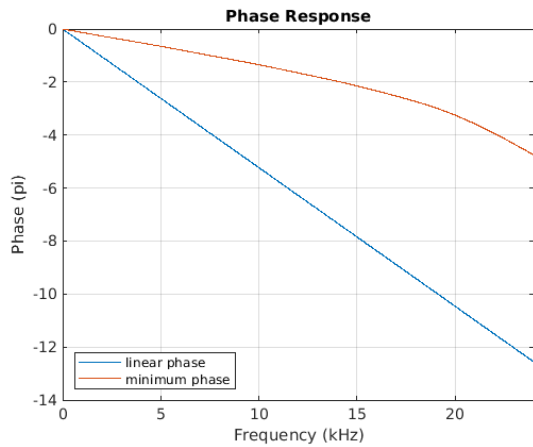
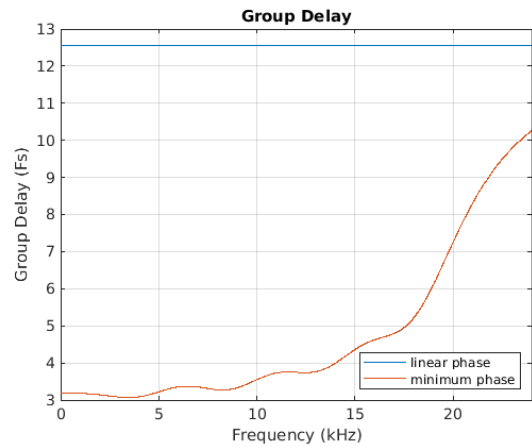
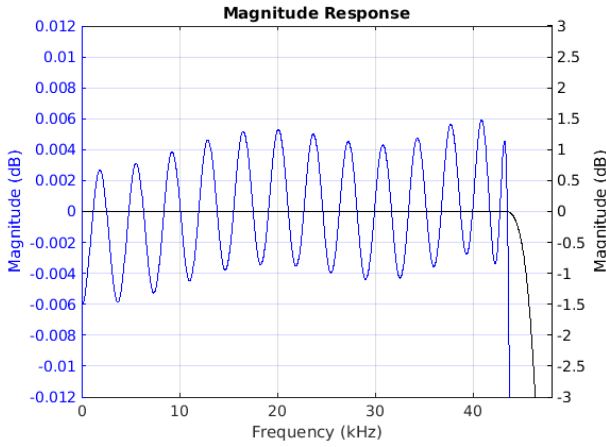
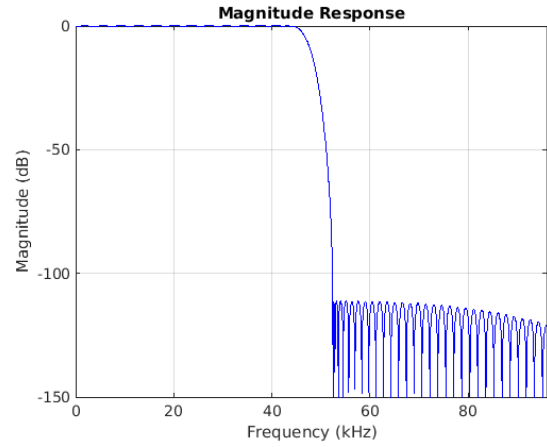
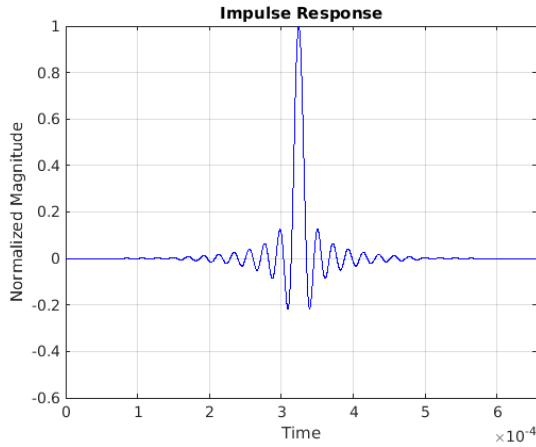
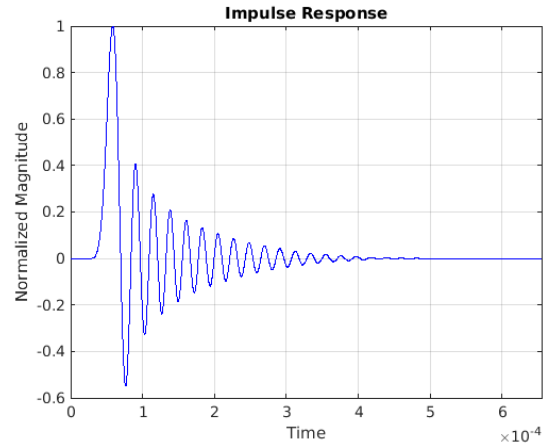
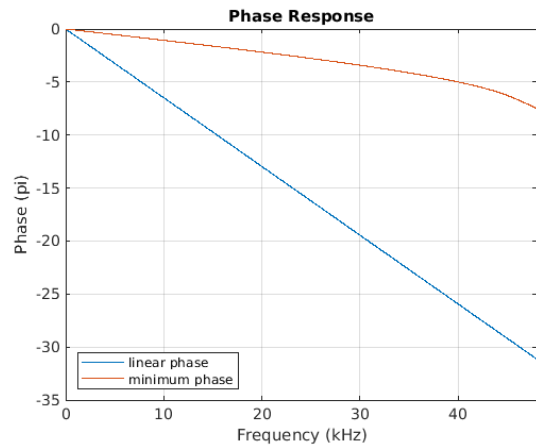
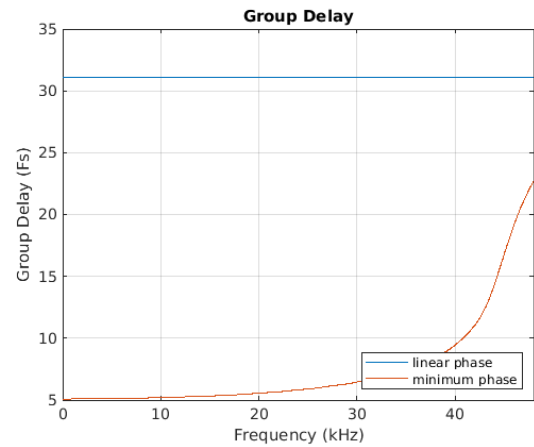
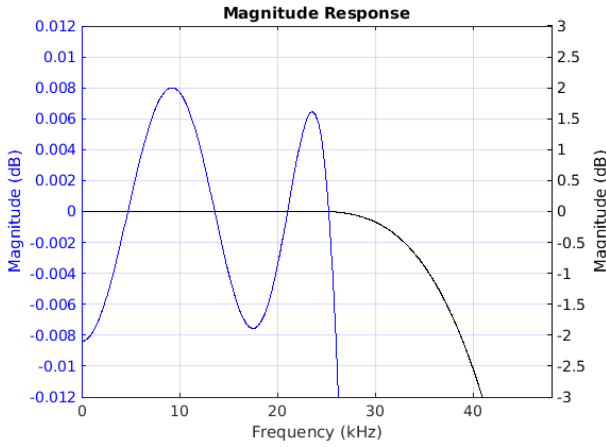
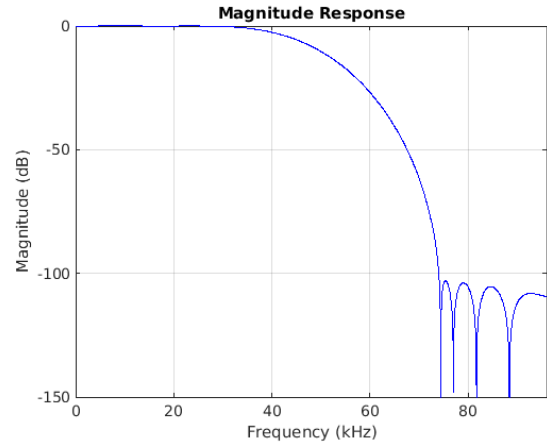
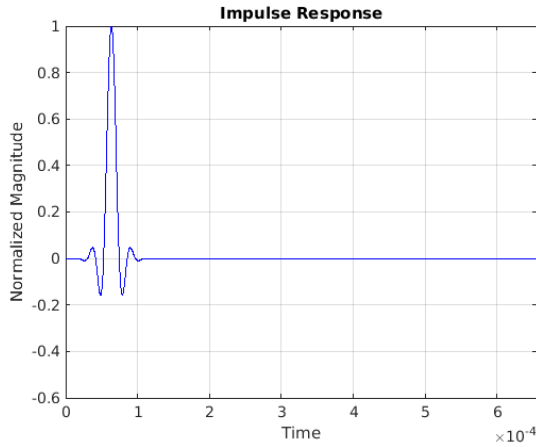
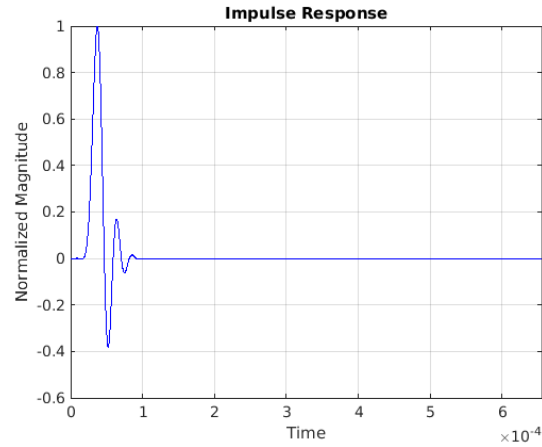
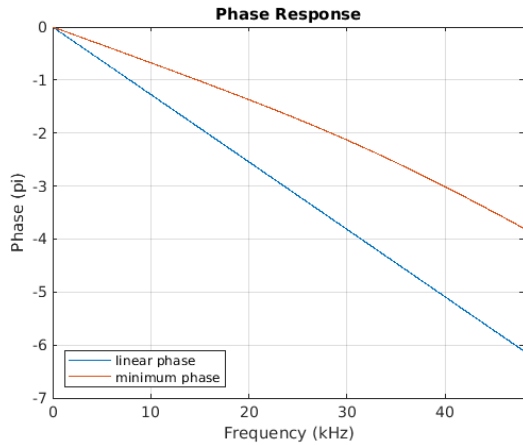
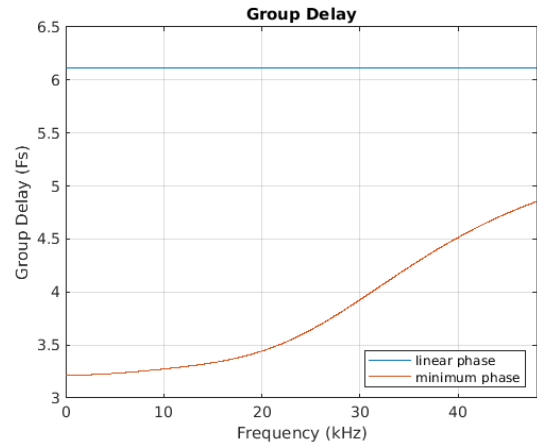


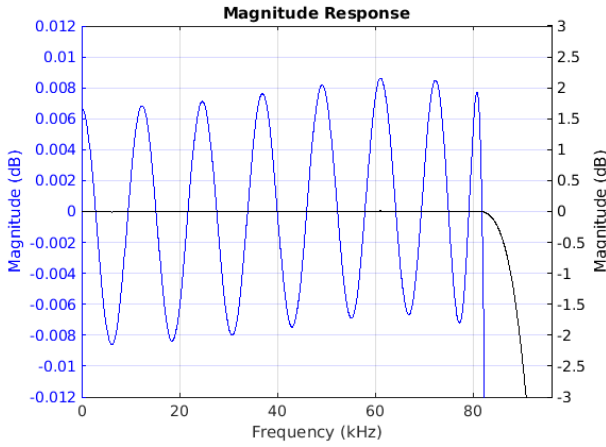
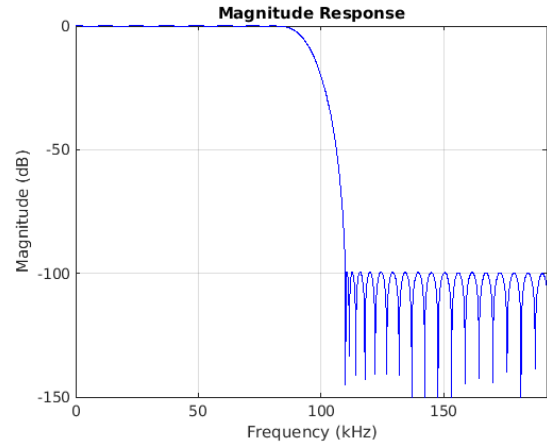
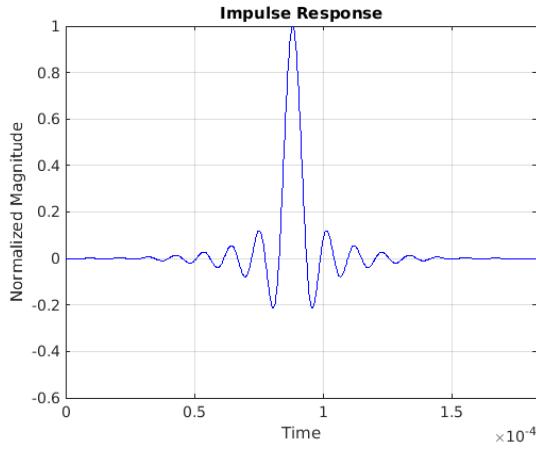
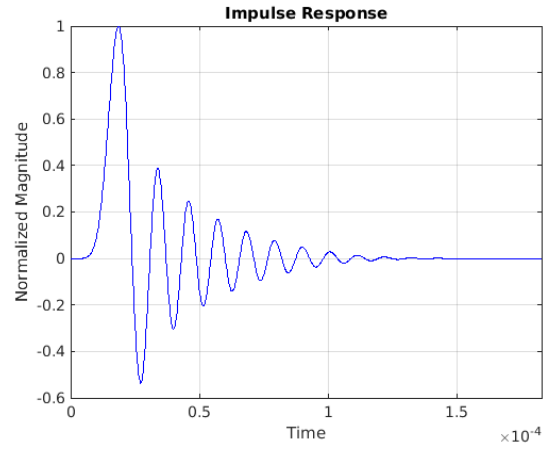
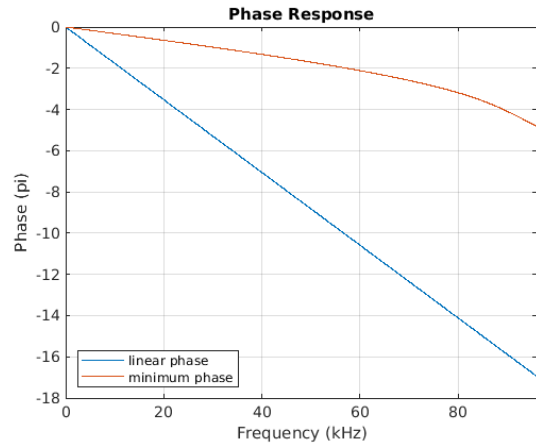
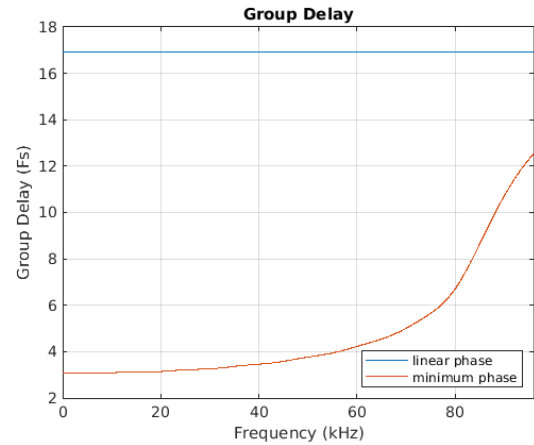
Figure 7-6. Group Delay vs. Frequency

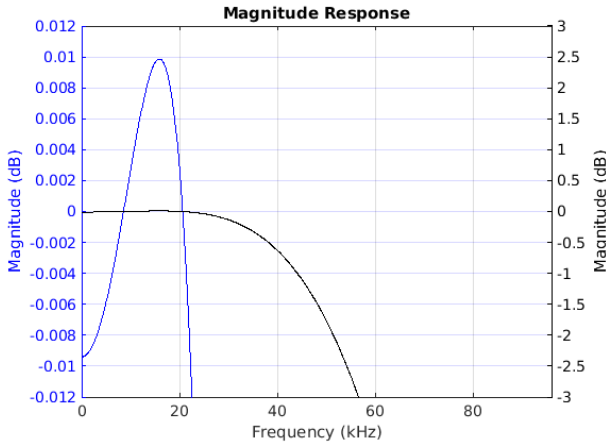
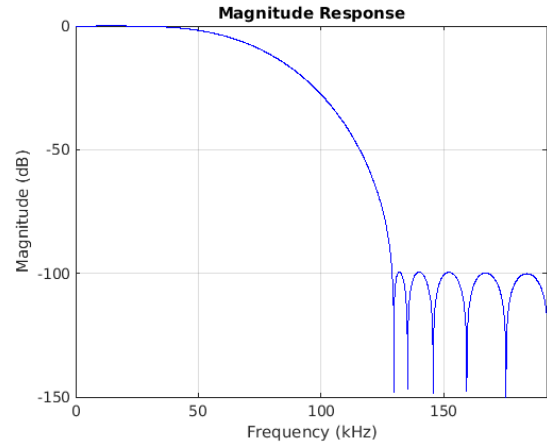
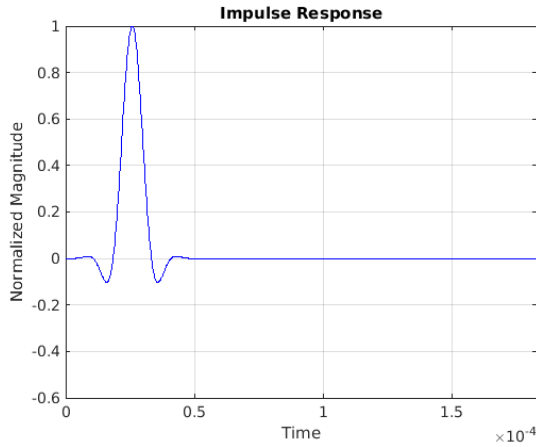
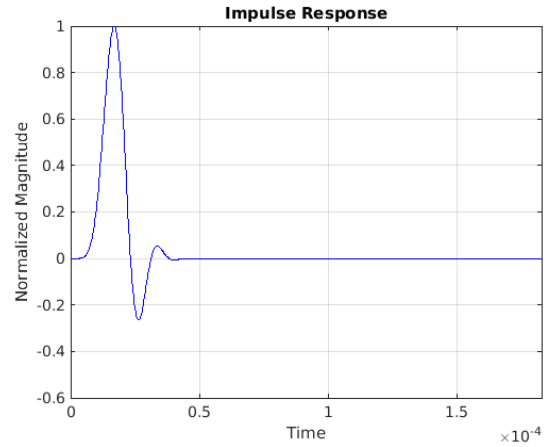
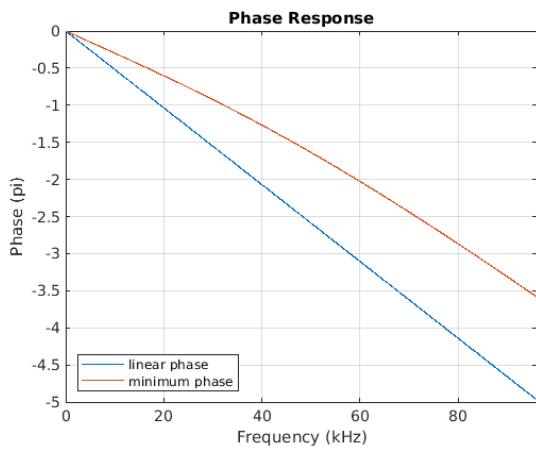
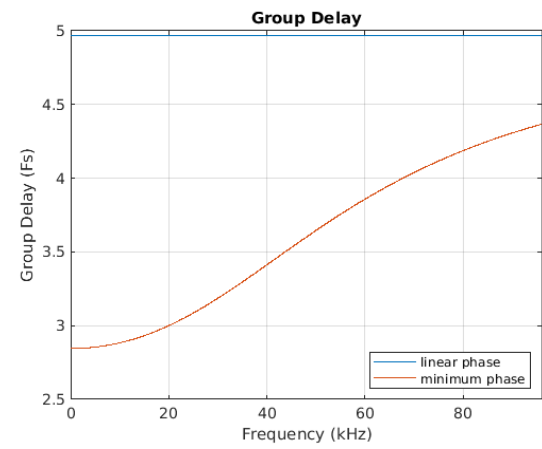
ADC Filter Response—Fast Roll-Off, 48 kHz Sample Rate

Figure 7-7. Passband Magnitude

Figure 7-8. Stopband Magnitude

Figure 7-9. Impulse Response—Linear Phase

Figure 7-10. Impulse Response—Minimum Phase

Figure 7-11. Phase vs. Frequency

Figure 7-12. Group Delay vs. Frequency

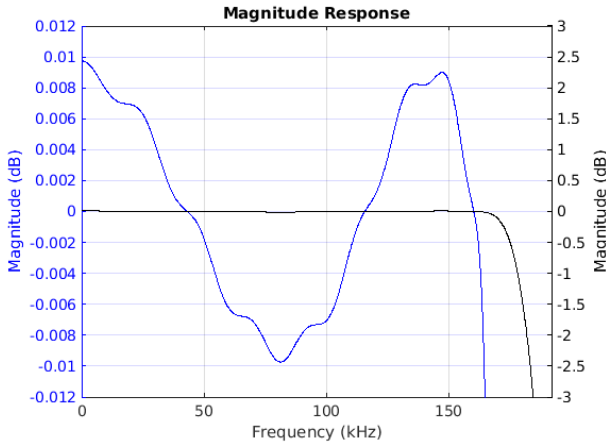
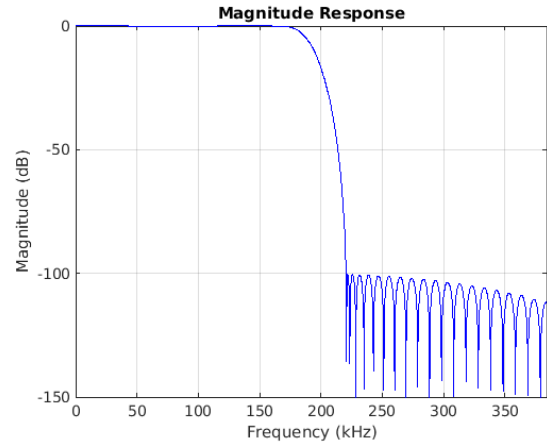
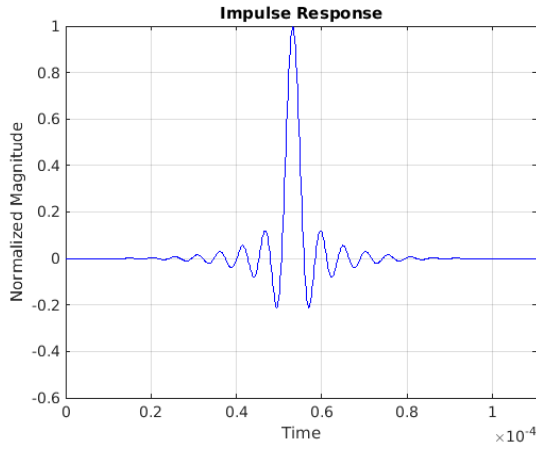
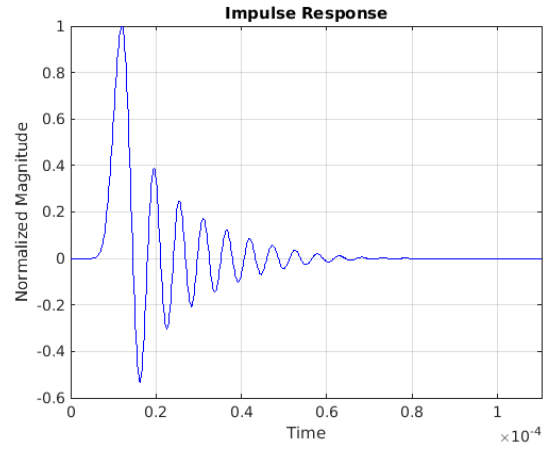
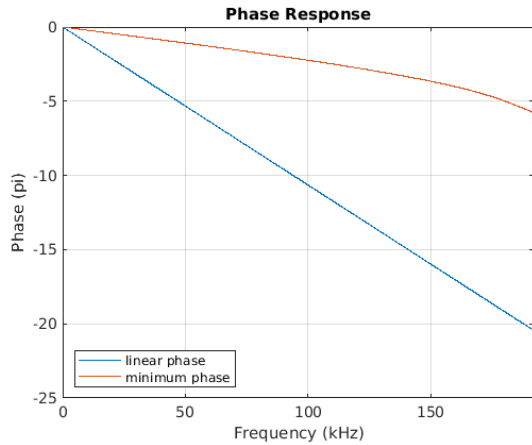
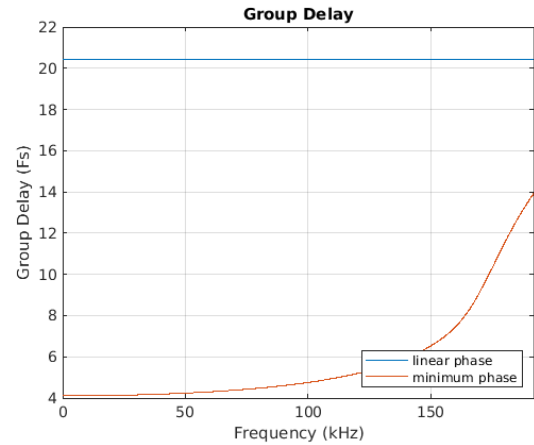
ADC Filter Response—Slow Roll-Off, 48 kHz Sample Rate

Figure 7-13. Passband Magnitude

Figure 7-14. Stopband Magnitude

Figure 7-15. Impulse Response—Linear Phase

Figure 7-16. Impulse Response—Minimum Phase

Figure 7-17. Phase vs. Frequency

Figure 7-18. Group Delay vs. Frequency

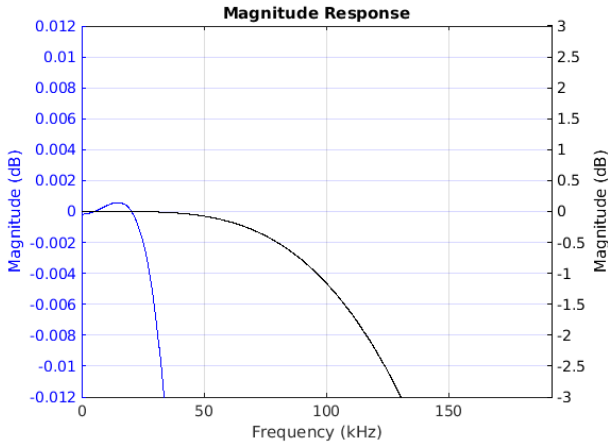
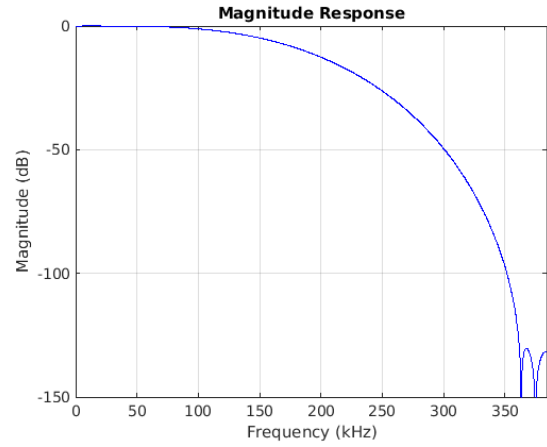
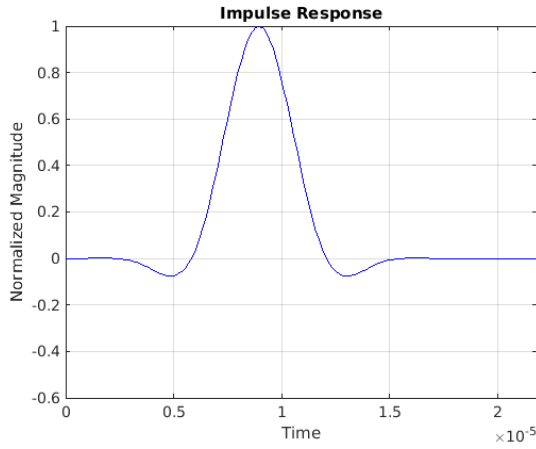
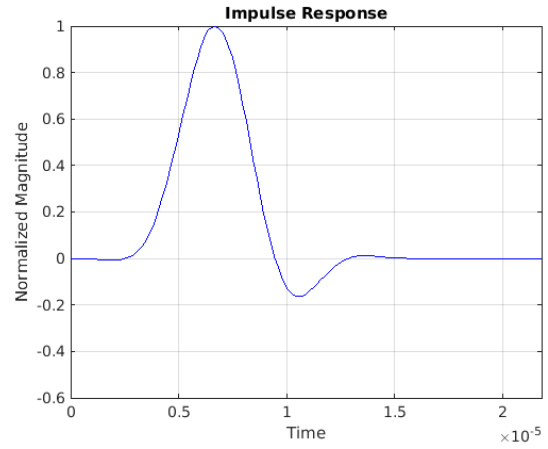
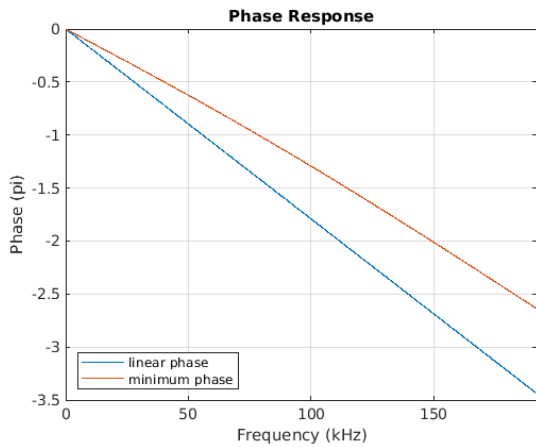
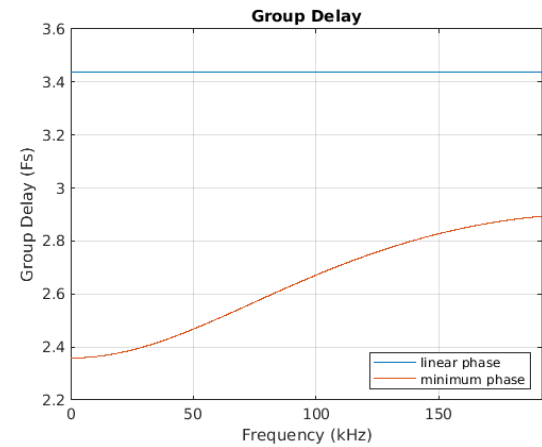
ADC Filter Response—Fast Roll-Off, 96 kHz Sample Rate

Figure 7-19. Passband Magnitude

Figure 7-20. Stopband Magnitude

Figure 7-21. Impulse Response—Linear Phase

Figure 7-22. Impulse Response—Minimum Phase

Figure 7-23. Phase vs. Frequency

Figure 7-24. Group Delay vs. Frequency

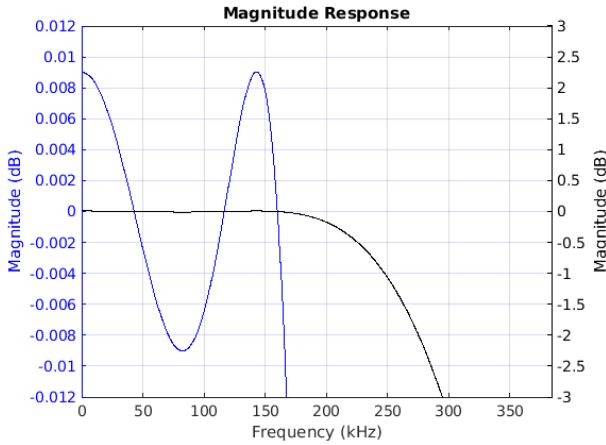
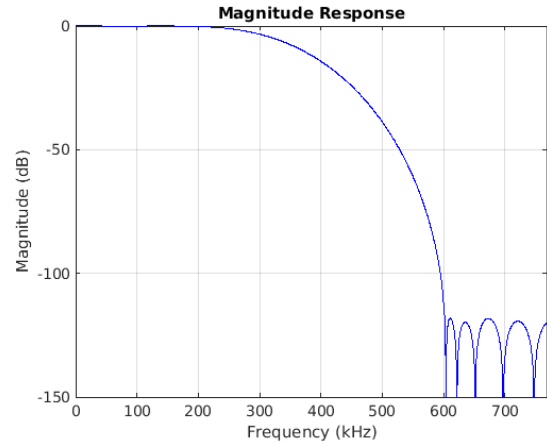
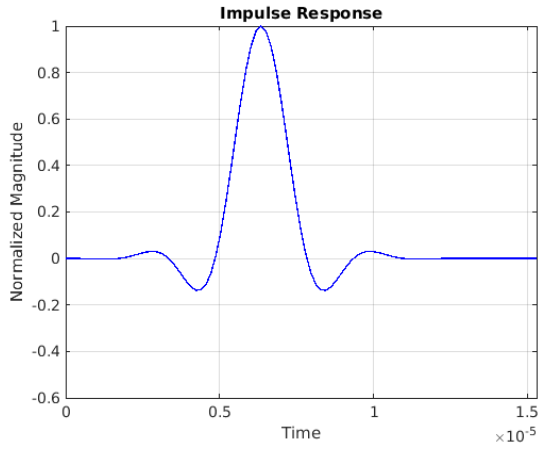
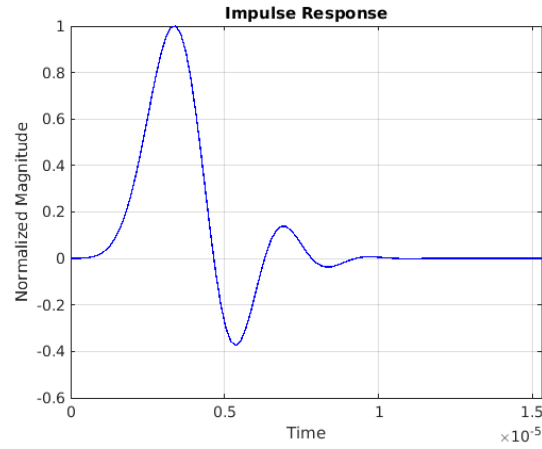
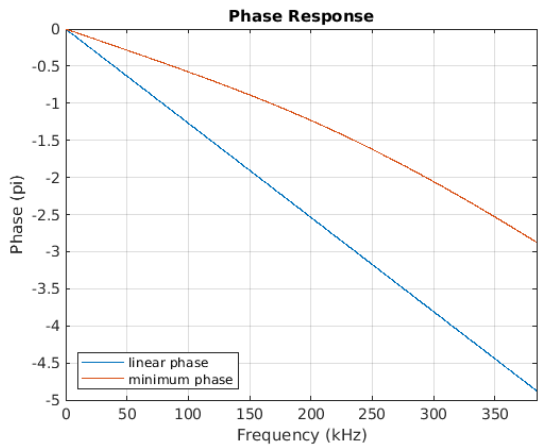
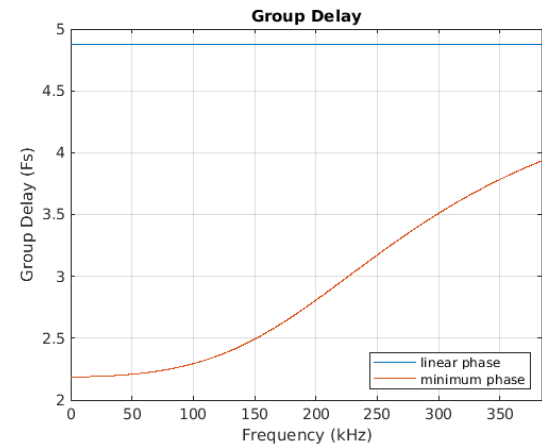
ADC Filter Response—Slow Roll-Off, 96 kHz Sample Rate

Figure 7-25. Passband Magnitude

Figure 7-26. Stopband Magnitude

Figure 7-27. Impulse Response—Linear Phase

Figure 7-28. Impulse Response—Minimum Phase

Figure 7-29. Phase vs. Frequency

Figure 7-30. Group Delay vs. Frequency

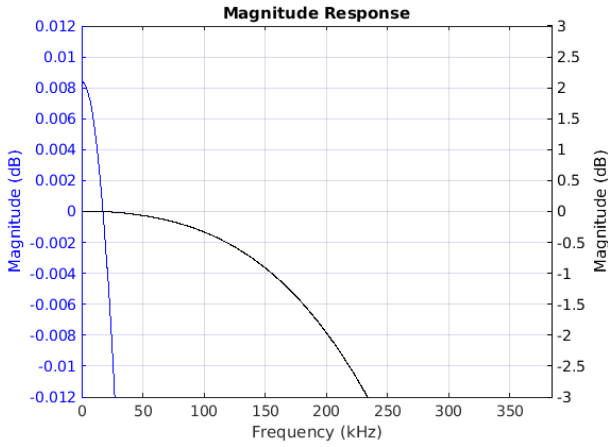
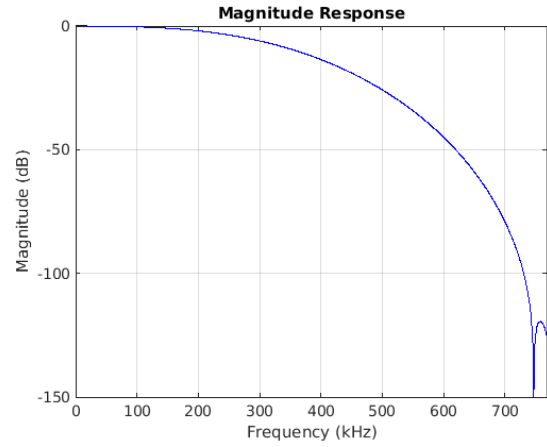
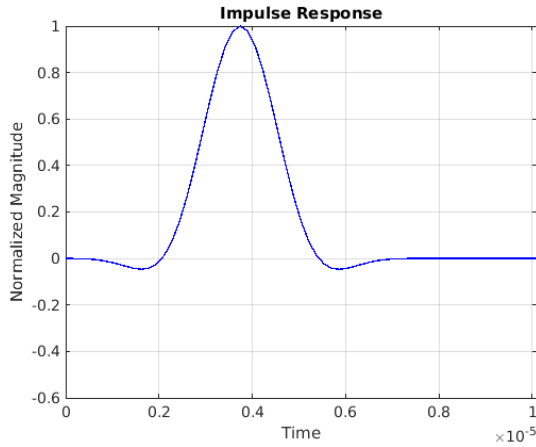
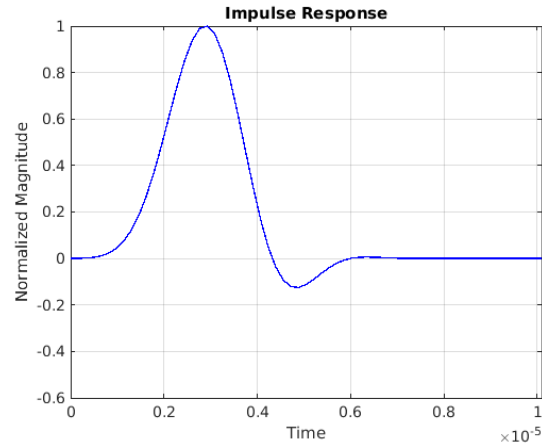
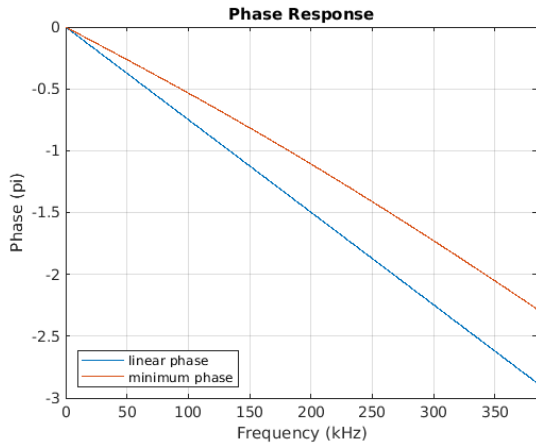
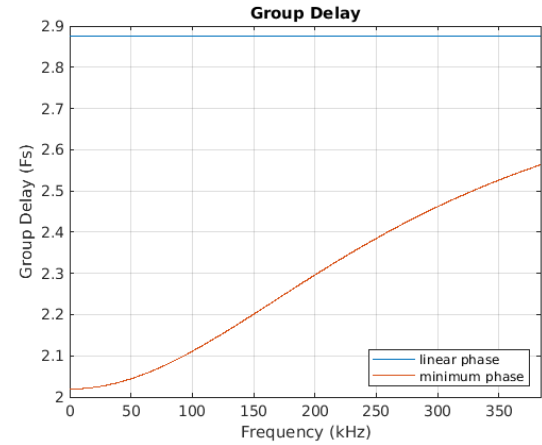
ADC Filter Response—Fast Roll-Off, 192 kHz Sample Rate

Figure 7-31. Passband Magnitude

Figure 7-32. Stopband Magnitude

Figure 7-33. Impulse Response—Linear Phase

Figure 7-34. Impulse Response—Minimum Phase

Figure 7-35. Phase vs. Frequency

Figure 7-36. Group Delay vs. Frequency

ADC Filter Response—Slow Roll-Off, 192 kHz Sample Rate

Figure 7-37. Passband Magnitude

Figure 7-38. Stopband Magnitude

Figure 7-39. Impulse Response—Linear Phase

Figure 7-40. Impulse Response—Minimum Phase

Figure 7-41. Phase vs. Frequency

Figure 7-42. Group Delay vs. Frequency

ADC Filter Response—Fast Roll-Off, 384 kHz Sample Rate

Figure 7-43. Passband Magnitude

Figure 7-44. Stopband Magnitude

Figure 7-45. Impulse Response—Linear Phase

Figure 7-46. Impulse Response—Minimum Phase

Figure 7-47. Phase vs. Frequency

Figure 7-48. Group Delay vs. Frequency

ADC Filter Response—Slow Roll-Off, 384 kHz Sample Rate

Figure 7-49. Passband Magnitude

Figure 7-50. Stopband Magnitude

Figure 7-51. Impulse Response—Linear Phase

Figure 7-52. Impulse Response—Minimum Phase

Figure 7-53. Phase vs. Frequency

Figure 7-54. Group Delay vs. Frequency

ADC Filter Response—Fast Roll-Off, 768 kHz Sample Rate

Figure 7-55. Passband Magnitude

Figure 7-56. Stopband Magnitude

Figure 7-57. Impulse Response—Linear Phase

Figure 7-58. Impulse Response—Minimum Phase

Figure 7-59. Phase vs. Frequency

Figure 7-60. Group Delay vs. Frequency

ADC Filter Response—Slow Roll-Off, 768 kHz Sample Rate

Figure 7-61. Passband Magnitude

Figure 7-62. Stopband Magnitude

Figure 7-63. Impulse Response—Linear Phase

Figure 7-64. Impulse Response—Minimum Phase

Figure 7-65. Phase vs. Frequency

Figure 7-66. Group Delay vs. Frequency

8 Thermal Characteristics

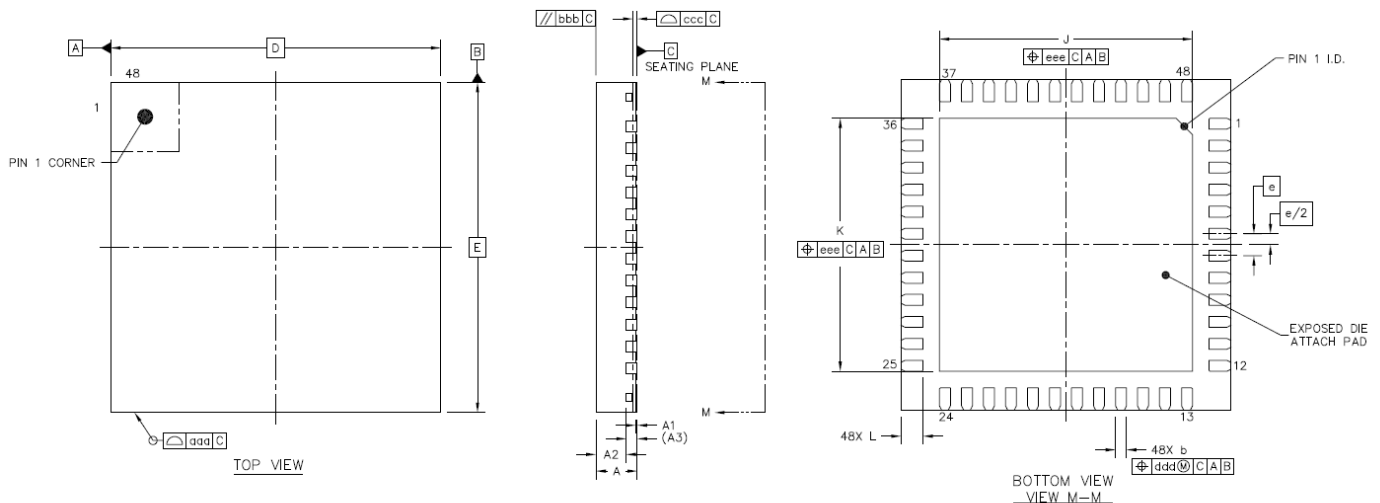
Table 8-1. Typical JEDEC Four-Layer, 2s2p Board Thermal Characteristics

Parameter	Symbol	QFN	Units
Junction-to-ambient thermal resistance	θ_{JA}	17.233	$^{\circ}\text{C}/\text{W}$
Junction-to-board thermal resistance	θ_{JB}	4.92	$^{\circ}\text{C}/\text{W}$
Junction-to-case (top) thermal resistance	θ_{JC}	26.24	$^{\circ}\text{C}/\text{W}$
Junction-to-board thermal-characterization parameter	Ψ_{JB}	4.67	$^{\circ}\text{C}/\text{W}$
Junction-to-package-top thermal-characterization parameter	Ψ_{JT}	1.11	$^{\circ}\text{C}/\text{W}$

Notes:

- Natural convection at the maximum recommended operating temperature T_A (see Table 3-2)
- Four-layer, 2s2p PCB as specified by JESD51-9 and JESD51-11; dimensions: 101.5 x 114.5 x 1.6 mm
- Thermal parameters as defined by JESD51-12

9 Package Dimensions



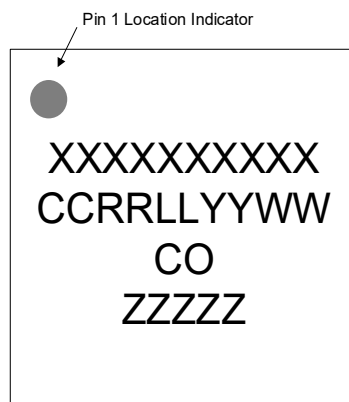
	SYMBOL	MIN	NOM	MAX	
TOTAL THICKNESS	A	0.7	0.75	0.8	
STAND OFF	A1	0	0.035	0.05	
MOLD THICKNESS	A2	---	0.55	---	
L/F THICKNESS	A3		0.203 REF		
LEAD WIDTH	b	0.15	0.2	0.25	
BODY SIZE	X	D	6 BSC		
	Y	E	6 BSC		
LEAD PITCH	e	0.4 BSC			
EP SIZE	X	J	4.5	4.6	4.7
	Y	K	4.5	4.6	4.7
LEAD LENGTH	L	0.35	0.4	0.45	
PACKAGE EDGE TOLERANCE	aaa	0.1			
MOLD FLATNESS	bbb	0.1			
COPLANARITY	ccc	0.08			
LEAD OFFSET	ddd	0.1			
EXPOSED PAD OFFSET	eee	0.1			

NOTES

- 1.0 COPLANARITY APPLIES TO LEADS, CORNER LEADS AND DIE ATTACH PAD.
- 2.0 TOTAL THICKNESS NOT INCLUDE SAW BURR.

Figure 9-1. QFN Package Drawing

10 Package Marking


Top Side Brand

Line 1: Part number
 Line 2: Package mark
 Line 3: Country of origin (CO)
 Line 4: Encoded wafer/device ID

Package Mark Fields

CC = Cirrus Logic Index Code
 RR = Device revision code
 LL = Lot sequence code
 YY = Year of manufacture
 WW = Work week of manufacture

Figure 10-1. Package Marking

11 Ordering Information

Table 11-1. Ordering Information

Product	Description	Package	RoHS Compliant	Grade	Temperature Range	Container	Orderable Part Number
CS5308P	High Performance Multichannel Audio ADC	48-pin QFN	Yes	Commercial	-40 to +85°C	Tray	CS5308P-DN
CS5308P	High Performance Multichannel Audio ADC	48-pin QFN	Yes	Commercial	-40 to +85°C	Tape and Reel	CS5308P-DNR

12 References

- NXP Semiconductors, UM10204 Rev. 7, October 2021, *I2C-Bus Specification and User Manual*, <http://www.nxp.com>

13 Revision History

Table 13-1. Revision History

Revision	Changes
A2 JUN 2023	<ul style="list-style-type: none"> Initial publication
A3 MAY 2024	<ul style="list-style-type: none"> Added ADC_FILTN connection to GND (Fig. 2-1) Removed specific component recommendation for input-buffer op-amp (Fig. 2-1) Noted measurement bandwidth for all specifications (Table 3-1) Input impedance updated (Table 3-4) Updated minimum SPI idle duration (Table 3-13) Ordering information updated for automotive-grade parts (Section 11)

Table 13-1. Revision History (Cont.)

Revision	Changes
A4 JUL 2024	<ul style="list-style-type: none"> Updated VDD_D reset threshold (Table 3-9) Updated “fsb” references to “fs(base)” (Section 4.2, Section 4.4.1) Removed constraint on duration of MCLK interruption (Section 4.4.1, Section 4.4.2) Add clip-detect function (Section 4.5.3) Fixed glitch behavior of HGC_CS if update all HGC bit patterns are zero length (Section 4.5.4.1) Removed requirement to check HGC is idle before disabling ADCs (Section 4.5.1) Removed restriction on updating HGC channels while ADCs are enabled (Section 4.5.4.3) Clarification of θ_{JC} definition (Section 8) Orderable part numbers updated (Section 11)
A5 DEC 2024	<ul style="list-style-type: none"> Typical connections updated (Section 2) Thermal characteristics updated (Section 8)

Important: Please check www.cirrus.com or with your Cirrus Logic sales representative to confirm that you are using the latest revision of this document and to determine whether there are errata associated with this device.

Contacting Cirrus Logic Support

For all product questions and inquiries, contact a Cirrus Logic Sales Representative.

To find one nearest you, go to www.cirrus.com.

IMPORTANT NOTICE

“Advance” product information describes products that are in development and subject to substantial development changes. For the purposes of our terms and conditions of sale, “Preliminary” or “Advanced” datasheets are nonfinal datasheets that include, but are not limited to, datasheets marked as “Target”, “Advance”, “Product Preview”, “Preliminary Technical Data” and/or “Preproduction.” Products provided with any such datasheet are therefore subject to relevant terms and conditions associated with “Preliminary” or “Advanced” designations, as set out in our terms and conditions of sale, including but not limited to that Cirrus Logic expressly disclaims any warranties with respect to such products. The products and services of Cirrus Logic International (UK) Limited; Cirrus Logic, Inc.; and other companies in the Cirrus Logic group (collectively either “Cirrus Logic” or “Cirrus”) are sold subject to Cirrus Logic’s terms and conditions of sale supplied at the time of order acknowledgment, including those pertaining to warranty, indemnification, and limitation of liability. Software is provided pursuant to applicable license terms. Cirrus Logic reserves the right to make changes to its products and specifications or to discontinue any product or service without notice. Customers should therefore obtain the latest version of relevant information from Cirrus Logic to verify that the information is current and complete. Testing and other quality control techniques are utilized to the extent Cirrus Logic deems necessary. Specific testing of all parameters of each device is not necessarily performed. In order to minimize risks associated with customer applications, the customer must use adequate design and operating safeguards to minimize inherent or procedural hazards. Cirrus Logic is not liable for applications assistance or customer product design. The customer is solely responsible for its overall product design, end-use applications, and system security, including the specific manner in which it uses Cirrus Logic components. Certain uses or product designs may require an intellectual property license from a third party. Features and operations described herein are for illustrative purposes only and do not constitute a suggestion or instruction to adopt a particular product design or a particular mode of operation for a Cirrus Logic component.

CIRRUS LOGIC PRODUCTS ARE NOT DESIGNED, TESTED, INTENDED OR WARRANTED FOR USE (1) WITH OR IN IMPLANTABLE PRODUCTS OR FDA/ MHRA CLASS III (OR EQUIVALENT CLASSIFICATION) MEDICAL DEVICES, OR (2) IN ANY PRODUCTS, APPLICATIONS OR SYSTEMS, INCLUDING WITHOUT LIMITATION LIFE-CRITICAL MEDICAL EQUIPMENT OR SAFETY OR SECURITY EQUIPMENT, WHERE MALFUNCTION OF THE PRODUCT COULD CAUSE PERSONAL INJURY, DEATH, SEVERE PROPERTY DAMAGE OR SEVERE ENVIRONMENTAL HARM. INCLUSION OF CIRRUS LOGIC PRODUCTS IN SUCH APPLICATIONS IS UNDERSTOOD TO BE FULLY AT THE CUSTOMER’S RISK AND CIRRUS LOGIC DISCLAIMS AND MAKES NO WARRANTY, EXPRESS, STATUTORY OR IMPLIED, INCLUDING THE IMPLIED WARRANTIES OF MERCHANTABILITY AND FITNESS FOR PARTICULAR PURPOSE, WITH REGARD TO ANY CIRRUS LOGIC PRODUCT THAT IS USED IN SUCH A MANNER. IF THE CUSTOMER OR CUSTOMER’S CUSTOMER USES OR PERMITS THE USE OF CIRRUS LOGIC PRODUCTS IN SUCH A MANNER, CUSTOMER AGREES, BY SUCH USE, TO FULLY INDEMNIFY CIRRUS LOGIC, ITS OFFICERS, DIRECTORS, EMPLOYEES, DISTRIBUTORS AND OTHER AGENTS FROM ANY AND ALL LIABILITY, INCLUDING ATTORNEYS’ FEES AND COSTS, THAT MAY RESULT FROM OR ARISE IN CONNECTION WITH THESE USES.

This document is the property of Cirrus Logic, and you may not use this document in connection with any legal analysis concerning Cirrus Logic products described herein. No license to any technology or intellectual property right of Cirrus Logic or any third party is granted herein, including but not limited to any patent right, copyright, mask work right, or other intellectual property rights. Any provision or publication of any third party’s products or services does not constitute Cirrus Logic’s approval, license, warranty or endorsement thereof. Cirrus Logic gives consent for copies to be made of the information contained herein only for use within your organization with respect to Cirrus Logic integrated circuits or other products of Cirrus Logic, and only if the reproduction is without alteration and is accompanied by all associated copyright, proprietary and other notices and conditions (including this notice). This consent does not extend to other copying such as copying for general distribution, advertising or promotional purposes, or for creating any work for resale. This document and its information is provided “AS IS” without warranty of any kind (express or implied). All statutory warranties and conditions are excluded to the fullest extent possible. No responsibility is assumed by Cirrus Logic for the use of information herein, including use of this information as the basis for manufacture or sale of any items, or for infringement of patents or other rights of third parties. Cirrus Logic, Cirrus, the Cirrus Logic logo design, and SoundClear are among the trademarks of Cirrus Logic. Other brand and product names may be trademarks or service marks of their respective owners.

Copyright © 2022–2024 Cirrus Logic, Inc. and Cirrus Logic International Semiconductor Ltd. All rights reserved.

SPI is a trademark of Motorola.