

## LCD Panel Timing Controller (15")

### GENERAL DESCRIPTION

The CS5843 is a TFT-LCD timing controller, which is applicable to 6-bit data XGA (1024\*768), SXGA (1280\*1024).

CS5843 can update the response timing for display mode of XGA and SXGA automatically.

CS5843 provides a selectable polarity check function to inverse output data for EMI reducing, when the toggle number of ODD/EVEN RGB outputs is larger than 10.

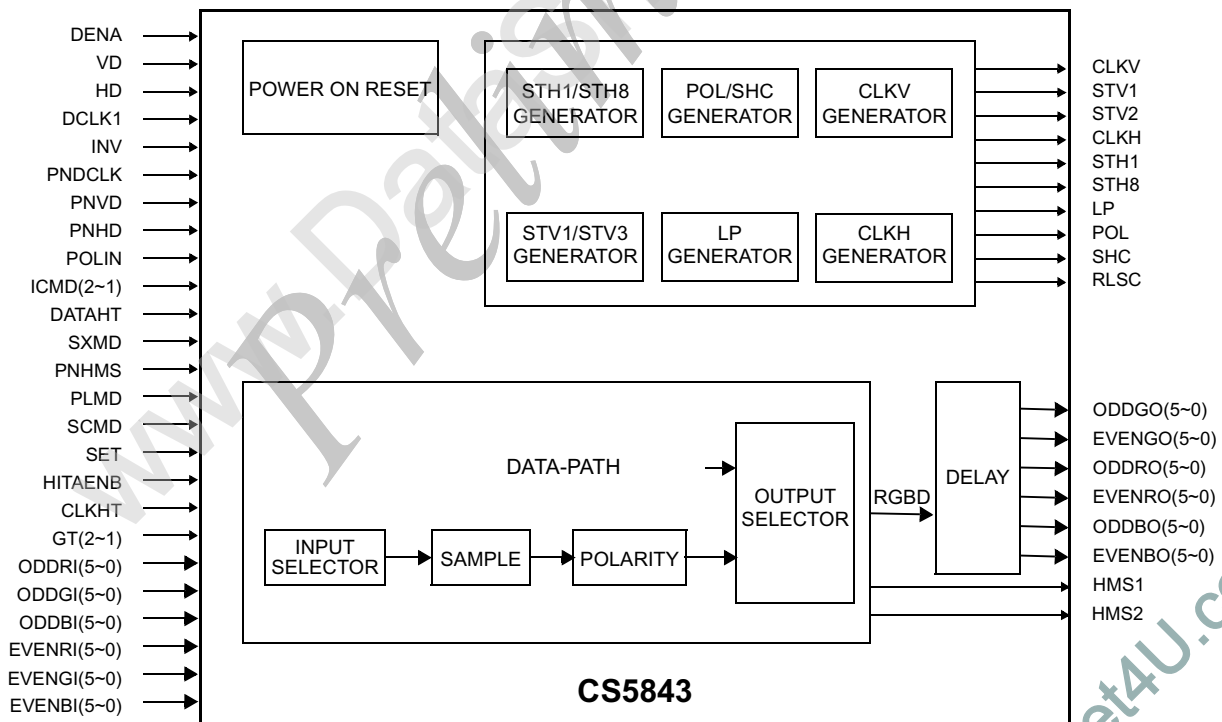
### FEATURES

- CS5843 Interface (5V/3.3V[CMOS] input, 3.3V[CMOS] output)
- Single (XGA2: 65MHz)/dual (XGA: 32.5MHz) 6-bit Data input; dual port 6-bit output; SXGA auto detective
- Timing adjustable for horizontal clock output

### FEATURES (continued)

- Correspondent to control timing & specific resolution for different Driver IC by changing a Mask:
  1. can vary the pulse width & starting position of LP signal and POL signal polarity position changed along with LP signal
  2. can vary the pulse width & starting position of CLKV signal and tgs time
- Control ASIC output timing design is based on Data Enable signals
- Embedded Power On Reset circuits,  $V_{th}=2.1V$ , tolerance  $\pm 0.3V$
- ESD spec. 4KV
- Power On Latch Up 200mA/6.6V
- Single 3.3V supply
- 144-pin LQFP package

### BLOCK DIAGRAM



Myson Century, Inc.

Taiwan:

No. 2, Industry East Rd. III,  
Science-Based Industrial Park, Hsin-Chu, Taiwan  
Tel: 886-3-5784866 Fax: 886-3-5784349

USA:

1485 Saratoga Ave. #200  
San Jose, CA, 95129  
Tel: 408-973-8388 Fax: 408-973-9388

Sales@myson.com.tw

www.myson.com.tw

Rev.0.91 June 2002

page 1 of 25