



### General Description:

CS5J65 B4-G, the silicon N-channel Enhanced MOSFETs, is obtained by the super junction technology which reduces the conduction loss, improve switching performance and enhance the avalanche energy. The transistor can be used in various power switching circuit for system miniaturization and higher efficiency. The package type is TO-252, which accords with the RoHS standard.

### Features:

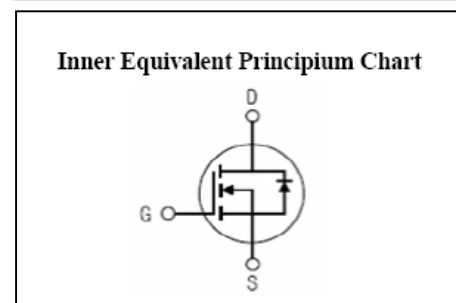
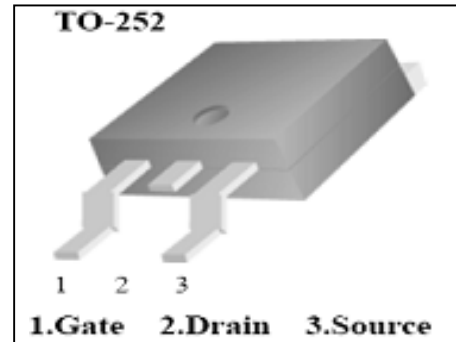
- | Fast Switching
- | Low Gate Charge
- | Low Reverse transfer capacitances
- | 100% Single Pulse avalanche energy Test
- | Halogen Free

### Applications:

Power switch circuit of adaptor and charger.

**Absolute** (Tc= 25°C unless otherwise specified):

|                                       |     |   |
|---------------------------------------|-----|---|
| V <sub>DSS</sub>                      | 650 | V |
| I <sub>D</sub>                        | 5   | A |
| P <sub>D</sub> (T <sub>C</sub> =25°C) | 72  | W |
| R <sub>DS(ON)Typ</sub>                | 0.9 | Ω |



| Symbol                            | Parameter                                    | Rating     | Units |
|-----------------------------------|--|------------|-------|
| V <sub>DSS</sub>                  | Drain-to-Source Voltage(V <sub>GS</sub> =0V) | 650        | V     |
| I <sub>D</sub>                    | Continuous Drain Current                     | 5          | A     |
| I <sub>DM</sub> <sup>a1</sup>     | Pulsed Drain Current                         | 15         | A     |
| V <sub>GSS</sub>                  | Gate-to-Source Voltage                       | ±30        | V     |
| E <sub>AS</sub> <sup>a2</sup>     | Single Pulse Avalanche Energy                | 50         | mJ    |
| dv/dt <sup>a3</sup>               | Peak Diode Recovery dv/dt                    | 5          | V/ns  |
| P <sub>D</sub>                    | Power Dissipation(T=25°C)                    | 72         | W     |
| T <sub>J</sub> , T <sub>stg</sub> | Operating and Storage Temperature Range      | -55...+150 | °C    |
| T <sub>L</sub>                    | Maximum Temperature for Soldering            | 300        | °C    |

**Electrical Characteristics** (Tc= 25°C unless otherwise specified):

| <b>OFF Characteristics</b>          |                                   |  |        |      |      |       |
|-------------------------------------|-----------------------------------|--|--------|------|------|-------|
| Symbol                              | Parameter                         | Test Conditions  | Rating |      |      | Units |
|                                     |                                   |  | Min.   | Typ. | Max. |       |
| V <sub>DSS</sub>                    | Drain to Source Breakdown Voltage | V <sub>GS</sub> =0V, I <sub>D</sub> =250μA                             | 650    | --   | --   | V     |
| ΔBV <sub>DSS</sub> /ΔT <sub>J</sub> | Bvdss Temperature Coefficient     | ID=250uA   | --     | 0.65 | --   | V/°C  |
| I <sub>DSS</sub>                    | Drain to Source Leakage Current   | V <sub>DS</sub> = 650V, V <sub>GS</sub> = 0V,<br>T <sub>a</sub> = 25°C | --     | --   | 1    | μA    |
|                                     |                                   | V <sub>DS</sub> =520V, V <sub>GS</sub> = 0V,<br>T <sub>a</sub> = 125°C | --     | --   | 10   |       |
| I <sub>GSS(F)</sub>                 | Gate to Source Forward Leakage    | V <sub>GS</sub> =+30V V <sub>DS</sub> = 0V,                            | --     | --   | 100  | nA    |
| I <sub>GSS(R)</sub>                 | Gate to Source Reverse Leakage    | V <sub>GS</sub> =-30V V <sub>DS</sub> = 0V,                            | --     | --   | -100 | nA    |

| <b>ON Characteristics</b>      |                               |  |        |      |      |       |
|--------------------------------|-------------------------------|--|--------|------|------|-------|
| Symbol                         | Parameter                     | Test Conditions  | Rating |      |      | Units |
|                                |                               |  | Min.   | Typ. | Max. |       |
| R <sub>DS(ON)</sub>            | Drain-to-Source On-Resistance | V <sub>GS</sub> =10V,I <sub>D</sub> =2.5A                  | --     | 0.9  | 1.2  | Ω     |
| V <sub>GS(TH)</sub>            | Gate Threshold Voltage        | V <sub>DS</sub> = V <sub>GS</sub> , I <sub>D</sub> = 250μA | 2.0    | --   | 4.0  | V     |
| Pulse width tp ≤ 300μs, δ ≤ 2% |                               |  |        |      |      |       |

| <b>Dynamic Characteristics</b> |                              |  |        |      |      |       |
|--------------------------------|------------------------------|--|--------|------|------|-------|
| Symbol                         | Parameter                    | Test Conditions  | Rating |      |      | Units |
|                                |                              |  | Min.   | Typ. | Max. |       |
| C <sub>iss</sub>               | Input Capacitance            | V <sub>GS</sub> = 0V V <sub>DS</sub> = 25V<br>f = 1.0MHz | --     | 313  | --   | pF    |
| C <sub>oss</sub>               | Output Capacitance           |  | --     | 301  | --   |       |
| C <sub>rss</sub>               | Reverse Transfer Capacitance |  | --     | 10   | --   |       |

| <b>Resistive Switching Characteristics</b> |                                |  |        |      |      |       |
|--|--------------------------------|--|--------|------|------|-------|
| Symbol                                     | Parameter                      | Test Conditions  | Rating |      |      | Units |
|  |                                |  | Min.   | Typ. | Max. |       |
| t <sub>d(ON)</sub>                         | Turn-on Delay Time             | I <sub>D</sub> =5A V <sub>DD</sub> = 325V<br>V <sub>GS</sub> = 10V R <sub>G</sub> =10Ω | --     | 12   | --   | ns    |
| t <sub>r</sub>                             | Rise Time                      |  | --     | 23   | --   |       |
| t <sub>d(OFF)</sub>                        | Turn-Off Delay Time            |  | --     | 35   | --   |       |
| t <sub>f</sub>                             | Fall Time                      |  | --     | 9    | --   |       |
| Q <sub>g</sub>                             | Total Gate Charge              | I <sub>D</sub> = 5A V <sub>DD</sub> =520V<br>V <sub>GS</sub> = 10V                     | --     | 12   | --   | nC    |
| Q <sub>gs</sub>                            | Gate to Source Charge          |  | --     | 2.2  | --   |       |
| Q <sub>gd</sub>                            | Gate to Drain ("Miller")Charge |  | --     | 6.2  | --   |       |

| Source-Drain Diode Characteristics |  |  |        |      |      |       |
|------------------------------------|--|--|--------|------|------|-------|
| Symbol                             | Parameter                              | Test Conditions                            | Rating |      |      | Units |
|                                    |  |  | Min.   | Typ. | Max. |       |
| $I_S$                              | Continuous Source Current (Body Diode) | $T_C=25^\circ\text{C}$                     | --     | --   | 5    | A     |
| $I_{SM}$                           | Maximum Pulsed Current (Body Diode)    |  | --     | --   | 15   | A     |
| $V_{SD}$                           | Diode Forward Voltage                  | $I_F=5\text{A}, V_{GS}=0\text{V}$          | --     | 0.9  | 1.2  | V     |
| $t_{rr}$                           | Reverse Recovery Time                  | $I_S=I_F, T_j=25^\circ\text{C}$            | --     | 272  | --   | ns    |
| $Q_{rr}$                           | Reverse Recovery Charge                | $dI_F/dt=100\text{A/us}, V_{GS}=0\text{V}$ | --     | 1890 | --   | nC    |

**Thermal Restistance**

| Symbol          | Parameter           | Max. | Units                     |
|-----------------|---------------------|------|---------------------------|
| $R_{\theta JC}$ | Junction-to-Case    | 1.7  | $^\circ\text{C}/\text{W}$ |
| $R_{\theta JA}$ | Junction-to-Ambient | 100  | $^\circ\text{C}/\text{W}$ |

<sup>a1</sup>: Repetitive rating; pulse width limited by maximum junction temperature

<sup>a2</sup>:  $L=20.0\text{mH}, R_g=25\ \Omega, V_{DD}=50\text{V}, \text{Start } T_j=25^\circ\text{C}$

<sup>a3</sup>:  $I_{SD}=5\text{A}, di/dt \leq 100\text{A/us}, V_{DD} \leq BV_{DS}, \text{Start } T_j=25^\circ\text{C}$

Characteristics Curve:

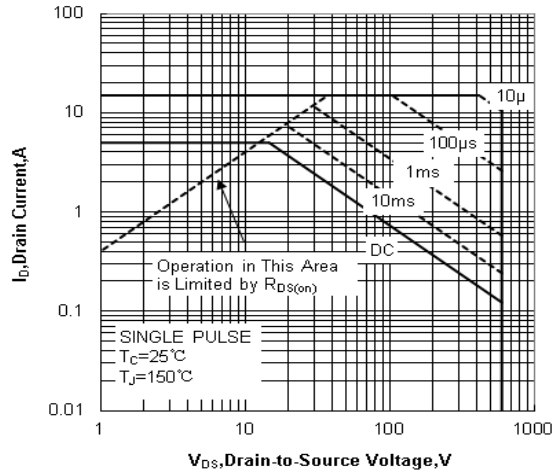


Figure.1 Maximum Forward Bias Safe Operating Area

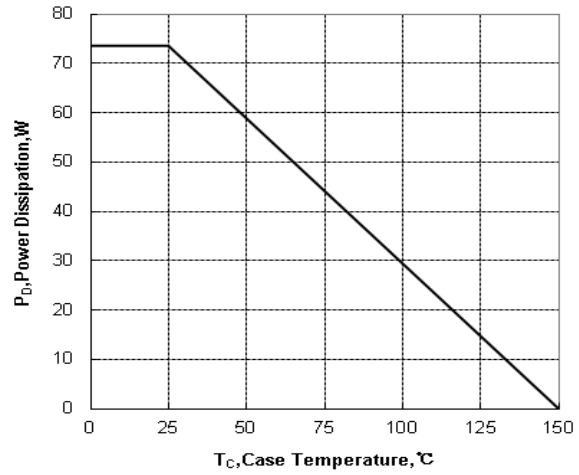


Figure.2 Maximum Power Dissipation vs Case Temperature

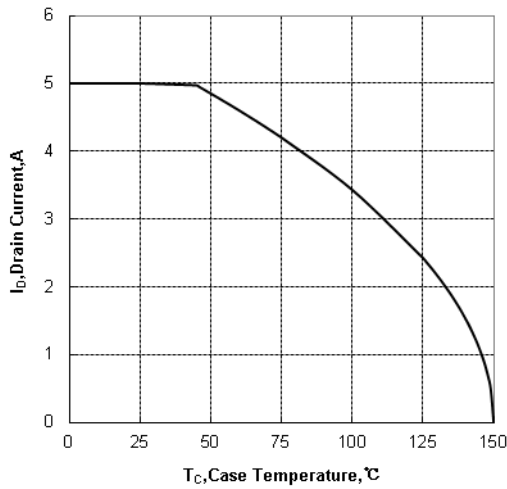


Figure.3 Maximum Continuous Drain Current vs Case Temperature

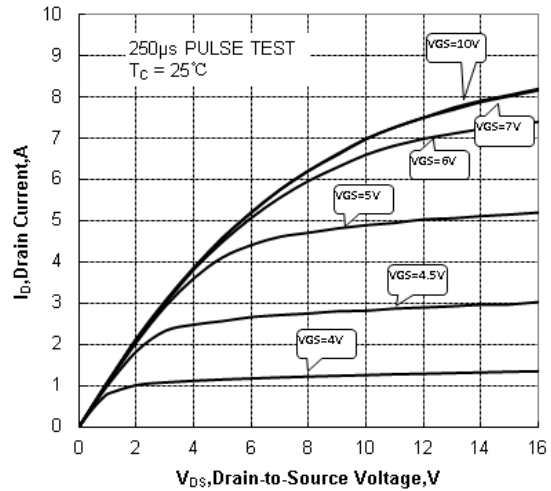


Figure.4 Typical Output Characteristics

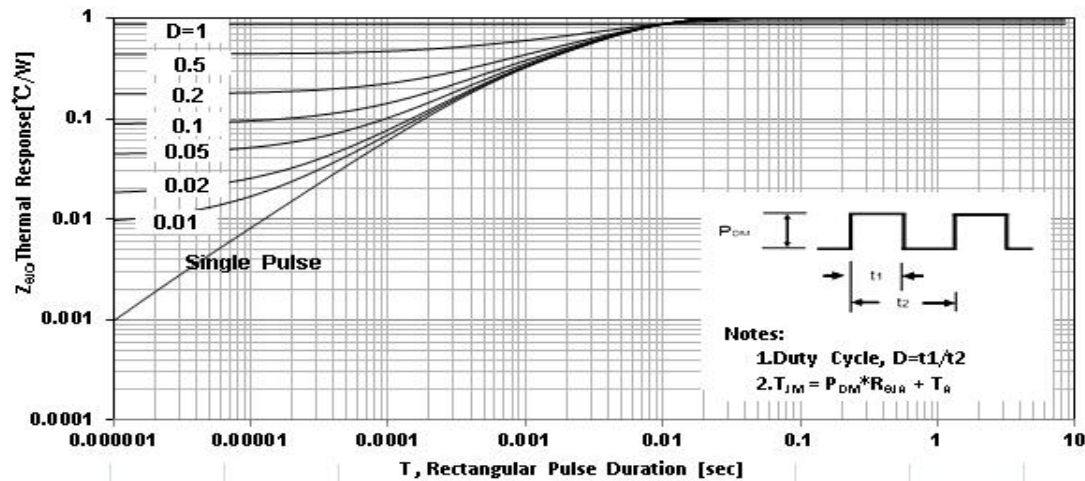


Figure.5 Maximum Effective Thermal Impedance, Junction to Case

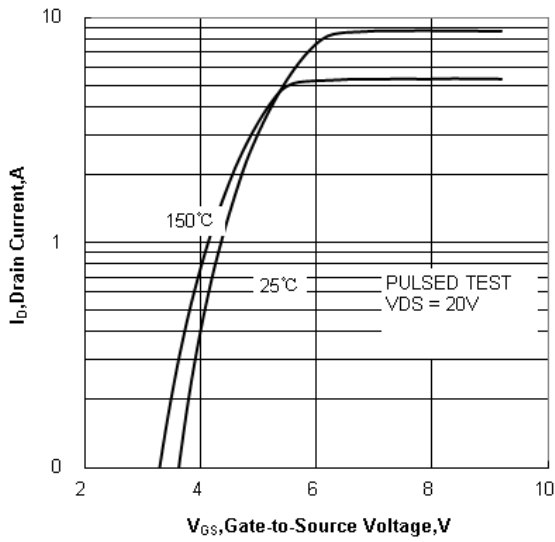


Figure.6 Typical Transfer Characteristics

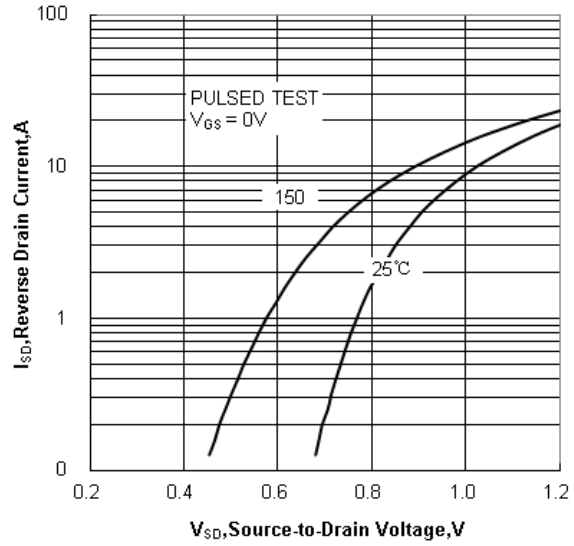


Figure.7 Typical Body Diode Transfer Characteristics

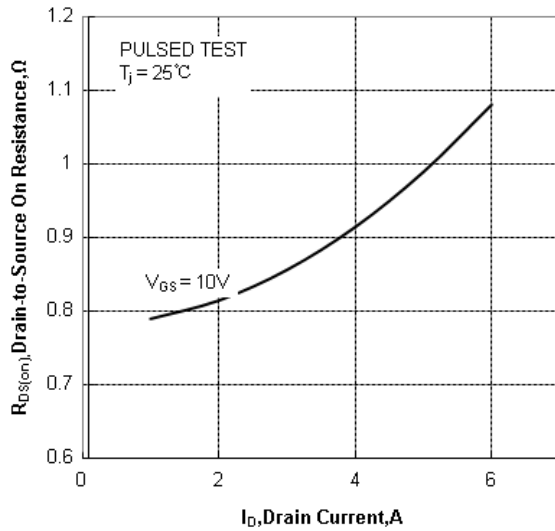


Figure.8 Typical Drain to Source ON Resistance vs Drain Current

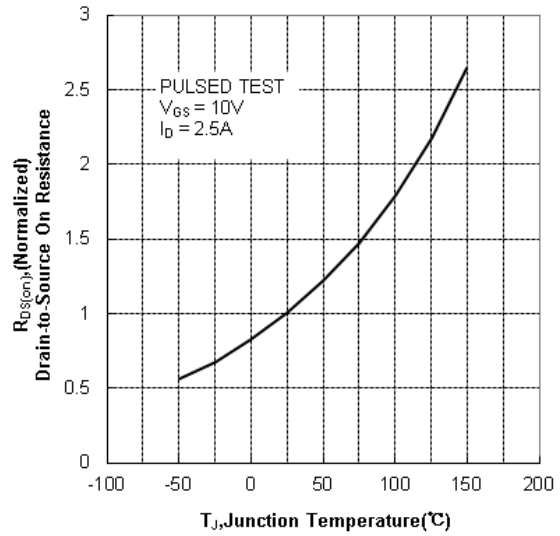


Figure.9 Typical Drain to Source on Resistance vs Junction Temperature

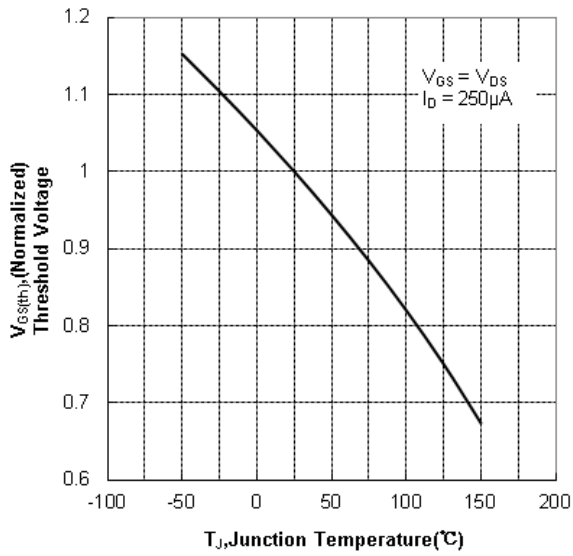


Figure.10 Typical Theshold Voltage vs Junction Temperatu

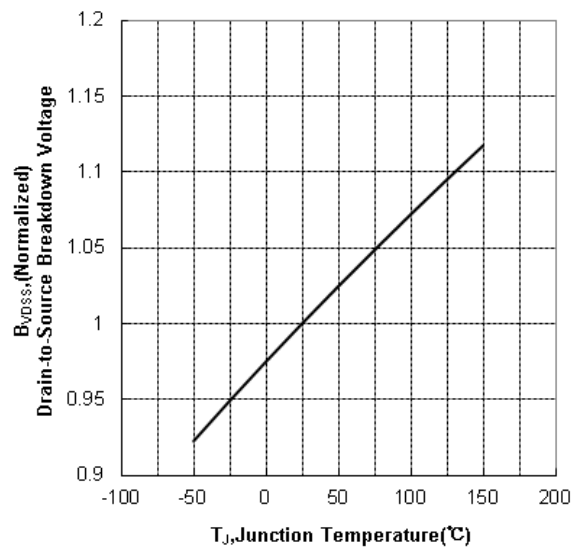


Figure 11 Typical Breakdown Voltage vs Junction Temperature

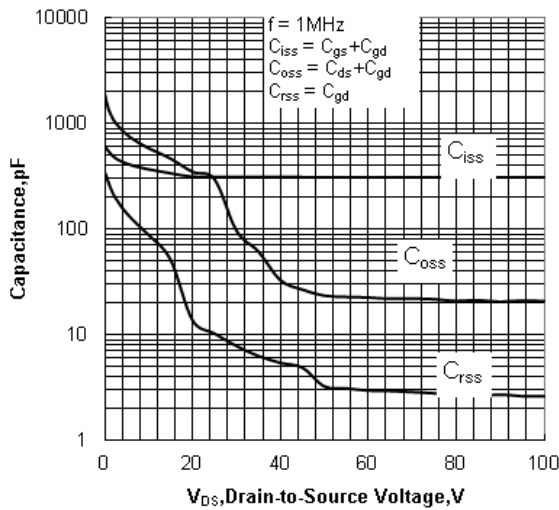


Figure.12 Typical Capacitance vs Drain to Source Voltage

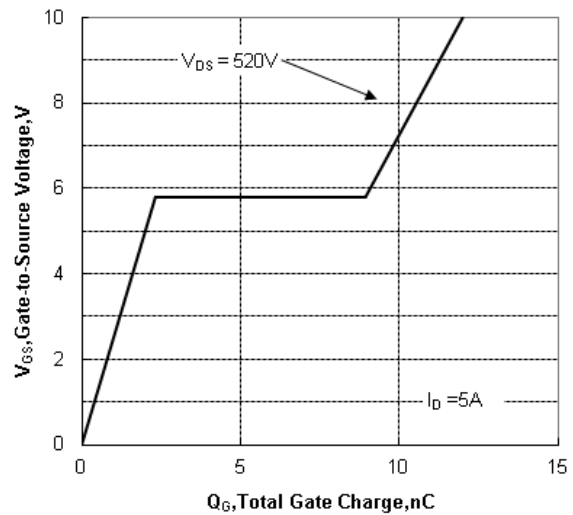


Figure.13 Typical Gate Charge vs Gate to Source Voltage

**Test Circuit and Waveform**



Figure 14. Gate Charge Test Circuit



Figure 15. Gate Charge Waveforms



Figure 16. Resistive Switching Test Circuit



Figure 17. Resistive Switching Waveforms

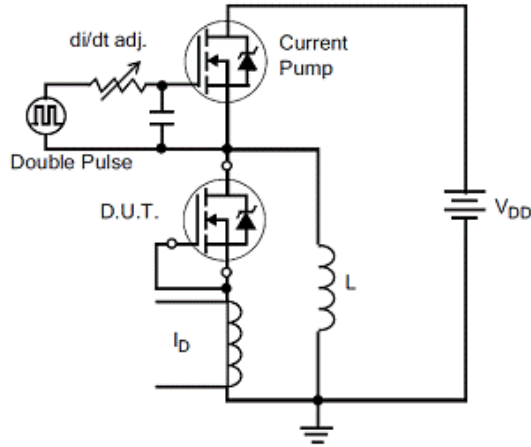


Figure 18. Diode Reverse Recovery Test Circuit

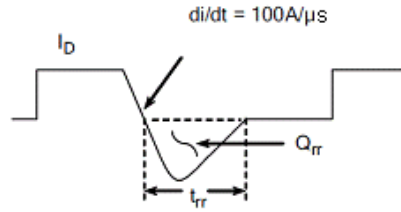


Figure 19. Diode Reverse Recovery Waveform

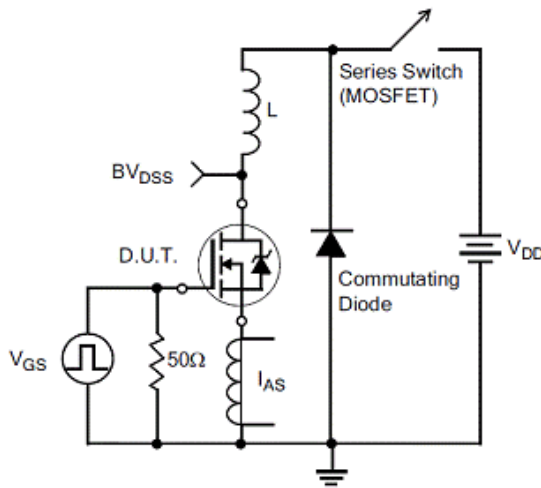


Figure20.Unclamped Inductive Switching Test Circuit

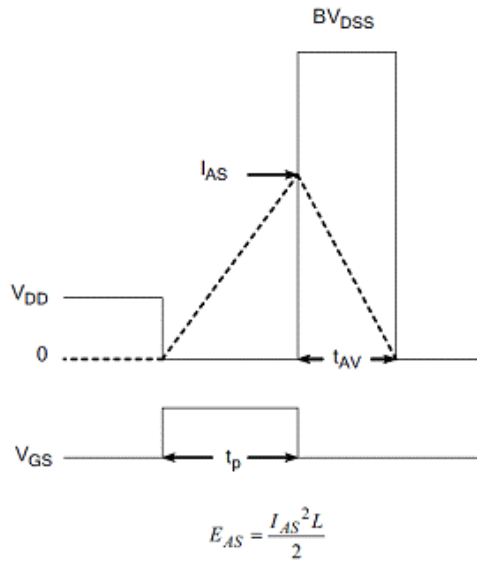
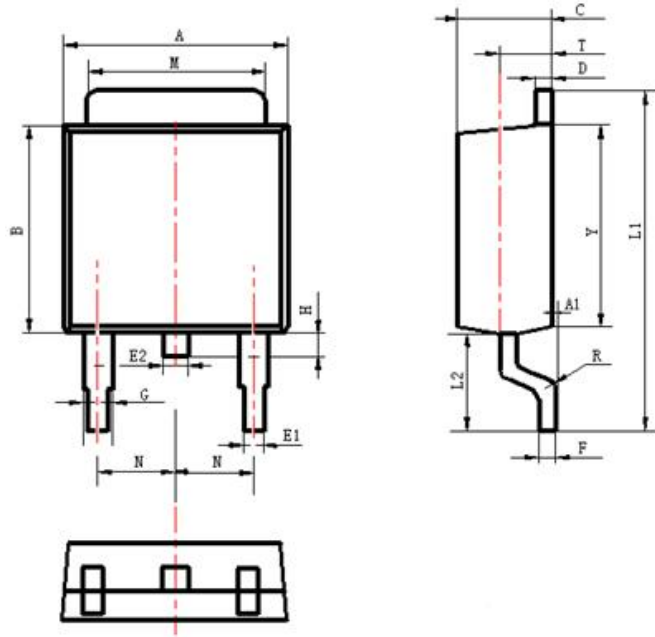


Figure21.Unclamped Inductive Switching Waveform



Package Information



| Items | Values(mm) |       |
|-------|------------|-------|
|       | MIN        | MAX   |
| A     | 6.30       | 6.90  |
| A1    | 0          | 0.13  |
| B     | 5.70       | 6.30  |
| C     | 2.10       | 2.50  |
| D     | 0.30       | 0.60  |
| E1    | 0.60       | 0.90  |
| E2    | 0.70       | 1.00  |
| F     | 0.30       | 0.60  |
| G     | 0.70       | 1.00  |
| L1    | 9.60       | 10.30 |
| L2    | 2.70       | 3.10  |
| H     | 0.60       | 1.00  |
| M     | 5.10       | 5.50  |
| N     | 2.09       | 2.49  |
| R     | 0.3        |       |
| T     | 1.40       | 1.60  |
| Y     | 5.10       | 6.30  |

TO-252 Package

**The name and content of poisonous and harmful material in products**

|              | Hazardous Substance   |       |            |        |       |       |       |       |       |       |
|--------------|---|-------|------------|--------|-------|-------|-------|-------|-------|-------|
|              | Pb  | Hg    | Cd         | Cr(VI) | PBB   | PBDE  | DI BP | DEHP  | DBP   | BBP   |
| Limit        | ≤0.1%   | ≤0.1% | ≤<br>0.01% | ≤0.1%  | ≤0.1% | ≤0.1% | ≤0.1% | ≤0.1% | ≤0.1% | ≤0.1% |
| Lead Frame   | ○   | ○     | ○          | ○      | ○     | ○     | ○     | ○     | ○     | ○     |
| Molding      | ○   | ○     | ○          | ○      | ○     | ○     | ○     | ○     | ○     | ○     |
| Chip         | ○   | ○     | ○          | ○      | ○     | ○     | ○     | ○     | ○     | ○     |
| Wire Bonding | ○   | ○     | ○          | ○      | ○     | ○     | ○     | ○     | ○     | ○     |
| Solder       | ×   | ○     | ○          | ○      | ○     | ○     | ○     | ○     | ○     | ○     |
| Note         | ○: Means the hazardous material is under the criterion of 2011/65/EU.<br>×: Means the hazardous material exceeds the criterion of 2011/65/EU.<br>The plumbum element of solder exist in products presently, but within the allowed range of Eurogroup's RoHS. |       |            |        |       |       |       |       |       |       |

**Warnings**

1. Exceeding the maximum ratings of the device in performance may cause damage to the device, even the permanent failure, which may affect the dependability of the machine. It is suggested to be used under 80 percent of the maximum ratings of the device.
2. When installing the heat sink, please pay attention to the torsional moment and the smoothness of the heatsink.
3. VDMOSFET is the device which is sensitive to the static electricity, it is necessary to protect the device from being damaged by the static electricity when using it.
4. This publication is made by Huajing Microelectronics and subject to regular change without notice.

**WUXI CHINA RESOURCES HUAJING MICROELECTRONICS CO., LTD.**

**Add:** No.14 Liangxi RD. Wuxi, Jiangsu, China **Mail:**214061 **<http://www.crhj.com.cn>**  
**Tel:** +86 0510-85807228 **Fax:** +86- 0510-85800864

**Marketing Part:** **Post:** 214061 **Tel:** +86 0510-81805277/81805336  
**Fax:** +86 0510-85800360/85803016  
**E-mail:** [sales@hj.crmicro.com](mailto:sales@hj.crmicro.com)

**Application and Service:** **Post:** 214061 **Tel / Fax:** +86- 0510-81805243/81805110