

**CS60N06 C4****General Description:**

CS60N06 C4, the silicon N-channel Enhanced VDMOSFETs, is obtained by the self-aligned planar Technology which reduce the conduction loss, improve switching performance and enhance the avalanche energy. The transistor can be used in various power switching circuit for system miniaturization and higher efficiency. The package form is TO-252, which accords with the RoHS standard.

**Features:**

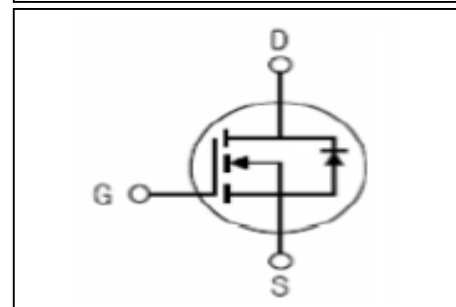
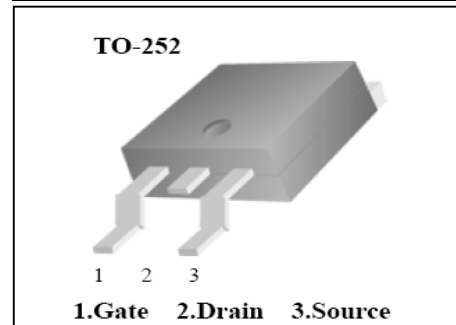
- I **Fast Switching**
- I **Low ON Resistance ( $R_{dson} \leq 10m\Omega$ )**
- I **Low Gate Charge (Typical Data: 57nC)**
- I **Low Reverse transfer capacitances(Typical: 180pF)**
- I **100% Single Pulse avalanche energy Test**

**Applications:**

Power switch circuit of adaptor and charger.

**Absolute** ( $T_c = 25^\circ\text{C}$  unless otherwise specified):

$V_{DSS}$	60	V
$I_D$	55	A
$P_D(T_c=25^\circ\text{C})$	150	W
$R_{DS(ON)Typ}$	8	$m\Omega$



Symbol	Parameter	Rating	Units
$V_{DSS}$	Drain-to-Source Voltage	60	V
$I_D$	Continuous Drain Current	55	A
	Continuous Drain Current $T_c = 100^\circ\text{C}$	42	A
$I_{DM}^{a1}$	Pulsed Drain Current	220	A
$V_{GS}$	Gate-to-Source Voltage	$\pm 20$	V
$E_{AS}^{a2}$	Single Pulse Avalanche Energy	320	mJ
$E_{AR}^{a1}$	Avalanche Energy ,Repetitive	30	mJ
$I_{AR}^{a1}$	Avalanche Current	2.5	A
$dv/dt^{a3}$	Peak Diode Recovery $dv/dt$	3.0	V/ns
$P_D$	Power Dissipation	85	W
	Derating Factor above $25^\circ\text{C}$	0.57	W/ $^\circ\text{C}$
$T_J, T_{stg}$	Operating Junction and Storage Temperature Range	175, $-55$ to 175	$^\circ\text{C}$
$T_L$	Maximum Temperature for Soldering	300	$^\circ\text{C}$

## Electrical Characteristics (Tc= 25°C unless otherwise specified):

OFF Characteristics						
Symbol	Parameter	Test Conditions	Rating			Units
			Min.	Typ.	Max.	
V <sub>DSS</sub>	Drain to Source Breakdown Voltage	V <sub>GS</sub> =0V, I <sub>D</sub> =250μA	60	--	--	V
ΔBV <sub>DSS</sub> /ΔT <sub>J</sub>	Bvdss Temperature Coefficient	I <sub>D</sub> =250uA, Reference 25°C	--	0.71	--	V/°C
I <sub>DSS</sub>	Drain to Source Leakage Current	V <sub>DS</sub> = 60V, V <sub>GS</sub> = 0V, T <sub>a</sub> = 25°C	--	--	1	μA
		V <sub>DS</sub> = 48V, V <sub>GS</sub> = 0V T <sub>a</sub> = 125°C			10	μA
I <sub>GSS(F)</sub>	Gate to Source Forward Leakage	V <sub>GS</sub> = +20V	--	--	100	nA
I <sub>GSS(R)</sub>	Gate to Source Reverse Leakage	V <sub>GS</sub> = -20V	--	--	-100	nA

ON Characteristics						
Symbol	Parameter	Test Conditions	Rating			Units
			Min.	Typ.	Max.	
R <sub>DS(ON)</sub>	Drain-to-Source On-Resistance	V <sub>GS</sub> =10V, I <sub>D</sub> =36A	--	8	10	mΩ
V <sub>GS(TH)</sub>	Gate Threshold Voltage	V <sub>DS</sub> = V <sub>GS</sub> , I <sub>D</sub> = 250μA	2.0		4.0	V
Pulse width tp ≤ 300μs, δ ≤ 2%						

Dynamic Characteristics						
Symbol	Parameter	Test Conditions	Rating			Units
			Min.	Typ.	Max.	
g <sub>fs</sub>	Forward Trans conductance	V <sub>DS</sub> =15V, I <sub>D</sub> =55A		65	--	S
C <sub>iss</sub>	Input Capacitance	V <sub>GS</sub> = 0V V <sub>DS</sub> = 25V f = 1.0MHz	--	4050		pF
C <sub>oss</sub>	Output Capacitance		--	280		
C <sub>rss</sub>	Reverse Transfer Capacitance		--	180		

Resistive Switching Characteristics						
Symbol	Parameter	Test Conditions	Rating			Units
			Min.	Typ.	Max.	
t <sub>d(ON)</sub>	Turn-on Delay Time	I <sub>D</sub> =27.5A V <sub>DD</sub> =30V R <sub>G</sub> =9.1Ω V <sub>GS</sub> = 10V	--	21	--	ns
t <sub>r</sub>	Rise Time		--	27	--	
t <sub>d(OFF)</sub>	Turn-Off Delay Time		--	63	--	
t <sub>f</sub>	Fall Time		--	30	--	
Q <sub>g</sub>	Total Gate Charge	I <sub>D</sub> =55A V <sub>DD</sub> =30V V <sub>GS</sub> = 10V	--	57		nC
Q <sub>gs</sub>	Gate to Source Charge		--	16		
Q <sub>gd</sub>	Gate to Drain ("Miller") Charge		--	13		



## Source-Drain Diode Characteristics

Symbol	Parameter	Test Conditions	Rating			Units
			Min.	Typ.	Max.	
$I_S$	Continuous Source Current (Body Diode)		--	--	55	A
$I_{SM}$	Maximum Pulsed Current (Body Diode)		--	--	220	A
$V_{SD}$	Diode Forward Voltage	$I_S=55A, V_{GS}=0V$	--	--	1.5	V
$t_{rr}$	Reverse Recovery Time	$I_S=55A, T_j = 25^\circ C$	--	42	--	ns
$Q_{rr}$	Reverse Recovery Charge	$dI_F/dt=100A/us, V_{GS}=0V$	--	85	--	nC
Pulse width $t_p \leq 300\mu s, \delta \leq 2\%$						

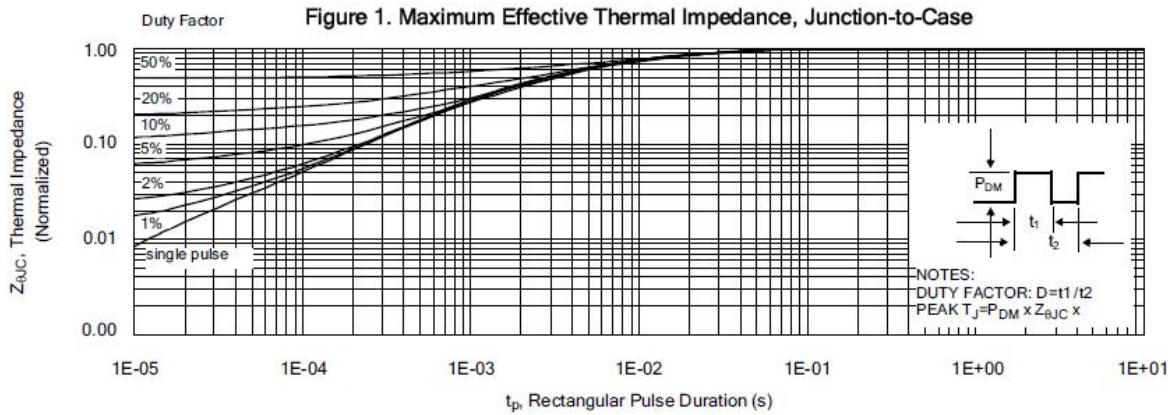
Symbol	Parameter	Typ.	Units
$R_{\theta JC}$	Junction-to-Case	1.76	$^\circ C/W$
$R_{\theta JA}$	Junction-to-Ambient	125	$^\circ C/W$

<sup>a1</sup>: Repetitive rating; pulse width limited by maximum junction temperature

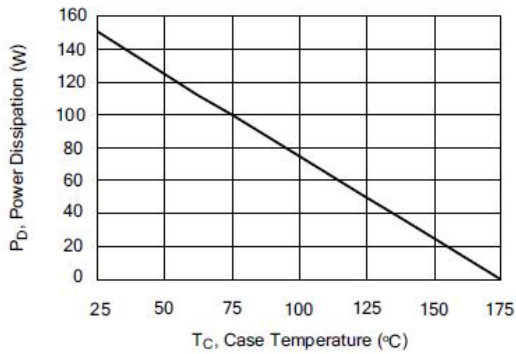
<sup>a2</sup>:  $L=10mH, I_D=8A, Start T_j=25^\circ C$

<sup>a3</sup>:  $I_{SD}=55A, di/dt \leq 200A/us, V_{DD} \leq BV_{DS}, Start T_j=25^\circ C$

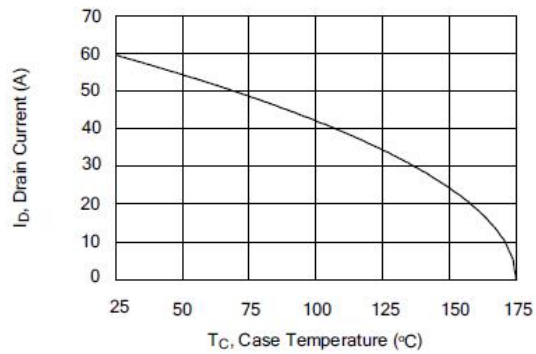
## Characteristics Curve:



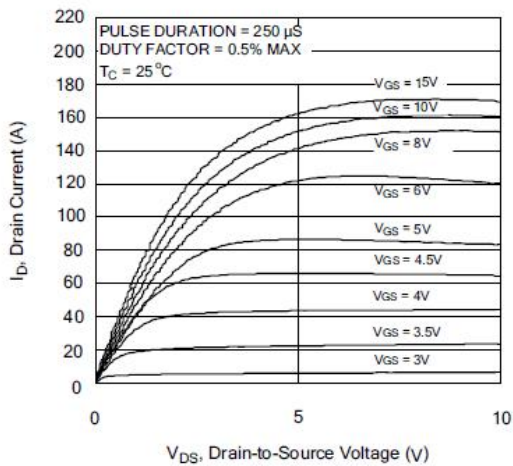
**Figure 2. Maximum Power Dissipation vs Case Temperature**



**Figure 3. Maximum Continuous Drain Current vs Case Temperature**



**Figure 4. Typical Output Characteristics**



**Figure 5. Typical Drain-to-Source ON Resistance vs Gate Voltage and Drain Current**

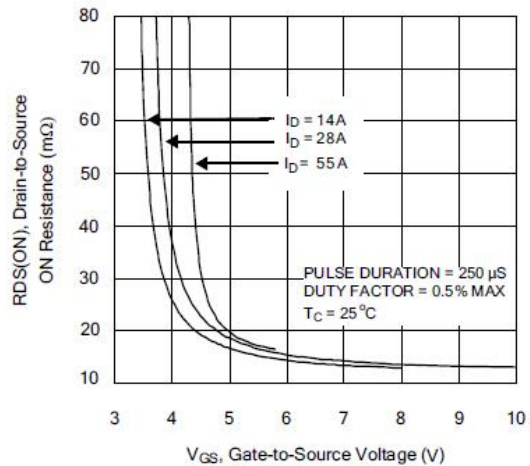


Figure 6. Maximum Peak Current Capability

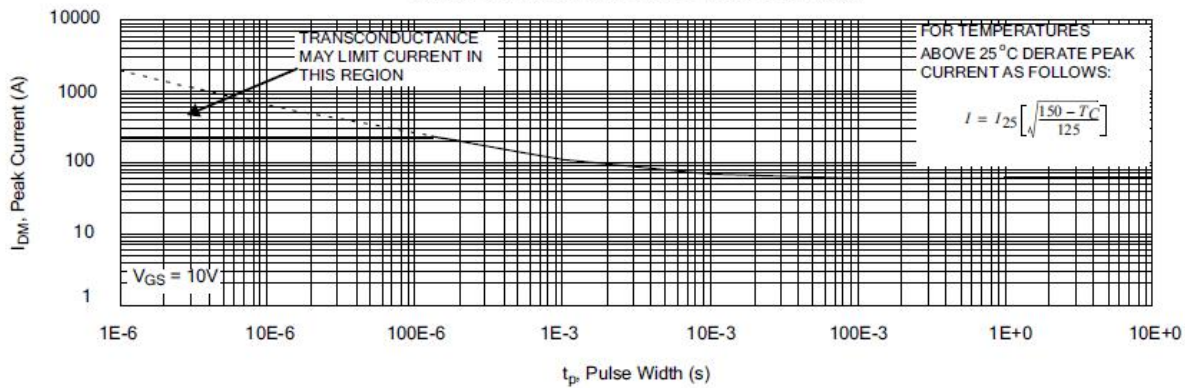


Figure 7. Typical Transfer Characteristics

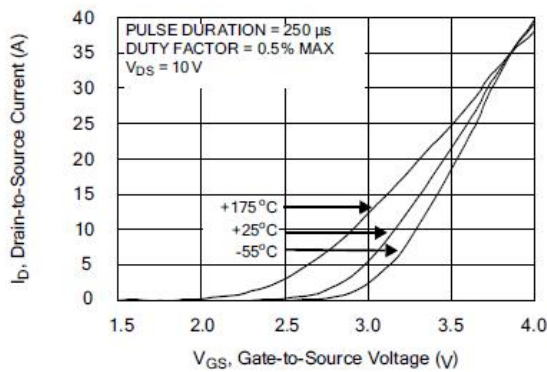


Figure 8. Unclamped Inductive Switching Capability

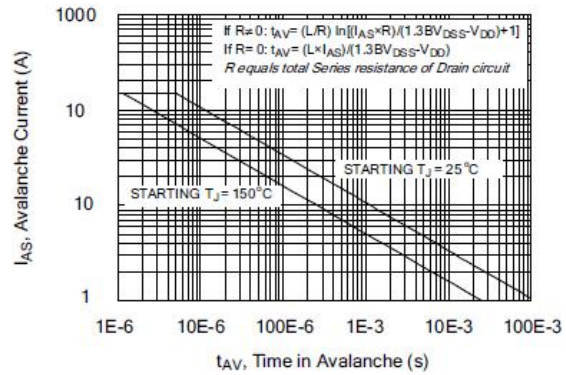


Figure 9. Typical Drain-to-Source ON Resistance vs Drain Current

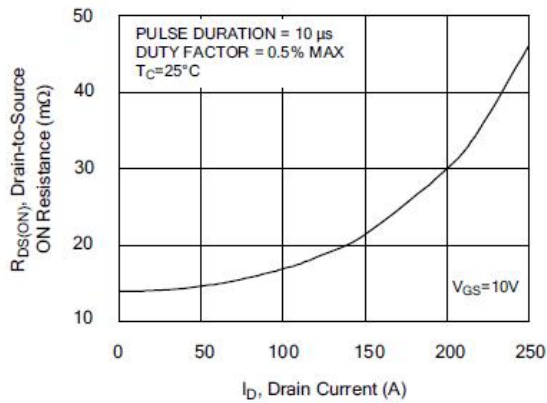
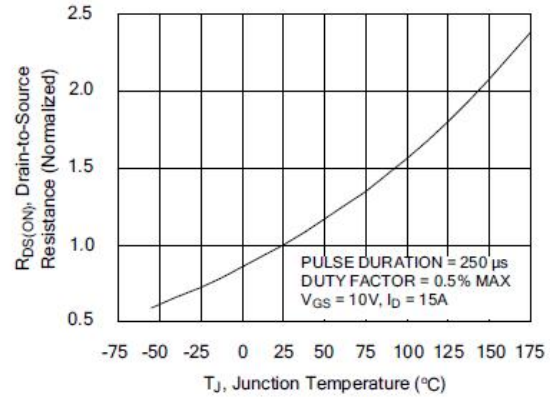
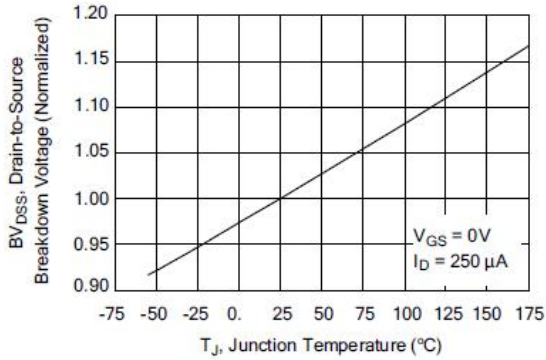


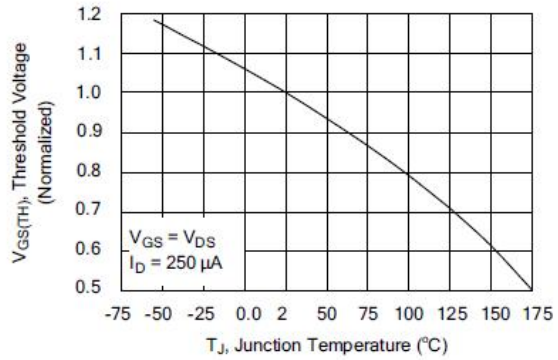
Figure 10. Typical Drain-to-Source ON Resistance vs Junction Temperature



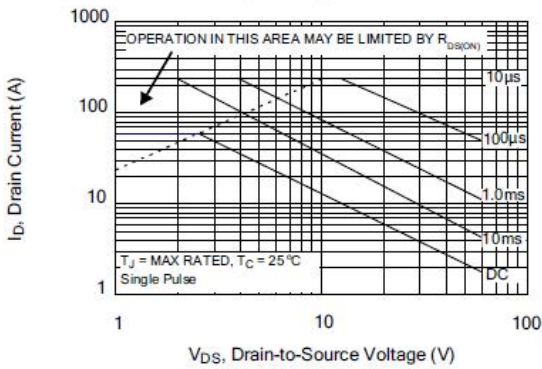
**Figure 11. Typical Breakdown Voltage vs Junction Temperature**



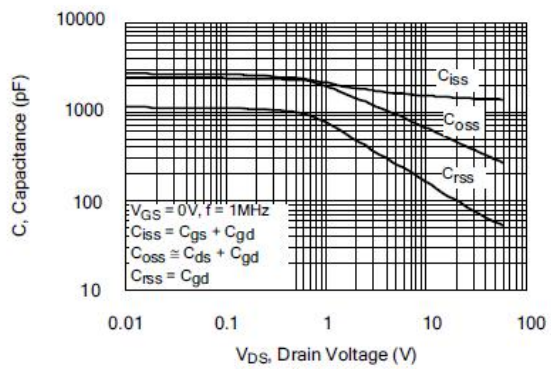
**Figure 12. Typical Threshold Voltage vs Junction Temperature**



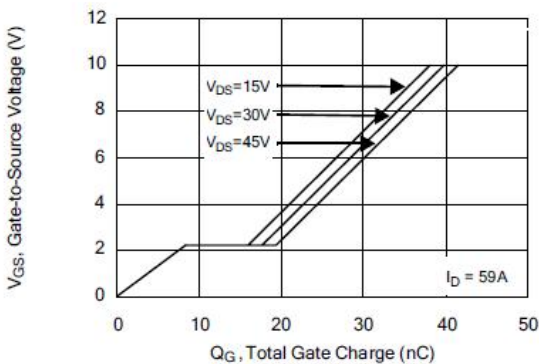
**Figure 13. Maximum Forward Bias Safe Operating Area**



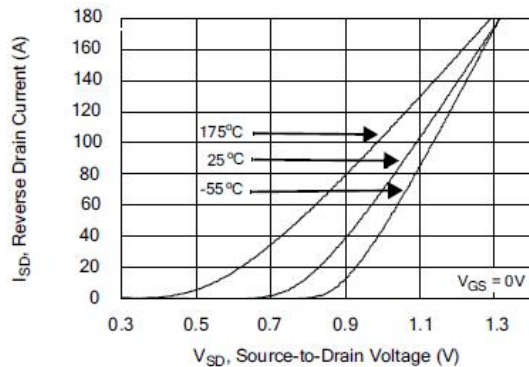
**Figure 14. Typical Capacitance vs Drain-to-Source Voltage**



**Figure 15. Typical Gate Charge vs Gate-to-Source Voltage**



**Figure 16. Typical Body Diode Transfer Characteristics**



## Test Circuit and Waveform



Figure 17. Gate Charge Test Circuit

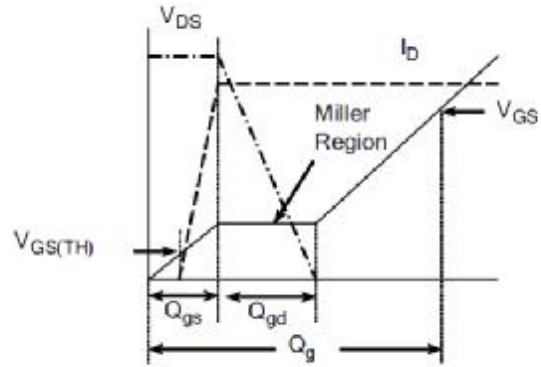


Figure 18. Gate Charge Waveform

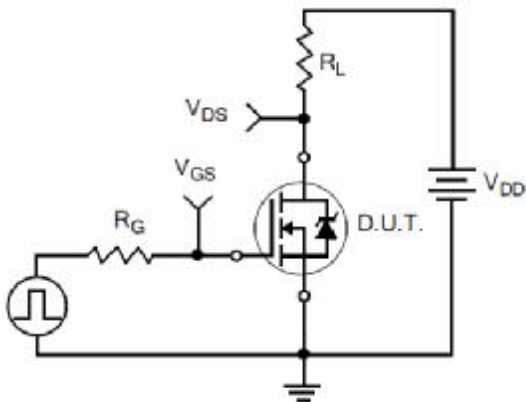


Figure 19. Resistive Switching Test Circuit

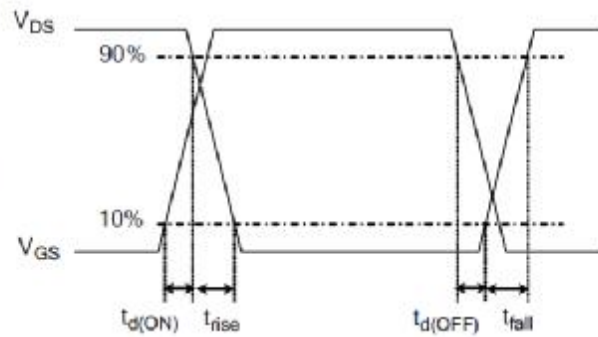


Figure 20. Resistive Switching Waveforms



Figure 21. Diode Reverse Recovery Test Circuit

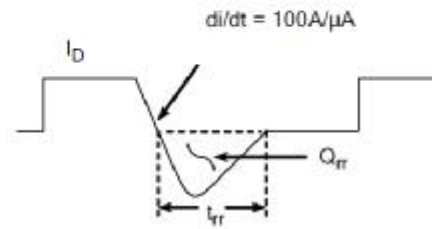


Figure 22. Diode Reverse Recovery Waveform



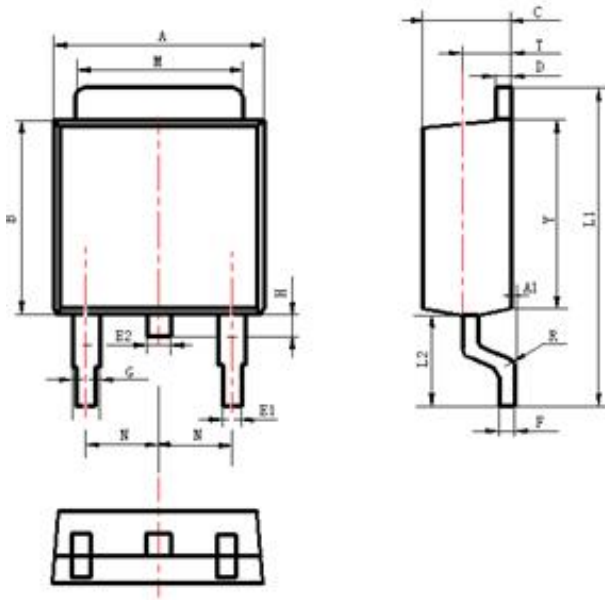
Figure 23. Unclamped Inductive Switching Test Circuit



Figure 24. Unclamped Inductive Switching Waveforms



## Package Information



Items	Values(mm)	
	MIN	MAX
A	6.30	6.90
A1	0	0.13
B	5.70	6.30
C	2.10	2.50
D	0.30	0.60
E1	0.60	0.90
E2	0.70	1.00
F	0.30	0.60
G	0.70	1.00
L1	9.60	10.30
L2	2.70	3.10
H	0.60	1.00
M	5.10	5.50
N	2.09	2.49
R	0.3	
T	1.40	1.60
Y	5.10	6.30

TO-252 Package



The name and content of poisonous and harmful material in products

Part's Name	Hazardous Substance					
	Pb	Hg	Cd	Cr(VI)	PBB	PBDE
Limit	≤0.1%	≤0.1%	≤0.01%	≤0.1%	≤0.1%	≤0.1%
Lead Frame	○	○	○	○	○	○
Molding Compound	○	○	○	○	○	○
Chip	○	○	○	○	○	○
Wire Bonding	○	○	○	○	○	○
Solder	×	○	○	○	○	○
Note	<p>○: means the hazardous material is under the criterion of SJ/T11363-2006.  ×: means the hazardous material exceeds the criterion of SJ/T11363-2006.  The plumbum element of solder exist in products presently, but within the allowed range of Eurogroup's RoHS.</p>					

Warnings

1. Exceeding the maximum ratings of the device in performance may cause damage to the device, even the permanent failure, which may affect the dependability of the machine. It is suggested to be used under 80 percent of the maximum ratings of the device.
2. When installing the heatsink, please pay attention to the torsional moment and the smoothness of the heatsink.
3. VDMOSFETs is the device which is sensitive to the static electricity, it is necessary to protect the device from being damaged by the static electricity when using it.
4. This publication is made by Huajing Microelectronics and subject to regular change without notice.

WUXI CHINA RESOURCES HUAJING MICROELECTRONICS CO., LTD.

Add: No.14 Liangxi RD. Wuxi, Jiangsu, China Mail:214061 <http://www.crhj.com.cn>  
Tel: +86 0510-85807228 Fax: +86- 0510-85800864

Marketing Part: Post: 214061 Tel: +86 0510-81805277/81805336  
Fax: +86 0510-85800360/85803016  
E-mail: [sales@hj.crmicro.com](mailto:sales@hj.crmicro.com)

Application and Service: Post: 214061 Tel / Fax: +86- 0510-81805243/81805110