



CS684 TO3

PNP SILICON DARLINGTON POWER TRANSISTORS

PNP epitaxial-base transistors in monolithic Darlington circuit for audio and video applications.

They are mounted in Jedec TO-3 metal package.

CS684 is the BD684 in TO3 package.

Compliance to RoHS.

ABSOLUTE MAXIMUM RATINGS

Symbol	Ratings	Value	Unit
$-V_{CEO}$	Collector-Emitter Voltage	140	V
$-V_{CBO}$	Collector-Base Voltage	140	V
$-V_{EBO}$	Emitter-Base Voltage	5	V
$-I_C$	Collector Current	$-I_C$	4
		$-I_{CM}$	6
$-I_B$	Base current (peak value)	$-I_{BM}$	0.1
P_T	Total power Dissipation	@ $T_{mb} = 25^\circ\text{C}$	65
T_J	<i>Junction Temperature</i>		150
T_{Stg}	Storage Temperature		-65 to +150
			Watts
			$^\circ\text{C}$
			$^\circ\text{C}$

THERMAL CHARACTERISTICS

Symbol	Ratings	Value	Unit
R_{thJ-mb}	Thermal Resistance, Junction to mounting base	3.12	K/W
R_{thJ-a}	Thermal Resistance, Junction to ambient in free air	100	K/W

CS684 TO3

ELECTRICAL CHARACTERISTICS

TC=25°C unless otherwise noted

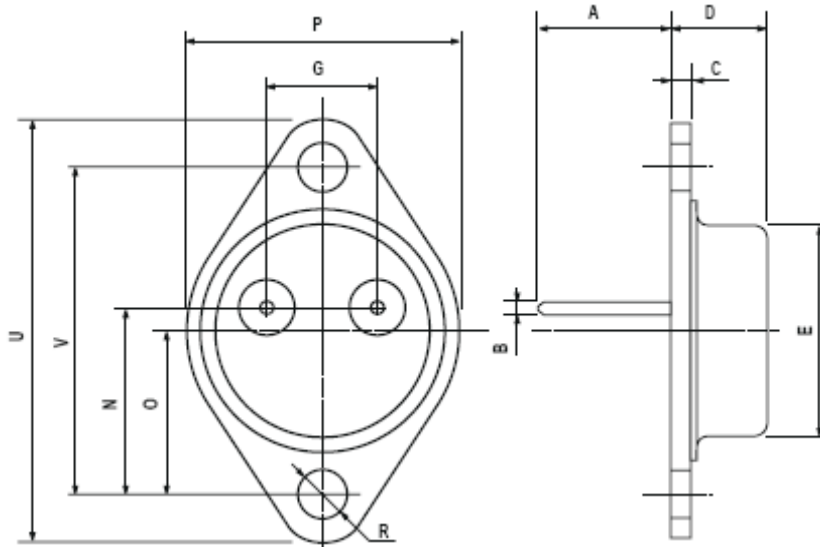
Symbol	Ratings	Test Condition(s)	Min	Typ	Max	Unit
$-I_{CBO}$	Collector cut-off current	$I_E=0, -V_{CB}=-V_{CEOMAX}=140\text{ V}$	-	-	0,2	mA
		$I_E=0, -V_{CB}=-1/2V_{CBOMAX}=70\text{ V}$ $T_j=150^\circ\text{C}$	-	-	1	
$-I_{CEO}$	Collector cut-off current	$I_B=0, -V_{CE}=-1/2V_{CEOMAX}=70\text{ V}$	-	-	0,2	mA
$-I_{EBO}$	Emitter cut-off current	$I_C=0, -V_{EB}=5\text{ V}$	-	-	5	mA
$-V_{CE(SAT)}$	Collector-Emitter saturation Voltage	$-I_C=1.5\text{ A}, -I_B=6\text{ mA}$	-	-	2	V
h_{FE}	DC Current Gain	$-V_{CE}=3\text{ V}, -I_C=500\text{ mA}$	-	2000	-	
		$-V_{CE}=3\text{ V}, -I_C=1,5\text{ A}$	750	-	-	
		$-V_{CE}=3\text{ V}, -I_C=4\text{ A}$	-	750	-	
$-V_{BE}$	Base-Emitter Voltage(1&2)	$-V_{CE}=3\text{ V}, -I_C=1,5\text{ A}$	-	-	2,5	V
h_{fe}	Small signal current gain	$-V_{CE}=3\text{ V}, -I_C=1,5\text{ A}, f=1\text{ MHz}$	10	-	-	
f_{hfe}	Ut-off frequency	$-V_{CE}=3\text{ V}, -I_C=1,5\text{ A}$	-	60	-	kHz
V_F	Diode forward voltage	$I_F=1,5\text{ A}$	-	1,5	-	V
$-I_{(SB)}$	Second-breakdown collector current	$-V_{CE}=50\text{ V}, t_p=20\text{ ms}, \text{non rep. without heatsink}$	0,8	-	-	A
t_{on}	Turn-on time	$-I_{con}=1,5\text{ A}, I_{bon}=-I_{boff}=6\text{ mA}$	-	0,8	2	μs
t_{off}	Turn-off time	$V_{CC}=30\text{ V}$	-	4,5	8	

1. Measured under pulse conditions : $t_p < 300\mu\text{s}$, $\delta < 2\%$.
2. V_{BE} decreases by about 3,6 mV/K with increasing temperature.

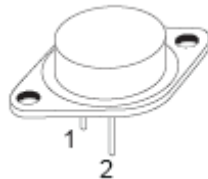
CS684 TO3

MECHANICAL DATA CASE TO-3

DIMENSIONS (mm)		
	min	max
A	11	13.10
B	0.97	1.15
C	1.5	1.65
D	8.32	8.92
F	19	20
G	10.70	11.1
N	16.50	17.20
P	25	26
R	4	4.09
U	38.50	39.30
V	30	30.30



Pin 1 :	Base
Pin 2 :	Emitter
Case :	Collector



Revised October 2012

Information furnished is believed to be accurate and reliable. However, Comset Semiconductors assumes no responsibility for the consequences of use of such information nor for any infringement of patents or other rights of third parties which may result from its use. Data are subject to change without notice. Comset Semiconductors makes no warranty, representation or guarantee regarding the suitability of its products for any particular purpose, nor does Comset Semiconductors assume any liability arising out of the application or use of any product and specifically disclaims any and all liability, including without limitation consequential or incidental damages. Comset Semiconductors' products are not authorized for use as critical components in life support devices or systems.