

DVD Processor for Low Cost DVD Players

Features

- 32-Bit RISC Processor, supported by RTOS, C/C++ compilers
- 32-bit DSP capable of AC-3, MPEG, DTS, MP3, and WMA
- Progressive Scan (480p) with 3:2 pull down support or Interlaced (PAL/NTSC) video encoding, both modes with Macrovision encoding, via three 10-bit Video DACs
- Serial DVD data interface for direct connection to low cost (track buffer-less) DVD loader
- Flexible interface connects ATAPI, local bus or microcontroller-less DVD loaders without external logic
- MPEG decoder supports VCD, VCD 3.0, SVCD, DVD video standards
- Advanced subpicture unit handles DVD and SVCD, and PAL<->NTSC scaling
- High quality video scaling for zoom and NTSC/PAL conversion
- 4-bit multi-region OSD and special video effects
- Simultaneous 8 channels PCM audio output and IEC-958.
- 2-Channel PCM audio input for high-end karaoke applications
- Three serial control/status ports
- Low-power, ~0.5 W power dissipation

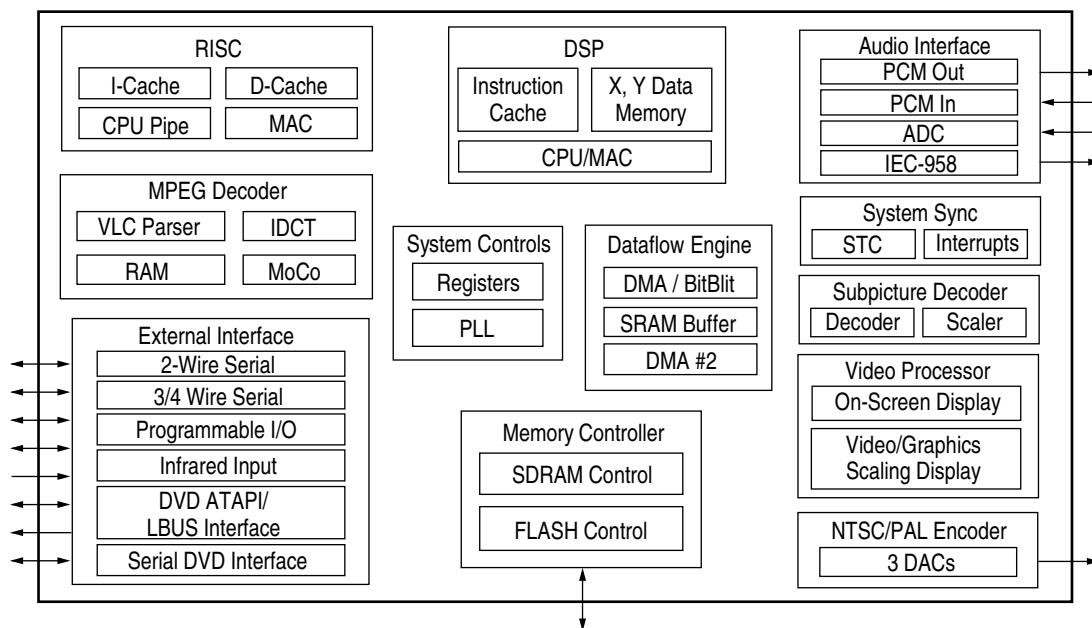
Description

Building on innovative, market-leading technology, Cirrus Logic presents the most complete DVD processor solution available: CS98100. The CS98100 provides the high-performance typical of Cirrus Logic integrated circuits, and on-chip integration that allows for seamless integration of functions. Among the integrated functions in this system-on-chip architecture is a high quality NTSC/PAL encoder with a triple 10-bit video DAC, allowing for a significant decrease in system cost.

Not only is the CS98100 equipped with an intuitive on-screen display and user interface, but the CS98100 also offers progressive output, DTS decoding, HDCD support, and MP3 plus WMA decoding. Other advanced features include karaoke down-mix. The low cost extended feature set makes the CS98100 ideal for both low-end and high-end system manufacturers.

ORDERING INFORMATION

CS98100-CM 0° to 70° C 208-pin MQFP



Preliminary Product Information

This document contains information for a new product. Cirrus Logic reserves the right to modify this product without notice.

TABLE OF CONTENTS

1. CHARACTERISTICS AND SPECIFICATIONS	5
1.1 AC and DC Parametric Specifications	5
1.1.1 Absolute Maximum Rating	5
1.1.2 Recommended Operating Conditions	5
1.1.3 Electrical Characteristics	5
1.2 AC Characteristics	7
1.2.1 ATAPI Interface	7
1.2.2 SDRAM Interface	8
1.2.3 DVD Serial Interface Timing	11
1.2.4 Digital Video Interface Timing	12
1.2.5 Digital Audio Interface Timing	13
1.2.6 ROM/NVRAM Interface	15
1.2.7 Miscellaneous Timings	17
2. TYPICAL APPLICATION	18
2.1 CS98100 Device Summary	18
3. FUNCTIONAL DESCRIPTION	20
3.1 RISC Processor	20
3.2 DSP Processor	20
3.3 Memory Control	20
3.4 Dataflow Control (DMA)	20
3.5 System Control Functions	20
3.6 DVD/ATAPI Interface	21
3.7 Serial DVD Interface	21
3.8 MPEG Video Decoding	21
3.9 Audio Processing	21
3.10 Video Processing	22
3.11 Video Encoder	22
4. MEMORY MAP AND REGISTERS	23
4.1 Processor Memory Map	23

Contacting Cirrus Logic Support

For all product questions and inquiries contact a Cirrus Logic Sales Representative.

To find one nearest you go to www.cirrus.com/en/contacts/sales.

IMPORTANT NOTICE

"Preliminary" product information describes products that are in production, but for which full characterization data is not yet available. "Advance" product information describes products that are in development and subject to development changes. Cirrus Logic, Inc. and its subsidiaries ("Cirrus") believe that the information contained in this document is accurate and reliable. However, the information is subject to change without notice and is provided "AS IS" without warranty of any kind (express or implied). Customers are advised to obtain the latest version of relevant information to verify, before placing orders, that information being relied on is current and complete. All products are sold subject to the terms and conditions of sale supplied at the time of order acknowledgment, including those pertaining to warranty, patent infringement, and limitation of liability. No responsibility is assumed by Cirrus for the use of this information, including use of this information as the basis for manufacture or sale of any items, or for infringement of patents or other rights of third parties. This document is the property of Cirrus and by furnishing this information, Cirrus grants no license, express or implied under any patents, mask work rights, copyrights, trademarks, trade secrets or other intellectual property rights. Cirrus owns the copyrights of the information contained herein and gives consent for copies to be made of the information only for use within your organization with respect to Cirrus integrated circuits or other parts of Cirrus. This consent does not extend to other copying such as copying for general distribution, advertising or promotional purposes, or for creating any work for resale.

An export permit needs to be obtained from the competent authorities of the Japanese Government if any of the products or technologies described in this material and controlled under the "Foreign Exchange and Foreign Trade Law" is to be exported or taken out of Japan. An export license and/or quota needs to be obtained from the competent authorities of the Chinese Government if any of the products or technologies described in this material is subject to the PRC Foreign Trade Law and is to be exported or taken out of the PRC.

CERTAIN APPLICATIONS USING SEMICONDUCTOR PRODUCTS MAY INVOLVE POTENTIAL RISKS OF DEATH, PERSONAL INJURY, OR SEVERE PROPERTY OR ENVIRONMENTAL DAMAGE ("CRITICAL APPLICATIONS"). CIRRUS PRODUCTS ARE NOT DESIGNED, AUTHORIZED, OR WARRANTED TO BE SUITABLE FOR USE IN LIFE-SUPPORT DEVICES OR SYSTEMS OR OTHER CRITICAL APPLICATIONS. INCLUSION OF CIRRUS PRODUCTS IN SUCH APPLICATIONS IS UNDERSTOOD TO BE FULLY AT THE CUSTOMER'S RISK.

Cirrus Logic, Cirrus, and the Cirrus Logic logo designs are trademarks of Cirrus Logic, Inc. All other brand and product names in this document may be trademarks or service marks of their respective owners.

Purchase of I²C components of Cirrus Logic, Inc., or one of its sublicensed Associated Companies conveys a license under the Phillips I²C Patent Rights to use those components in a standard I²C system.

4.2 Host Port Memory Map	23
4.3 Internal IO Space Map	24
4.4 CS98100 Register Space	24
5. PIN DESCRIPTIONS	37
6. PIN ASSIGNMENTS	38
6.1 Miscellaneous Pins	46
6.2 Serial Interface	47
6.3 SDRAM Interface	48
6.4 ROM/NVRAM Interface	49
6.5 Digital Video Output Interface	50
6.6 Audio Output/Input Interface	51
6.7 Host Master/ATAPI Interface	52
6.8 DVD I/O Channel Interface	53
6.9 DVD Serial Data Interface	54
6.10 Video Encoder Interface	55
6.11 General Purpose Input/Output (GPIO)	56
6.12 Power and Ground	57
7. 208 PIN MQFP PACKAGE SPECIFICATIONS	58

LIST OF FIGURES

Figure 1. ATAPI Interface Timing Diagram	7
Figure 2. SDRAM Refresh Transaction.....	8
Figure 3. SDRAM Burst Read Transaction	9
Figure 4. SDRAM Burst Write Transaction	9
Figure 5. CS98100 SDRAM Read and Write	10
Figure 6. CS98100 DVD Serial Interface Timing Diagram.....	11
Figure 7. CS98100 Digital Video Interface Timing Diagram	12
Figure 8. Digital Audio In Timing Diagram	13
Figure 9. Digital Audio Out Timing Diagram.....	14
Figure 10. ROM/NVRAM Reading Timing	15
Figure 11. ROM/NVRAM Write Timing	16
Figure 12. Miscellaneous Timings.....	17
Figure 13. CS98100 Application	18
Figure 14. CS98100 Pin Layout.....	37
Figure 15. CS98100 208-Pin MQFP Package Drawing	58

LIST OF TABLES

Table 1. ATAPI Interface Characteristics	7
Table 2. SDRAM Interface Characteristics	8
Table 3. CS98100 DVD Interface Characteristics.....	11
Table 4. CS98100 Digital Video Interface Characteristics	12
Table 5. Digital Audio In Characteristics	13
Table 6. Digital Audio Out Characteristics	14
Table 7. RAM/NVRAM Characteristics	15
Table 8. Miscellaneous Timing Characteristics.....	17
Table 9. Memory Map - RISC Processor	23
Table 10. Host Port Memory Map	23
Table 11. Internal IO Space Map	24
Table 12. CS98100 Register Map and Blocks	24
Table 13. CS98100 Registers	25

Table 14. Pin Type and Direction Legend	37
Table 15. Pin Assignments.....	38
Table 16. Miscellaneous Interface Pins.....	46
Table 17. Serial Interface Pin Assignments	47
Table 18. SDRAM Interface Pin Assignments.....	48
Table 19. ROM/NVRAM Interface Pin Assignments	49
Table 20. Video Output Interface Pin Assignments.....	50
Table 21. Audio Output Interface Pin Assignments.....	51
Table 22. Host Master Interface Pin Assignments	52
Table 23. DVD I/O Channel Interface Pin Assignments.....	53
Table 24. DVD Serial Data Interface Pin Assignments	54
Table 25. Video Encoder Interface Pin Assignments	55
Table 26. General Purpose I/O Interface Pin Assignments.....	56
Table 27. Power and Ground	57

1. CHARACTERISTICS AND SPECIFICATIONS

1.1 AC AND DC PARAMETRIC SPECIFICATIONS

(AGND, DGND=0V, all voltages with respect to 0V)

1.1.1 ABSOLUTE MAXIMUM RATING

Symbol	Description	Min	Max	Unit
VDD _{IO}	Power Supply Voltage on I/O ring	-0.5	4.6	Volts
VDD _{CORE}	Power Supply Voltage on core logic and PLL	-0.5	2.5	Volts
V _I	Digital Input Applied Voltage (power applied)	-0.5	5.5	Volts
I _I	Digital Input Forced Current	-10	10	mA
I _O	Digital Output Forced Current	-50	50	mA
T _{SOL}	Lead Soldering Temperature		260	°C
T _{VSOL}	Vapor Phase Soldering Temperature		235	°C
T _{STOR}	Storage Temperature (no power applied)	-40	125	°C
T _{AMB}	Ambient Temperature (power applied)	0	70	°C
P _{total}	Total Power consumption		2	W

CAUTION: Operating beyond these Minimum and Maximum limits can result in permanent damage to the device. Cirrus Logic recommends that CS98000 devices operate at the settings described in the next table.

1.1.2 RECOMMENDED OPERATING CONDITIONS

Parameter	Symbol	Min	Typ	Max	Units
Supply Voltage, IO	V _{DD}	3.0	3.3	3.6	Volts
Supply Voltage, core and PLL	V _{DD}	1.62	1.8	1.98	Volts
Ambient Temperature (power applied)	T _{AMB}	0	25	70	°C

1.1.3 ELECTRICAL CHARACTERISTICS

Parameter	Symbol	Conditions	Min	Typ	Max	Units
Power Supply						
Supply Voltage, IO	V _{DD}		3.0	3.3	3.6	Volts
Supply Voltage, core and PLL	V _{DD}		1.62	1.8	1.98	Volts
Supply Current, IO	I _{DD}	Normal Operating		45		mA
Supply Current, core and PLL	I _{DD}	Normal Operating		210		mA
Digital Pins						
Input Voltage, High	V _{IH}		2.2			Volts
Input Voltage, Low	V _{IL}				0.8	Volts

Parameter	Symbol	Conditions	Min	Typ	Max	Units
Input Current	I_{IN}	$V_{IN} = V_{DD}$ or V_{SS}	-1		+1	μA
Input Pull up/down resistor	R_I			75		$K\Omega$
Output Voltage, High	V_{OH}	@ buffer rating	2.4			Volts
Output Voltage, Low	V_{OL}	@ buffer rating			0.4	Volts
High-Z-state Leakage	I_{OZ}	$V_{OUT} = V_{SS}$ or V_{DD}	-1		+1	μA
Analog Video Pins						
Full Scale Current	I_{FS}	$R_L = 37.5 \Omega$		34		mA
Output Voltage Range	V_{IO}	$R_L = 37.5 \Omega$		1.28		Volts
DAC to DAC matching ¹	MAT			2		%
Output Voltage Range	V_{out}	$R_L = 37.5 \Omega$			1.28	Volts
Differential Gain	DG			1		%
Differential Phase	DP			0.5		deg
Signal to Noise	SNR			74		dB
Chrominance AM Noise	AM			80		dB
Chrominance PM Noise	PM			75		dB

¹ Only applies each set of three.

1.2 AC CHARACTERISTICS

(TA= 25°C; VDD_PLL=VDD_CORE=1.8 V±10%, VDD_IO=3.3 V±10%)

1.2.1 ATAPI Interface

The CS98100 can interface with ATAPI-type slave loader gluelessly. Figure 1 illustrates a read ATAPI transaction and a write ATAPI transaction. PIO mode 4 is implemented for sufficient data transfer rate between ATAPI device and the CS98100.

See Table 1 for the ATAPI symbols and characterization data.

Symbol	Description	Min	Typ	Max	Unit
t_{acyc}^1	Cycle Time	87			ns
t_{aavr}	Address Valid to HMRD-/HMWR- Setup	7			ns
t_{ah}	Address Hold from HMRD-/HMWR Setup	8			ns
t_{arww}	H_RD/H_WR Pulse Width	58			ns
t_{arec}	H_RD/H_WR Recovery Time	19			ns
t_{awsu}	H_WR Data Setup	20			ns
t_{awh}	H_WR Data Hold	4			ns
t_{ardsu}	H_RD Data Setup	20			ns
t_{arddh}	H_RD Data hold	0			ns
t_{ardts}	H_RD Data three-state			7	ns
t_{arsu}	H_RDY Setup Time			14	ns
t_{arh}^1	H_RDY Hold Time	0			ns

Table 1. ATAPI Interface Characteristics

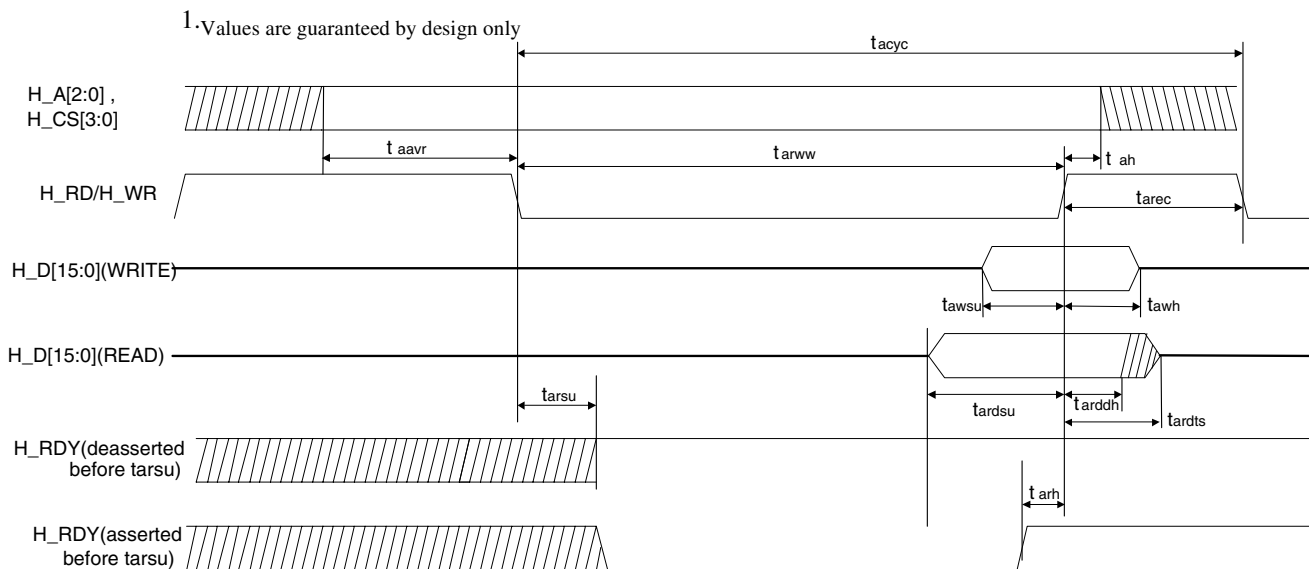


Figure 1. ATAPI Interface Timing Diagram

1.2.2 SDRAM Interface

The CS98100 interfaces with either SDRAM or SGRAM, for high data bandwidth transfer. Figure 5 and Table 2 show the interface pin timing. Figure 2 shows the refresh cycle performed by the CS98100. Figure 3 shows a burst read (length = 8) transaction, while Figure 4 shows a burst write (length=8) transaction. In both Figure 3 and Figure 4, CAS latency is programmed to 3.

Symbol	Description	Min	Typ	Max	Unit
t _{mco}	Output Delay from DR_CKO active edge			9	ns
t _{mper}	DR_CKO Period	11	12.2		ns
t _{mdow}	DR_D[31:0] delay from DR_CKO			9.1	ns
t _{mhw}	DR_D[31:0] valid time after DR_CKO	1.5			ns
t _{msur} ¹	DR_D[31:0] setup to DR_CKO	3.9			ns
t _{msurd} ¹	DR_D[31:0] setup to DR_CKO with delay	4.3			ns
t _{mhr} ¹	DR_D[31:0] hold time after DR_CKO	1.85			ns
t _{mhrd} ¹	DR_D[31:0] hold time after DR_CKO with delay	1.3			ns

Table 2. SDRAM Interface Characteristics

¹Delay is programmable by selecting the DRAM_Input_Speed bit of the Command Register(0x000)

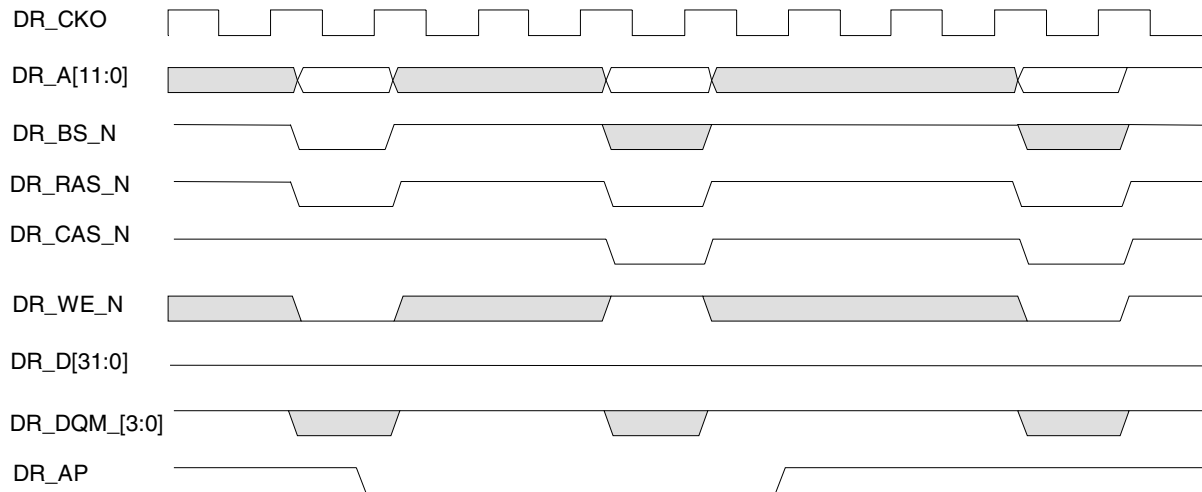


Figure 2. SDRAM Refresh Transaction

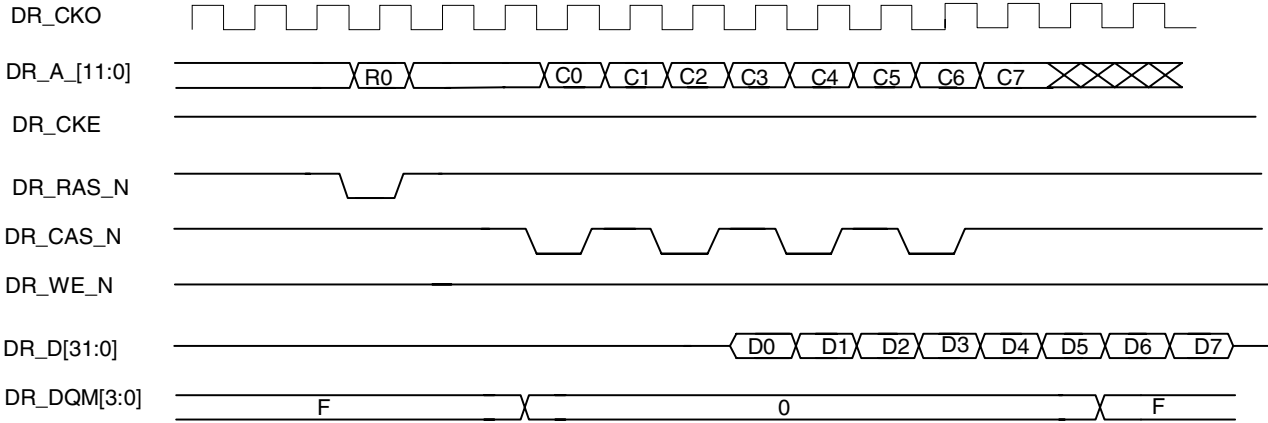


Figure 3. SDRAM Burst Read Transaction

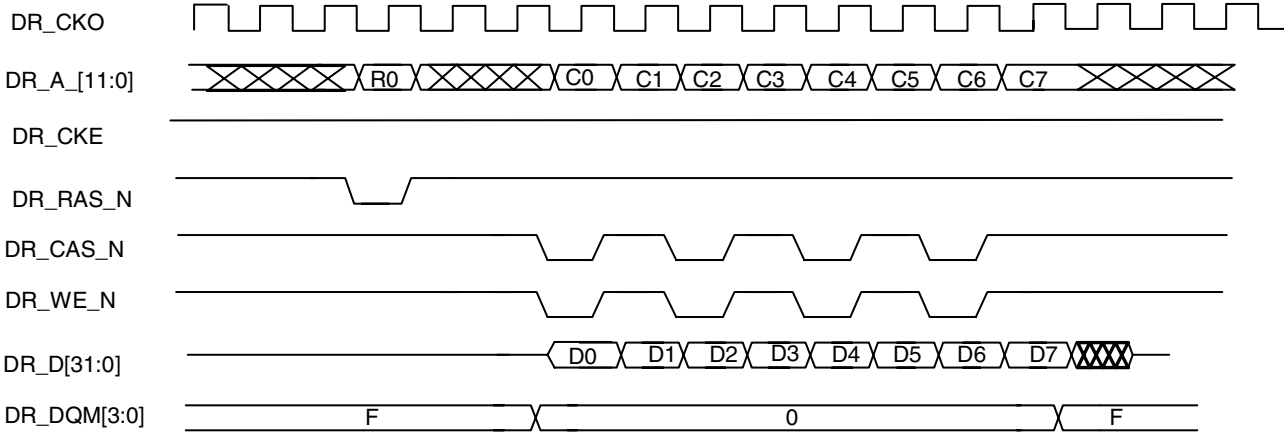


Figure 4. SDRAM Burst Write Transaction

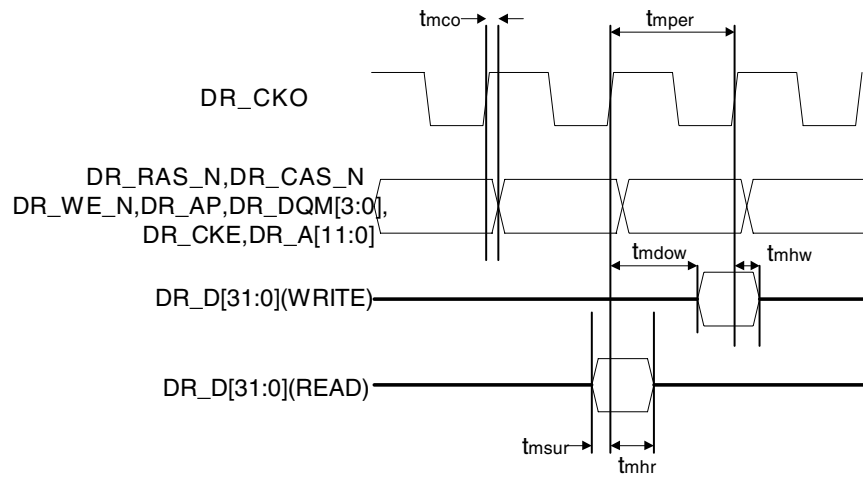


Figure 5. CS98100 SDRAM Read and Write

1.2.3 DVD Serial Interface Timing

Figure 6 and Table 3 illustrate the signal timing for the DVD serial interface input pins.

Symbol	Description	Min	Typ	Max	Unit
$t_{dsckper}^1$	DVDS_CLK Period	33			ns
t_{dsckl}^1	DVDS_CLK Low Time	40	50		%
t_{dsckh}^1	DVDS_CLK High Time	40	50		%
t_{dsdsu}	DVDS_DATA Setup to DVDS_CLK active edge	4			ns
t_{dsdhd}	DVDS_DATA Hold after DVDS_CLK active edge	0			ns
t_{dscdsu}	DVDS_VLD, DVDS_SOS Setup to DVDS_CLK	3			ns
t_{dscdhd}	DVDS_VLD, DVDS_SOS Hold after DVDS_CLK	0			ns

Table 3. CS98100 DVD Interface Characteristics

¹ Values are guaranteed by design only

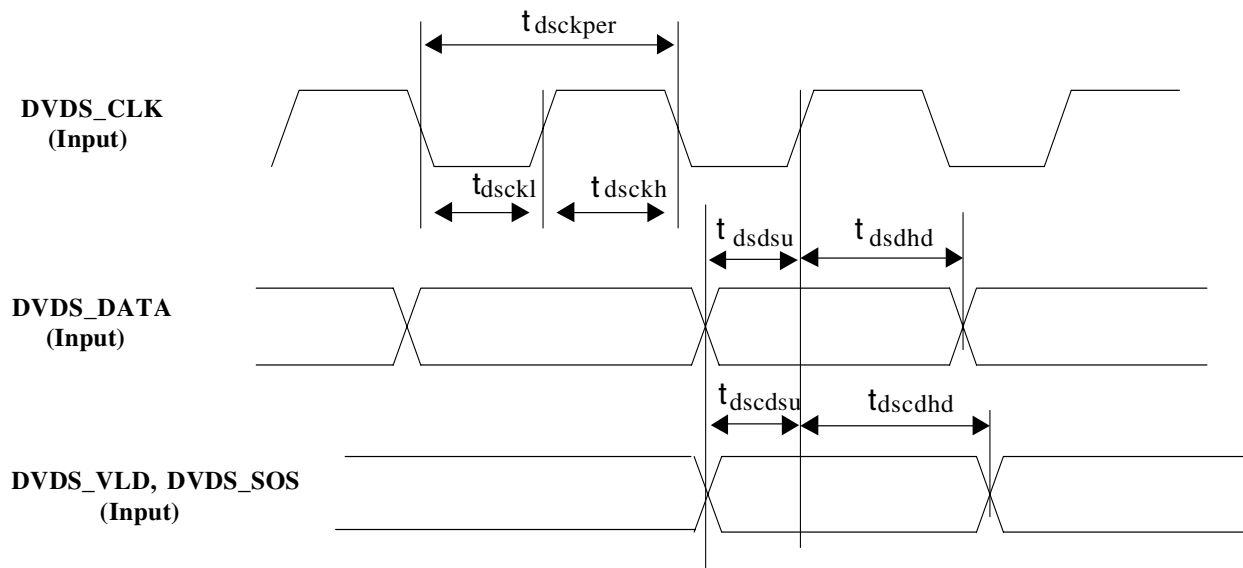


Figure 6. CS98100 DVD Serial Interface Timing Diagram

1.2.4 Digital Video Interface Timing

Figure 7 illustrates the signal timing for the digital video interface pins. The clock is without a polarity to show the clock may be inverted by register programming. This also illustrates that data is clocked out on both clock edges in progressive mode. The data order is Cr,Y0,Cb,Y1, and the sync outputs may be programmed as active high or active low.

Symbol	Description	Min	Typ	Max	Unit
t_{vocper}^1	CLK27_O period		37.037		ns
t_{covo1}^2	V DAT[7:0] delay from CLK27_O	-10		10	ns
t_{covo2}^2	Vsync/Hsync delay from CLK27_O	-10		10	ns

Table 4. CS98100 Digital Video Interface Characteristics

1. Values are guaranteed by design only

2. It is recommended that the output data should be taken at the opposite edge of the CLK27_O.

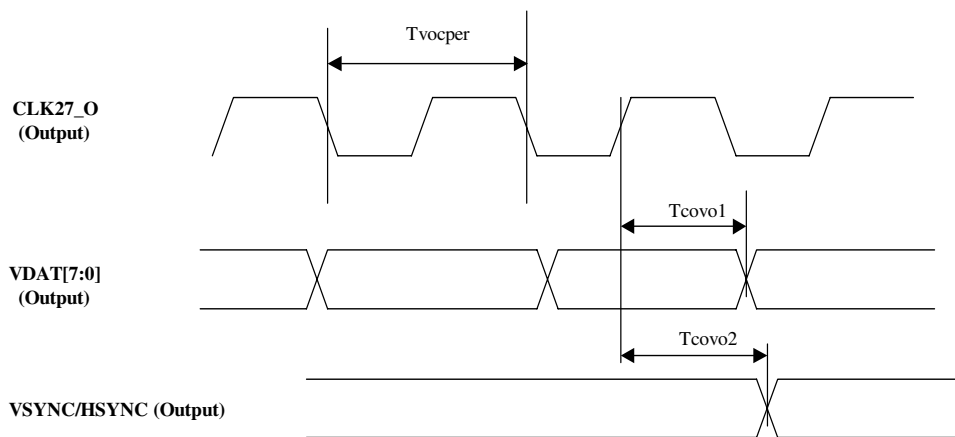


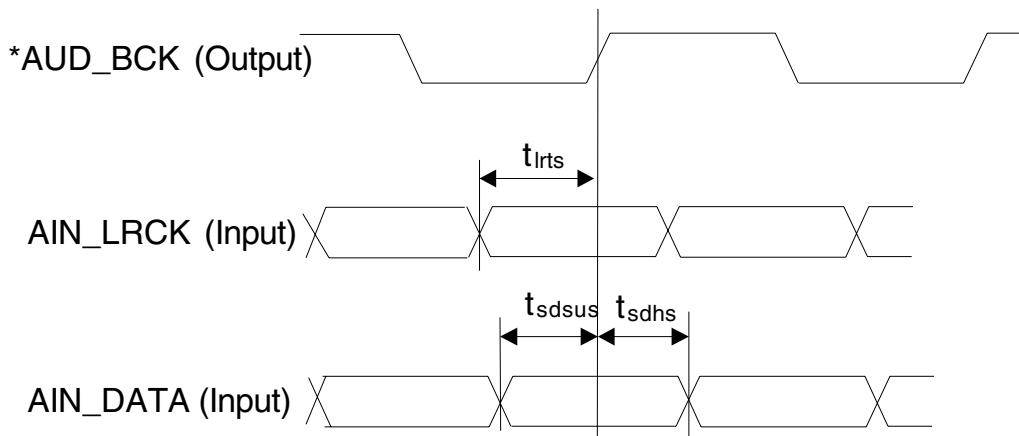
Figure 7. CS98100 Digital Video Interface Timing Diagram

1.2.5 Digital Audio Interface Timing

Figure 8 and Figure 9 illustrate the signal timing for the digital audio pins. The bi-directional AUD_XCK pin clocks at 8x the frequency of the AUD_BCK pin. The AUD_BCK pin outputs at 32x or 48x of the sample frequency, and transitions on the falling edge of the AUD_XCK pin. AUD_BCK is shown without polarity to indicate the polarity is programmable.

Symbol	Description	Min	Typ	Max	Unit
t_{slri}	AIN_LRCK setup to AUD_BCK active edge	25		-	ns
t_{sdi}	AIN_DATA setup to AUD_BCK active edge	25		-	ns
t_{hsdi}	AIN_DATA hold time after AUD_BCK active edge	1		-	ns

Table 5. Digital Audio In Characteristics



* Active clock edge is programmable. Timing is referenced from active edge.

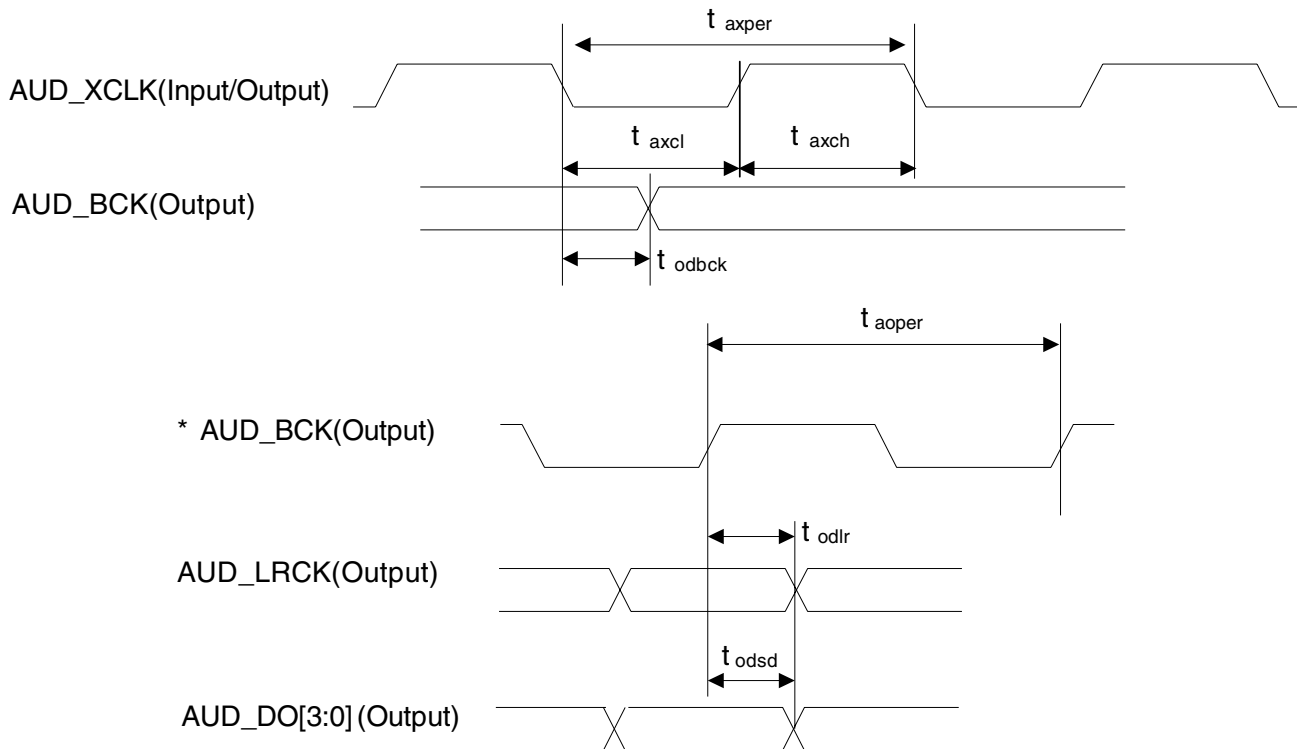
Figure 8. Digital Audio In Timing Diagram

Symbol	Description	Min	Typ	Max	Unit
t_{axch}^1	AUD_XCLK High Time (AUD_XCLK is Input/Output)	40	50		%
t_{axcl}^1	AUD_XCLK Low Time (AUD_XCLK is Input/Output)	40	50		%
t_{axper}	AUD_XCLK period (Input/Output)	27			ns
t_{odbck}	AUD_BCK delay from AUD_XCLK(output) active edge			10	ns
t_{odbck}	AUD_BCK delay from AUD_XCLK(input) active edge			21	ns
t_{aoper}	AUD_BCK period	216			ns
t_{odlr}^2	AUD_LRCK delay from AUD_BCK active edge	-10		10	ns
t_{odsd}^2	AUD_D[3:0] delay from AUD_BCK active edge	-10		10	ns

Table 6. Digital Audio Out Characteristics

1-Values are guaranteed by design only

2-It is recommended that the output data should be taken at the opposite edge of the AUD_BCK.



* Active clock edge is programmable. Timing is referenced from active edge.

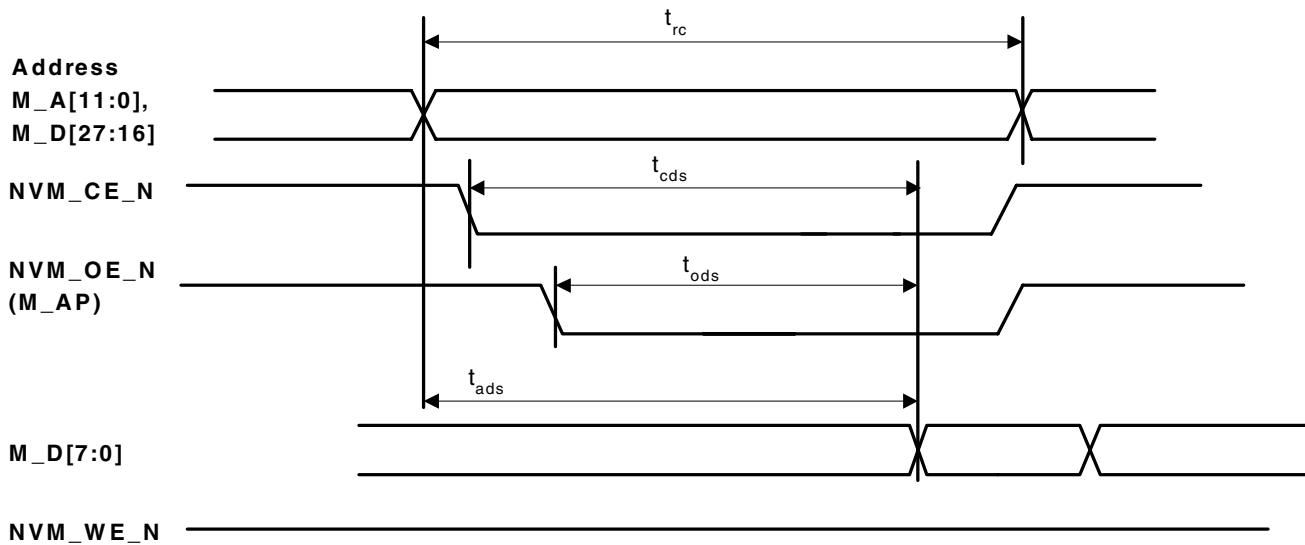
Figure 9. Digital Audio Out Timing Diagram

1.2.6 ROM/NVRAM Interface

Symbol	Description	Min	Typ	Max	Unit
t_{rc}	Read Cycle Time	98			ns
t_{cds}	CE to Data Setup			80	ns
t_{ods}	OE to Data Setup			70	ns
t_{ads}	Address to Data Setup			90	ns
t_{aws}	Address to WE setup (Write)	20			ns
t_{cws}	CE to WE setup (Write)	5			ns
t_{wp}	WE Pulse Width (Write)	160			ns
t_{wdo}	CE to Data Output (Write)		-5		ns
t_{dh}	WE to Data Hold (Write)	10			ns

Table 7. RAM/NVRAM Characteristics

Note: Read timing based on 10.5 ns memory clock and 4 programmed wait states.


Figure 10. ROM/NVRAM Reading Timing

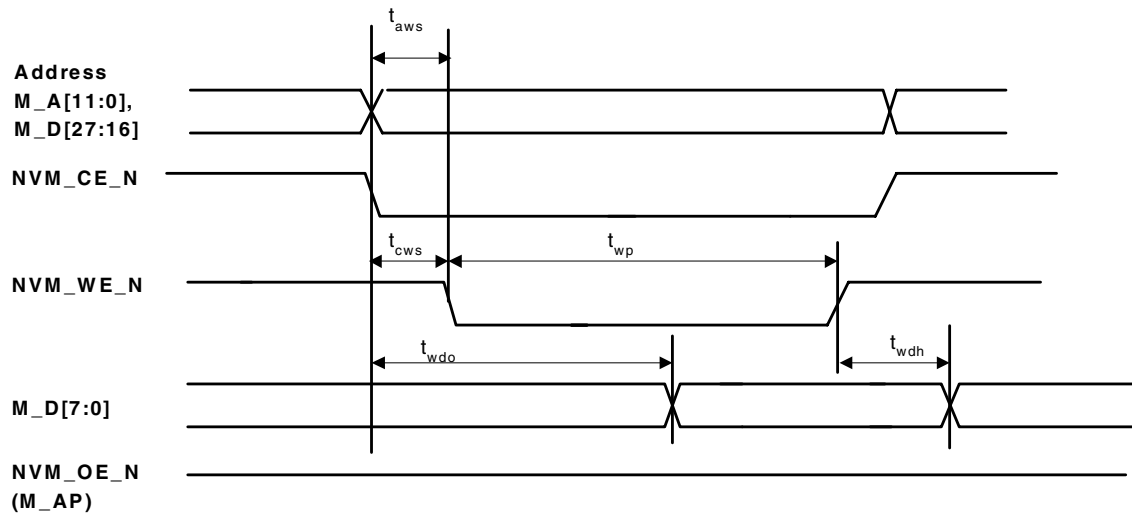


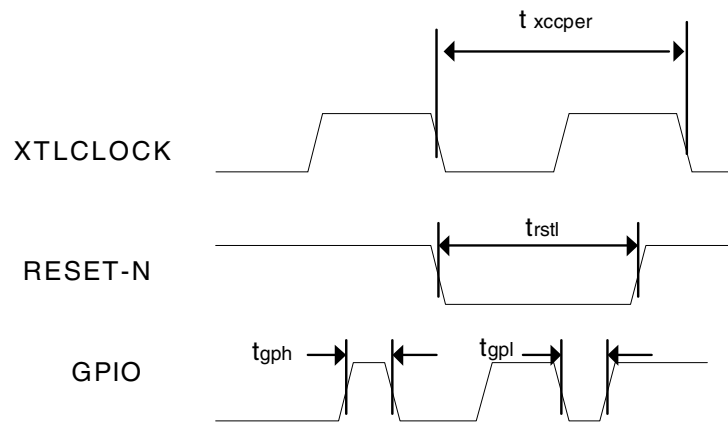
Figure 11. ROM/NVRAM Write Timing

1.2.7 Miscellaneous Timings

Symbol	Description	Min	Typ	Max	Unit
txclper ¹	XTLCLK period		37.037		ns
trstl	RST_N Low Pulse Width	1000			ns
tgph	GPIO PW High	50			ns
tgpl	GPIO PW Low	50			ns

Table 8. Miscellaneous Timing Characteristics

¹·XTLCLK must meet the requirement of external the video encoder for correct chroma (27 MHz ± 1 KHz).


Figure 12. Miscellaneous Timings

2. TYPICAL APPLICATION

Figure 13 shows an example of a complete high-end DVD solution using the CS98100.

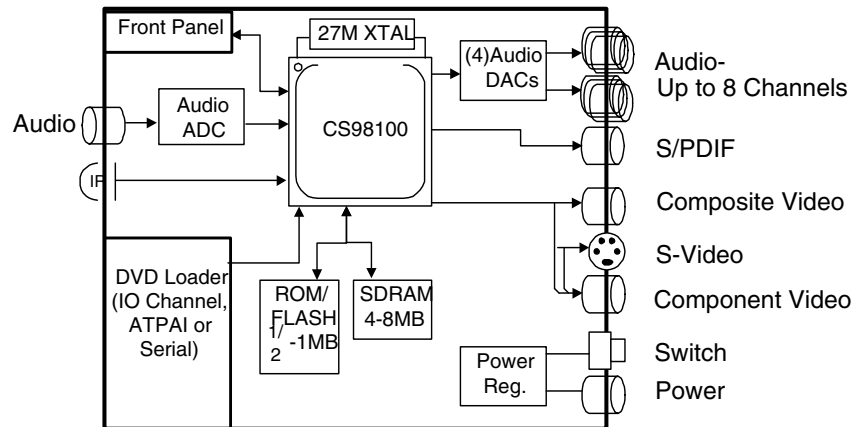


Figure 13. CS98100 Application

2.1 CS98100 Device Summary

RISC-32

- Powerful 32-bit RISC processor
- Optimizing C compiler and source level debugger
- Big or little endian data formats supported
- MAC multiply/accumulate in two cycles with C support.
- 4 Kbyte instruction cache, 2 Kbyte data cache.
- Single cycle instructions run at 90 MHz.

DSP-32

- Powerful 24/32-bit DSP processor
- 24-bit fixed point logic, with 54-bit accumulator.
- Single-cycle throughput, 2-cycle latency multiply accumulate, 32-bit simple integer logic.
- 8 Kbyte instruction cache, 12 Kbyte program visible local memory
- Single cycle instructions run at 90 MHz.

SYSTEM CONTROLS

- Include several hardware lockable semaphore registers
- General-purpose registers for inter-processor

communication

- 32-bit timers for I/O and other uses, with programmable interval rates
- Both hardware and software interrupts on data or debug
- Performance monitors which measures DRAM bandwidth, usage, and RSK performance
- Built in PLLs generate all required clocks from 27 MHz input clock.

Memory Controller

- Supports SDRAM, and SGRAM, from 2 MBytes to 32 MBytes.
- Supports multiple banks of FLASH and ROM up to 32 MBytes.
- 32-bit data bus for DRAM, 8 or 16-bit data bus for ROM.

DATA FLOW ENGINE

- Two DMA controllers – local memory based and direct memory-to-memory
- 2432 bytes of internal memory, DMA to/from main RAM into local SRAM.
- Supports endian conversion and byte, short,

long data formats on DMA.

- Supports block transfers for graphics bit blits.

MPEG VIDEO DECODER

- Supports VCD1.0, 1.1, 2.0 and 3.0, SVCD, and DVD video standards.
- Supports trick features, including smooth 2x forward play.
- Special anti-tearing logic controls picture decode and presentation.
- Advanced error concealment hardware.

SYSTEM SYNCHRONIZATION

- System time clock (STC) for audio/video synchronization
- Flexible interrupt structure for controlling decode and presentation times
- Hardware scheduling of sub-picture and highlight events

AUDIO INTERFACE

- Supports 8 channels PCM, I²S at up to 24 bits and 96 kHz output rate.
- Simultaneous IEC-958 output with programmable channel status and user data
- Also supports S/PDIF receiver for high performance applications

EXTERNAL INTERFACE

- 2-wire serial master and slave port, second 2-wire master port for controlling DVD device.
- 3- or 4-wire serial master/slave port.
- Large number of programmable bi-directional I/O pins.
- All pins not used for other function can be re-assigned as general purpose I/O pins
- 8 pins can be used as edge or level detection interrupt pins.
- Hardware-assisted support for infrared remote devices, such as remote control, infrared keyboard, mouse, printer, and more.
- Programmable parallel host master interface supports formats including ATAPI, ISA, and more.

- IO channel interface supports standard DVD loader protocols

- Separate serial DVD interface to support low-cost (track buffer-less) loaders

VIDEO PROCESSOR

- On screen display module supports 2-bit or 4-bit, pixel modes. It supports 3 separate regions and 16 transparency overlay levels
- High quality scaling using 16 tap polyphase programmable vertical and horizontal filters, to support any size image up to 768x576.
- Multiple video plain overlays (main video / subpicture / picture-in-picture / on-screen display).
- Gamma Correction.
- Progressive scan video output

VIDEO ENCODER

- Three 10-bit video DACs, drive 37.5Ω load directly without external buffering
- Supports PAL (B,D,G,H,I,N) and NTSC
- Component (RBG or YUV) or composite + S-Video output
- Progressive or interlaced mode output
- Macrovision 7.1 support (interlaced) and Macrovision 1.03 support (progressive)
- Wide-screen signaling support (interlaced and progressive) and CGMS support

- Closed captioning support

SUB-PICTURE PROCESSOR

- Run-length decode DVD sub-pictures and SVCD OGT formats
- Hardware vertical scaling supports NTSC-PAL format conversion
- 16 level alpha blending

System Functions

- 208-pin MQFP package.
- All I/O pins are 3V with 5V tolerance.
- Advanced 0.18 micron CMOS technology.
- Chip runs at 90 MHz
- Supports Low power modes and clock shutoff.

3. FUNCTIONAL DESCRIPTION

3.1 RISC Processor

The CS98100 includes a powerful, proprietary 32-bit RISC processor with optimizing C compiler support. The RISC has a MIPS-compatible instruction set, as well as a MAC engine which performs multiply/accumulate in 2 cycles in a pipelined fashion with C support, effectively achieving single cycle throughput. The CS98100 fully supports many Real Time Operating Systems (RTOS). The RISC processor co-ordinates on-chip multi-threaded tasks, as well as supervises system activities such as remote control and VFD front panel control.

3.2 DSP Processor

The CS98100 contains a proprietary digital signal processor (DSP) which is optimized for audio applications. The DSP performs 32-bit simple integer operations, and has a 24-bit fixed point logic unit, with a 54-bit accumulator. There are 32 general-purpose registers, and eight independent address generation registers, featuring: post-increment ALU, linear and circular buffer operations, bit reverse ALU operations, and dual operand read from memory. The multiply-accumulator has single-cycle throughput, with two cycle latency. The DSP is optimized for bit packing and unpacking operations. The interface to main memory is designed for bursting flexible block sizes and skip counts.

3.3 Memory Control

The DRAM Interface performs the SDRAM control and arbitration functions for all the other modules in the CS98100. The DRAM interface services and arbitrates a number of clients and stores their code and/or data within the local memory. This arbitration and scheduling guarantees the allocation of sufficient bandwidth to the various clients. The DRAM Interface supports up to 32 MByte. For a typical DVD player application, CS98100 requires 8 MByte of SDRAM and 1 MByte of FLASH.

Sharing the same interface, the CS98100 also supports flash ROM, OTP, or masked ROM interface. Code is stored in ROM. After the system is booted, the code is shadowed inside DRAM for execution. FLASH ROM interface is provided so that the code can be upgraded in field once the communication channel is established via, for example, CD-R or serial port. Utility software will be provided to debug and upgrade code for the system manufacturer.

3.4 Dataflow Control (DMA)

The DMA controller moves data between the external memory and an internal memory. The external memory address can be specified using a register, or in FIFO mode, using start and end address registers. Separate start/end address registers are used for DMA read and write operations. The DMA interface also has a block transfer function, which allows for the transfer of one block of data from one external memory location to another external memory location. In effect, combining a DMA read and write into one operation. In addition, the DMA write operation allows for byte, short, word, and other types of masking. A second dedicated DMA controller provides for fast memory-to-memory transfers.

3.5 System Control Functions

The system control functions are used to coordinate the activities of the multiple processors, and to provide the supporting system operations. Four 32-bit communication registers are available inter-processor communication, and eight semaphore registers are used for resource locking. Timers are available for general-purpose functions, as well as more specialized functions such as watchdog timers and performance monitoring. The large number of general purpose I/Os offers flexibility in system configurations.

Three separate serial interfaces, conforming to industry-standard protocols, are available for a vari-

ety of system interface functions. Interrupts can be generated on specific or generic events. Infrared inputs can be filtered of glitches or stored unfiltered into memory. Power-down control of the internal clocks is also possible. Internal PLLs are used to generate the internal system and memory clocks, and audio clocks of any widely used frequency.

3.6 DVD/ATAPI Interface

The CS98100 has a programmable interface port, which can be configured to connect to industry standard CD/DVD loaders without external glue logic. The CD/DVD interface fully supports a wide range of popular CD/DVD loaders. The interface consists of DVD control and data ports, and an optional CD control/data port. The CS98100 hardware manages the DVD interface and moving data to an arbitrary size input FIFO in DRAM.

The same interface pins can be optionally configured as a generic 16-bit host master port. In this mode, the CS98100 can control up to four devices (using 4 chip select outputs), each of which may use different protocol and timing. The interface can be set up in ATAPI mode, to connect directly to any ATAPI DVD loader (using two chip selects). Simultaneously, the other two chip selects can be configured to connect to other devices, such as a super I/O chip or hard disk.

A third option is to configure the interface for micro-less DVD loader operation, which may also be configured to connect without external glue logic.

3.7 Serial DVD Interface

The CS98100 has a 4-pin serial port which interfaces to the data port of popular low-cost DVD loaders. This type of loader provides for low system cost by eliminating the track buffer, interface FIFO, and flow control logic. The CS98100 contains a large internal SRAM to handle high burst data rates, without requiring reverse flow control. The track buffer resides in the CS98100 SDRAM, which reduces system complexity and simplifies the software architecture. The CS98100 performs

error detection, sector number tracking, and interrupt generation.

3.8 MPEG Video Decoding

Compressed MPEG data is read from the DVD disk into an input FIFO in DRAM. The data flow (DMA) controller moves Video packets from the input FIFO into the MPEG decoder's input FIFO (also in DRAM). The DMA controller can also perform advanced functions such as start code search, relieving the RISC processor. The System Sync function is used to control the timing of MPEG picture decoding. The MPEG Video decoder processes I, B and P frames, and writes to video frame buffers in DRAM, for output to the display. Special anti-tearing logic ensures currently displayed frame buffers are not overwritten.

3.9 Audio Processing

Compressed Audio data is read from the DVD disk into an input FIFO in DRAM. The data is decompressed, then written to a PCM output FIFO, also in DRAM. Presentation time stamps (PTS) are extracted from the stream to update the STC, in order to maintain audio/video synchronization. The DMA and decompression stages of audio processing can be done with a combination of the DMA unit, DSP and RISC processors. The DSP is optimized for audio processing, so most common formats can be handled by the DSP alone, including AC-3, MPEG2 audio, and others. The DSP has enough reserve bandwidth to handle the Karaoke echo-mix and pitch shift, and AC-3 down-mix functions.

The audio output data is written into a DRAM FIFO in 16, 18, 20 or 24-bit PCM format. A flexible audio output stage can simultaneously output 8 channels of PCM data to audio DACs, plus an IEC-958 encoded output, at up to 96 kHz. The IEC-958 output has fully programmable channel status (commercial), and provides a flexible solution to support all IEC-958 modes for User Data.

The audio interface also includes a flexible PCM input interface, which can input a wide range of protocols from IEC-958 receiver. Another, low-cost approach for audio input is the internal sigma-delta demodulator. This module inputs a digital PWM version of the audio input, which can be created on the board using an inexpensive ramp generator and comparator. The sigma-delta demodulator uses a set of programmable filters to reconstruct 9-bit (mono) audio data at up to 12 kHz sampling frequency.

3.10 Video Processing

The CS98100 Video processor is a powerful, fully programmable video post processing engine that displays video on an interlaced TV or a progressive HDTV. A 16-tap polyphase vertical filter is fully programmable on a line-by-line basis, to provide high quality vertical scaling and interlaced field conversion. Horizontal filtering is done with a programmable 16-tap polyphase filter. This advanced filter processing is used for de-interlacing, zoom, and frame size conversion.

Source mode of interlaced or progressive is determined from the disk type automatically. For progressive source detection, 3:2 pulldown is detected from status flags in the video stream to ensure optimized playback. Interlaced video source is filtered up to progressive size output using the bilinear vertical filter. This is visibly superior to simple line doubling. Each 240 line field being filtered and output at 480p. Progressive video source is output at the full progressive resolution. Each 480 line frame output at 480p. Source mode of interlaced or progressive is determined from the disk type. For progressive source detection, 3:2 pull-down is simply detected from status flags in the video stream.

Zoom is fully programmable, from 1X to 500X zoom, with any value in between. Frame type conversion, from NTSC to PAL, or PAL to NTSC, is done with a the bilinear vertical filter, reducing

flicker and jaggies.

There is a programmable gamma-correction look-up table for the final output. Cirrus Logic provides some easy to use utilities in order to get the best advantage of the powerful video filtering capabilities of the CS98100. The video encoder sends progressive or interlaced digital video data to the internal video encoder, and can output parallel digital data to an external video encoder.

The video processor also allows multiple video plain overlay (main video / sub-picture / on-screen display). The sub-picture unit is a hardware-only solution which performs high-quality vertical scaling for PAL/NTSC conversion, and full support for DVD (sub-picture) and SVCD (OGT) modes. The on-screen display unit features 2-bit and 4-bit pixels, 16 transparency levels, and three independent regions of up to full-screen size. The picture-in-picture unit can place a 1/2 or 1/4 screen sized window anywhere on the screen. This feature can be used for special effects, such as snapshot freeze and zoom assist.

3.11 Video Encoder

The video encoder uses three 10-bit DACS to convert digital data to component (RGB or $Y_{P_R P_B}$) or composite (composite plus S-Video) analog video. The output can be interlaced (PAL/NTSC) or high resolution progressive. In progressive mode, the video encoder will typically drive $Y_{P_R P_B}$ to a 525-line television at 59.94 Hz, although other output modes are possible, such as 625 lines and RGB. The encoder performs the Macrovision copy protection function for all modes (revision 7.1 for interlaced, revision 1.03 for progressive). Other features include built-in voltage reference, color bar generator, individual power-down control for each DAC, programmable baseband filters, color/contrast/tint controls, Closed Captioning (interlaced modes), wide screen signalling (PAL mode), and Copy Generation Management System (NTSC and progressive modes).

4. MEMORY MAP AND REGISTERS

4.1 Processor Memory Map

The CS98100 externally supports up to 32 Mbytes DRAM and 16 Mbytes ROM/NVRAM. Table 9 lists the memory map as viewed by the RISC processor, and identifies whether each segment is mapped or cacheable.

Processor byte address	Description	Cacheable
0000_0000 – 07FF_FFFF	DRAM (mapped)	Y
8000_0000 - 81FF_FFFF	DRAM (32 Mbytes)	Y
9400_0000 – 9CFF_FFFF	16 bit NVRAM write (16 Mbytes)	N
9C00_0000 – 9CFF_FFFF	16 bit NVRAM/ROM (16 Mbytes)	Y
9D00_0000 – 9DFF_FFFF	8 bit NVRAM/ROM (16 Mbytes)	Y
A000_0000 – A1FF_FFFF	DRAM (32 Mbytes)	N
B000_0000 – B003_FFFF	Internal I/O (256 Kbytes)	N
B400_0000 – BCFF_FFFF	16 bit NVRAM write (16 Mbytes)	N
BC00_0000 – BCFF_FFFF	16 bit NVRAM/ROM (16 Mbytes)	N
BD00_0000 – BDFF_FFFF	8 bit NVRAM/ROM (16 Mbytes)	N
C000_0000 – FFFF_FFFF	DRAM (mapped)	Y

Table 9. Memory Map - RISC Processor

4.2 Host Port Memory Map

Table 10 lists the memory map as viewed by host slave port.

Host byte address	Description
0000 0000 – 003F FFFF	Internal I/O Space
1000 0000 – 13FF FFFF	DRAM space (16 Mbytes)
1400 0000 – 17FF FFFF	NVRAM space (16 Mbytes)

Table 10. Host Port Memory Map

4.3 Internal IO Space Map

Table 11 shows how the Internal IO space is mapped between general registers, internal SRAM ports, and the RISC processor debug port.

Byte address offset	Description
0_0000 – 0_2FFF	General registers
0_3000 – 1_FFFF	General Internal SRAM
2_0000 – 2_FFFF	RISC Internal SRAM/Registers

Table 11. Internal IO Space Map

4.4 CS98100 Register Space

Table 12 lists the register groups, and how they are split among the main CS98100 functional blocks.

CS98100 Register	Block
000xx, 010xx	General
001xx	Host
002xx	DRAM Controller (DRC)
003xx	DMA
004xx	CD/DVD Interface
005xx	Serial DVD (DVDS)
006xx	DSP
007xx	Sync Control
008xx	MPEG Video Decoder
00Axx	Picture-in-picture
00Bxx	Video Processor
00Cxx	Subpicture Display
00Dxx	On-screen Display
00Exx	PCM In/Out
02xxxx	RISC Processor

Table 12. CS98100 Register Map and Blocks

Table 13 lists all the registers for the CS98100 and their addresses, and indicates whether the registers are read/write (R/W), read only (RO) or write only (WO).

Address	Type	Function	Register Name
0	R/W	General	Command
10	R/W	General	InterProc_Comm_Register_0
14	R/W	General	InterProc_Comm_Register_1
18	R/W	General	InterProc_Comm_Register_2
10C	R/W	General	InterProc_Comm_Register_3
20	R/W	General	Semaphore_Register_0
24	R/W	General	Semaphore_Register_1
28	R/W	General	Semaphore_Register_2
02C	R/W	General	Semaphore_Register_3
30	R/W	General	Semaphore_Register_4
34	R/W	General	Semaphore_Register_5
38	R/W	General	Semaphore_Register_6
03C	R/W	General	Semaphore_Register_7
40	RO	General (Genio)	GenIO_Read_Data
44	R/W	General (Genio)	GenIO_Write_Data
48	R/W	General (Genio)	GenIO_Three_State_Enable
04C	R/W	General (Genio)	GenIO_Positive_Edge
50	R/W	General (Genio)	GenIO_Negative_Edge
54	R/W	General (Genio)	GenIO_Interrupt_Status
58	R/W	General (Genio)	GenIO_Positive_Edge_Mask
05C	R/W	General (Genio)	GenIO_Negative_Edge_Mask
60	R/W	General (Genio)	GenIO_Level_Mask
1040	RO	General (Genio)	GenIO2_Read_Data
1044	R/W	General (Genio)	GenIO2_Write_Data
1048	R/W	General (Genio)	GenIO2_Three_State_Enable
1064	R/W	General (Genio)	GenIO2_Mode
1068	RO	General (Genio)	GenIODVD_Read_Data
106C	R/W	General (Genio)	GenIODVD_Write_Data

Table 13. CS98100 Registers

Address	Type	Function	Register Name
1070	R/W	General (Genio)	GenIODVD_Three_State_Enable
1074	R/W	General (Genio)	GenIODVD_Mode
68	R/W	General (Serial IF1)	Ser1_Mstr_Byte_Read_Subaddress_Write
06C	R/W	General (Serial IF1)	Ser1_Mstr_Write_1Byte
70	R/W	General (Serial IF1)	Ser1_Mstr_Write_2Bytes
74	R/W	General (Serial IF1)	Ser1_Mstr_Control
78	RO	General (Serial IF1)	Ser1_Mstr_Status
07C	RO	General (Serial IF1)	Ser1_Mstr_Read_Data
80	R/W	General (Interrupt)	RSK_Interrupt_Mask
84	WO	General (Interrupt)	RSK_Interrupt_Set
88	R/W	General (Interrupt)	RSK_Interrupt_Status
08C	RO	General (Interrupt)	RSK_Interrupt_Cause
90	R/W	General (Interrupt)	DSP_Interrupt_Mask
94	WO	General (Interrupt)	DSP_Interrupt_Set
98	R/W	General (Interrupt)	DSP_Interrupt_Status
09C	RO	General (Interrupt)	DSP_Interrupt_Cause
0A0	R/W	General (Interrupt)	RSK_Interrupt_Mask2
0A4	WO	General (Interrupt)	RSK_Interrupt_Set2
0A8	R/W	General (Interrupt)	RSK_Interrupt2_Status
0AC	RO	General (Interrupt)	RSK_Interrupt_Cause2
0B0	R/W	General (Interrupt)	DSP_Interrupt_Mask2
0B4	WO	General (Interrupt)	DSP_Interrupt_Set2
0B8	R/W	General (Interrupt)	DSP_Interrupt2_Status
0BC	RO	General (Interrupt)	DSP_Interrupt_Cause2
0C0	R/W	General (Timer)	Timer_0
0C4	R/W	General (Timer)	Timer_1
0C8	R/W	General (Timer)	Timer_2
0CC	R/W	General (Timer)	Timer_3
0D0	R/W	General (Timer)	Timer_Control
0D4	RO	General (Timer)	Performance_Monitor_Count

Table 13. CS98100 Registers (Continued)

Address	Type	Function	Register Name
0D8	R/W	General (Timer)	Timer_M_Over_N
0DC	R/W	General (IR)	IR_Glitch_Max
0E0	R/W	General (IR)	IR_Control
0E4	R/W	General (IR)	IR_Dram_Start_Address
0E8	R/W	General (IR)	IR_Dram_End_Address
0EC	RO	General (IR)	IR_Dram_Write_Address
0F0	R/W	General (PLL)	PLL_Control_Register1
10F0	R/W	General (PLL)	Low_Power_Clock_Control
0F4	R/W	General (PLL)	PLL_Control_Register2
0F8	R/W	General (PLL)	PLL_Turn_Off
10F8	R/W	General (PLL)	PLL_Monitor
0FC	R/W	General (PLL)	PLL_Clock_Divider
1000	R/W	General (DMA)	DMA2_Source_Addr
1004	R/W	General (DMA)	DMA2_Dest_Addr
1008	R/W	General (DMA)	DMA2_Size
10B0	R/W	General (Serial IF2)	Ser2_Mstr_Write_Data_0
10B4	R/W	General (Serial IF2)	Ser2_Mstr_Write_Data_1
10B8	R/W	General (Serial IF2)	Ser2_Mstr_Write_Data_2
10BC	R/W	General (Serial IF2)	Ser2_Mstr_Write_Data_3
10C0	RO	General (Serial IF2)	Ser2_Mstr_Read_Data_0
10C4	RO	General (Serial IF2)	Ser2_Mstr_Read_Data_1
10C8	RO	General (Serial IF2)	Ser2_Mstr_Read_Data_2
10CC	RO	General (Serial IF2)	Ser2_Mstr_Read_Data_3
10D0	R/W	General (Serial IF2)	Ser2_Mstr_Setup
10D4	R/W	General (Serial IF2)	Ser2_Mstr_Command_Status
10E0	R/W	General (Serial IF2)	Ser3_Control
10E4	R/W	General (Serial IF3)	Ser3_Write_Data
10E8	RO	General (Serial IF3)	Ser3_Read_Data
100	R/W	Host	Device_1_Control
104	R/W	Host	Device_2_Control

Table 13. CS98100 Registers (Continued)

Address	Type	Function	Register Name
108	R/W	Host	Device_3_Control
10C	R/W	Host	Device_4_Control
110	R/W	Host	Write_Data_Port
114	RO	Host	Read_Data_Port
120	R/W	Host	Host_Start_Address
124	R/W	Host	Dram Start Address
128	R/W	Host	Stream_Transfer_Size
12C	R/W	Host	DRAM_Burst_Threshold
134	R/W	General	Ser1_Slave_Address
13C	R/W	Host	Host_Master_Control
200	R/W	Dram controller	DRAM_Controller_Priority0
204	R/W	Dram controller	DRAM_Controller_Priority1
208	R/W	Dram controller	DRAM_Controller_Priority2
20C	R/W	Dram controller	DRAM_Controller_Priority3
210	R/W	Dram controller	DRAM_Controller_Priority4
214	R/W	Dram controller	DRAM_Controller_Setup
218	R/W	Dram controller	DRAM_Command
21C	R/W	Dram controller	DRAM_Controller_Mb_Width
220-224	R/W	Dram controller	DRAM_Controller_Debug
300	WO	DMA	DMA_Enable
304	R/W	DMA	DMA_Control
308	RO	DMA	DMA_Status
30C	R/W	DMA	Xfer_Byte_Cnt
310	R/W	DMA	Dram_Byte_Start_Addr
314	R/W	DMA	Sram_Byte_Start_Addr
318	R/W	DMA	Fifo_Start_Rd_Addr
31C	R/W	DMA	Fifo_Start_Wr_Addr
328	R/W	DMA	Search_Control
32C	RO	DMA	Search_Status
330	R/W	DMA	Fifo_End_Rd_Addr

Table 13. CS98100 Registers (Continued)

Address	Type	Function	Register Name
334	R/W	DMA	Fifo_End_Wr_Addr
338	R/W	DMA	Lines_and_Skip
33C	R/W	DMA	Mask_Pattern_Match
400	R/W	CD/DVD	DVD_Control
404	R/W	CD/DVD	DVD_Fifo_Base_Address
408	R/W	CD/DVD	DVD_Fifo_Size
40C	R/W	CD/DVD	DVD_Sector
410	RO	CD/DVD	DVD_Start_of_Sector
414	RO	CD/DVD	DVD_Current_Dram_Address
418	R/W	CD/DVD	CD_Control
41C	R/W	CD/DVD	CD_Error_Status
438	RO	CD/DVD	DVD_Status
440	R/W	CD/DVD	DCI_Control_Reg
444	RO	CD/DVD	DCI_Status
448	R/W	CD/DVD	DCI_Dram_Rd_Start_Addr
44C	R/W	CD/DVD	DCI_Dram_Wr_Start_Addr
450	R/W	CD/DVD	DCI_Mbytes_Sent
454	R/W	CD/DVD	DCI_Mbytes_Switch
458	RO	CD/DVD	DCI_Diagnostic
45C	R/W	CD/DVD	DCI_Active
500	R/W	DVDS	DVDS_Control
504	R/W	DVDS	DVDS_DataSwap_Mode
508	R/W	DVDS	DVDS_Flow_Control_Ref
510	R/W	DVDS	Track_Buffer_Base
514	R/W	DVDS	Track_Buffer_End
518	RO	DVDS	Track_Buffer_Current_Address
534	RO	DVDS	DVDS_Sector_ID
53C	RO	DVDS	DVDS_Bad_Sector_ID
544	R/W	DVDS	Interrupt_Status
548	R/W	DVDS	Interrupt_Enable

Table 13. CS98100 Registers (Continued)

Address	Type	Function	Register Name
54C	R/W	DVDS	DRAM_Underflow_Status
550	R/W	DVDS	Input_Data_Counter
600	WO	DSP	DSP_Boot_Code_Start_Address
604	WO	DSP	DSP_Run_Enable
6XX	RO	DSP	DSP_Program_CntRun_Status
700	R/W	Sync Control	Audio_Sync_Control
704	R/W	Sync Control	Video_Sync_Control
708	RO	Sync Control	Video_Sync_Status
70C	R/W	Sync Control	Wait_Line
710	R/W	Sync Control	Frame_Period
714	R/W	Sync Control	STC_Interval
718	R/W	Sync Control	System_Time_Clock
71C	R/W	Sync Control	Top_Bits
720	R/W	Sync Control	Video_PTS_FIFO_Start_Address
724	R/W	Sync Control	Video_PTS_FIFO_End_Address
728	R/W	Sync Control	Video_PTS_FIFO_Write_Address
72C	RO	Sync Control	Video_PTS_FIFO_Read_Address
730	R/W	Sync Control	Subpicture_PTS_FIFO_Start_Address
734	R/W	Sync Control	Subpicture_PTS_FIFO_End_Address
738	R/W	Sync Control	Subpicture_PTS_FIFO_Write_Address
73C	RO	Sync Control	Subpicture_PTS_FIFO_Read_Address
740	R/W	Sync Control	Highlight_Start_PTS
744	R/W	Sync Control	Highlight_End_PTS
748	R/W	Sync Control	Button_End_PTS
74C	RW	Sync Control	Highlight_Control_Information_Address
750	R/W	Sync Control	Video_PTS
754	R/W	Sync Control	Audio_PTS
758	RO	Sync Control	Subpicture_PTS
75C	RO	Sync Control	Audio_Time
760	RO	Sync Control	Video_Sync_Debug

Table 13. CS98100 Registers (Continued)

Address	Type	Function	Register Name
764	R/W	Sync Control	SP_DRC_VPTS_Debug
768	R/W	Sync Control	Frame_Count_Interrupt
76C	R/W	Sync Control	Video_DTS
770	RO	Sync Control	Sync_Interrupt_Status
774	R/W	Sync Control	Sync_Interrupt_Control
778	WO	Sync Control	Sync_Interrupt_Set
77C	WO	Sync Control	Sync_Interrupt_Clear
800	R/W	MPEG Vid. Decoder	MPEG_Video_Control
804	R/W	MPEG Vid. Decoder	MPEG_Video_Setup
808	R/W	MPEG Vid. Decoder	MPEG_Video_FIFO_Start_Address
80C	R/W	MPEG Vid. Decoder	MPEG_Video_FIFO_End_Address
810	RO	MPEG Vid. Decoder	MPEG_Video_FIFO_Current_Address
814	RO	MPEG Vid. Decoder	MPEG_Video_Horiz_Pan_Vector
818	WO	MPEG Vid. Decoder	MPEG_Video_FIFO_Add_Bytes
81C	RO	MPEG Vid. Decoder	MPEG_Video_FIFO_Curr_Bytes
820	R/W	MPEG Vid. Decoder	MPEG_Video_FIFO_Interrupt_Bytes
824	RO	MPEG Vid. Decoder	MPEG_Video_FIFO_Total_Bytes
828	RO	MPEG Vid. Decoder	MPEG_Video_Status
82C	R/W	MPEG Vid. Decoder	Macroblock_Width_Height
830	RO	MPEG Vid. Decoder	MPEG_Video_Debug
834	R/W	MPEG Vid. Decoder	MPEG_U_Offset
83C	R/W	MPEG Vid Decoder	MPEG_I_Base_Register
840	R/W	MPEG Vid Decoder	MPEG_P_Base_Register
844	R/W	MPEG Vid Decoder	MPEG_Dest_Control
848	RO	MPEG Vid Decoder	MPEG_Software_Flags
84C	R/W	MPEG Vid Decoder	MPEG_V_Offset
854	R/W	MPEG Vid Decoder	MPEG_AntiTearWindow
858	R/W	MPEG Vid Decoder	MPEG_Error_Pos
A00	R/W	PIP	PIP_Control
A04	R/W	PIP	PIP_VidBrdStartX

Table 13. CS98100 Registers (Continued)

Address	Type	Function	Register Name
A08	R/W	PIP	PIP_VidBrdEndX
A0C	R/W	PIP	PIP_VidBrdStartY
A10	R/W	PIP	PIP_VidBrdEndY
A14	R/W	PIP	PIP_BorderClr
A18	R/W	PIP	PIP_Vscale
A1C	R/W	PIP	PIP_Line_Offnum_Bot
A20	R/W	PIP	PIP_FrBaseY
A24	R/W	PIP	PIP_FrBaseU
A28	R/W	PIP	PIP_FrBaseV
A2C	R/W	PIP	PIP_Line_Width
A30	R/W	PIP	PIP_Line_Offnum_Top
A34	R/W	PIP	PIP_Frame_Size
B00	R/W	Video Processor	Video_Processor_Control
B04	R/W	Video Processor	Video_DRAM_Line_Length
B08	R/W	Video Processor	Display_ActiveX
B0C	R/W	Video Processor	Display_ActiveY
B10	R/W	Video Processor	Blank_Color
B14	R/W	Video Processor	Internal_Hsync_Count
B18	R/W	Video Processor	Internal_Vsync_Count
B1C	R/W	Video Processor	Horizontal_Y_Offset
B20	R/W	Video Processor	Horizontal_UV_Offset
B24	R/W	Video Processor	Vertical_Offset
B28	R/W	Video Processor	Video_Line_Size
B2C	R/W	Video Processor	Frame_Buffer_Base
B30	R/W	Video Processor	Video_Line_Mode_Buffer
B34	R/W	Video Processor	Horizontal_Vertical_Filter
B38	R/W	Video Processor	Source_X_Offset
B3C	R/W	Video Processor	Horizontal_Video_Scaling
B40	R/W	Video Processor	Frame_V_Buffer_Compressed_Offset
B44	WO	Video Processor	Mb_Width

Table 13. CS98100 Registers (Continued)

Address	Type	Function	Register Name
B48	WO	Video Processor	Anti-Flicker
B4C	WO	Video Processor	Anti-Flicker
B50	WO	Video Processor	Anti-Flicker
B54	WO	Video Processor	Anti-Flicker
B58	WO	Video Processor	Anti-Flicker
B5c	WO	Video Processor	Gamma Control
B60	WO	Video Processor	Gamma Control
B64	WO	Video Processor	Gamma Control
B68	WO	Video Processor	Gamma Control
B6C	WO	Video Processor	Gamma Control
B70	WO	Video Processor	Gamma Control
B74	WO	Video Processor	Gamma Control
B78	WO	Video Processor	Gamma Control
B7C	R/W	Video Processor	ENC_Field_at_EAV
C00	R/W	Subpicture	Subpicture_Color0
C04	R/W	Subpicture	Subpicture_Color1
C08	R/W	Subpicture	Subpicture_Color2
C0C	R/W	Subpicture	Subpicture_Color3
C10	R/W	Subpicture	Subpicture_Color4
C14	R/W	Subpicture	Subpicture_Color5
C18	R/W	Subpicture	Subpicture_Color6
C1C	R/W	Subpicture	Subpicture_Color7
C20	R/W	Subpicture	Subpicture_Color8
C24	R/W	Subpicture	Subpicture_Color9
C28	R/W	Subpicture	Subpicture_Color10
C2C	R/W	Subpicture	Subpicture_Color11
C30	R/W	Subpicture	Subpicture_Color12
C34	R/W	Subpicture	Subpicture_Color13
C38	R/W	Subpicture	Subpicture_Color14
C3C	R/W	Subpicture	Subpicture_Color15

Table 13. CS98100 Registers (Continued)

Address	Type	Function	Register Name
C40	R/W	Subpicture	Subpicture_DCI_Address
C44	R/W	Subpicture	Subpicture_HLI_Address
C50	R/W	Subpicture	Subpicture_Control
C54	R/W	Subpicture	Subpicture_Display_Offset
C58	R/W	Subpicture	Subpicture_Display_Scale
D00	RO	On Screen Display	OSD_Status
D04	R/W	On Screen Display	OSD_Control
D08	R/W	On Screen Display	OSD_Color_Number
D0C	R/W	On Screen Display	OSD_Color_Data
D10	R/W	On Screen Display	OSD_Region1_Control
D14	R/W	On Screen Display	OSD_Region1_Hlimits
D18	R/W	On Screen Display	OSD_Region1_Vlimits
D1C	R/W	On Screen Display	OSD_Region1_DramBase
D20	R/W	On Screen Display	OSD_Region2_Control
D24	R/W	On Screen Display	OSD_Region2_Hlimits
D28	R/W	On Screen Display	OSD_Region2_Vlimits
D2C	R/W	On Screen Display	OSD_Region2_DramBase
D30	R/W	On Screen Display	OSD_Region3_Control
D34	R/W	On Screen Display	OSD_Region3_Hlimits
D38	R/W	On Screen Display	OSD_Region3_Vlimits
D3C	R/W	On Screen Display	OSD_Region3_DramBase
D40	R/W	On Screen Display	OSD_Blend
D44	R/W	On Screen Display	OSD_Debug1
D48	R/W	On Screen Display	OSD_Debug2
E00	R/W	PCM	PCM_Run_Clear
E04	R/W	PCM	PCM_Output_Control
E08	R/W	PCM	PCM_Out_FIFO_Start_Address
E0C	R/W	PCM	PCM_Out_FIFO_End_Address
E10	R/W	PCM	PCM_Out_FIFO_Interrupt_Address
E14	RO	PCM	PCM_Out_FIFO_Current_Address

Table 13. CS98100 Registers (Continued)

Address	Type	Function	Register Name
E18	R/W	PCM	IEC958_Channel_Status
E20	R/W	PCM	PCM_Input_Control
E24	R/W	PCM	PCM_In_FIFO_Start_Address
E28	R/W	PCM	PCM_In_FIFO_End_Address
E2C	R/W	PCM	PCM_In_FIFO_Interrupt_Address
E30	R/W	PCM	PCM_Out_FIFO_Interrupt_Address2
E34	R/W	PCM	PCM_Out_FIFO_Interrupt_Address3
E38	RO	PCM	PCM_In_FIFO_Current_Address
E3C	R/W	PCM	IEC958_Output_Control
E40	R/W	PCM	IEC958_Output_FIFO_Start_Address
E44	R/W	PCM	IEC958_Output_FIFO_End_Address
E48	RO	PCM	IEC958_Output_FIFO_Current_Address
E4C	R/W	PCM	IEC958_Output_FIFO_Interrupt_Address
E50	R/W	PCM	IEC958_Output_FIFO_Add_Blocks
E58	R/W	PCM	Reserved
E5C	R/W	PCM	Reserved
E60	R/W	PCM	User_Data_Start_Frame
E64	R/W	PCM	User_Data_DRAM_Address
E68	R/W	PCM	User_Data_Interrupt_Frame
E6C	RO	PCM	User_Data_Current_Address
F00	R/W	Video Encoder	VidEnc_PowerDown
F04	RO	Video Encoder	VidEnc_Status
F40	R/W	Video Encoder	Video_Mode
F44	R/W	Video Encoder	Video_Sync
F48	R/W	Video Encoder	Video_Setup
F4C	R/W	Video Encoder	Contrast
F50	R/W	Video Encoder	Brigthness
F54	R/W	Video Encoder	Chroma_Saturation
F58	R/W	Video Encoder	Tint
F5C	R/W	Video Encoder	VideoDAC_Select

Table 13. CS98100 Registers (Continued)

Address	Type	Function	Register Name
F60	R/W	Video Encoder	Test
F64	R/W	Video Encoder	Test
F68	R/W	Video Encoder	Test
F6C	R/W	Video Encoder	Burst_Gain
F70	R/W	Video Encoder	Component_Mode
F74	R/W	Video Encoder	Sync_Attenuation
F78	R/W	Video Encoder	Sync_Offset
F7C	R/W	Video Encoder	Test
F80	R/W	Video Encoder	Closed_Caption_Control
F84	R/W	Video Encoder	Closed_Caption_Data0
F88	R/W	Video Encoder	Closed_Caption_Data1
F8C	R/W	Video Encoder	Closed_Caption_Data2
F90	R/W	Video Encoder	Closed_Caption_Data3
F94	R/W	Video Encoder	WideScreen_Data0
F98	R/W	Video Encoder	WideScreen_Data1
F9C	R/W	Video Encoder	WideScreen_Data2
FA0-FFC	R/W	Video Encoder	Reserved
2xxx	R/W	RISC	RISC Processor Registers

Table 13. CS98100 Registers (Continued)

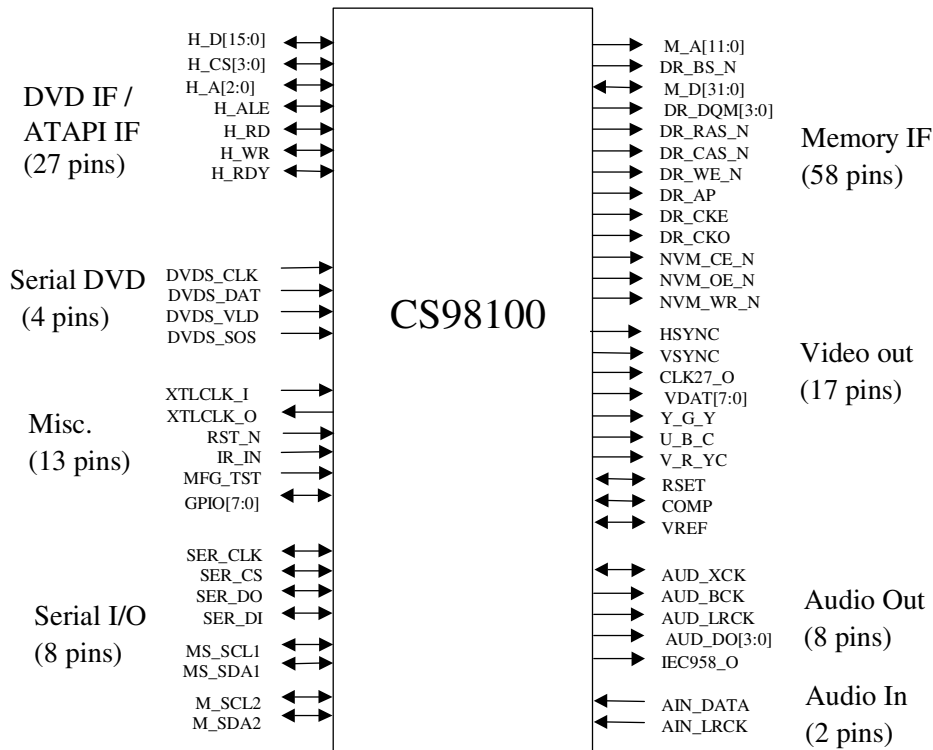
5. PIN DESCRIPTIONS

Figure 14. CS98100 Pin Layout

Table 14 lists the conventions used to identify the pin type and direction.

Symbol	Description
I	Input
S	Schmitt trigger on input
D	pull down resistor
U	pull up resistor
O	Output
O4	Output – 4mA drive
O8	Output – 8mA drive
B	Bi-direction
B4	Bi-direction – 4mA drive
B8	Bi-direction – 8mA drive
Pwr	+2.5V or +3.3V power supply voltage
Gnd	Power supply ground
Name N	Low active
Name L	Low active

Table 14. Pin Type and Direction Legend

6. PIN ASSIGNMENTS

Table 15 lists the pin number, pin name and pin type for the 208-pin CS98100 package. For signal pins, the pin direction after reset is shown. The pri-

mary function and pin direction is shown for all signal pins. For some signal pins, a second or third function and direction are also shown.

Pin	Name	Type	Reset	Function #1	Dir	Function #2	Dir	Function #3	Dir	Note
1	PLL_1V8	Pwr		PLL Power						
2	M_A11	O8	O	DR_Addr[11]	O	NVM_Addr[11]	O			
3	M_A10	O8	O	DR_Addr[10]	O	NVM_Addr[10]	O			
4	M_A9	O8	O	DR_Addr[9]	O	NVM_Addr[9]	O			
5	M_D8	B8U	I	DR_Data[8]	B	NVM_Data[8]	B			
6	M_D7	B8U	I	DR_Data[7]	B	NVM_Data[7]	B			
7	M_D6	B8U	I	DR_Data[6]	B	NVM_Data[6]	B			
8	IO_GND	Gnd		I/O Ground						
9	M_D5	B8U	I	DR_Data[5]	B	NVM_Data[5]	B			
10	IO_3V3	Pwr		I/O Power						
11	M_D4	B8U	I	DR_Data[4]	B	NVM_Data[4]	B			
12	M_D3	B8U	I	DR_Data[3]	B	NVM_Data[3]	B			
13	M_D2	B8U	I	DR_Data[2]	B	NVM_Data[2]	B			
14	M_D1	B8U	I	DR_Data[1]	B	NVM_Data[1]	B			
15	DIG_1V8	Pwr		Core Power						
16	M_D0	B8U	I	DR_Data[0]	B	NVM_Data[0]	B			
17	DR_CKE	B8	O	DR_CKE	O					
18	DIG_GND	Gnd		Core Ground						
19	IO_GND	Gnd		I/O Ground						
20	DR_CKO	O8	O	DR_CKO	O					
21	IO_3V3	Pwr		I/O Power						
22	GPIO1	B4U	I	GPIO[1]	B					1
23	GPIO2	B4U	I	GPIO[2]	B					1
24	GPIO3	B4U	I	GPIO[3]	B					1

Table 15. Pin Assignments

Pin	Name	Type	Reset	Function #1	Dir	Function #2	Dir	Function #3	Dir	Note
25	GPIO4	B4U	I	GPIO[4]	B					1
26	GPIO5	B4U	I	GPIO[5]	B					1
27	Not used									2
28	Not used									2
29	Not used									2
30	Not used									2
31	Not used									2
32	Not used									2
33	Not used									2
34	Not used									2
35	M_BS_N	O8	O	DR_BS_N	O					
36	DIG_1V8	Pwr		Core Power						
37	DR_AP	O8	O	DR_AP	O					
38	DIG_GND	Gnd		Core Ground						
39	IO_GND	Gnd		I/O Ground						
40	DR_RAS_N	O8	O	DR_RAS_N	O					
41	IO_3V3	Pwr		I/O Power						
42	DR_CAS_N	O8	O	DR_CAS_N	O					
43	M_D31	B8U	I	DR_Data[31]	B					3
44	M_D30	B8U	I	DR_Data[30]	B					3
45	M_D29	B8U	I	DR_Data[29]	B					3
46	M_D28	B8U	I	DR_Data[28]	B					3
47	M_D27	B8U	I	DR_Data[27]	B	NVM_Addr[23]	O			3
48	IO_GND	Gnd		I/O Ground						
49	M_D26	B8U	I	DR_Data[26]	B	NVM_Addr[22]	O			3
50	IO_3V3	Pwr		I/O Power						
51	M_D25	B8U	I	DR_Data[25]	B	NVM_Addr[21]	O			3

Table 15. Pin Assignments (Continued)

Pin	Name	Type	Reset	Function #1	Dir	Function #2	Dir	Function #3	Dir	Note
52	M_D24	B8U	I	DR_Data[24]	B	NVM_Addr[20]	O			3
53	M_D23	B8U	I	DR_Data[23]	B	NVM_Addr[19]	O			3
54	M_D22	B8U	I	DR_Data[22]	B	NVM_Addr[18]	O			3
55	M_D21	B8U	I	DR_Data[21]	B	NVM_Addr[17]	O			3
56	GPIO6	B4U	I	GPIO[6]	B					1
57	GPIO7	B4U	I	GPIO[7]	B					1
58	IO_GND	Gnd		I/O Ground						
59	NVM_CE_N	O4	O	NVM_CE_N	O					
60	NVM_OE_N	O4	O	NVM_OE_N	O					
61	NVM_WE_N	O4	O	NVM_WE_N	O					
62	IO_3V3	Pwr		I/O Power						
63	M_D20	B8U	I	DR_Data[20]	B	NVM_Addr[16]	O			3
64	M_D19	B8U	I	DR_Data[19]	B	NVM_Addr[15]	O			3
65	M_D18	B8U	I	DR_Data[18]	B	NVM_Addr[14]	O			3
66	H_A2	B4	I	Hst_Addr[2]	O	GPIO_D[25]	B			
67	H_A1	B4	I	Hst_Addr[1]	O	GPIO_D[24]	B			
68	H_A0	B4	I	Hst_Addr[0]	O	GPIO_D[23]	B			
69	H_ALE	B4U	I	Hst_ALE	O	GPIO_D[26]	B			
70	M_D17	B8U	I	DR_Data[17]	B	NVM_Addr[13]	O			3
71	IO_GND	Gnd		I/O Ground						
72	M_D16	B8U	I	DR_Data[16]	B	NVM_Addr[12]	O			3
73	M_D15	B8U	I	DR_Data[15]	B	NVM_Data[15]	B			
74	M_D14	B8U	I	DR_Data[14]	B	NVM_Data[14]	B			
75	IO_3V3	Pwr		I/O Power						
76	M_D13	B8U	I	DR_Data[13]	B	NVM_Data[13]	B			
77	M_D12	B8U	I	DR_Data[12]	B	NVM_Data[12]	B			
78	M_D11	B8U	I	DR_Data[11]	B	NVM_Data[11]	B			

Table 15. Pin Assignments (Continued)

Pin	Name	Type	Reset	Function #1	Dir	Function #2	Dir	Function #3	Dir	Note
79	DIG_1V8	Pwr		Core Power						
80	M_D10	B8U	I	DR_Data[10]	B	NVM_Data[10]	B			
81	DIG_GND	Gnd		Core Ground						
82	IO_GND	Gnd		I/O Ground						
83	M_D9	B8U	I	DR_Data[9]	B	NVM_Data[9]	B			
84	M_A8	O8	O	DR_Addr[8]	O	NVM_Addr[8]	O			
85	M_A7	O8	O	DR_Addr[7]	O	NVM_Addr[7]	O			
86	IO_3V3	Pwr		I/O Power						
87	H_D3	B4	I	Hst_Data[3]	B	GPIO_D[3]	B	DVD_Data[3]	I	
88	H_D2	B4	I	Hst_Data[2]	B	GPIO_D[2]	B	DVD_Data[2]	I	
89	H_D1	B4	I	Hst_Data[1]	B	GPIO_D[1]	B	DVD_Data[1]	I	
90	H_D0	B4	I	Hst_Data[0]	B	GPIO_D[0]	B	DVD_Data[0]	I	
91	H_CS3	B4	I	Hst_CS[3]	O	GPIO_D[21]	B			
92	H_CS2	B4	I	Hst_CS[2]	O	GPIO_D[20]	B			
93	H_CS1	B4	I	Hst_CS[1]	O	GPIO_D[19]	B	DVD_Error	I	
94	H_CS0	B4	I	Hst_CS[0]	O	GPIO_D[18]	B	DVD_SOS	I	
95	IO_GND	Gnd		I/O Ground						
96	M_A6	O8	O	DR_Addr[6]	O	NVM_Addr[6]	O			
97	M_A5	O8	O	DR_Addr[5]	O	NVM_Addr[5]	O			
98	M_A4	O8	O	DR_Addr[4]	O	NVM_Addr[4]	O			
99	IO_3V3	Pwr		I/O Power						
100	M_A3	O8	O	DR_Addr[3]	O	NVM_Addr[3]	O			
101	M_A2	O8	O	DR_Addr[2]	O	NVM_Addr[2]	O			
102	M_A1	O8	O	DR_Addr[1]	O	NVM_Addr[1]	O			
103	M_A0	O8	O	DR_Addr[0]	O	NVM_Addr[0]	O			
104	IO_GND	Gnd		I/O Ground						
105	VDA0	B4	O	Vid_Data[0]	O	GPIO_2[0]	B			

Table 15. Pin Assignments (Continued)

Pin	Name	Type	Reset	Function #1	Dir	Function #2	Dir	Function #3	Dir	Note
106	VDAT1	B4	O	Vid_Data[1]	O	GPIO_2[1]	B			
107	VDAT2	B4	O	Vid_Data[2]	O	GPIO_2[2]	B			
108	VDAT3	B4	O	Vid_Data[3]	O	GPIO_2[3]	B			
109	VDAT4	B4	O	Vid_Data[4]	O	GPIO_2[4]	B			
110	VDAT5	B4	O	Vid_Data[5]	O	GPIO_2[5]	B			
111	VDAT6	B4	O	Vid_Data[6]	O	GPIO_2[6]	B			
112	VDAT7	B4	O	Vid_Data[7]	O	GPIO_2[7]	B			
113	HSYNC	O8	O	Vid_Hsync	O					
114	VSYNC	O8	O	Vid_Vsync	O					
115	SER_RDY	B4U	I	SER_CS	B	GPIO_2[8]	B			
116	IO_3V3	Pwr		I/O Power						
117	SER_DO	B4U	I	SER_Dout	B	GPIO_2[9]	B			
118	SER_DI	B4U	I	SER_Din	B	GPIO_2[10]	B			
119	SER_CLK	B4U	I	SER_Clock	B	GPIO_2[11]	B			
120	AUD_XCK	B4U	I	AUD_XCK	B					
121	AUD_BCK	B4U	O	AUD_BCK	O	GPIO_2[12]				
122	AUD_LRCK	O4	O	AUD_LRCK	O					
123	H_WR	B4	I	Hst_Write	O	GPIO_D[17]	B	DVD_ENA	I	
124	H_RD	B4	I	Hst_Read	O	GPIO_D[16]	B	DVD_RDY	O	
125	MFG_TEST	I	I	(Tie to ground)	I					
126	IO_GND	Gnd		I/O Ground						
127	DIG_GND	Gnd		Core Ground						
128	AUD_DO0	B4	O	AUD_Dout[0]	O					
129	DIG_1V8	Pwr		Core Power						
130	AUD_DO1	B4U	O	AUD_Dout[1]	O	GPIO_2[13]	B			
131	AUD_DO2	B4U	O	AUD_Dout[2]	O	GPIO_2[14]	B			
132	AUD_DO3	B4U	O	AUD_Dout[3]	O	GPIO_2[15]	B			

Table 15. Pin Assignments (Continued)

Pin	Name	Type	Reset	Function #1	Dir	Function #2	Dir	Function #3	Dir	Note
133	Not used									2
134	AIN_DATA	B4U	I	AIN_DATA	I	GPIO_2[16]	B		I	
135	Not used									2
136	AIN_LRCK	B4U	I	AIN_LRCK	I	GPIO_2[17]	B			
137	IEC958_O	O4	O	AUD_IEC958	O					
138	GPIO0	B4U	I	GPIO[0]	B					1
139	MS_SCL1	B4SU	I	M_SCL2	B	GPIO_2[18]	B			
140	MS_SDA1	B4SU	I	M_SDA2	B	GPIO_2[19]	B			
141	IO_3V3	Pwr		I/O Power						
142	M_SCL2	B4SU	I	M_CLK2	B	GPIO_2[20]	B			
143	M_SDA2	B4SU	I	M_DAT2	B	GPIO_2[21]	B			
144	DVDS_CLK	IU	I	DVDS_CLK	I					
145	DVDS_DAT	B4U	I	DVDS_DAT	I	GPIO_2[23]	B			
146	DVDS_VLD	B4U	I	DVDS_VLD	B	GPIO_2[25]	B			
147	DVDS_SOS	B4U	I	DVDS_SOS	B	GPIO_2[24]	B			
148	CLK27_O	B4U	O	Vid_Clock	O	GPIO_2[22]	B			
149	Not used									2
150	Not used									2
151	Not used									2
152	IR_IN	IS	I	Infrared	I					
153	IO_GND	Gnd		I/O Ground						
154	RST_N	IS	I	Reset_L	I					
155	Not used									2
156	PLL_1V8	Pwr		PLL Power						
157	PLL_GND	Gnd		PLL Ground						
158	H_RDY	B4S	I	Hst_Ready	O	GPIO_D[22]	B	DVD_STB	I	
159	DIG_GND	Gnd		Core Ground						

Table 15. Pin Assignments (Continued)

Pin	Name	Type	Reset	Function #1	Dir	Function #2	Dir	Function #3	Dir	Note
160	H_D15	B4	I	Hst_Data[15]	B	GPIO_D[15]	B	CD_DATA	I	
161	DIG_1V8	Pwr		Core Power						
162	H_D14	B4	I	Hst_Data[14]	B	GPIO_D[14]	B	CD_LRCK	I	
163	H_D13	B4S	I	Hst_Data[13]	B	GPIO_D[13]	B	CD_BCLK	I	
164	H_D12	B4	I	Hst_Data[12]	B	GPIO_D[12]	B	CD_C2P0	I	
165	H_D11	B4	I	Hst_Data[11]	B	GPIO_D[11]	B	DVDL_DI	I	
166	H_D10	B4	I	Hst_Data[10]	B	GPIO_D[10]	B	DVDL_DO	O	
167	H_D9	B4	I	Hst_Data[9]	B	GPIO_D[9]	B	DVDL_RDY	I	
168	H_D8	B4	I	Hst_Data[8]	B	GPIO_D[8]	B	DVDL_CK	O	
169	IO_3V3	Pwr		I/O Power						
170	H_D7	B4	I	Hst_Data[7]	B	GPIO_D[8]	B	DVD_Data[7]	I	
171	H_D6	B4	I	Hst_Data[6]	B	GPIO_D[8]	B	DVD_Data[6]	I	
172	H_D5	B4	I	Hst_Data[5]	B	GPIO_D[8]	B	DVD_Data[5]	I	
173	H_D4	B4	I	Hst_Data[4]	B	GPIO_D[8]	B	DVD_Data[4]	I	
174	Not used									2
175	Not used									2
176	Not used									2
177	Not used									2
178	DAC_GND	Gnd		Analog Ground						
179	DAC_1V8	Pwr		Digital Power						
180	DAC_DGND	Gnd		Digital Ground						
181	U_B_C	Analog		Video Out	O					
182	DAC_3V3	Pwr		Analog Power						
183	DAC_GND	Gnd		Analog Ground						
184	Y_G_Y	Analog		Video Out	O					
185	DAC_3V3	Pwr		Analog Power						
186	DAC_GND	Gnd		Analog Ground						

Table 15. Pin Assignments (Continued)

Pin	Name	Type	Reset	Function #1	Dir	Function #2	Dir	Function #3	Dir	Note
187	V_R_YC	Analog		Video	O					
188	DAC_3V3	Pwr		Analog Power						
189	DAC_GND	Gnd		Analog Ground						
190	COMP	Analog		Compensation	O					
191	RSET	Analog		Current Set	B					
192	VREF	Analog		Voltage Ref	B					
193	DAC_3V3	Pwr		Analog Power						
194	DAC_GND	Gnd		Analog Ground						
195	DAC_GND	Gnd		Analog Ground						
196	DAC_3V3	Pwr		Analog Power						
197	DAC_3V3	Pwr.		Analog Power						
198	IO_GND	Gnd		I/O Ground						
199	DR_WE_N	O8	O	DR_WE_N	O					
200	DR_DQM0	O8	O	DR_DQM[0]	O					
201	DR_DQM1	O8	O	DR_DQM[1]	O					
202	DR_DQM2	O8	O	DR_DQM[2]	O					
203	DR_DQM3	O8	O	DR_DQM[3]	O					
204	IO_3V3	Pwr		I/O Power						
205	XTLCLK_I	I	I	27 MHz Osc.	I					
206	XTLCLK_O	O	O	27 MHz Osc.	O					
207	IO_GND	Gnd		I/O Ground						
208	PLL_GND	Gnd		PLL Ground						

Table 15. Pin Assignments (Continued)

Note 1: Pin may be used for micro-less DVD loader interface

Note 2: Pin should be left unconnected

Note 3 M_D[31:16] are driving when CS98100 is reading ROM/NVRAM on M_D[15:0], which occurs immediately after reset.

6.1 Miscellaneous Pins

These pins are used for used for basic functions, such as clocking, reset, and infrared receiver interface.

Pin	Signal Name	Type	Description
152	IR_IN	I	De-modulated infrared Input, from IR receiver.
205	XTLCLK_I	I	27 MHz crystal input, or 27 MHz oscillator input
206	XTLCLK_O	O	27 MHz crystal output
154	RST_N	I	Reset Input, active low.
125	MFG_TEST	I	Manufacturing test pin, should always connect to ground.

Table 16. Miscellaneous Interface Pins

6.2 Serial Interface

There are two 2-wire serial controllers, which support industry standard protocols. One controller is a combination master/slave, and is typically used for debug (slave), or to control a small non-volatile memory (master). The slave chip select address is programmable and defaults to a 7-bit value of 0x1A. The second 2-wire controller is a dedicated master and can be used for controlling certain DVD

devices. A third serial controller in the device supports industry standard 3-wire and 4-wire protocols. In master mode, this interface can control a front panel or a small non-volatile memory. In slave mode, it can operate under control of an external processor, for example, in a combination unit.

Pin	Signal Name	Type	Description
139	MS_SCL1	B	Clock for 2-wire serial port #1 (master/slave port)
140	MS_SDA1	B	Data for 2-wire serial port #1 (master/slave port)
142	M_SCL2	B	Clock for 2-wire serial port #2 (master)
143	M_SDA2	B	Data for 2-wire serial port #2 (master)
119	SER_CLK	B	Clock for 4-wire serial port (output for master mode, input for slave mode)
117	SER_DO	B	Output data for 4-wire serial port – may function as bi-directional data in 3-wire mode.
118	SER_DI	B	Input data for 4-wire serial port
115	SER_CS	B	Chip select for 4-wire serial port (output for master mode, input for slave mode). Can also be used as bi-directional ready line.

Table 17. Serial Interface Pin Assignments

6.3 SDRAM Interface

These pins are used to interface the CS98100 with external SDRAM of various sizes. Typical configurations are two 1 Mbyte x16-bit, or one 2 Mbyte x32-bit. Table 18 gives instructions on how to interface any particular configuration of SDRAM.

Pin	Signal Name	Type	Description
43, 44, 45, 46, 47, 49, 51, 52, 53, 54, 55, 63, 64, 65, 70, 72, 73, 74, 76, 77, 78, 80, 83, 5, 6, 7, 9, 11, 12, 13, 14, 16	M_D[31:0]	B	Memory Data Bus. CS98100 can use all 32 bits or can use only M_D[15:0], in which case M_D[31:16] can be left unconnected.note: 32 bits wide is recommended
2, 3, 4, 84, 85, 96, 97, 98, 100,101,102, 103	M_A[11.0]	O	Memory Address Bus. Connect in order starting with M_A[0] to all RAM address pins not already connected to DR_BS_N or DR_AP.
20	DR_CKO	O	Memory Clock
17	DR_CKE	O	Memory Clock Enable
35	DR_BS_N	O	Bank Selection. Always connect to RAM BS or BS0 pin.
37	DR_AP	O	Memory Auto Pre-charge. Always connect to RAM AP pin.
40	DR_RAS_N	O	Memory Row Address Strobe
42	DR_CAS_N	O	Memory Column Address Strobe
199	DR_WE_N	O	Memory Write Enable
203,202,201,200	DR_DQM[3..0]	O	IO Mask of Data Bus DR_DQM[3] -> DR_Data[31:24]

Table 18. SDRAM Interface Pin Assignments

6.4 ROM/NVRAM Interface

This interface connects to the non-volatile memory that contains the firmware. The memory could be ROM, NVRAM (FLASH), EEPROM, or any combination of these. This interface can also connect to SRAM that can emulate a ROM on a development system. The bus width is 8 or 16 bits. Most of these

pins are shared with the DRAM interface, which operates simultaneously with the ROM/NVRAM interface.

Pin	Signal Name	Type	Description
73, 74, 76, 77, 78, 80, 83, 5, 6, 7, 9, 11, 12, 13, 14, 16	M_D[15:0]	B	NVM_Data[15:0], Memory Data Bus (shared with bits [15:0] of DRAM data bus). Use M_D[7:0] for 8-bit interface.
28	M_A[11:0]	O	NVM_Addr[11:0], Memory Address Bus[11:0] (shared with DRAM address bus)
47, 49, 51, 52, 53, 54, 55, 63, 64, 65, 70, 72	M_D[27:16]	O	NVM_Addr[23:12], Memory Address Bus[23:12] (shared with bits [27:16] of DRAM data bus)
59	NVM_CE_N	O	ROM/NVRAM Chip Enable.
60	NVM_OE_N	O	ROM/NVRAM Output Enable.
43	M_D[31]	O	Copy of ROM/NVRAM Output Enable.
61	NVM_WE_N	O	NVRAM Write Enable.

Table 19. ROM/NVRAM Interface Pin Assignments

6.5 Digital Video Output Interface

This interface can be used to drive CCIR-601/CCIR-656 digital data to an external video encoder (such as an CS4955), for example if a fourth DAC is required. The CS98100 is sync master of

this interface. For progressive mode, the data pins output on both edges of the clock.

Optionally, this interface can be used only to generate separate or combined horizontal/ vertical sync, for example to drive syncs to a VGA monitor.

Pin	Signal Name	Type	Description
113	HSYNC	O	Horizontal Sync output
114	VSYNC	O	Vertical or combined vertical/horizontal Sync output
148	CLK27_O	O	27 MHz Clock Output.
112, 111, 110, 109, 108, 107, 106, 105	VDAT[7:0]	O	Video Data Output[7:0] in YCrCb format.

Table 20. Video Output Interface Pin Assignments

6.6 Audio Output/Input Interface

This is the audio PCM interface that connects to an audio CODEC. The sample rate and the size of the samples are programmable for both input and output direction.

Pin	Signal Name	Type	Description
120	AUD_XCK	B	Audio 256x/384x Clock input or output to Serial DAC. When output, it's generated from CS98100 internal PLL.
121	AUD_BCK	O	Audio Bit Clock output to serial DAC. Polarity is programmable.
122	AUD_LRCK	O	Audio Out Left/Right Clock to serial DAC.
128	AUD_DO0	O	Audio Serial PCM Data Out[0] (Front)
130	AUD_DO1	O	Audio Serial PCM Data Out[1] (Surround)
131	AUD_DO2	O	Audio Serial PCM Data Out[2] (Center + LFE)
132	AUD_DO3	O	Audio Serial PCM Data Out[3] (2-channel downmix)
137	IEC958_O	O	IEC-958 Output
134	AIN_DATA	I	This input can come from from an external comparator.
136	AIN_LRCK	I	Left/Right Clock. Input from external audio ADC. The CS98100 can be programmed to use the Audio Output function's internally generated LR clock, in which case this pin is not required.

Table 21. Audio Output Interface Pin Assignments

6.7 Host Master/ATAPI Interface

This 16-bit parallel host interface allows the CS98100 to be a host master, controlling other devices that would be used on the same system. The interface supports a programmable protocols and speeds, including multiplexed and non-multiplexed addressing. Slaves with different protocols can be connected at the same time, controlled by different

chip selects. For example, two chip selects can be used to control an ATAPI DVD device, while the other two chip selects can control another ATAPI or non-ATAPI slave device.

Pin	Signal Name	Type	Description
91, 92, 93, 94	H_CS[3:0]	O	Host Chip Select[3:0]. The host master can be programmed to use a different protocol for each of the 4 chip selects
69	H_ALE	O	Host address latch enable. Used for modes which multiplex upper address information onto the data lines
124	H_RD	O	Host Read Request.
123	H_WR	O	Host Write Request.
158	H_RDY	I	Host Ready. Connect to pull-up or pull-down if host is not used.
66, 67, 68	H_A[2:0]	O	Host Address[2:0].
160, 162, 163, 164, 165, 166, 167, 168, 170, 171, 172, 173, 87, 88, 89, 90	H_D[15:0]	B	Host Data Bus[15:0]. These pins can also output Host Address during the address phase for multiplexed address/data mode. Tie together to pull-up or pull-down if host is not used.

Table 22. Host Master Interface Pin Assignments

6.8 DVD I/O Channel Interface

This interface connects to standard DVD loaders, and consists of three parts: Control, DVD Data and CD Data. This interface shares CS98100 pins with the Host Master/ATAPI interface. The pin defini-

tion is set via register programming, and the two modes are mutually exclusive.

Pin	Signal Name	Type	Description
94	DVD_SOS	I	DVD data start sector signal from loader
93	DVD_Error	I	DVD data error signal from loader
124	H_RD	O	DVD_RDY, DVD data ready signal to loader
123	H_WR	I	DVD_ENA, DVD data enable signal from loader
158	H_RDY	I	DVD_STB, DVD data clock from loader
170, 171, 172, 173, 87, 88, 89, 90	H_D[7:0]	I	DVD_Data[7:0], DVD data port parallel data input from loader
164	CD_C2P0	I	CD error signal from loader
163	CD_BCLK	I	CD clock from loader
162	CD_LRCK	I	CD left/right clock from loader
160	CD_DATA	I	CD serial data from loader
168	DVDL_CK	O	Control port clock to loader
167	DVDL_RDY	I	Control port ready signal from loader
166	DVDL_DO	O	Control port serial command to loader
165	DVDL_DI	I	Control port serial status from loader

Table 23. DVD I/O Channel Interface Pin Assignments

6.9 DVD Serial Data Interface

This interface connects to the data port of low cost DVD loaders using a 4-wire serial interface. In this case, control for the loader will typically be done using the 2-wire serial interface master. The ATA-PI/IO channel pins are then free to be used for a

second DVD loader, a general purpose ATAPI, or as GPIOs.

Pin	Signal Name	Type	Description
144	DVDS_CLK	I	DVD clock input – rising edge is the active edge
145	DVDS_DAT	I	DVD serial data input (data can be input MSB or LSB first)
146	DVDS_VLD	I	DVD valid – a bit of data is clocked in when this pin is high
147	DVDS_SOS	I	DVD start of sector input – active high

Table 24. DVD Serial Data Interface Pin Assignments

6.10 Video Encoder Interface

The video encoder interface has three DAC outputs, and operates in one of three modes: component YUV, component RGB, and S-Video plus composite. The component modes may operate ei-

ther normal interlaced resolution, or progressive (high resolution).

Pin	Signal Name	Type	Description
181	U_B_C	O	Analog video output – U(YUV), B(RGB), C(Y/C/YC)
184	Y_G_Y	O	Analog video output – Y(YUV), G(RGB), Y(Y/C/YC)
187	V_R_YC	O	Analog video output – V(YUV), R(RGB), YC(Y/C/YC)
190	COMP	O	Compensation pin, should be connect through 0.1 μ F capacitor to analog 3.3V supply
191	RSET	B	Current adjust pin, connect through 174 Ω ,1% resistor to analog ground
192	VREF	B	Voltage reference pin, connect through 0.1 μ F capacitor to analog ground

Table 25. Video Encoder Interface Pin Assignments

6.11 General Purpose Input/Output (GPIO)

The CS98100 provides a number of GPIO pins, each with individual output three-state controls. There are eight dedicated GPIO pins, which can also be used to generate internal interrupts based on edge or level events on the pins. Two groups of ad-

ditional pins may also be re-defined as GPIOs if not required for other functions. Each of these additional pins has its own control register bit to select either GPIO or normal function for the pin.

Pin	Signal Name	Type	Description
57, 56, 26, 25, 24, 23, 22, 138	GPIO[7:0]	B	8 General purpose I/O on dedicated pins
146, 147, 145, 148, 143, 142, 140, 139, 136, 134, 132, 131, 130, 121, 119, 118, 117, 115, 112, 111, 110, 109, 108, 107, 106, 105	GPIO_2[2 5:24] GPIO_2[2 3:20] GPIO_2[1 9:16] GPIO_2[1 5:12] GPIO_2[1 1:8] GPIO_2[7: 4] GPIO_2[3: 0]	B	28 General purpose I/Os, redefined from following pins: DVDS_VLD, DVDS_SOS, DVDS_DAT, CLK27_O, SDA2, SCL2, SDA1, SCL1, AIN_LRCK, AIN_DATA, AUD_DO_3, AUD_DO_2, AUD_DO_1, AUD_BCK, SER_CLK, SER_DI, SER_DO, SER_RDY, VDAT_7, VDAT_6, VDAT_5, VDAT_4, VDAT_3, VDAT_2, VDAT_1, VDAT_0
69, 66, 67, 68, 158, 91, 92, 93, 94, 123, 124, 160, 162, 163, 164, 165, 166, 167, 168, 170, 171, 172, 173, 87, 88, 89, 90	GPIO_D[2 6:24] GPIO_D[2 3:20] GPIO_D[1 9:16] GPIO_D[1 5:12] GPIO_D[1 1:8] GPIO_D[7: 4] GPIO_D[3: 0]	B	27 General purpose I/Os, redefined from following pins: H_ALE, H_A_2, H_A_1, H_A_0, H_RDY, H_CS_3, H_CS_2, H_CS_1, H_CS_0, H_WR, H_RD, H_D_15, H_D_14, H_D_13, H_D_12, H_D_11, H_D_10, H_D_9, H_D_8, H_D_7, H_D_6, H_D_5, H_D_4, H_D_3, H_D_2, H_D_1, H_D_0

Table 26. General Purpose I/O Interface Pin Assignments

6.12 Power and Ground

The CS98100 requires five different types of power supplies for the Plus, internal logic, IO pins, video DAC-digital and video DAC analog. The PLLs, internal logic and video DAC digital use 1.8 V supply voltage. The IO pins and video DAC analog use 3.3 V supply voltage. It is recommended to use good

layout techniques to provide isolation between the supply types on the board. Contact Cirrus Logic applications engineering for layout guidelines.

Pin	Signal Name	Type	Description
1, 156	PLL_1V8		1.8V for internal PLLs
157, 208	PLL_GND		Ground for internal PLLs
15, 36, 79, 129, 161	DIG_1V8		1.8V for internal core logic
18, 38, 81, 127, 159	DIG_GND		Ground for internal core logic
10, 21, 41, 50, 62, 75, 86, 99, 116, 141, 169, 204	IO_3V3		3.3V for Digital I/Os
8, 19, 39, 48, 58, 71, 82, 95, 104, 126, 153, 198, 207	IO_GND		Ground for Digital I/Os
179	DAC_1V8		Digital 1.8V for video DAC
180	DAC_DGND		Digital ground for video DAC
182, 185, 188, 193, 196, 197	DAC_3V3		Analog 3.3V for video DAC
178, 183, 186, 189, 194, 195	DAC_GND		Analog ground for video DAC

Table 27. Power and Ground

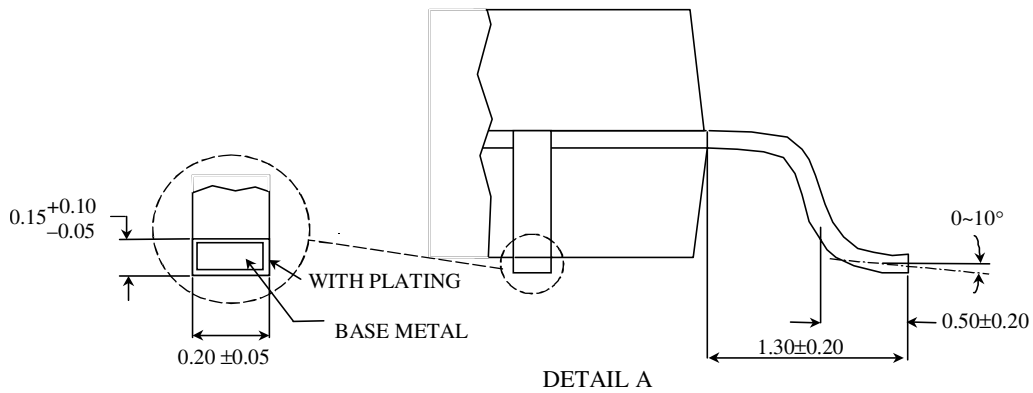
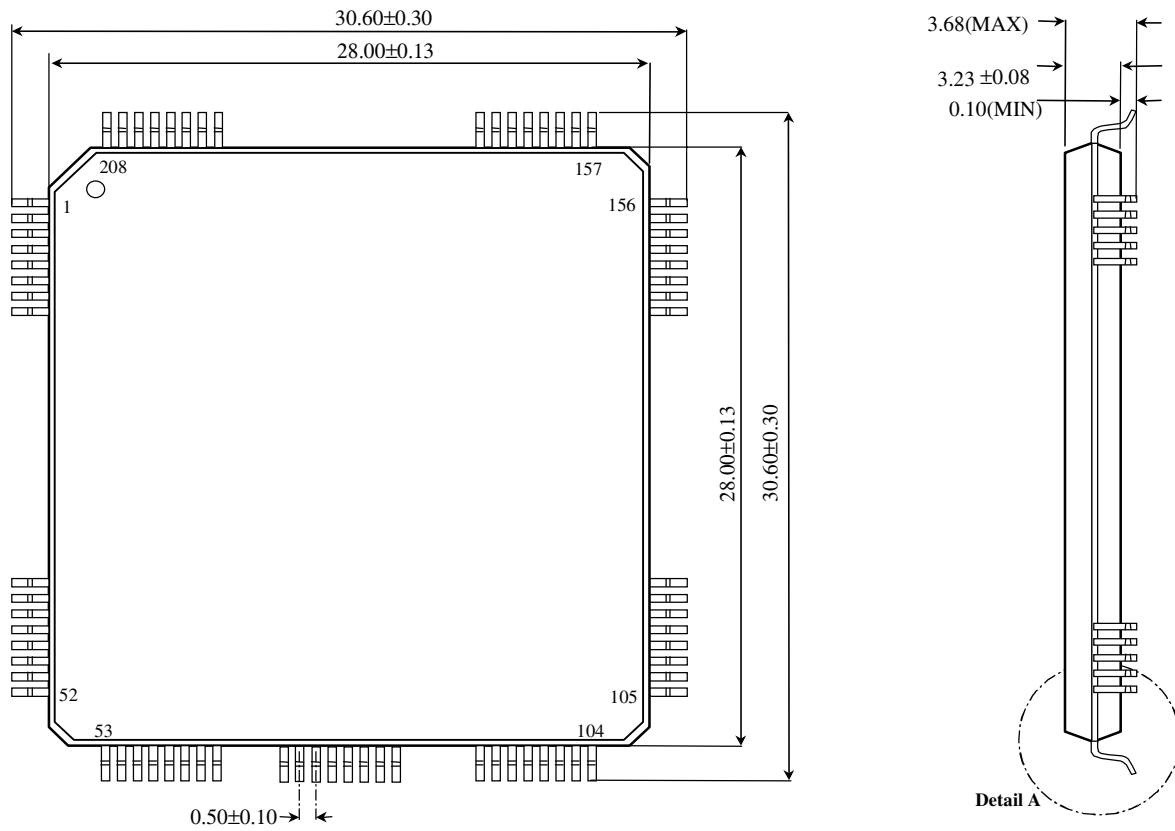
Schematic & Layout Review Service

Confirm Optimum
Schematic & Layout
Before Building Your Board.

For Our Free Review Service
Call Applications Engineering.



C a l l : (5 1 2) 4 4 5 - 7 2 2 2

7. 208 PIN MQFP PACKAGE SPECIFICATIONS


Notes: Measurement Unit = mm

Figure 15. CS98100 208-Pin MQFP Package Drawing

• **Notes** •



CIRRUS LOGIC[®]