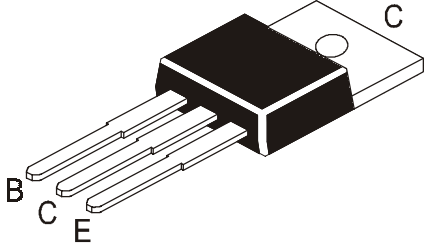


PNP PLASTIC POWER TRANSISTOR
NPN PLASTIC POWER TRANSISTOR

CSA 1012
CSC 2562

TO-220
Plastic Package



High Current Switching Applications.

ABSOLUTE MAXIMUM RATINGS (Ta=25°C unless specified otherwise)

DESCRIPTION	SYMBOL	VALUE	UNIT
Collector -Base Voltage(open emitter)	V_{CBO}	>60	V
Collector -Emitter Voltage(open base)	V_{CEO}	>50	V
Emitter Base Voltage(open collector)	V_{EBO}	>5.0	V
Collector Current	I_C	<5.0	A
Total Power Dissipation upto Tc=25°C	P_{tot}	<25	W
Junction Temperature	T_j	<150	°C
Storage Temperature	T_{stg}	-65 to +150	°C

ELECTRICAL CHARACTERISTICS (Ta=25°C unless specified otherwise)

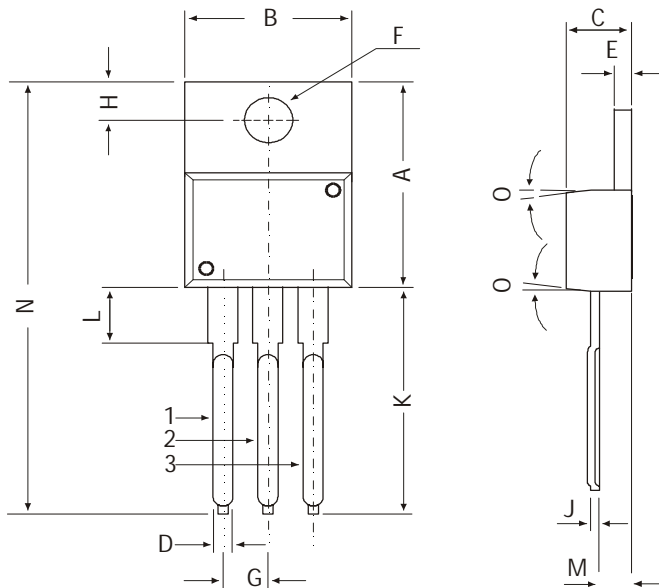
DESCRIPTION	SYMBOL	TEST CONDITION	MIN	TYP	MAX	UNIT
Collector Cut off Current	I_{CBO}	$V_{CB}=50V, I_E=0$			1.0	μA
Emitter Cut off Current	I_{EBO}	$V_{EB}=5V, I_C=0$			1.0	μA
Breakdown Voltages	V_{CEO}	$I_C=10mA, I_B=0$	50			V
	V_{CBO}	$I_C=1mA, I_E=0$	60			V
	V_{EBO}	$I_C=0, I_E=1mA$	5.0			V
Saturation Voltages	$V_{CE(sat)}$	$I_C=3A, I_B=0.15A$			0.4	V
	$V_{BE(sat)}$				1.2	V
DC Current Gain	h_{FE}	$I_C=1A, V_{CE}=1V^{**}$	70		240	
		$I_C=3A, V_{CE}=1V$	30		20	
Transition frequency	PNP NPN	f_T	$I_C=1.0A, V_{CE}=4V$		60	MHz
					120	MHz
Output Capacitance	PNP NPN	C_o	$V_{CB}=10V, I_E=0, f=1MHz$		170	pF
					80	pF

Switching Time

			$V_{CC}=30V, I_{B1}=-I_{B2}=0.15A$ Duty cycle =1%	
Turn on time	t_{on}		0.1	μs
Storage time	t_s		0	μs
Fall time	t_f		0.1	μs

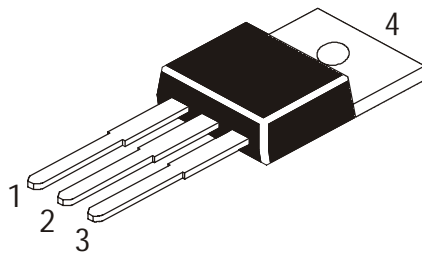
**** h_{FE} classification : O: 70-140 Y: 120-240**

TO-220 Plastic Package



DIM	MIN	MAX
A	14.42	16.51
B	9.63	10.67
C	3.56	4.83
D	—	0.90
E	1.15	1.40
F	3.75	3.88
G	2.29	2.79
H	2.54	3.43
J	—	0.56
K	12.70	14.73
L	2.80	4.07
M	2.03	2.92
N	—	31.24
O	7 DEG	

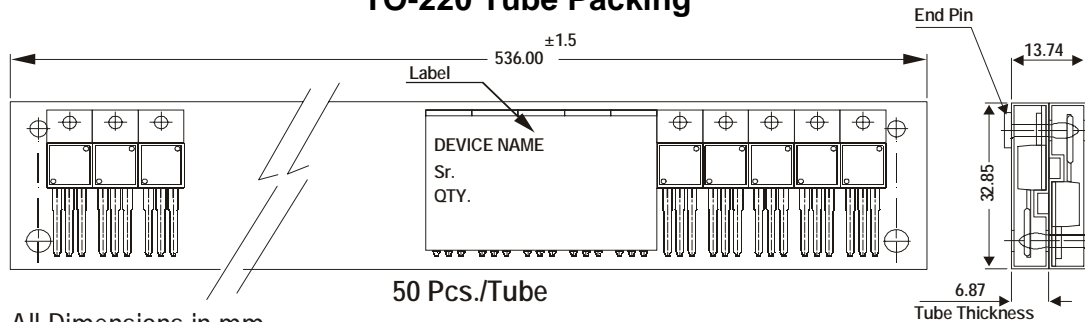
All dimensions in mm.



Pin Configuration

1. Base
2. Collector
3. Emitter
4. Collector

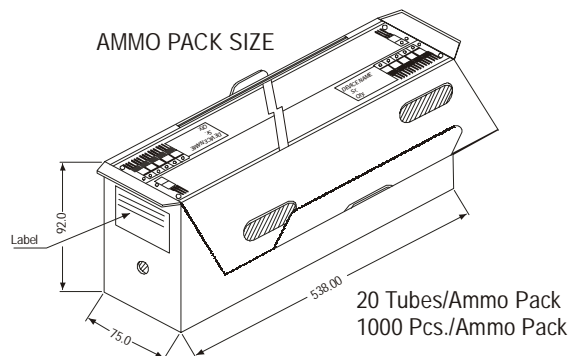
TO-220 Tube Packing



All Dimensions in mm

50 Pcs./Tube

AMMO PACK SIZE



20 Tubes/Ammo Pack
1000 Pcs./Ammo Pack

Packing Detail

PACKAGE	STANDARD PACK		INNER CARTON BOX		OUTER CARTON BOX		
	Details	Net Weight/Qty	Size	Qty	Size	Qty	Gr Wt
TO-220	200 pcs/polybag	396 gm/200 pcs	3" x 7.5" x 7.5"	1K	17" x 15" x 13.5"	16K	36 kgs
	50 pcs/tube	135 gm/50 pcs	3.5" x 3.7" x 21.5"	1K	19" x 19" x 19"	10K	28 kgs

Disclaimer

The product information and the selection guides facilitate selection of the CDIL's Discrete Semiconductor Device(s) best suited for application in your product(s) as per your requirement. It is recommended that you completely review our Data Sheet(s) so as to confirm that the Device(s) meet functionality parameters for your application. The information furnished in the Data Sheet and on the CDIL Web Site/CD is believed to be accurate and reliable. CDIL however, does not assume responsibility for inaccuracies or incomplete information. Furthermore, CDIL does not assume liability whatsoever, arising out of the application or use of any CDIL product; neither does it convey any license under its patent rights nor rights of others. These products are not designed for use in life saving/support appliances or systems. CDIL customers selling these products (either as individual Discrete Semiconductor Devices or incorporated in their end products), in any life saving/support appliances or systems or applications do so at their own risk and CDIL will not be responsible for any damages resulting from such sale(s).

CDIL strives for continuous improvement and reserves the right to change the specifications of its products without prior notice.



CDIL is a registered Trademark of

Continental Device India Limited

C-120 Naraina Industrial Area, New Delhi 110 028, India.

Telephone + 91-11-579 6150 Fax + 91-11-579 9569, 579 5290

e-mail sales@cdil.com www.cdil.com