



<b>Spec. No.</b>	PS-DD-S56222/S56223T9
<b>Rev.</b>	A

# PRODUCT SPECIFICATION

**Model No:CSD-S56222T9/S56223T9**

Descriptions:
<ul style="list-style-type: none"> <li>■ 0.56 Inch Dual Digit SMD Display</li> <li>■ Emitting Color : Super Bright Yellow</li> </ul>



CUSTOMER APPROVED SIGNATURES	APPROVED BY	CHECKED BY	PREPARED BY

**CHINA SEMICONDUCTOR CORPORATION**  
Address:2FL. NO.909,Chung-Cheng Road,  
Chung-Ho City Taipei Hsien,Taiwan.

Tel:886-2-2223-9696  
Fax:886-2-2223-9377

**OPTO PLUS TECHNOLOGIES CO.,LTD**  
Address:696 Shun jiang Rd.,Ji Shan St.Shaoxing,  
ZheJiang,China

Tel:86-0575-88623888  
Fax:86-0575-88623112

**Model No : CSD-S56222/S56223T9**

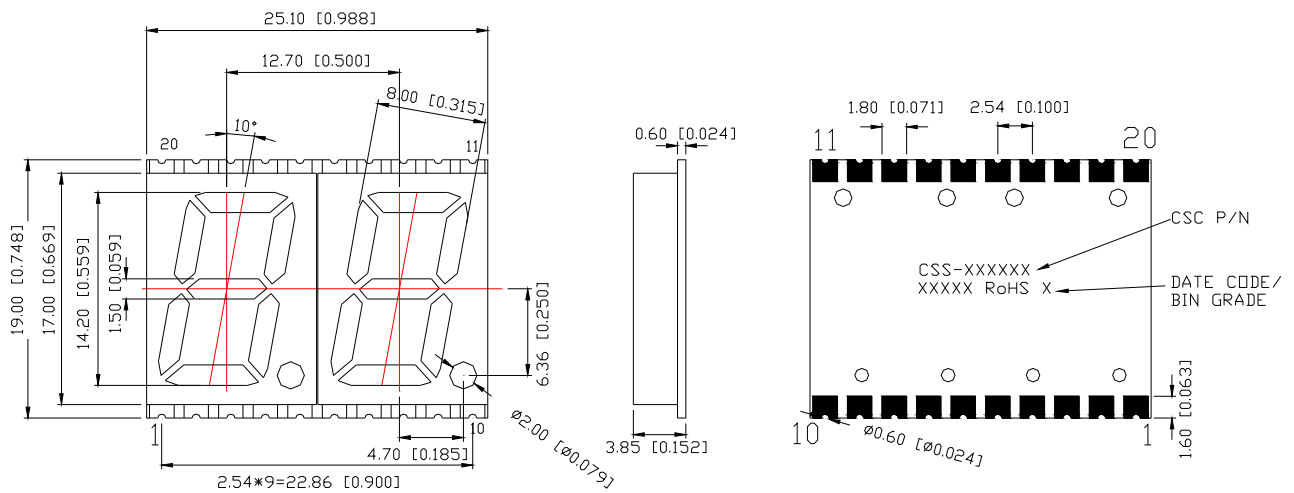
**Features -**

1. 0.56 inch (14.20mm) digit height.
2. Qualified according to JEDEC moisture sensitivity Level 2a.
3. RoHS compliant.
4. Low power consumption.
5. Easy mounting on P.C. board.

**Device Selection Guide -**

Model No.	Chip		Description
	Material	Emitting Color	
CSD-S56222T9	AlGaInP	Super Bright Yellow	Common Anode
CSD-S56223T9	AlGaInP	Super Bright Yellow	Common Cathode

**Mechanical Dimensions -**



**NOTE:**

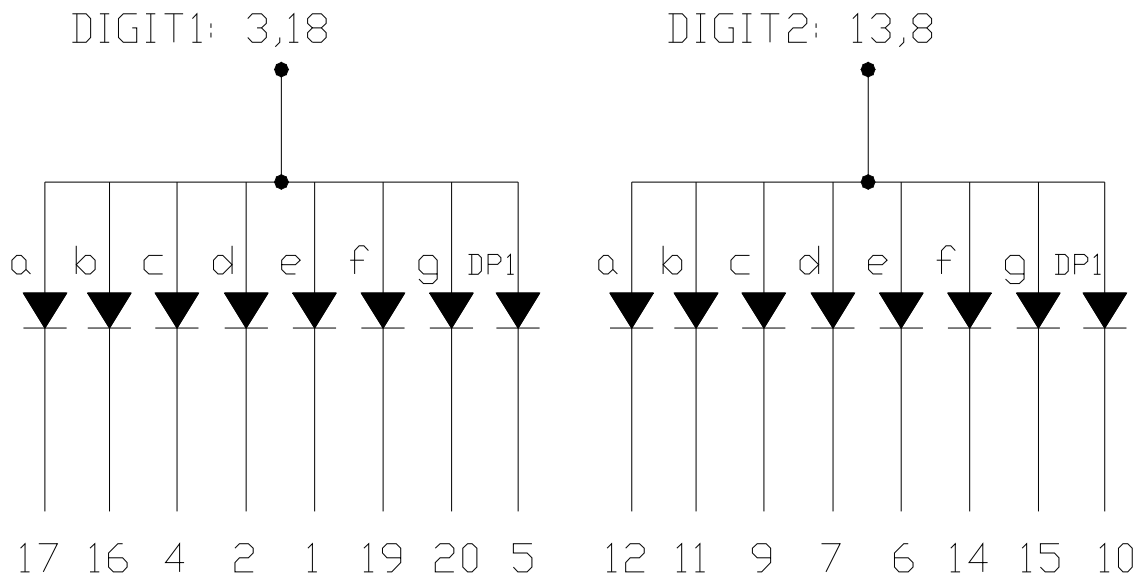
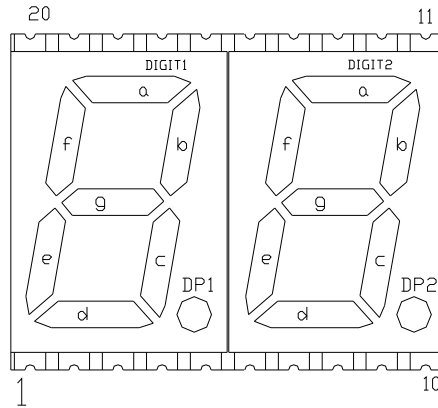
All dimensions are in millimeters [inches], and tolerance is  $\pm 0.25$  [0.010] unless otherwise noted.



<b>Spec. No.</b>	PS-DD-S56222/S56223T9
<b>Rev.</b>	A

**Model No : CSD-S56222/S56223T9**

**Internal Circuit Diagrams -**



CSD-S56222 Common Anode.  
( CSD-S56223 Common Cathode.)



<b>Spec. No.</b>	PS-DD-S56222/S56223T9
<b>Rev.</b>	A

**Model No : CSD-S56222/S56223T9**
**■ Absolute Maximum Rating -**

(Ta=25°C)

Parameter	Symbol	Rating	Unit
Power Dissipation Per Dice	<b>P<sub>AD</sub></b>	70	mW
Continuous Forward Current Per Dice	<b>I<sub>AF</sub></b>	25	mA
Peak Current Per Dice(duty cycle 1/10,1KHz)	<b>I<sub>PF</sub></b>	90	mA
Derating Linear From 25°C Per Dice	-	0.33	mA/°C
Reverse Voltage Per Dice	<b>V<sub>R</sub></b>	5	V
Operating Temp.	<b>T<sub>opr</sub></b>	-40 ~ +105	°C
Storage Temp.	<b>T<sub>stg</sub></b>	-40 ~ +105	°C

**Note:Solder temperature 1/16 inch below seating plane for 3 seconds at 260°C**
**■ Electro-optical Characteristics -**

(Ta=25°C)

Parameter	Symbol	Min.	Typ.	Max.	Unit	Condition
Forward Voltage Per Segment	<b>V<sub>F</sub></b>	-	2.1	2.8	V	I <sub>F</sub> =20mA
Luminous Intensity Per Segment	<b>I<sub>v</sub></b>	7	18	-	mcd	I <sub>F</sub> =10mA
Peak Emission Wavelength	<b>λ<sub>P</sub></b>	-	592	-	nm	I <sub>F</sub> =20mA
Spectrum Radiation Bandwidth	<b>Δλ</b>	-	20	-	nm	I <sub>F</sub> =20mA
Reverse Current	<b>I<sub>R</sub></b>	-	-	100	μA	V <sub>R</sub> =5V
Luminous Intensity Matching Ratio	<b>I<sub>V-m</sub></b>	-	-	2:1	-	I <sub>F</sub> =10mA



<b>Spec. No.</b>	PS-DD-S56222/S56223T9
<b>Rev.</b>	A

**Model No : CSD-S56222/S56223T9**

**Typical Electrical / Optical Characteristics Curves -**

**(Ta = 25°C Unless Otherwise Noted)**

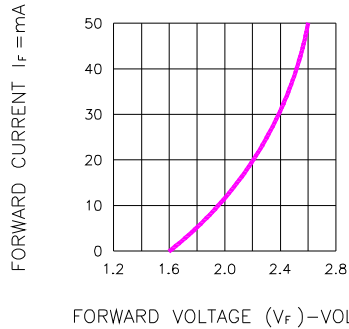


Fig.1 FORWARD CURRENT VS. FORWARD VOLTAGE

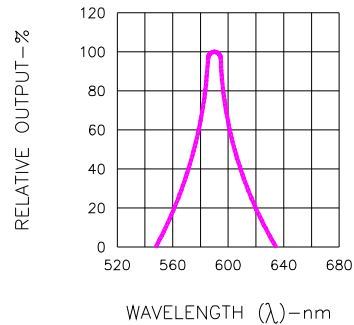


Fig.2 SPECTRAL RESPONSE

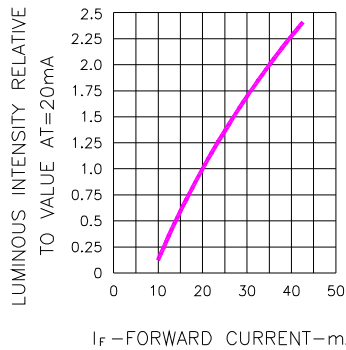


Fig.3 RELATIVE LUMINOUS INTENSITY VS. FORWARD CURRENT

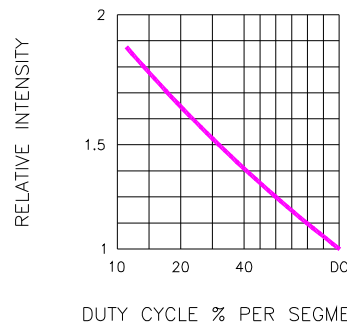


Fig.5 LUMINOUS INTENSITY VS. DUTY CYCLE

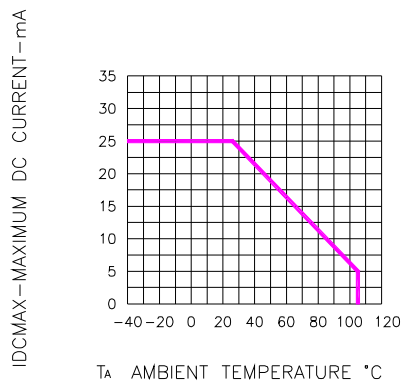


Fig.4 MAXIMUM ALLOWABLE DC CURRENT PER SEGMENT VS. A FUNCTION OF AMBIENT TEMPERATURE

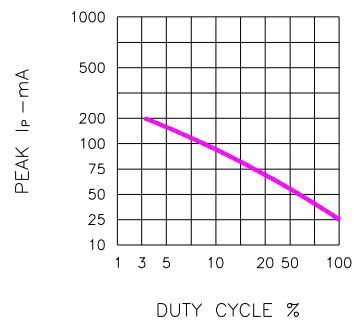


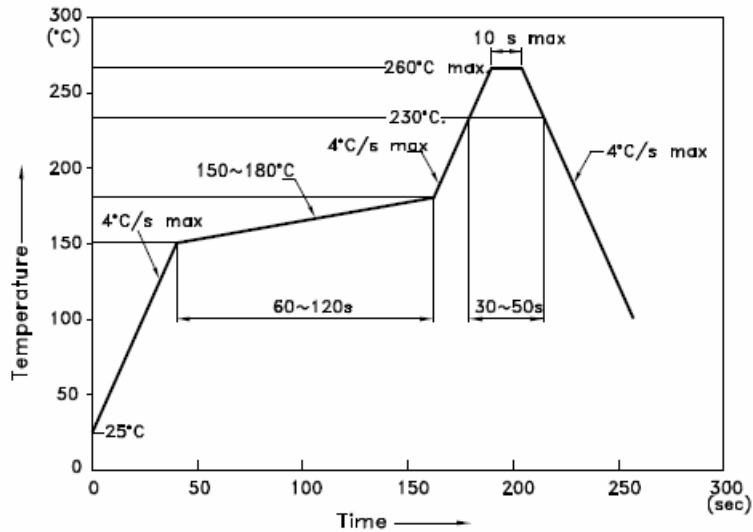
Fig.6 MAX PEAK CURRENT VS. DUTY CYCLE % (REFRESH RATE f=1 KHz)



Model No : CSD-S56222/S56223T9

## SMT REFLOW SOLDERING INSTRUCTIONS

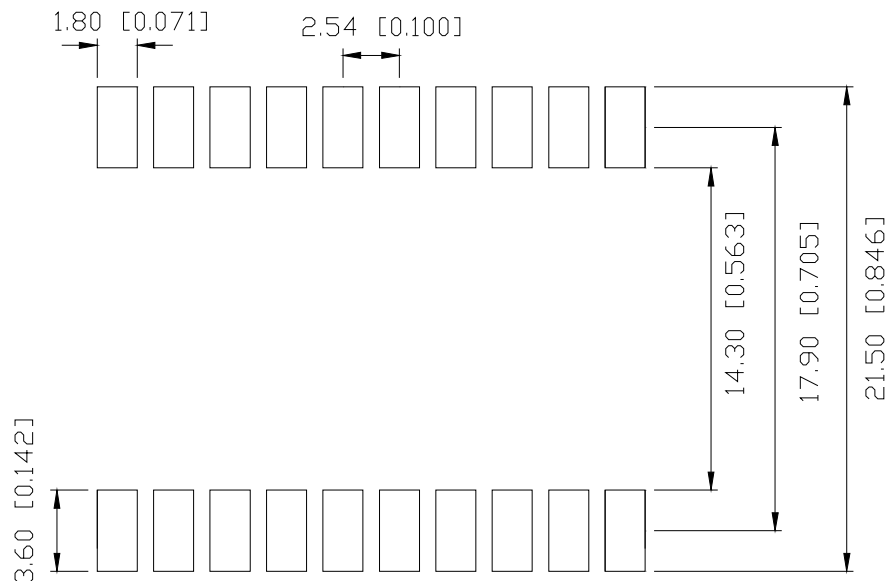
### ■ IR Reflow Temperature / Time :



#### NOTES:

1. We recommend the reflow temperature 245°C (+/-5°C). The maximum soldering temperature should be limited to 260°C.
2. Don't cause stress to the epoxy resin while it is exposed to high temperature.
3. Number of reflow process shall be 2 times or less.

### ■ Soldering Pad Size

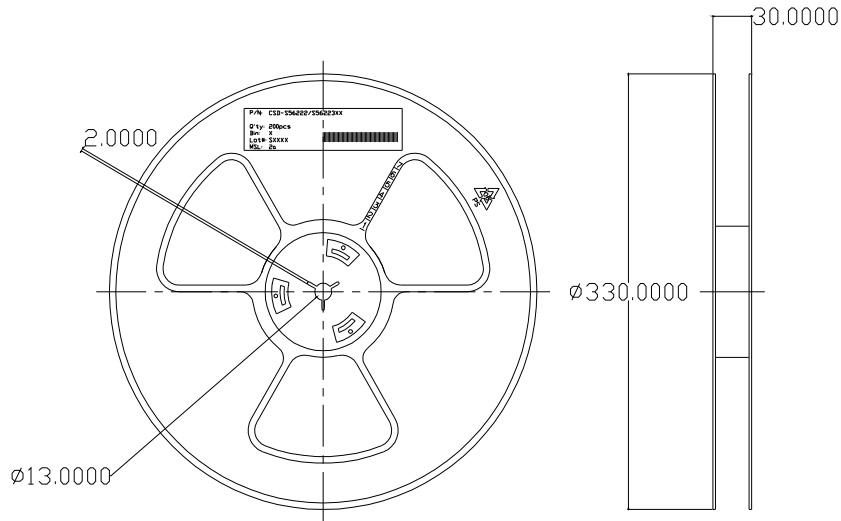




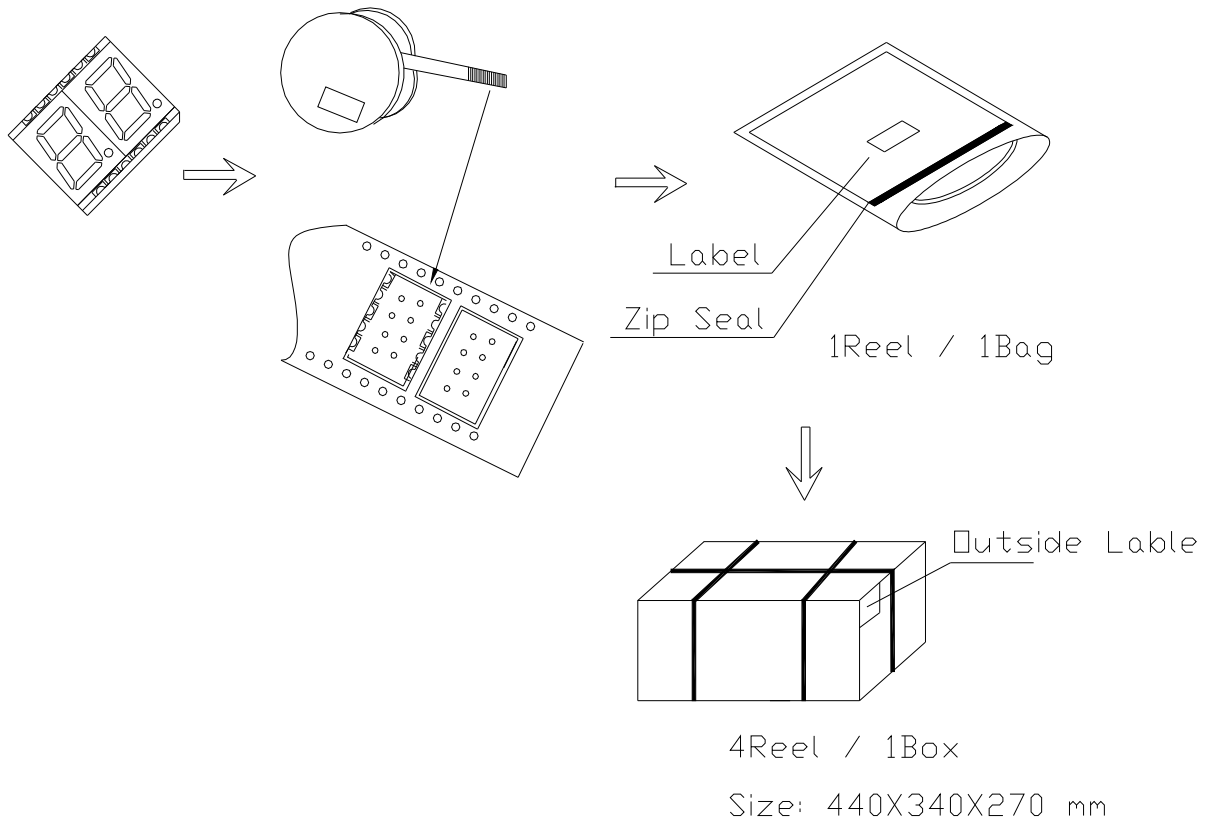
Spec. No.	PS-DD-S56222/S56223T9
Rev.	A

Model No : CSD-S56222/S56223T9

REEL DIMENSIONS



PACKING & LABEL SPECIFICATIONS



Note: The specifications are subject to change without notice. Please contact us for updated information.