

ZERO RECOVERY™ RECTIFIER

Features

- 600 Volt Schottky Rectifier
- Zero Reverse Recovery
- Zero Forward Recovery
- High Frequency Operation
- Temperature Independent Switching Behavior
- Extremely Fast Switching
- Positive Temperature Coefficient on V_f

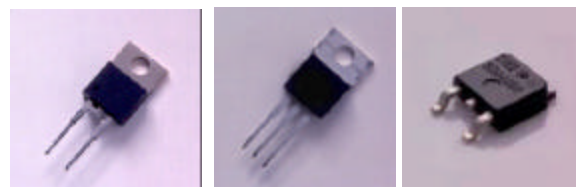
Applications

- Switch Mode Power Supplies
- Power Factor Correction
- Motor Control

Benefits

- Replace Bipolar with Unipolar Rectifiers
- Essentially No Switching Losses
- Higher Efficiency
- Reduction Of Rectifier Heat Sink
- Parallel Devices without Thermal Runaway

Package



Maximum Ratings

Parameter	Symbol	Value	Unit
Repetitive Peak Reverse Voltage	V_{RRM}	600	V
Surge Peak Reverse Voltage	V_{RSM}	600	V
DC Blocking Voltage	V_{DC}	600	V
Average Forward Current $T_C=150^{\circ}\text{C}$	$I_{F(AV)}$	4	A
Repetitive Peak Forward Surge Current $T_C=25^{\circ}\text{C}$, $t_p=8.3\text{ms}$, Half Sine Wave	I_{FRM}	20	A
Non-Repetitive Peak Forward Surge Current $T_C=25^{\circ}\text{C}$, $t_p=10\mu\text{s}$, Pulse	I_{FSM}	110	A
Power Dissipation $T_C = 25^{\circ}\text{C}$	P_{tot}	62.5	W
Operating Junction and Storage Temperature	T_J, T_{stg}	-55 to +175	$^{\circ}\text{C}$

ELECTRICAL CHARACTERISTICS

Parameter	Symbol	Min	Typ	Max	Units
Forward Voltage $I_F = 4A$ $T_J = 25^\circ C$ $I_F = 4A$ $T_J = 175^\circ C$	V_F		1.6 2.0	1.8 2.4	V
Reverse Current $V_R = 600V$ $T_J = 25^\circ C$ $V_R = 600V$ $T_J = 175^\circ C$	I_R		25 50	200 1000	μA
Total Capacitive Charge $V_R = 600V, I_F = 4A, di/dt = 500 A/\mu s, T_J = 25^\circ C$	Q_C		9		nC
Total Capacitance $V_R = 0V, T_J = 25^\circ C, f = 1MHz$ $V_R = 200V, T_J = 25^\circ C, f = 1MHz$ $V_R = 400V, T_J = 25^\circ C, f = 1MHz$	C		220 26 20		pF

NOTE:

1. This is a majority carrier diode, so there is no reverse recovery charge.

THERMAL CHARACTERISTICS

Characteristic	Symbol	Min	Typ	Max	Units
Thermal Resistance from Junction to Case	$R_{\theta JC}$		2.4		$^\circ C/W$

Typical Performance

Figure 1. Forward Characteristics

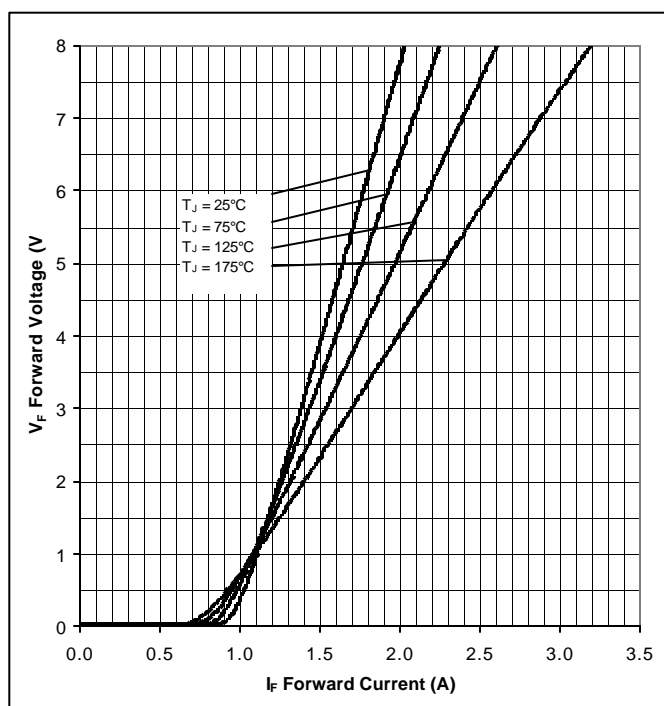


Figure 2. Reverse Characteristics

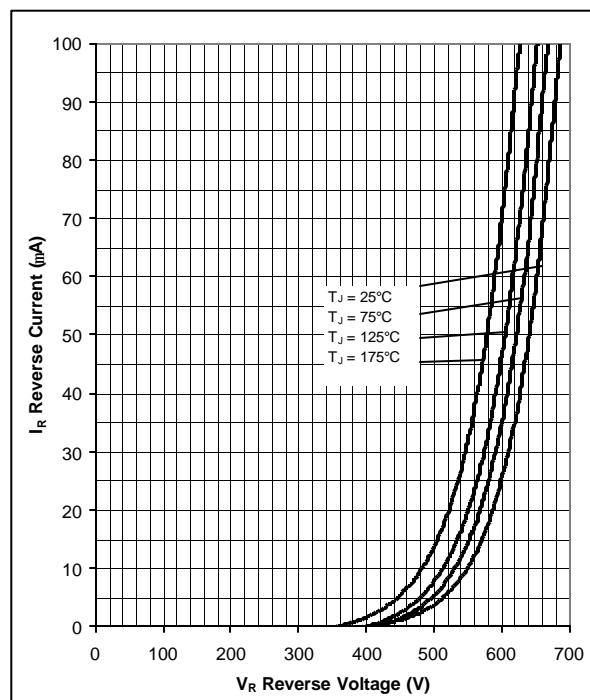




Figure 3. Current Derating

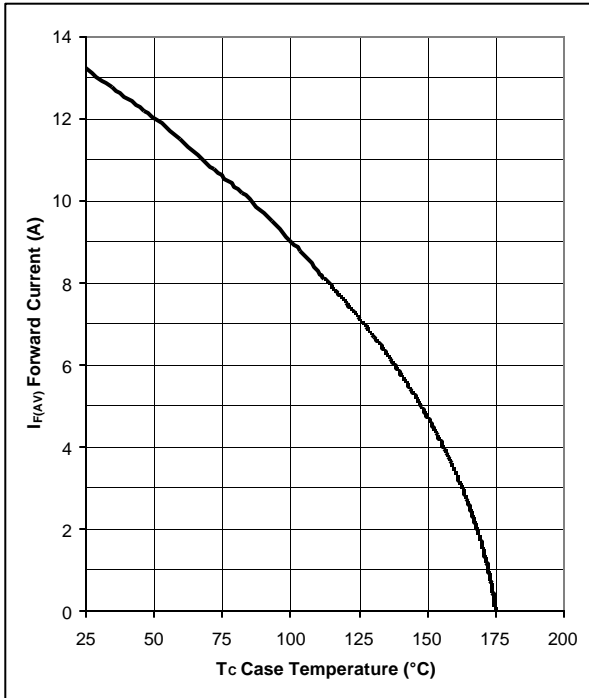


Figure 4. Capacitance vs. Reverse Voltage

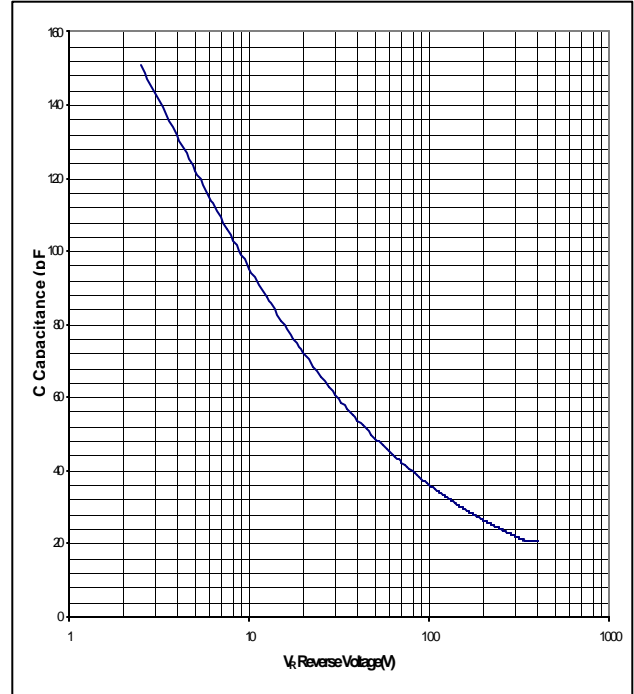
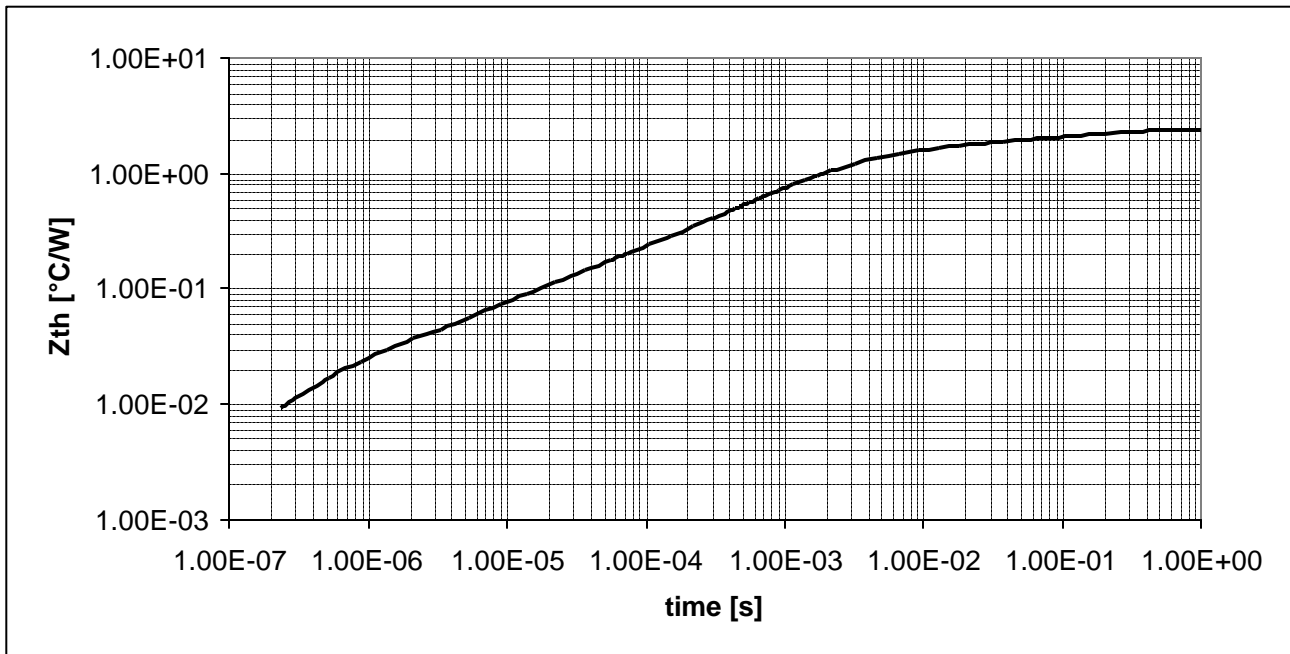


Figure 5. Transient Thermal Impedance

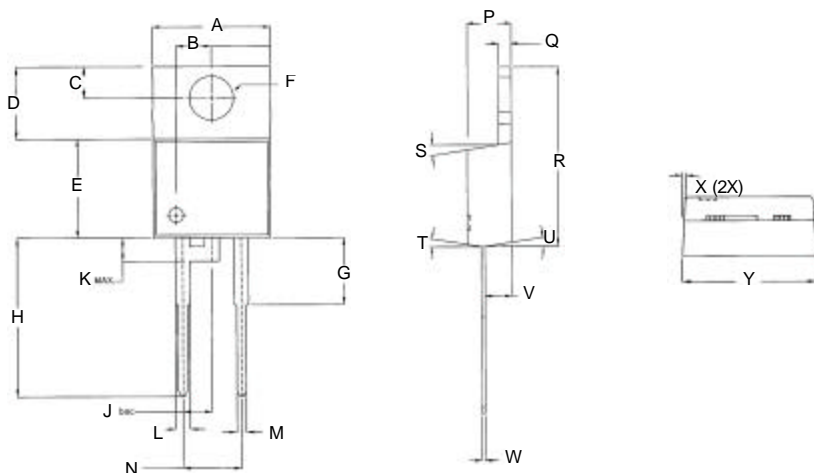




CSD04060

Package Dimensions

Package TO-220-2



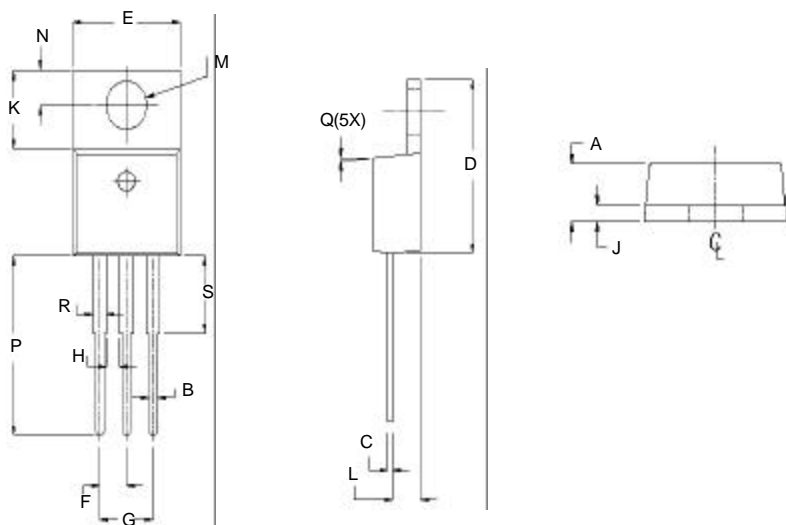
POS	Inches		Millimeters	
	Min	Max	Min	Max
A	.402	.408	10.211	10.364
B	.120	.124	3.048	3.150
C	.106	.110	2.692	2.794
D	.245	.251	6.223	6.375
E	.335	.345	8.509	8.763
F	.149	.153	3.784	3.886
G	.220	.240	5.588	6.096
H	.540	.550	13.716	13.970
J	.100 REF		2.540 REF	
K	--	.080	--	2.032
L	.050	.056	1.270	1.422
M	.032	.038	.813	.956
N	.197	.203	5.004	5.156
P	.170	.180	4.318	4.572
Q	.048	.052	1.219	1.321
R	.583	.593	14.808	15.062
S	6.5°	8.5°	6.5°	8.5°
T	6.5°	8.5°	6.5°	8.5°
U	6.5°	8.5°	6.5°	8.5°
V	.103	.107	2.616	2.718
W	.015	.021	.381	.533
X	2.0°	4.0°	2.0°	4.0°
Y	.396	.406	10.058	10.312

NOTE:

1. Dimension L, M, W apply for Solder Dip Finish.



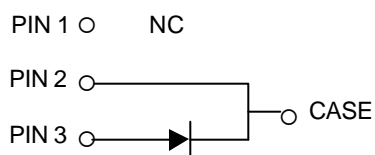
Package TO-220-3



POS	Inches		Millimeters	
	Min	Max	Min	Max
A	.160	.190	4.06	4.83
B	.025	.040	0.63	1.02
C	.015	.022	0.38	0.56
D	.560	.590	14.22	14.99
E	.385	.415	9.78	10.54
F	.090	.110	2.29	2.79
G	.190	.210	4.83	5.33
H	.045	.055	1.14	1.40
J	.045	.055	1.14	1.40
K	.234	.258	5.94	6.55
L	.090	.115	2.29	2.92
M	.146	.156	3.71	3.96
N	.103	.113	2.62	2.87
P	.540	.560	13.72	14.22
Q	3°	7°	3°	7°
R	.045	.060	1.14	1.52
S	.243 REF		6.17 REF	

NOTE:

1. Dimension C apply for Solder Plate Finish.

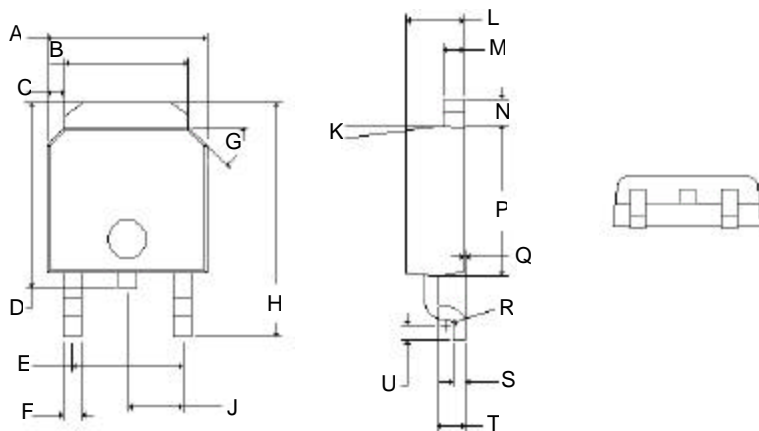




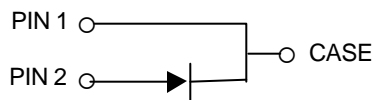
CSD04060

Package Dimensions (Cont.)

Package TO-252-2



POS	Inches		Millimeters	
	Min	Max	Min	Max
A	.255	.265	6.477	6.731
B	.197	.205	5.004	5.207
C	.027	.033	.686	.838
D	.292	.322	7.417	8.179
E	.178	.182	4.521	4.623
F	.025	.035	.635	.889
G	44°	46°	44°	46°
H	.382	.397	9.703	10.084
J	.090TYP		2.286TYP	
K	6°	8°	6°	8°
L	.086	.094	2.184	2.388
M	.030	.034	.762	.864
N	.040	.044	1.016	1.118
P	.235	.245	5.969	6.223
Q	0.00	.004	0.00	.102
R	R0.01TYP		R0.31TYP	
S	.017	.023	.428	.588
T	.040	.044	1.016	1.118
U	.021	.027	.534	.686



Part Number	Package	Marking
CSD04060A	TO-220-2	CSD04060
CSD04060B	TO-220-3	CSD04060
CSD04060E	TO-252-2	SD04060

This product has not been designed or tested for use in, and is not intended for use in, applications implanted into the human body nor in applications in which failure of the product could lead to death, personal injury or property damage, including but not limited to equipment used in the operation of nuclear facilities, life-support machines, cardiac defibrillators or similar emergency medical equipment, aircraft navigation or communication or control systems, air traffic control systems, or weapons systems.

Copyright © 2001 Cree, Inc. All rights reserved. Permission is given to reproduce this document provided the entire document (including this copyright notice) is duplicated.

The information in this document is subject to change without notice.

Cree and the Cree logo are trademarks of Cree, Inc.

Cree, Inc.
Power Products
4600 Silicon Drive • Durham, NC 27703 • USA
Tel: 919-313-5300 • Fax: 919-313-5451

www.cree.com