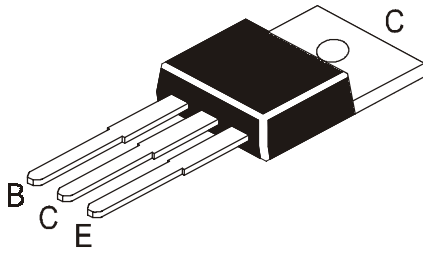


**NPN SILICON EPITAXIAL POWER TRANSISTOR**

**CSD73**



**TO - 220  
Plastic Package**

**Low Frequency High Power Amplifier**

**ABSOLUTE MAXIMUM RATINGS**

DESCRIPTION	SYMBOL	VALUE	UNIT
Collector - Base Voltage	$V_{CBO}$	100	V
Collector- Emitter Voltage	$V_{CEO}$	60	V
Emitter- Base Voltage	$V_{EBO}$	5	V
Collector Current	$I_C$	5	A
Collector Dissipation( $T_c=25^\circ C$ )	$P_C$	30	W
Operating & Storage Junction Temperature Range	$T_j, T_{stg}$	-55 to +150	$^\circ C$

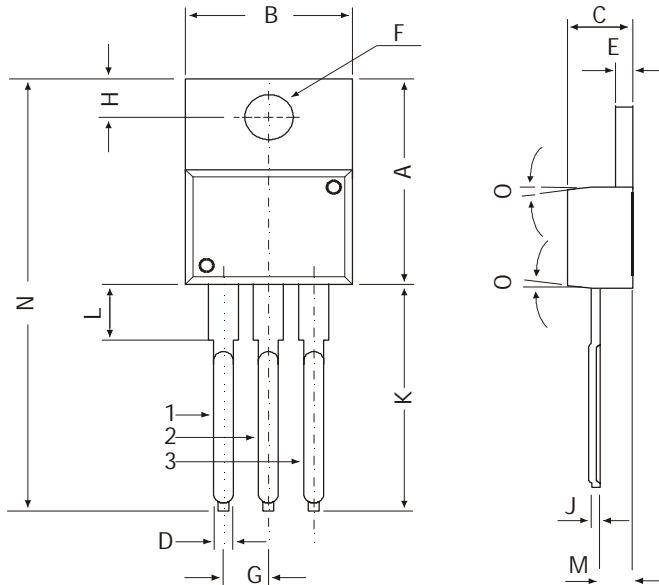
**ELECTRICAL CHARACTERISTICS ( $T_c=25^\circ C$  unless specified otherwise)**

DESCRIPTION	SYMBOL	TEST CONDITION	MIN	TYP	MAX	UNIT
Collector - Base Voltage	$V_{CBO}$	$I_C=1mA, I_E=0$	100	-	-	V
Collector- Emitter Voltage	$V_{CEO}$	$I_C=20mA, I_B=0$	60	-	-	V
Collector- Base Voltage	$V_{EBO}$	$I_E=1mA, I_C=0$	5	-	-	V
Collector Cut off Current	$I_{CBO}$	$V_{CB}=100V, I_E=0$	-	-	5	mA
DC Current Gain	$h_{FE}$	$I_C=1A, V_{CE}=10V$	70	-	240	
Collector Emitter Saturation Voltage	$V_{CE(sat)}$	$I_C=5A, I_B=0.5A$	-	-	2.0	V
Base Emitter Saturation Voltage	$V_{BE(sat)}$	$I_C=5A, I_B=0.5A$	-	-	1.5	V
Base Emitter on Voltage	$V_{BE(on)}$	$I_C=1A, V_{CE}=10V$	-	0.75	-	V
Current Gain Bandwidth Product	$f_T$	$I_C=0.3A, V_{CE}=10V$	-	20	-	MHz

Classification	O	Y
$h_{FE}$	70 - 140	120 - 240

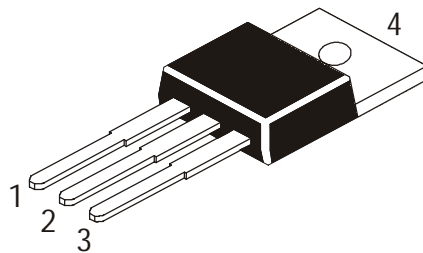
# TO - 220 Plastic Package

## TO-220 Plastic Package



DIM	MIN	MAX
A	14.42	16.51
B	9.63	10.67
C	3.56	4.83
D	—	0.90
E	1.15	1.40
F	3.75	3.88
G	2.29	2.79
H	2.54	3.43
J	—	0.56
K	12.70	14.73
L	2.80	4.07
M	2.03	2.92
N	—	31.24
O	7 DEG	

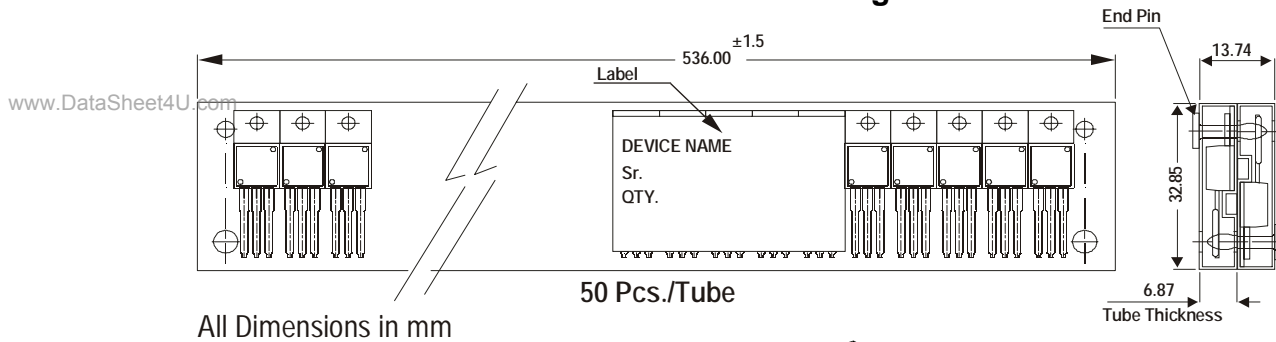
All dimensions in mm.



### Pin Configuration

1. Base
2. Collector
3. Emitter
4. Collector

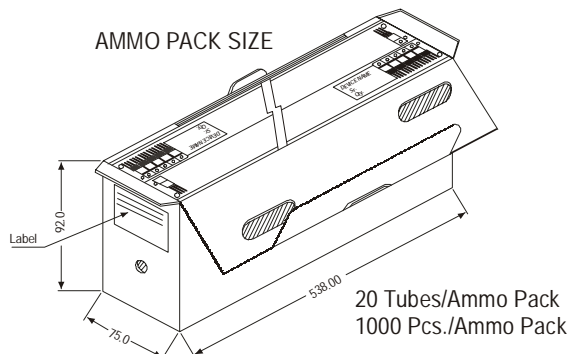
## TO-220 Tube Packing



All Dimensions in mm

50 Pcs./Tube

### AMMO PACK SIZE



20 Tubes/Ammo Pack  
1000 Pcs./Ammo Pack

## Packing Detail

PACKAGE	STANDARD PACK		INNER CARTON BOX		OUTER CARTON BOX		
	Details	Net Weight/Qty	Size	Qty	Size	Qty	Gr Wt
TO-220	200 pcs/polybag 50 pcs/tube	396 gm/200 pcs 135 gm/50 pcs	3" x 7.5" x 7.5" 3.5" x 3.7" x 21.5"	1K 1K	17" x 15" x 13.5" 19" x 19" x 19"	16K 10K	36 kgs 28 kgs

**TO - 220  
Plastic Package**

www.DataSheet4U.com

**Disclaimer**

The product information and the selection guides facilitate selection of the CDIL's Discrete Semiconductor Device(s) best suited for application in your product(s) as per your requirement. It is recommended that you completely review our Data Sheet(s) so as to confirm that the Device(s) meet functionality parameters for your application. The information furnished in the Data Sheet and on the CDIL Web Site/CD are believed to be accurate and reliable. CDIL however, does not assume responsibility for inaccuracies or incomplete information. Furthermore, CDIL does not assume liability whatsoever, arising out of the application or use of any CDIL product; neither does it convey any license under its patent rights nor rights of others. These products are not designed for use in life saving/support appliances or systems. CDIL customers selling these products (either as individual Discrete Semiconductor Devices or incorporated in their end products), in any life saving/support appliances or systems or applications do so at their own risk and CDIL will not be responsible for any damages resulting from such sale(s).

CDIL strives for continuous improvement and reserves the right to change the specifications of its products without prior notice.



CDIL is a registered Trademark of

**Continental Device India Limited**

C-120 Naraina Industrial Area, New Delhi 110 028, India.

Telephone + 91-11-2579 6150, 5141 1112 Fax + 91-11-2579 5290, 5141 1119

email@cdil.com www.cdilsemi.com