

Component General, Inc.

Coaxial SMA Male Terminations

MECHANICAL SPECIFICATIONS



Connector: Stainless Steel, Passivated.
 Insulator: PTFE, Virgin grade.
 Impedance: 50 Ω.

www.DataSheet4U.com

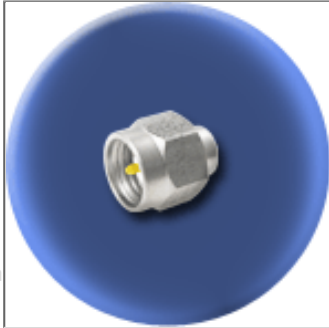
high power Coaxial SMA Male terminations product selection chart

P/N	Power Avg.	Peak Power	Length	Width
CSM-1	1 W	1.0 KW.	0.400" Max.	5/16 Hex.
CSM-4	1 W	1.0 KW.	0.400" Max.	5/16 Hex.
CSM-02 SM	2 W	1.5 KW.	0.550"	5/16 Hex.
CFT-05 SM	5 W	2.0 KW.	1.600"	0.750"
CFT-10 SM	10 W	1.0 KW.	1.970"	0.645"
CFT-15 SM	15 W	2.0 KW.	2.000"	1.250"
CFT-35 SM	35 W	3.0 KW.	2.200"	1.650"
CHT-15-2 SM	15 W	N/A	0.987"	1.000"
CHT-30 SM	30 W	N/A	1.107"	1.500"
CHT-50 SM	50 W	N/A	1.467"	1.375"
CHT-100 SM	100 W	N/A	1.467"	1.375"
CHT-150 SM	150 W	N/A	2.132"	2.000"
CHT-150-1 SM	150 W	N/A	2.132"	2.000"
CHT-250 SM	250 W	N/A	2.132"	2.000"

Component General, Inc.

P/N:CSM-1

Coaxial Terminations



Electrical Specifications

Power Average:

1.0 W.

Frequency Range:

DC - 18.0 GHz

VSWR (Max.):

1.15:1

Power Peak:

1.0 KW.

Impedance:

50 Ω

Torque:

9 IN.-LB. (Mandatory)

Mechanical Specifications

Nut:

Stainless Steel, Passivated.

Contact:

Tellurium Copper, Gold plated.

Housing:

Tellurium Copper, Nickel plated.
(Also available with gold plating.)

Insulator:

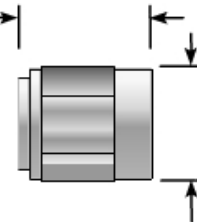
PTFE, Virgin grade.

Weight:

2.2 Grams.

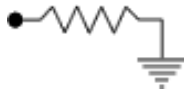
Part Dimensions

* 0.400" (10.160mm) Max. →



5/16 Hex. (7.94mm)

* Max. length with chain 0.650". | Add -C to P/N for 3" (approx.) chain.

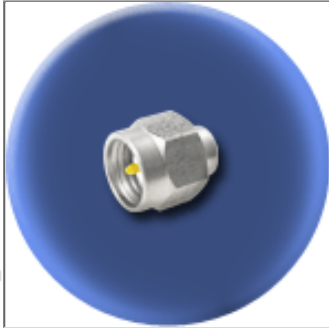


2445 Success Drive Odessa, FL 33556
727-376-6655 or 800-246-4084

Component General, Inc.

P/N:CSM-4

Coaxial Terminations



Electrical Specifications

Power Average:

1 W.

Frequency Range:

DC - 2.0 GHz

VSWR (Max.):

1.20:1

Power Peak:

1.0 KW.

Impedance:

50 Ω

Torque:

9 IN.-LB. (Mandatory)

Mechanical Specifications

Nut:

Stainless Steel, Passivated.

Contact:

Tellurium Copper, Gold plated.

Housing:

Tellurium Copper, Nickel plated.
(Also available with gold plating.)

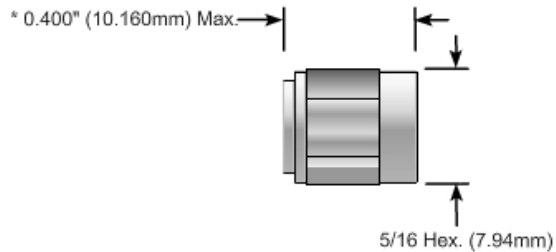
Insulator:

PTFE, Virgin grade.

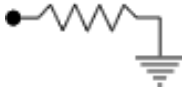
Weight:

2.2 Grams.

Part Dimensions



* Max. length with chain 0.650". | Add -C to P/N for 3" (approx.) chain.

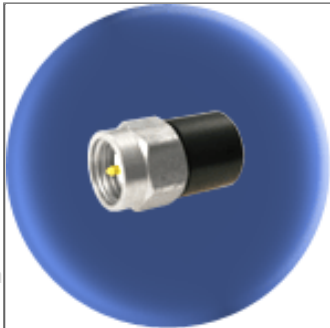


2445 Success Drive Odessa, FL 33556
727-376-6655 or 800-246-4084

Component General, Inc.

P/N:CSM-02 SM

Coaxial Terminations



Electrical Specifications

Power Average:

2 W.

Frequency Range:

DC - 18.0 GHz

VSWR (Max.):

1.15:1

Power Peak:

1.5 KW.

Impedance:

50 Ω

Torque:

9 IN.-LB. (Mandatory)

Mechanical Specifications

Nut:

Stainless Steel, Passivated.

Contact:

Tellurium Copper, Gold plated.

Housing:

Aluminum, Black Anodized.

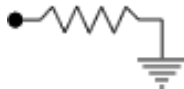
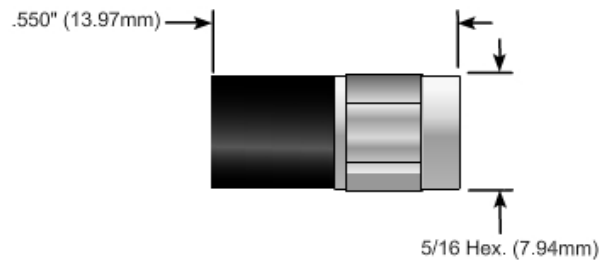
Insulator:

PTFE, Virgin grade.

Weight:

3.0 Grams.

Part Dimensions

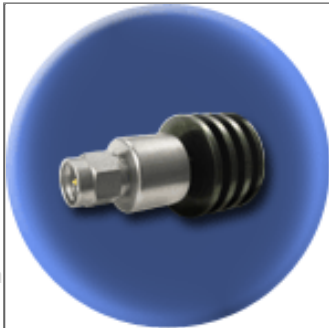


2445 Success Drive Odessa, FL 33556
727-376-6655 or 800-246-4084

Component General, Inc.

P/N:CFT-05 SM

Coaxial Terminations



Electrical Specifications

Power Average: 5 W.	Frequency Range:	VSWR (Max.):
	DC - 6.0 GHz	1.15:1
	6.0 - 12.0 GHz	1.25:1
Power Peak: 2.0 KW.	12.0 - 18.0 GHz	1.35:1
	Impedance: 50 Ω	

Mechanical Specifications

Connector:

Stainless Steel, Passivated

Contact:

Tellurium Copper, Gold plated.

Housing :

Aluminum, Black Anodized.

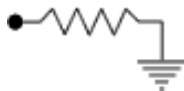
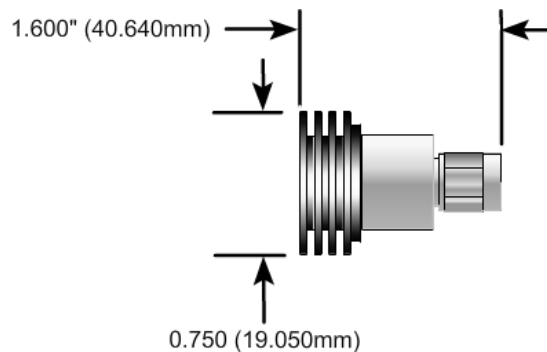
Insulator:

PTFE, Virgin grade.

Weight:

12.0 Grams.

Part Dimensions



the CHT Series high power coaxial terminations are conduction cooled loads. They are designed to be mounted on a heat sink ground plane or a chill plate. The power ratings require that the base plate of the cht-15-2 does not exceed 100°C or 85°C for all other sizes.

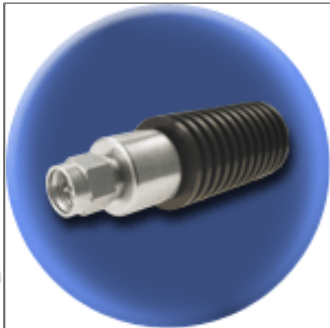


2445 Success Drive Odessa, FL 33556
727-376-6655 or 800-246-4084

Component General, Inc.

P/N:CFT-10 SM

Coaxial Terminations



Electrical Specifications

Power Average:

10 W.

Frequency Range:

DC - 4.0 GHz

4.0 - 12.0 GHz

12.0 - 18.0 GHz

VSWR (Max.):

1.10:1

1.20:1

1.35:1

Power Peak:

1.0 KW.

Impedance:

50 Ω

Mechanical Specifications

Nut:

Stainless Steel.

Contact:

Beryllium Copper, Gold plated.

Housing:

Aluminum, Black Anodized.

Insulator:

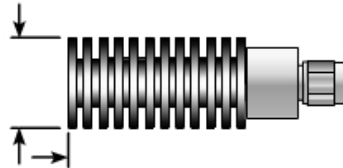
PTFE, Virgin grade.

Weight:

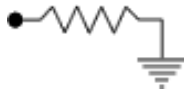
22.0 Grams.

Part Dimensions

0.645" (16.380mm)



1.970" (50.040mm)

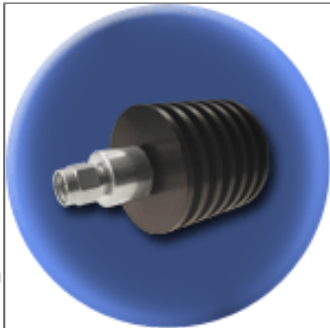


2445 Success Drive Odessa, FL 33556
727-376-6655 or 800-246-4084

Component General, Inc.

P/N:CFT-15 SM

Coaxial Terminations



Electrical Specifications

Power Average:

15 W.

Frequency Range:

DC - 4.0 GHz

4.0 - 12.0 GHz

12.0 - 18.0 GHz

VSWR (Max.):

1.10:1

1.20:1

1.35:1

Power Peak:

2.0 KW.

Impedance:

50 Ω

Mechanical Specifications

Nut:

Stainless Steel.

Contact:

Beryllium Copper, Gold plated.

Housing:

Aluminum, Black Anodized.

Insulator:

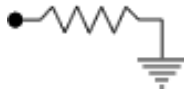
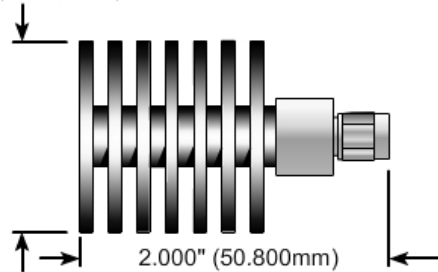
PTFE, Virgin grade.

Weight:

55.0 Grams.

Part Dimensions

1.250" (31.750mm)

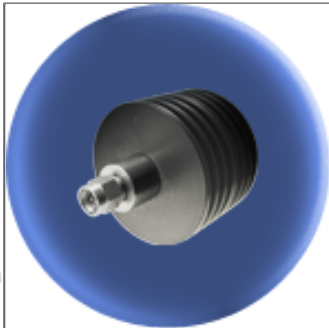


2445 Success Drive Odessa, FL 33556
727-376-6655 or 800-246-4084

Component General, Inc.

P/N:CFT-35 SM

Coaxial Terminations



Electrical Specifications

Power Average:

35 W.

Frequency Range:

DC - 2.0 GHz

2.0 - 4.0 GHz

VSWR (Max.):

1.15:1

1.25:1

Power Peak:

3.0 KW.

Impedance:

50 Ω

Mechanical Specifications

Nut:

Stainless Steel.

Contact:

Beryllium Copper, Gold plated.

Housing:

Aluminum, Black Anodized.

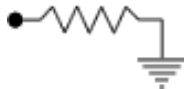
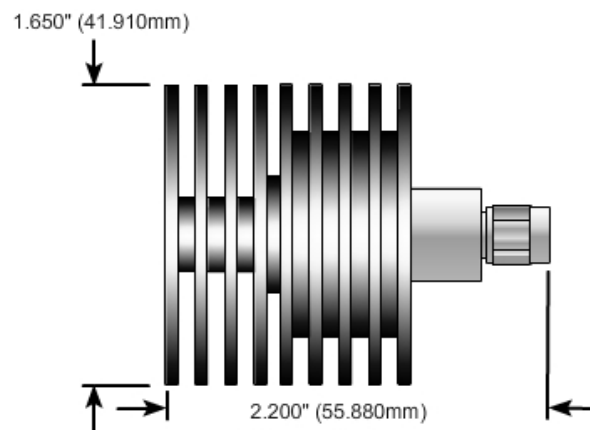
Insulator:

PTFE, Virgin grade.

Weight:

60.0 Grams.

Part Dimensions

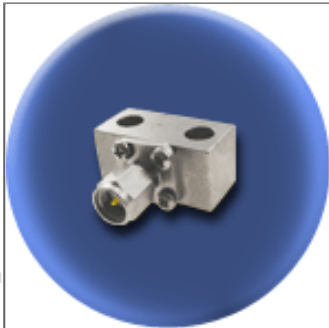


2445 Success Drive Odessa, FL 33556
727-376-6655 or 800-246-4084

Component General, Inc.

P/N: CHT-15-2 SM

Coaxial Terminations



Electrical Specifications

	Frequency Range:	VSWR (Max.):
Power: 15 W.	DC - 4.0 GHz	1.15:1
	4.0 - 8.0 GHz	1.20:1
	8.0 - 12.4 GHz	1.30:1
Impedance: 50 Ω		

Mechanical Specifications

Connector:

Stainless Steel, Passivated.

Contact:

Beryllium Copper, Silver plated.

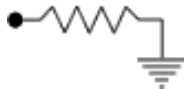
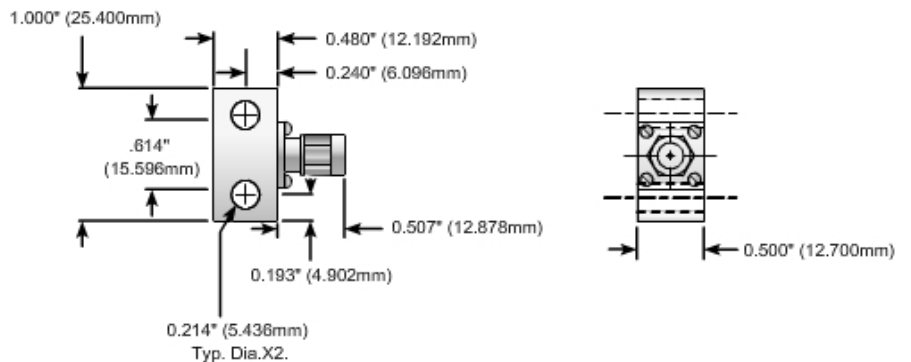
Housing:

Copper, Nickel plated.

Insulator:

PTFE, Virgin grade.

Part Dimensions



The CHT Series high power coaxial terminations are conduction cooled loads. They are designed to be mounted on a heat sink ground plane or a chill plate. The power ratings require that the base plate of the CHT-15-2 does not exceed 100°C or 85°C for all other sizes.

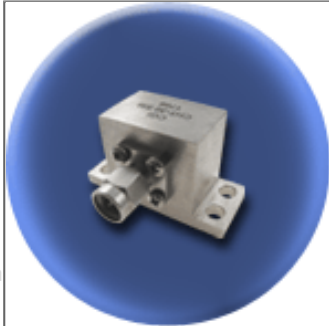


2445 Success Drive Odessa, FL 33556
727-376-6655 or 800-246-4084

Component General, Inc.

P/N: CHT-30 SM

Coaxial Terminations



Electrical Specifications

Power:

30 W.

Frequency Range: VSWR (Max.):

DC - 4.0 GHz	1.25:1
4.0 - 8.0 GHz	1.35:1
8.0 - 18.0 GHz	1.40:1

Impedance:

50 Ω

Mechanical Specifications

Connector:

Stainless Steel, Passivated.

Contact:

Beryllium Copper, Silver plated.

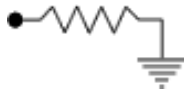
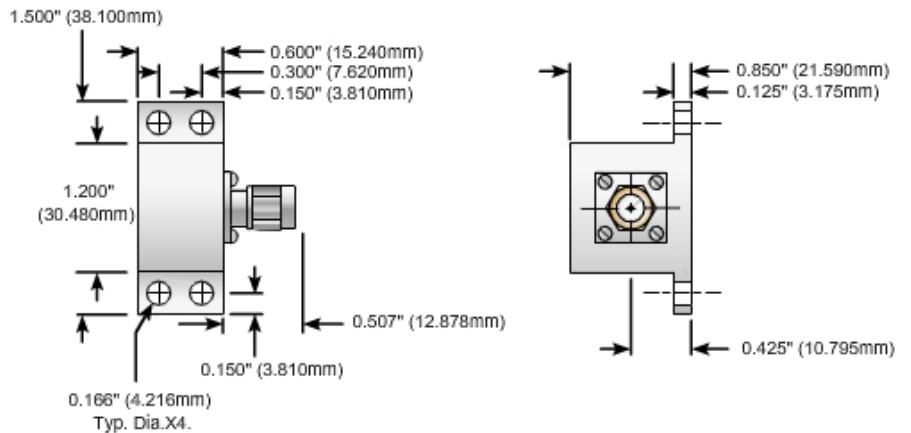
Housing:

Copper, Nickel plated.

Insulator:

PTFE, Virgin grade.

Part Dimensions



The CHT Series high power coaxial terminations are conduction cooled loads. They are designed to be mounted on a heat sink ground plane or a chill plate. The power ratings require that the base plate of the CHT-15-2 does not exceed 100°C or 85°C for all other sizes.

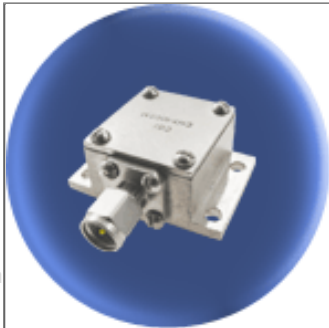


2445 Success Drive Odessa, FL 33556
727-376-6655 or 800-246-4084

Component General, Inc.

P/N: CHT- 50 SM

Coaxial Terminations



Electrical Specifications

Power:

50 W.

Frequency Range:

DC - 3.0 GHz

3.0 - 6.0 GHz

VSWR (Max.):

1.25:1

1.35:1

Impedance:

50 Ω

Mechanical Specifications

Connector:

Stainless Steel, Passivated.

Contact:

Beryllium Copper, Silver plated.

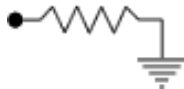
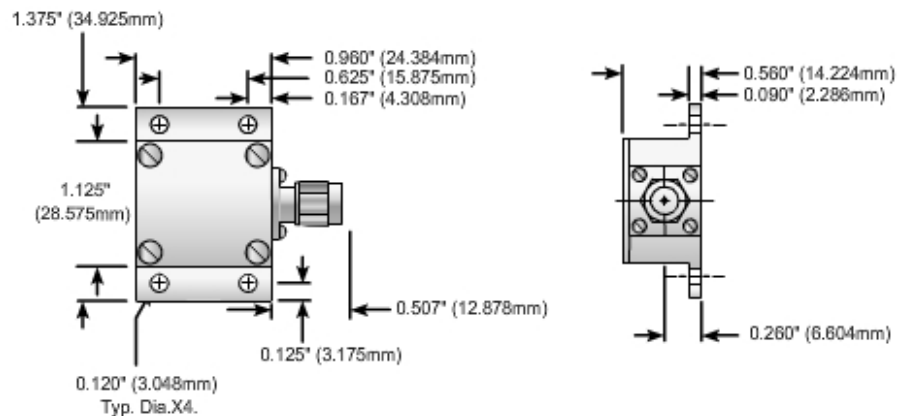
Housing:

Copper, Nickel plated.

Insulator:

PTFE, Virgin grade.

Part Dimensions



The CHT Series high power coaxial terminations are conduction cooled loads. They are designed to be mounted on a heat sink ground plane or a chill plate. The power ratings require that the base plate of the CHT-15-2 does not exceed 100°C or 85°C for all other sizes.

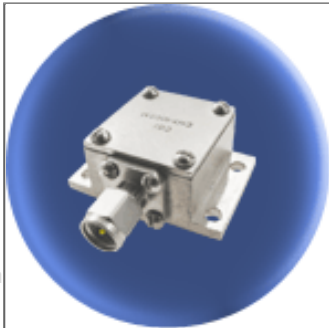


2445 Success Drive Odessa, FL 33556
727-376-6655 or 800-246-4084

Component General, Inc.

P/N: CHT- 100 SM

Coaxial Terminations



Electrical Specifications

Power:

100 W.

Frequency Range:

DC - 3.0 GHz

VSWR (Max.):

1.25:1

Impedance:

50 Ω

Mechanical Specifications

Connector:

Stainless Steel, Passivated.

Contact:

Beryllium Copper, Silver plated.

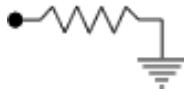
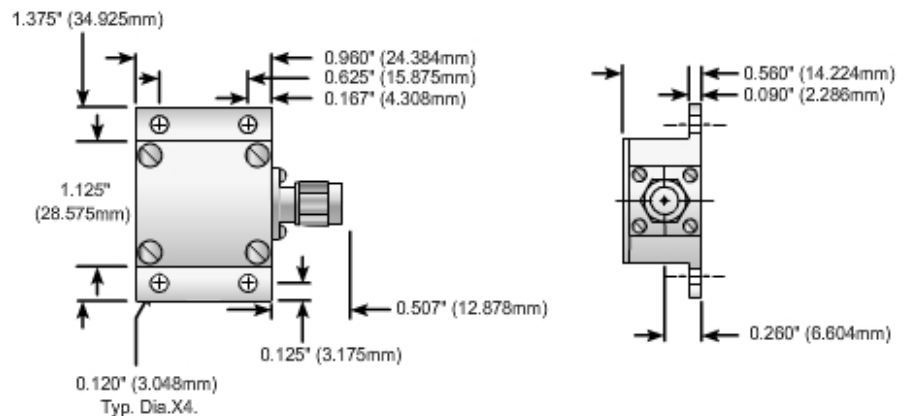
Housing:

Copper, Nickel plated.

Insulator:

PTFE, Virgin grade.

Part Dimensions



The CHT Series high power coaxial terminations are conduction cooled loads. They are designed to be mounted on a heat sink ground plane or a chill plate. The power ratings require that the base plate of the CHT-15-2 does not exceed 100°C or 85°C for all other sizes.

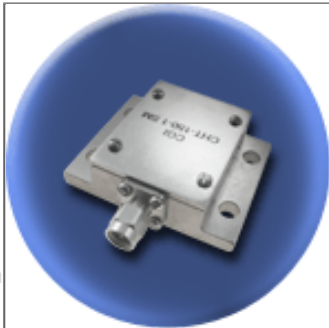


2445 Success Drive Odessa, FL 33556
727-376-6655 or 800-246-4084

Component General, Inc.

P/N: CHT- 150 SM

Coaxial Terminations



Electrical Specifications

Power:

150 W.

Frequency Range:

DC - 1.0 GHz
1.0 - 2.0 GHz

VSWR (Max.):

1.15:1
1.40:1

Impedance:

50 Ω

Mechanical Specifications

Connector:

Stainless Steel, Passivated.

Contact:

Beryllium Copper, Silver plated.

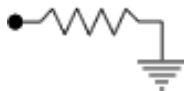
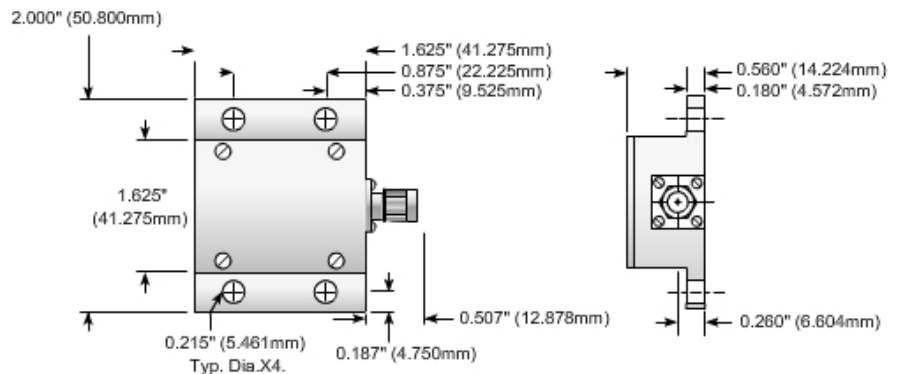
Housing:

Copper, Nickel plated.

Insulator:

PTFE, Virgin grade.

Part Dimensions



The CHT Series high power coaxial terminations are conduction cooled loads. They are designed to be mounted on a heat sink ground plane or a chill plate. The power ratings require that the base plate of the CHT-15-2 does not exceed 100°C or 85°C for all other sizes.

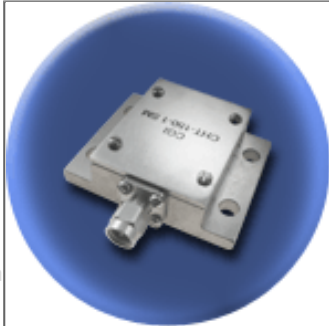


2445 Success Drive Odessa, FL 33556
727-376-6655 or 800-246-4084

Component General, Inc.

P/N: CHT- 150-1 SM

Coaxial Terminations



Electrical Specifications

Power:

150 W.

Frequency Range:

DC - 1.0 GHz
1.0 - 2.0 GHz

VSWR (Max.):

1.15:1
1.40:1

Impedance:

50 Ω

Mechanical Specifications

Connector:

Stainless Steel, Passivated.

Contact:

Beryllium Copper, Silver plated.

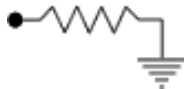
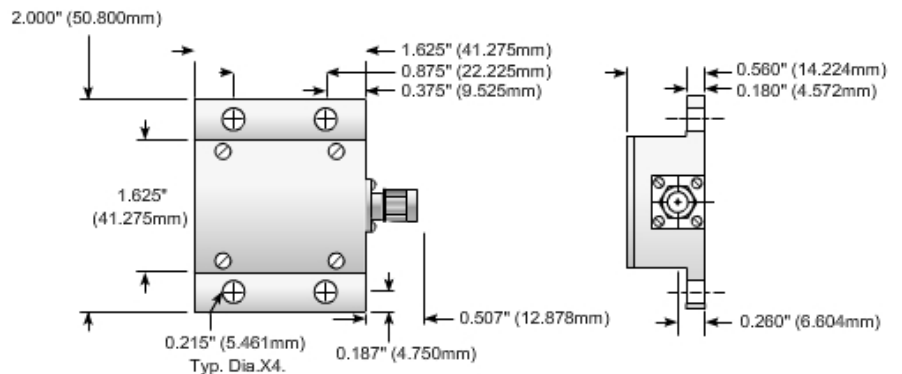
Housing:

Copper, Nickel plated.

Insulator:

PTFE, Virgin grade.

Part Dimensions



The CHT Series high power coaxial terminations are conduction cooled loads. They are designed to be mounted on a heat sink ground plane or a chill plate. The power ratings require that the base plate of the CHT-15-2 does not exceed 100°C or 85°C for all other sizes.

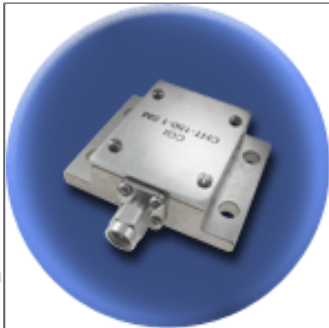


2445 Success Drive Odessa, FL 33556
727-376-6655 or 800-246-4084

Component General, Inc.

P/N: CHT- 250 SM

Coaxial Terminations



Electrical Specifications

	Frequency Range:	VSWR (Max.):
Power: 250 W.	DC - 200 MHz	1.15:1
	200 - 400 MHz	1.25:1
	400 - 800 MHz	1.30:1
Impedance: 50 Ω		

Mechanical Specifications

Connector:

Stainless Steel, Passivated.

Contact:

Beryllium Copper, Silver plated.

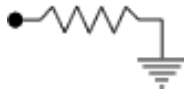
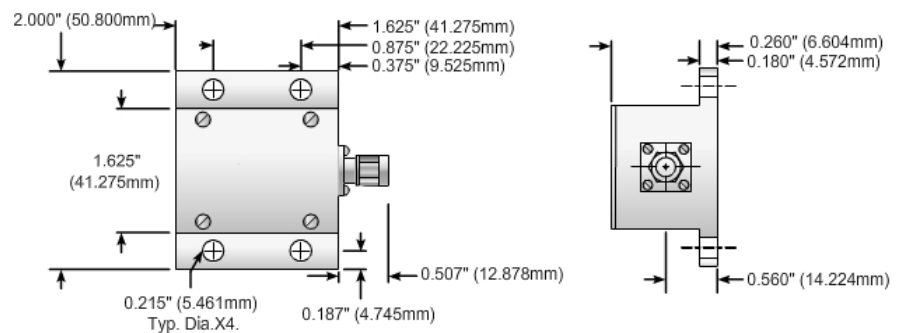
Housing:

Copper, Nickel plated.

Insulator:

PTFE, Virgin grade.

Part Dimensions



The CHT Series high power coaxial terminations are conduction cooled loads. They are designed to be mounted on a heat sink ground plane or a chill plate. The power ratings require that the base plate of the CHT-15-2 does not exceed 100°C or 85°C for all other sizes.



2445 Success Drive Odessa, FL 33556
727-376-6655 or 800-246-4084