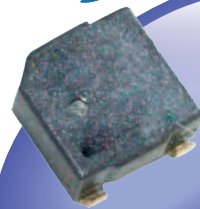
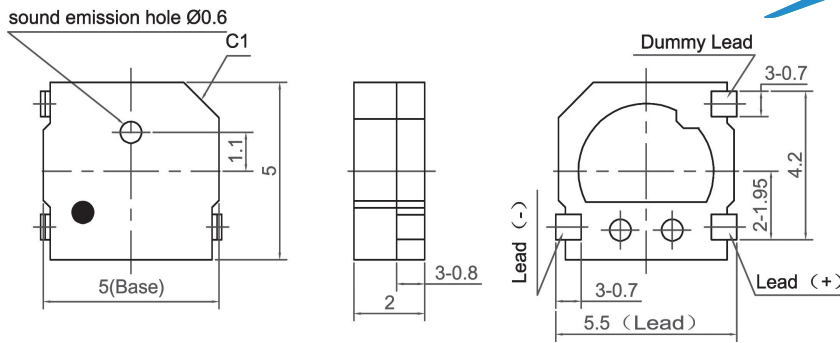
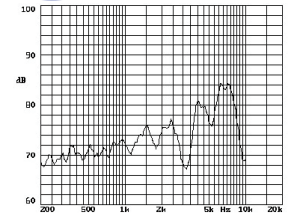


SMD Magnetic Transducer (AC)

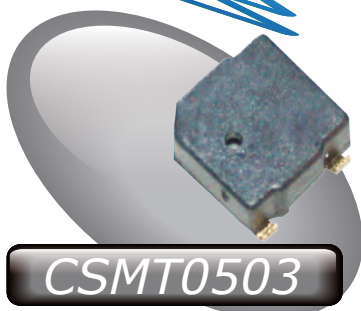


CSMT0502

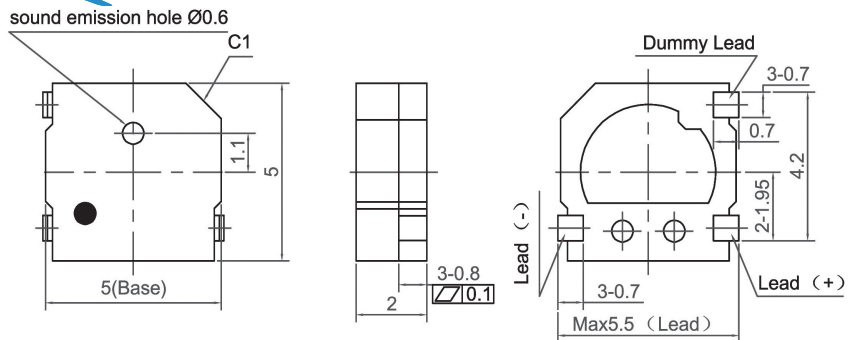
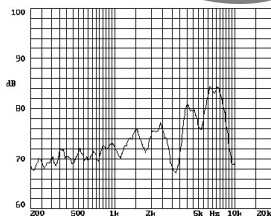


Canopus Part no.	Operating Voltage (V)	Rated Voltage (V)	Max Rated Current (mA)	Coil Resistance (Ω)	Min Sound Output (dBA)	Resonant Frequency (Hz)	Operating Temperature ($^{\circ}$ C)	Housing	Weight (g)
CSMT0502C4000L	2 ~ 4	3	100	12 \pm 2	78 at 10cm	4000	-30 ~ +70	LCP	0.12

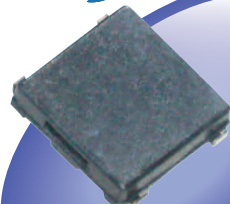
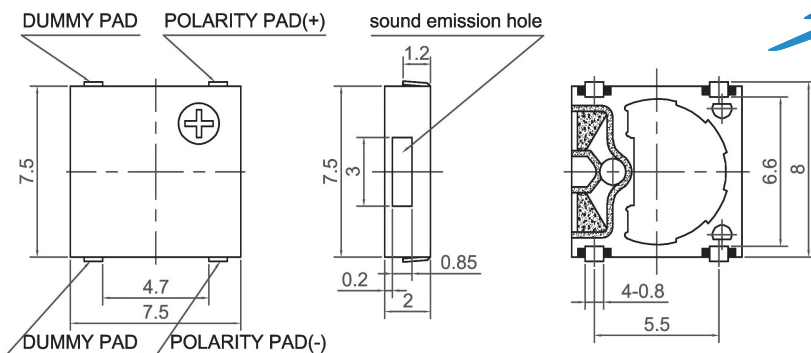
CANOPUS



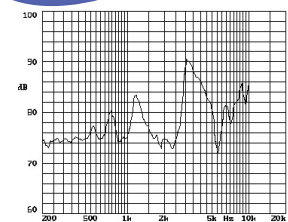
CSMT0503



Canopus Part no.	Operating Voltage (V)	Rated Voltage (V)	Max Rated Current (mA)	Coil Resistance (Ω)	Min Sound Output (dBA)	Resonant Frequency (Hz)	Operating Temperature ($^{\circ}$ C)	Housing	Weight (g)
CSMT0503C4000L	2 ~ 4	3	100	12 \pm 2	85 at 10cm	4000	-30 ~ +70	LCP	0.16



CSMT0702-S



Canopus Part no.	Operating Voltage (V)	Rated Voltage (V)	Max Rated Current (mA)	Coil Resistance (Ω)	Min Sound Output (dBA)	Resonant Frequency (Hz)	Operating Temperature ($^{\circ}$ C)	Housing	Weight (g)
CSMT0702D2700LS	2.5 ~ 4.5	3.6	100	12 \pm 2	85 at 10cm	2700	-30 ~ +70	LCP	0.33
CSMT0702D3100LS	2 ~ 5	3.6	100	12 \pm 2	85 at 10cm	3100	-30 ~ +70	LCP	0.33

Your Efficient Supplier
www.canopus.com.hk

TEL.: (852) 2806 2812

Fax: (852) 2652 2216