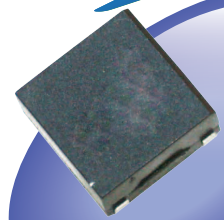
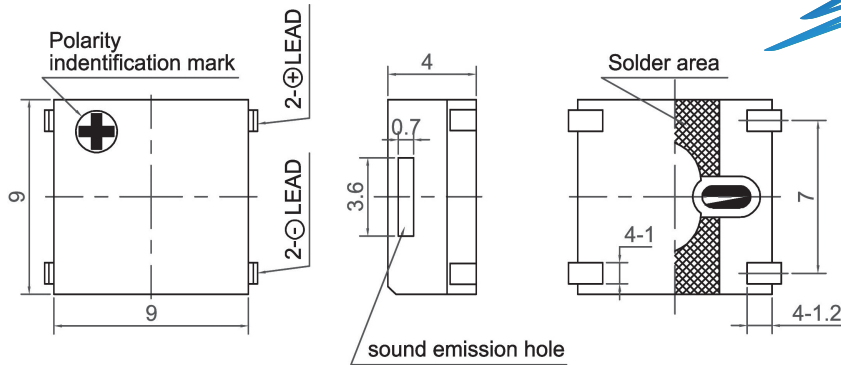
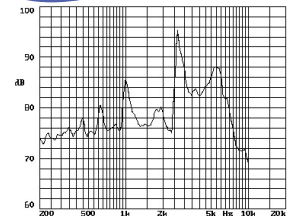


SMD Magnetic Transducer (AC)



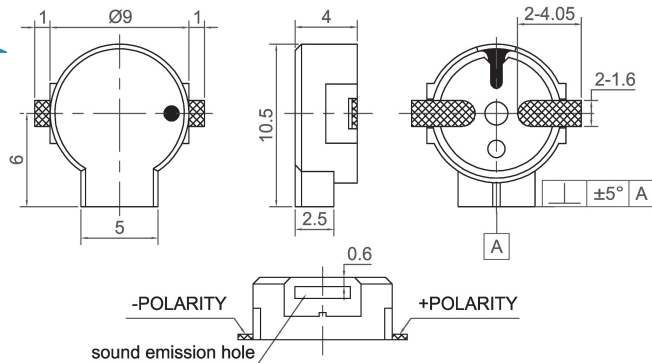
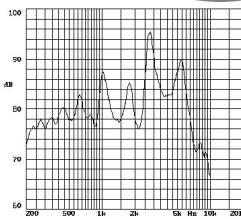
CSMT0904-S



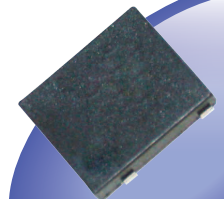
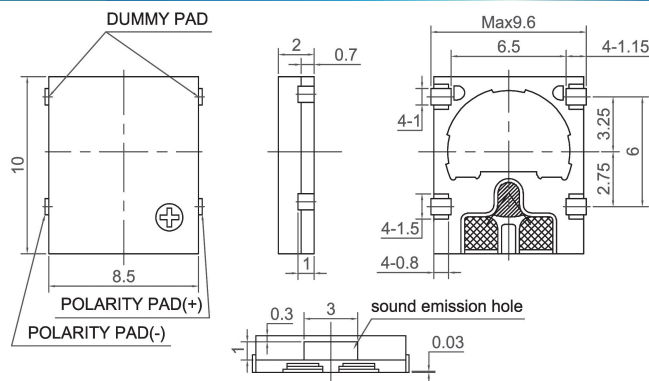
Canopus Part no.	Operating Voltage (V)	Rated Voltage (V)	Max Rated Current (mA)	Coil Resistance (Ω)	Min Sound Output (dBA)	Resonant Frequency (Hz)	Operating Temperature ($^{\circ}$ C)	Housing	Weight (g)
CSMT0904D2670LS	2.5 ~ 4.5	3.6	100	16 \pm 3	87 at 10cm	2670	-30 ~ +70	LCP	1
CSMT0904D3000LS	2.5 ~ 4.5	3.6	100	16 \pm 3	85 at 10cm	3000	-30 ~ +70	PA46	1



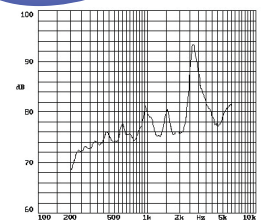
CSMT0904-X



Canopus Part no.	Operating Voltage (V)	Rated Voltage (V)	Max Rated Current (mA)	Coil Resistance (Ω)	Min Sound Output (dBA)	Resonant Frequency (Hz)	Operating Temperature ($^{\circ}$ C)	Housing	Weight (g)
CSMT0904D2731LX	2.5 ~ 4.5	3.6	90	16 \pm 3	87 at 10cm	2731	-20 ~ +60	PA46	0.7
CSMT0904D3100LX	2.5 ~ 4.5	3.6	90	16 \pm 3	87 at 10cm	3100	-30 ~ +70	PA46	0.7



CSMT1002-S



Canopus Part no.	Operating Voltage (V)	Rated Voltage (V)	Max Rated Current (mA)	Coil Resistance (Ω)	Min Sound Output (dBA)	Resonant Frequency (Hz)	Operating Temperature ($^{\circ}$ C)	Housing	Weight (g)
CSMT1002D2670LS	2 ~ 5	3.6	100	16 \pm 2.4	88 at 10cm	2670	-30 ~ +70	LCP	0.38
CSMT1002D2731LS	2 ~ 5	3.6	100	16 \pm 2.4	88 at 10cm	2731	-30 ~ +70	LCP	0.38
CSMT1002D3100LS	2 ~ 5	3.6	100	16 \pm 2.4	88 at 10cm	3100	-30 ~ +70	LCP	0.38

Your Efficient Supplier
www.canopus.com.hk

TEL.: (852) 2806 2812

Fax: (852) 2652 2216