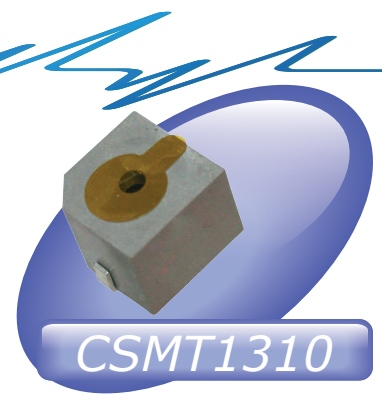
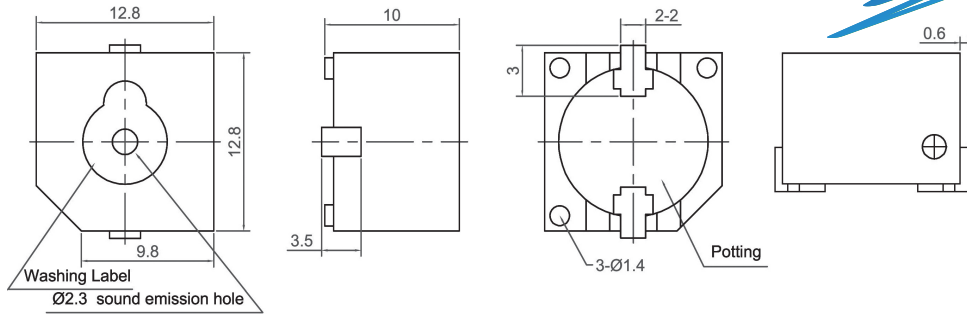
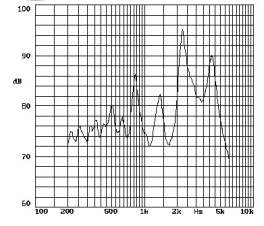


SMD Magnetic Transducer (AC)

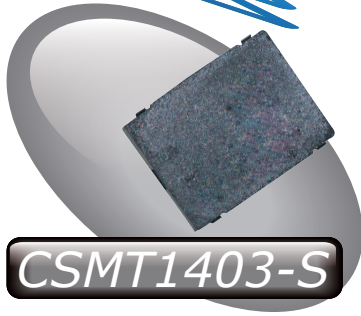


CSMT1310

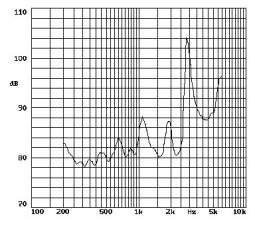
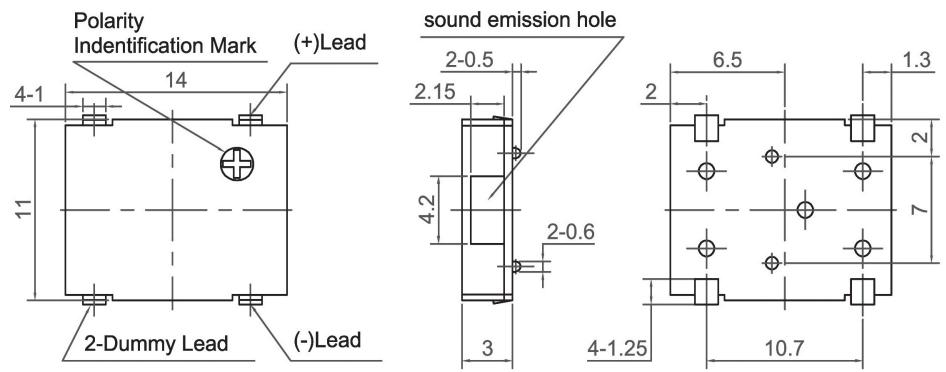
Canopus Part no.	Operating Voltage (V)	Rated Voltage (V)	Max Rated Current (mA)	Coil Resistance (Ω)	Min Sound Output (dBA)	Resonant Frequency (Hz)	Operating Temperature ($^{\circ}\text{C}$)	Housing	Weight (g)
CSMT1310A2400L	1.2 ~ 3	1.5	70	15 ± 4.5	80 at 10cm	2400	-40 ~ +85	PPS	2
CSMT1310E2400L	4 ~ 8	5	40	47 ± 5	85 at 10cm	2400	-40 ~ +85	PPS	2
CSMT1310H2400L	8 ~ 16	12	40	140 ± 14	85 at 10cm	2400	-40 ~ +85	PPS	2



CANOPUS



CSMT1403-S



Canopus Part no.	Operating Voltage (V)	Rated Voltage (V)	Max Rated Current (mA)	Coil Resistance (Ω)	Min Sound Output (dBA)	Resonant Frequency (Hz)	Operating Temperature ($^{\circ}\text{C}$)	Housing	Weight (g)
CSMT1403A2730LS	1.2 ~ 1.7	1.5	80	9 ± 2	85 at 10cm	2730	-20 ~ +70	LCP	1
CSMT1403A3200LS	1.2 ~ 1.7	1.5	80	9 ± 2	85 at 10cm	3200	-20 ~ +70	LCP	1
CSMT1403C2730LS	3 ~ 4.5	3	90	18 ± 3	87 at 10cm	2730	-20 ~ +70	LCP	1
CSMT1403C3200LS	3 ~ 4.5	3	90	18 ± 3	87 at 10cm	3200	-20 ~ +70	LCP	1
CSMT1403E2730LS	4 ~ 6	5	70	43 ± 3	87 at 10cm	2730	-20 ~ +70	LCP	1
CSMT1403E3200LS	4 ~ 6	5	70	43 ± 3	87 at 10cm	3200	-20 ~ +70	LCP	1

Your Efficient Supplier
www.canopus.com.hk

TEL.: (852) 2806 2812 Fax: (852) 2652 2216