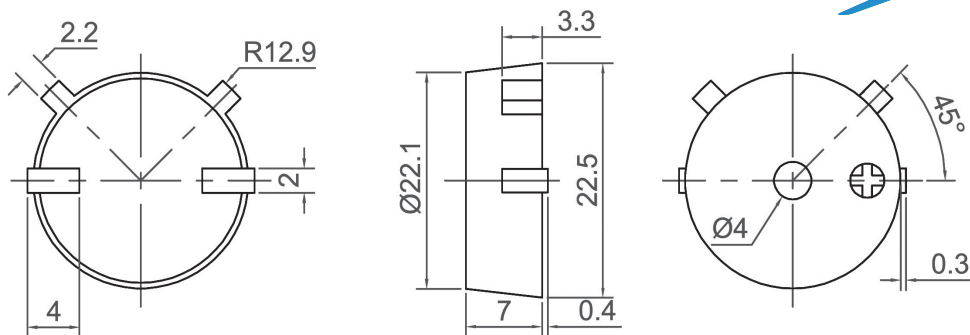
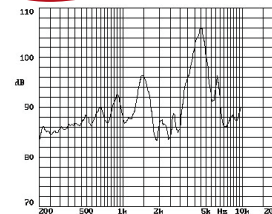


SMD External Drive Piezo Transducer (AC)



CSPT2207



Canopus Part no.	Min sound Output (dBA)	Rated Voltage (V)	Max Input Voltage (V)	Resonant Frequency (Hz)	Capacitance (pF)	Operating Temperature (°C)	Housing	Weight (g)
CSPT2207I40L	90 AT 10cm	12 Vrms	30 Vp-p	4000	15000 ± 30% at 120Hz	-20 ~ +70	PPS	2.8

CANOPUS

Your Efficient Supplier
www.canopus.com.hk

TEL.: (852) 2806 2812 Fax: (852) 2652 2216