

Features

- 80MHz RISC MCU and 80MIPS Kalimba DSP
- Internal ROM, serial flash memory and EEPROM interfaces
- Stereo codec with 2 microphone inputs
- Radio includes integrated balun
- 5-band fully configurable EQ
- CSR's latest CVC technology for narrowband and wideband voice connections including wind noise reduction
- Wideband speech supported by HFP v1.6 profile and mSBC codec
- Voice recognition support for answering a call, enables true hands-free use
- Multipoint HFP connection to 2 phones for voice
- Multipoint A2DP connection enables a headset (A2DP) connection to 2 A2DP source devices for music playback
- Secure simple pairing, CSR's proximity pairing and CSR's proximity connection
- Audio interfaces: I²S and PCM
- Serial interfaces: UART, USB 2.0 (full-speed), I²C and SPI
- aptX, SBC, MP3 and AAC decoder support
- Wired audio support (USB and analogue)
- Support for smartphone/tablet applications
- Integrated dual switch-mode regulators, linear regulators and battery charger
- External crystal load capacitors not required for typical crystals
- 3 LED outputs
- 68-ball VFBGA 5.5 x 5.5 x 1mm 0.5mm pitch
- Green (RoHS compliant and no antimony or halogenated flame retardants)

General Description

BlueCore[®] CSR8645™ BGA is a product from CSR's Connectivity Centre. It is a single-chip radio and baseband IC for Bluetooth 2.4GHz systems including basic rate, EDR to 3Mbps and Bluetooth low energy.

The integrated peripherals reduce the number of external components required, including no requirement for external codec, battery charger, SMPS, LDOs, balun or external program memory, ensuring minimum production costs.

The battery charger architecture enables the CSR8645 BGA to independently operate from the charger supply, ensuring dependable operation for all battery conditions.

BlueCore[®] CSR8645™ BGA

CSR8645 Stereo ROM Solution with aptX™

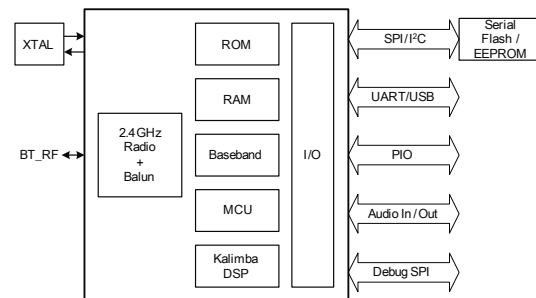
2-mic CVC Audio Enhancement

Fully Qualified Single-chip Bluetooth[®] v4.0 System

Production Information

CSR8645A04

Issue 6



Applications

- Stereo headsets
- Wired stereo headsets and headphones
- Portable stereo speakers

The enhanced Kalimba DSP coprocessor with 80MIPS supports enhanced audio and DSP applications.

The integrated audio codec supports 2 channels of ADC, 2 digital microphone inputs and stereo output, as well as a variety of audio standards.

See *CSR Glossary* at www.csrsupport.com.

Ordering Information

Device	Package			Order Number
	Type	Size	Shipment Method	
CSR8645 Stereo ROM Solution with aptX	VFPGA-68-ball (Pb free)	5.5 x 5.5 x 1mm 0.5mm pitch	Tape and reel	CSR8645A04-IBBC-R

Note:

CSR8645 BGA is a ROM-based device where the product code has the form CSR8645Axx. Axx is the specific ROM-variant, A04 is the ROM-variant for CSR8645 Stereo ROM Solution with aptX.

Minimum order quantity is 2kpcs taped and reeled.

Supply chain: CSR's manufacturing policy is to multisource volume products. For further details, contact your local sales account manager or representative.

Contacts

General information	www.csr.com
Information on this product	Sales@csr.com
Customer support for this product	www.csrsupport.com
Details of compliance and standards	Product.compliance@csr.com
Help with this document	Comments@csr.com

CSR8645 Stereo ROM Solution with aptX Development Kit Ordering Information

Description	Order Number
CSR8645 Stereo ROM Solution with aptX Audio Development Kit	DK-8645-10064-1A

Device Details

Bluetooth low energy

- Dual-mode Bluetooth low energy radio
- Support for Bluetooth basic rate / EDR and low energy connections
- 3 Bluetooth low energy connections at the same time as basic rate A2DP

Bluetooth Radio

- On-chip balun (50Ω impedance)
- No production trimming of external components
- Bluetooth v4.0 specification compliant

Bluetooth Transmitter

- 9dBm (typical) RF transmit power with level control
- Class 1, Class 2 and Class 3 support, no external PA or TX/RX switch required

Bluetooth Receiver

- -92dBm (typical) $\pi/4$ DQPSK receiver sensitivity and -82dBm (typical) 8DPSK receiver sensitivity
- Integrated channel filters
- Digital demodulator for improved sensitivity and co-channel rejection
- Real-time digitised RSSI available to application
- Fast AGC for enhanced dynamic range
- Channel classification for AFH

Bluetooth Synthesiser

- Fully integrated synthesiser requires no external VCO, varactor diode, resonator or loop filter
- Compatible with crystals 16MHz to 32MHz

Kalimba DSP

- Enhanced Kalimba DSP coprocessor, 80MIPS, 24-bit fixed point core
- 2 single-cycle MACs; 24 x 24-bit multiply and 56-bit accumulator
- 32-bit instruction word, dual 24-bit data memory
- 6K x 32-bit program RAM including 1K instruction cache for executing out of internal ROM
- 16K x 24-bit + 16K x 24-bit 2-bank data RAM

Audio Interfaces

- Audio codec with 2 high-quality dedicated ADCs
- Microphone bias generator and up to 2 analogue microphone inputs
- 2 digital microphone inputs (MEMS)
- Enhanced side-tone gain control
- Supported sample rates of 8, 11.025, 16, 22.05, 32, 44.1, 48 and 96kHz (DAC only)

Auxiliary Features

- Crystal oscillator with built-in digital trimming

Package Option

- 68-ball VFBGA 5.5 x 5.5 x 1mm 0.5mm pitch

Physical Interfaces

- UART interface for debug
- USB 2.0 (full-speed) interface for audio and charger enumeration
- 1-bit SPI flash memory interface
- SPI interface for debug and programming
- I²C interface for EEPROM
- Up to 22 general purpose PIOs with 3 extra open-drain PIOs available when LED not used
- PCM and I²S interfaces
- 3 LED drivers (includes RGB) with PWM flasher independent of MCU

Integrated Power Control and Regulation

- Automatic power switching to charger when present
- 2 high-efficiency switch-mode regulators with 1.8V and 1.35V outputs direct from battery supply
- 3.3V linear regulator for USB supply
- Low-voltage linear regulator for internal digital circuits
- Low-voltage linear regulator for internal analogue circuits
- Power-on-reset detects low supply voltage
- Power management includes digital shutdown and wake-up commands for ultra-low power modes

Battery Charger

- Lithium ion / Lithium polymer battery charger
- Instant-on function automatically selects the power supply between battery and USB, which enables operation even if the battery is fully discharged
- Fast charging support up to 200mA with no external components
- Higher charge currents using external pass device
- Supports USB charger detection
- Support for thermistor protection of battery pack
- Support to enable end product design to PSE law:
 - Design to JIS-C 8712/8714 (batteries)
 - Testing based on IEEE 1725

Baseband and Software

- Internal ROM
- Memory protection unit supporting accelerated VM
- 56KB internal RAM, enables full-speed data transfer, mixed voice/data and full piconet support
- Logic for forward error correction, header error control, access code correlation, CRC, demodulation, encryption bit stream generation, whitening and transmit pulse shaping
- Transcoders for A-law, μ -law and linear voice from host and A-law, μ -law and CVSD voice over air

CSR8645 Stereo ROM Solution with aptX Details

Bluetooth Profiles

- Bluetooth v4.0 specification support
- HFP v1.6 wideband speech (HD voice ready)
- HSP v1.2
- A2DP v1.2
- AVRCP v1.4
- Support for smartphone applications (apps)

Improved Audio Quality

CSR's latest 2-mic CVC audio enhancements for narrowband and wideband connections including:

- 2-mic far-end audio enhancements
- Near-end audio enhancements (noise suppression and AEQ)
- Wind noise reduction
- Packet loss concealment
- Bit error concealment
- Automatic gain control and automatic volume control
- Frequency expansion for improved speech intelligibility
- mSBC codec support for wideband speech

Music Enhancements

- Configurable 5-band EQ for music playback (rock, pop, classical, jazz, dance etc)
- aptX, SBC, MP3, AAC and Faststream decoder
- Stereo widening (S3D)
- Volume Boost

Additional Functionality

- Support for voice recognition
- Support for multi-language programmable audio prompts
- CSR's proximity pairing and CSR's proximity connection
- Multipoint support for HFP connection to 2 handsets for voice
- Multipoint support for A2DP connection to 2 A2DP sources for music playback
- Talk-time extension

CSR8600 ROM Series Configuration Tool

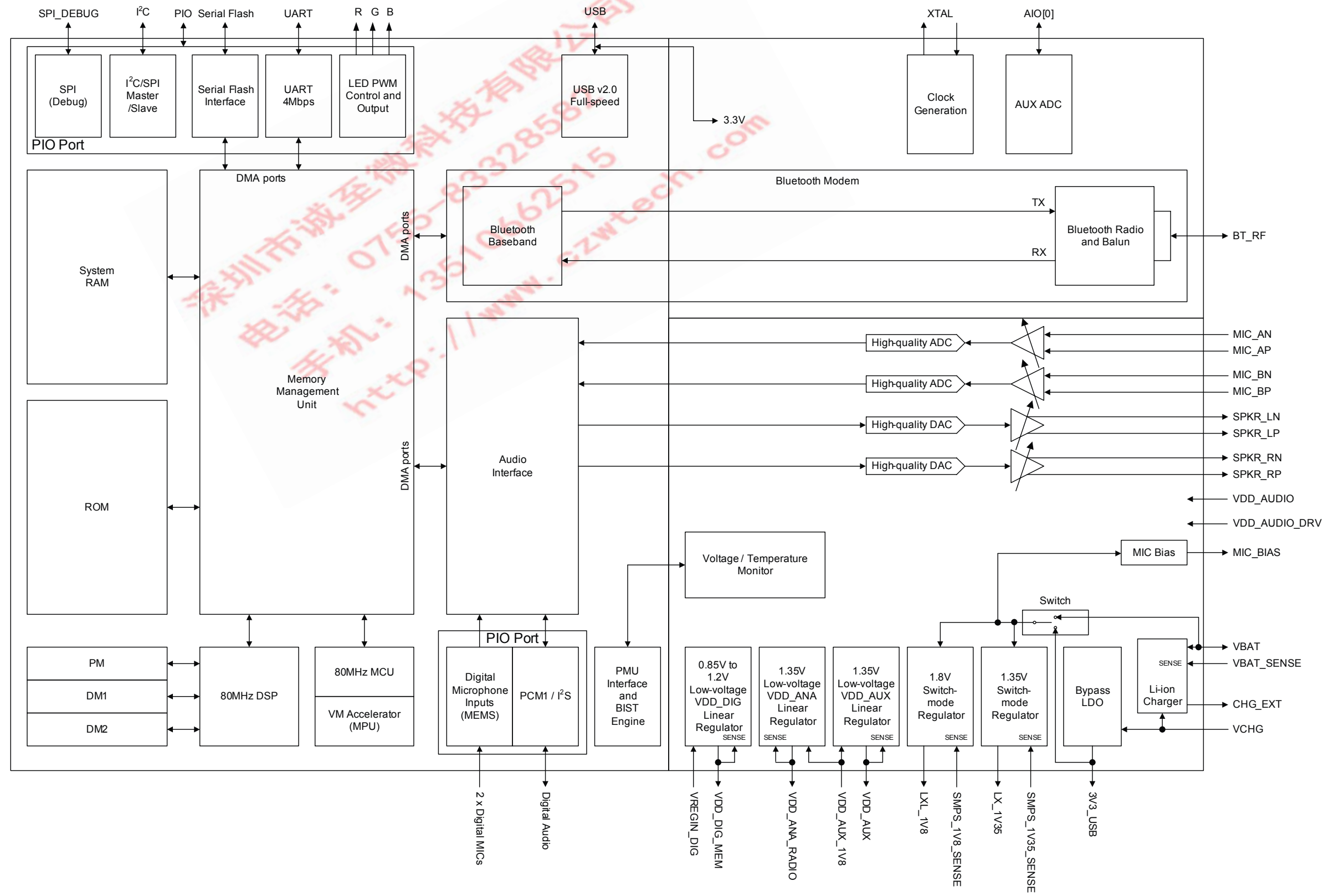
Configures the CSR8645 stereo ROM solution with aptX software features:

- Bluetooth v4.0 specification features
- Reconnection policies, e.g. reconnect on power-on
- Audio features, including default volumes
- Button events: configuring button presses and durations for certain events, e.g. double press on PIO for last number redial
- LED indications for states, e.g. headset connected, and events, power on etc.
- Indication tones for events and ringtones
- HFP v1.6 supported features
- Battery divider ratios and thresholds, e.g. thresholds for battery low indication, full battery etc.
- Advanced Multipoint settings

CSR8645 Stereo ROM Solution with aptX Development Kit

- CSR8645 stereo ROM solution with aptX demonstrator board (DB-8645-10067-1A)
- Interface adapters and cables are available
- Works in conjunction with the CSR8600 ROM Series Configuration Tool and other supporting utilities

Functional Block Diagram



Document History

Revision	Date	Change Reason
1	24 AUG 11	Internal publication of this document.
2	13 SEP 11	Original publication of this document.
3	28 SEP 11	Editorial updates.
4	17 JAN 12	Bluetooth v4.0 specification added. Pre-production status. Power consumption figures added. Package Dimensions updated and pin configuration drawing removed. Editorial updates.
5	02 FEB 12	Internal release.
6	06 FEB 12	Production Information added. If you have any comments about this document, email comments@csr.com giving number, title and section with your feedback.

深圳市诚志微电子技术有限公司
 电话: 0755-83328582
 手机: 13510662515
<http://www.czwtech.com>

Status Information

The status of this Data Sheet is **Production Information**.

CSR Product Data Sheets progress according to the following format:

Advance Information

Information for designers concerning CSR product in development. All values specified are the target values of the design. Minimum and maximum values specified are only given as guidance to the final specification limits and must not be considered as the final values.

All detailed specifications including pinouts and electrical specifications may be changed by CSR without notice.

Pre-production Information

Pinout and mechanical dimension specifications finalised. All values specified are the target values of the design. Minimum and maximum values specified are only given as guidance to the final specification limits and must not be considered as the final values.

All electrical specifications may be changed by CSR without notice.

Production Information

Final Data Sheet including the guaranteed minimum and maximum limits for the electrical specifications.

Production Data Sheets supersede all previous document versions.

Life Support Policy and Use in Safety-critical Applications

CSR's products are not authorised for use in life-support or safety-critical applications. Use in such applications is done at the sole discretion of the customer. CSR will not warrant the use of its devices in such applications.

CSR Green Semiconductor Products and RoHS Compliance

CSR8645 BGA devices meet the requirements of Directive 2002/95/EC of the European Parliament and of the Council on the Restriction of Hazardous Substance (RoHS).

CSR8645 BGA devices are also free from halogenated or antimony trioxide-based flame retardants and other hazardous chemicals. For more information, see CSR's *Environmental Compliance Statement for CSR Green Semiconductor Products*.

Trademarks, Patents and Licences

Unless otherwise stated, words and logos marked with [™] or [®] are trademarks registered or owned by CSR plc or its affiliates. Bluetooth [®] and the Bluetooth [®] logos are trademarks owned by Bluetooth [®] SIG, Inc. and licensed to CSR. Other products, services and names used in this document may have been trademarked by their respective owners.

The publication of this information does not imply that any license is granted under any patent or other rights owned by CSR plc and/or its affiliates.

CSR reserves the right to make technical changes to its products as part of its development programme.

While every care has been taken to ensure the accuracy of the contents of this document, CSR cannot accept responsibility for any errors.

Refer to www.csrsupport.com for compliance and conformance to standards information.



Contents

Ordering Information	2
Contacts	2
CSR8645 Stereo ROM Solution with aptX Development Kit Ordering Information	2
Device Details	3
CSR8645 Stereo ROM Solution with aptX Details	4
Functional Block Diagram	5
1 Package Information	14
1.1 Pinout Diagram	14
1.2 Device Terminal Functions	15
1.3 Package Dimensions	21
1.4 PCB Design and Assembly Considerations	22
1.5 Typical Solder Reflow Profile	22
2 Bluetooth Modem	23
2.1 RF Ports	23
2.1.1 BT_RF	23
2.2 RF Receiver	23
2.2.1 Low Noise Amplifier	23
2.2.2 RSSI Analogue to Digital Converter	23
2.3 RF Transmitter	24
2.3.1 IQ Modulator	24
2.3.2 Power Amplifier	24
2.4 Bluetooth Radio Synthesiser	24
2.5 Baseband	24
2.5.1 Burst Mode Controller	24
2.5.2 Physical Layer Hardware Engine	24
3 Clock Generation	25
3.1 Clock Architecture	25
3.2 Input Frequencies and PS Key Settings	25
3.3 Crystal Oscillator: XTAL_IN and XTAL_OUT	25
3.3.1 Crystal Calibration	25
4 Bluetooth Stack Microcontroller	27
4.1 VM Accelerator	27
5 Kalimba DSP	28
6 Memory Interface and Management	29
6.1 Memory Management Unit	29
6.2 System RAM	29
6.3 Kalimba DSP RAM	29
6.4 Internal ROM	29
6.5 Serial Flash Interface	29
7 Serial Interfaces	30
7.1 USB Interface	30
7.2 UART Interface	30
7.3 Programming and Debug Interface	32
7.3.1 Multi-slave Operation	32

7.4	I ² C EEPROM Interface	33
8	Interfaces	34
8.1	Programmable I/O Ports, PIO	34
8.2	Analogue I/O Ports, AIO	34
8.3	LED Drivers	35
9	Audio Interface	36
9.1	Audio Input and Output	37
9.2	Audio Codec Interface	37
9.2.1	Audio Codec Block Diagram	38
9.2.2	ADC	38
9.2.3	ADC Sample Rate Selection	38
9.2.4	ADC Audio Input Gain	39
9.2.5	ADC Pre-amplifier and ADC Analogue Gain	39
9.2.6	ADC Digital Gain	39
9.2.7	ADC Digital IIR Filter	40
9.2.8	DAC	40
9.2.9	DAC Sample Rate Selection	40
9.2.10	DAC Digital Gain	40
9.2.11	DAC Analogue Gain	41
9.2.12	DAC Digital FIR Filter	41
9.2.13	Microphone Input	42
9.2.14	Digital Microphone Inputs	43
9.2.15	Line Input	43
9.2.16	Output Stage	44
9.2.17	Mono Operation	44
9.2.18	Side Tone	44
9.2.19	Integrated Digital IIR Filter	46
9.3	PCM1 Interface	47
9.3.1	PCM Interface Master/Slave	48
9.3.2	Long Frame Sync	48
9.3.3	Short Frame Sync	49
9.3.4	Multi-slot Operation	49
9.3.5	GCI Interface	50
9.3.6	Slots and Sample Formats	50
9.3.7	Additional Features	51
9.3.8	PCM Timing Information	52
9.3.9	PCM_CLK and PCM_SYNC Generation	55
9.3.10	PCM Configuration	56
9.4	Digital Audio Interface (I ² S)	56
10	Power Control and Regulation	60
10.1	1.8V Switch-mode Regulator	63
10.2	1.35V Switch-mode Regulator	63
10.3	1.8V and 1.35V Switch-mode Regulators Combined	64
10.4	Bypass LDO Linear Regulator	65
10.5	Low-voltage VDD_DIG Linear Regulator	66
10.6	Low-voltage VDD_AUX Linear Regulator	66
10.7	Low-voltage VDD_ANA Linear Regulator	66



10.8	Voltage Regulator Enable	66
10.9	External Regulators and Power Sequencing	66
10.10	Reset, RST#	67
10.10.1	Digital Pin States on Reset	67
10.10.2	Status After Reset	68
10.11	Automatic Reset Protection	68
11	Battery Charger	69
11.1	Battery Charger Hardware Operating Modes	69
11.1.1	Disabled Mode	70
11.1.2	Trickle Charge Mode	70
11.1.3	Fast Charge Mode	70
11.1.4	Standby Mode	70
11.1.5	Error Mode	71
11.2	Battery Charger Trimming and Calibration	71
11.3	VM Battery Charger Control	71
11.4	Battery Charger Firmware and PS Keys	71
11.5	External Mode	71
12	Example Application Schematic	73
13	Example Application Using Different Power Supply Configurations	74
14	Electrical Characteristics	77
14.1	Absolute Maximum Ratings	77
14.2	Recommended Operating Conditions	78
14.3	Input/Output Terminal Characteristics	79
14.3.1	Regulators: Available For External Use	79
14.3.2	Regulators: For Internal Use Only	81
14.3.3	Regulator Enable	82
14.3.4	Battery Charger	82
14.3.5	USB	84
14.3.6	Clocks	84
14.3.7	Stereo Codec: Analogue to Digital Converter	85
14.3.8	Stereo Codec: Digital to Analogue Converter	86
14.3.9	Digital	87
14.3.10	LED Driver Pads	88
14.3.11	Auxiliary ADC	88
14.3.12	Auxiliary DAC	89
14.4	ESD Protection	90
14.4.1	USB Electrostatic Discharge Immunity	90
15	Power Consumption	92
16	CSR Green Semiconductor Products and RoHS Compliance	95
17	Software	97
17.1	CSR8645 Stereo ROM Solution with aptX	97
17.1.1	Advanced Multipoint Support	98
17.1.2	A2DP Multipoint Support	98
17.1.3	Wired Audio Mode	98
17.1.4	USB Modes Including USB Audio Mode	99
17.1.5	Smartphone Applications (Apps)	99
17.1.6	Programmable Audio Prompts	99

17.1.7	CSR's Intelligent Power Management	100
17.1.8	Proximity Pairing	101
17.1.9	Proximity Connection	101
17.2	6 th Generation 2-mic CVC Audio Enhancements	101
17.2.1	Wind Noise Reduction	102
17.2.2	Dual-microphone Signal Separation	102
17.2.3	Noise Suppression	102
17.2.4	Acoustic Echo Cancellation	103
17.2.5	Comfort Noise Generator	103
17.2.6	Equalisation	103
17.2.7	Automatic Gain Control	103
17.2.8	Packet Loss Concealment	103
17.2.9	Adaptive Equalisation	103
17.2.10	Auxiliary Stream Mix	104
17.2.11	Clipper	104
17.2.12	Noise Dependent Volume Control	104
17.2.13	Fixed Gains	104
17.2.14	Frequency Enhanced Speech Intelligibility	104
17.3	Music Enhancements	104
17.3.1	Audio Decoders	104
17.3.2	aptX Decoder	104
17.3.3	Configurable EQ	105
17.3.4	Stereo Widening (S3D)	105
17.3.5	Volume Boost	106
17.4	CSR8645 Stereo ROM Solution with aptX Development Kit	106
18	Tape and Reel Information	107
18.1	Tape Orientation	107
18.2	Tape Dimensions	107
18.3	Reel Information	108
18.4	Moisture Sensitivity Level	108
19	Document References	109
	Terms and Definitions	110

List of Figures

Figure 1.1	Device Pinout	14
Figure 2.1	Simplified Circuit BT_RF	23
Figure 3.1	Clock Architecture	25
Figure 5.1	Kalimba DSP Interface to Internal Functions	28
Figure 6.1	Serial Flash Interface	29
Figure 7.1	Universal Asynchronous Receiver	31
Figure 7.2	Example I ² C EEPROM Connection	33
Figure 8.1	LED Equivalent Circuit	35
Figure 9.1	Audio Interface	36
Figure 9.2	Audio Codec Input and Output Stages	38
Figure 9.3	Audio Input Gain	39
Figure 9.4	Microphone Biasing	42

Figure 9.5	Differential Input	43
Figure 9.6	Single-ended Input	43
Figure 9.7	Speaker Output	44
Figure 9.8	Side Tone	45
Figure 9.9	PCM Interface Master	48
Figure 9.10	PCM Interface Slave	48
Figure 9.11	Long Frame Sync (Shown with 8-bit Companded Sample)	49
Figure 9.12	Short Frame Sync (Shown with 16-bit Sample)	49
Figure 9.13	Multi-slot Operation with 2 Slots and 8-bit Companded Samples	50
Figure 9.14	GCI Interface	50
Figure 9.15	16-bit Slot Length and Sample Formats	51
Figure 9.16	PCM Master Timing Long Frame Sync	53
Figure 9.17	PCM Master Timing Short Frame Sync	53
Figure 9.18	PCM Slave Timing Long Frame Sync	55
Figure 9.19	PCM Slave Timing Short Frame Sync	55
Figure 9.20	Digital Audio Interface Modes	57
Figure 9.21	Digital Audio Interface Slave Timing	58
Figure 9.22	Digital Audio Interface Master Timing	59
Figure 10.1	1.80V and 1.35V Dual-supply Switch-mode System Configuration	61
Figure 10.2	1.80V Parallel-supply Switch-mode System Configuration	62
Figure 10.3	1.8V Switch-mode Regulator Output Configuration	63
Figure 10.4	1.35V Switch-mode Regulator Output Configuration	64
Figure 10.5	1.8V and 1.35V Switch-mode Regulators Outputs Parallel Configuration	65
Figure 11.1	Battery Charger Mode-to-Mode Transition Diagram	70
Figure 11.2	Battery Charger External Mode Typical Configuration	72
Figure 13.1	External 1.8V Supply Example Application	74
Figure 13.2	External 3.3V Supply Example Application	75
Figure 13.3	USB Audio Dongle Example Application	76
Figure 17.1	Programmable Audio Prompts in External SPI Flash	100
Figure 17.2	Programmable Audio Prompts in External I ² C EEPROM	100
Figure 17.3	2-mic CVC Block Diagram	102
Figure 17.4	Configurable EQ GUI with Drag Points	105
Figure 17.5	Volume Boost GUI with Drag Points	106
Figure 18.1	Tape Orientation	107
Figure 18.2	Tape Dimensions	107
Figure 18.3	Reel Dimensions	108

List of Tables

Table 7.1	PS Keys for UART/PIO Multiplexing	30
Table 7.2	Possible UART Settings	31
Table 7.3	Standard Baud Rates	32
Table 8.1	Alternative PIO Functions	34
Table 9.1	Alternative Functions of the Digital Audio Bus Interface on the PCM1 Interface	36
Table 9.2	ADC Audio Input Gain Rate	40
Table 9.3	DAC Digital Gain Rate Selection	41
Table 9.4	DAC Analogue Gain Rate Selection	41

Table 9.5	Side Tone Gain	45
Table 9.6	PCM Master Timing	52
Table 9.7	PCM Slave Timing	54
Table 9.8	Alternative Functions of the Digital Audio Bus Interface on the PCM Interface	56
Table 9.9	Digital Audio Interface Slave Timing	57
Table 9.10	I ² S Slave Mode Timing	58
Table 9.11	Digital Audio Interface Master Timing	59
Table 9.12	I ² S Master Mode Timing Parameters, WS and SCK as Outputs	59
Table 10.1	Recommended Configurations for Power Control and Regulation	60
Table 10.2	Pin States on Reset	67
Table 11.1	Battery Charger Operating Modes Determined by Battery Voltage and Current	69
Table 14.1	ESD Handling Ratings	90
Table 14.2	USB Electrostatic Discharge Protection Level	91
Table 16.1	Chemical Limits for Green Semiconductor Products	95

List of Equations

Equation 3.1	Crystal Calibration Using PSKEY_ANA_FTRIM_OFFSET	26
Equation 3.2	Example of PSKEY_ANA_FTRIM_OFFSET Value for 2402.0168MHz	26
Equation 3.3	Example of PSKEY_ANA_FTRIM_OFFSET Value for 2401.9832MHz	26
Equation 7.1	Baud Rate	31
Equation 8.1	LED Current	35
Equation 8.2	LED PAD Voltage	35
Equation 9.1	IIR Filter Transfer Function, H(z)	47
Equation 9.2	IIR Filter Plus DC Blocking Transfer Function, H _{DC} (z)	47
Equation 9.3	PCM_CLK Frequency Generated Using the Internal 48MHz Clock	56
Equation 9.4	PCM_SYNC Frequency Relative to PCM_CLK	56

1 Package Information

1.1 Pinout Diagram

Orientation from Top of Device

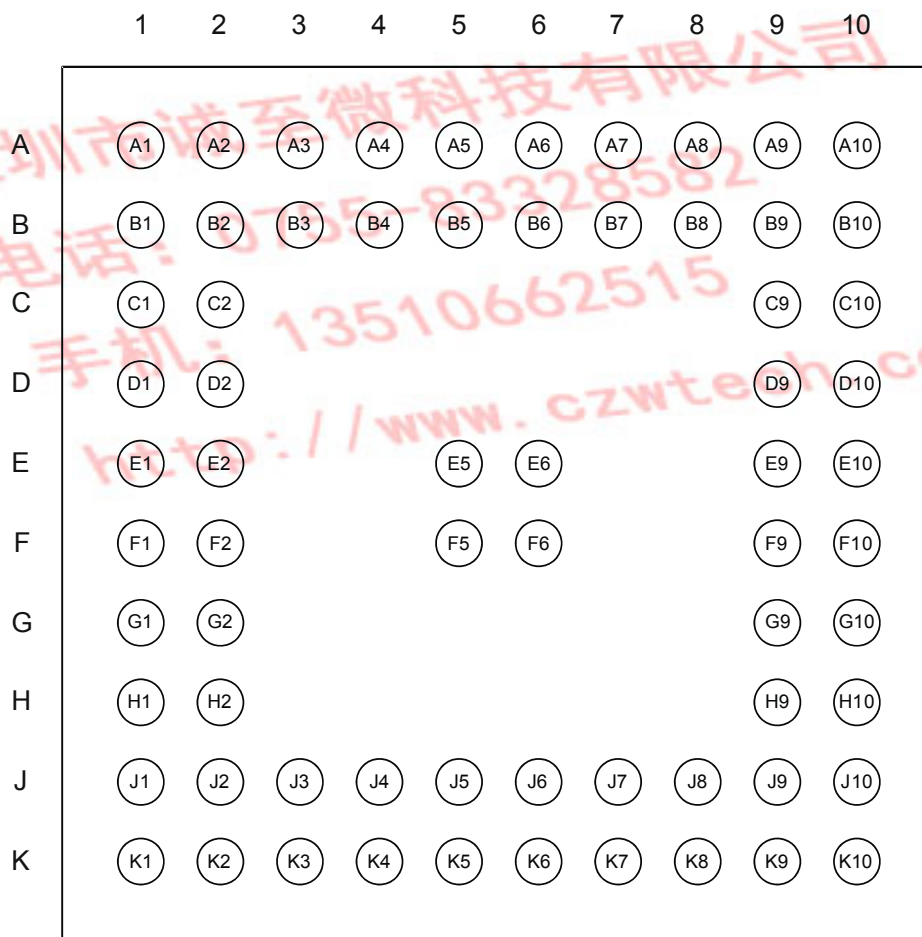


Figure 1.1: Device Pinout

1.2 Device Terminal Functions

Radio	Ball	Pad Type	Supply Domain	Description
BT_RF	A3	RF	VDD_ANA_RADIO	Bluetooth 50Ω transmitter output / receiver input

Oscillator	Ball	Pad Type	Supply Domain	Description
XTAL_IN	C1	Analogue	VDD_AUX	For crystal or external clock input
XTAL_OUT	B1			Drive for crystal

USB	Ball	Pad Type	Supply Domain	Description
USB_P	H10	Bidirectional	3V3_USB	USB data plus with selectable internal 1.5kΩ pull-up resistor
USB_N	J10			USB data minus

SPI/PCM Interface	Ball	Pad Type	Supply Domain	Description
SPI_PCM#	J4	Input with weak pull-down	VDD_PADS_1	SPI/PCM# select input: <ul style="list-style-type: none"> ■ 0 = PCM/PIO interface ■ 1 = SPI

Note:

SPI and PCM1 interfaces are mapped as alternative functions on the PIO port.

PIO Port	Ball	Pad Type	Supply Domain	Description
PIO[21]	D10	Bidirectional with weak pull-down	VDD_PADS_2	Programmable input / output line 21.
PIO[20]	C10	Bidirectional with weak pull-down	VDD_PADS_2	Programmable input / output line 20.
PIO[19]	C9	Bidirectional with weak pull-down	VDD_PADS_2	Programmable input / output line 19.
PIO[18]	D9	Bidirectional with weak pull-down	VDD_PADS_2	Programmable input / output line 18.
PIO[17]	H2	Bidirectional with strong pull-down	VDD_PADS_1	Programmable input / output line 17. Alternative function: <ul style="list-style-type: none"> ■ UART_CTS: UART clear to send, active low

PIO Port	Ball	Pad Type	Supply Domain	Description
PIO[16]	F1	Bidirectional with strong pull-up	VDD_PADS_1	Programmable input / output line 16. Alternative function: <ul style="list-style-type: none"> UART_RTS: UART request to send, active low
PIO[15]	D1	Bidirectional with strong pull-up	VDD_PADS_1	Programmable input / output line 15. Alternative function: <ul style="list-style-type: none"> UART_TX: UART data output
PIO[14]	F2	Bidirectional with strong pull-up	VDD_PADS_1	Programmable input / output line 14. Alternative function: <ul style="list-style-type: none"> UART_RX: UART data input
PIO[13]	G1	Bidirectional with strong pull-down	VDD_PADS_1	Programmable input / output line 13. Alternative function: <ul style="list-style-type: none"> QSPI_IO[1]: SPI flash data bit 1
PIO[12]	E2	Bidirectional with strong pull-up	VDD_PADS_1	Programmable input / output line 12. Alternative function: <ul style="list-style-type: none"> QSPI_FLASH_CS#: SPI flash chip select I2C_WP: I²C bus memory write protect line
PIO[11]	G2	Bidirectional with strong pull-down	VDD_PADS_1	Programmable input / output line 11. Alternative function: <ul style="list-style-type: none"> QSPI_IO[0]: SPI flash data bit 0 I2C_SDA: I²C serial data line
PIO[10]	F5	Bidirectional with strong pull-down	VDD_PADS_1	Programmable input / output line 10. Alternative function: <ul style="list-style-type: none"> QSPI_FLASH_CLK: SPI flash clock I2C_SCL: I²C serial clock line
PIO[9]	G9	Bidirectional with strong pull-down	VDD_PADS_2	Programmable input / output line 9. Alternative function: <ul style="list-style-type: none"> UART_CTS: UART clear to send, active low
PIO[8]	E10	Bidirectional with strong pull-up	VDD_PADS_2	Programmable input / output line 8. Alternative function: <ul style="list-style-type: none"> UART_RTS: UART request to send, active low
PIO[7]	G10	Bidirectional with strong pull-down	VDD_PADS_2	Programmable input / output line 7.
PIO[6]	E9	Bidirectional with strong pull-down	VDD_PADS_2	Programmable input / output line 6.

PIO Port	Ball	Pad Type	Supply Domain	Description
PIO[5]	J1	Bidirectional with weak pull-down	VDD_PADS_1	Programmable input / output line 5. Alternative function: <ul style="list-style-type: none"> ■ SPI_CLK: SPI clock ■ PCM1_CLK: PCM1 synchronous data clock
PIO[4]	E1	Bidirectional with weak pull-down	VDD_PADS_1	Programmable input / output line 4. Alternative function: <ul style="list-style-type: none"> ■ SPI_CS#: chip select for SPI, active low ■ PCM1_SYNC: PCM1 synchronous data sync
PIO[3]	J5	Bidirectional with weak pull-down	VDD_PADS_1	Programmable input / output line 3. Alternative function: <ul style="list-style-type: none"> ■ SPI_MISO: SPI data output ■ PCM1_OUT: PCM1 synchronous data output
PIO[2]	H1	Bidirectional with weak pull-down	VDD_PADS_1	Programmable input / output line 2. Alternative function: <ul style="list-style-type: none"> ■ SPI_MOSI: SPI data input ■ PCM1_IN: PCM1 synchronous data input
PIO[1]	F10	Bidirectional with strong pull-up	VDD_PADS_2	Programmable input / output line 1. Alternative function: <ul style="list-style-type: none"> ■ UART_TX: UART data output
PIO[0]	F9	Bidirectional with strong pull-up	VDD_PADS_2	Programmable input / output line 0. Alternative function: <ul style="list-style-type: none"> ■ UART_RX: UART data input
AIO[0]	D2	Bidirectional	VDD_AUX	Analogue programmable input / output line 0.

Test and Debug	Ball	Pad Type	Supply Domain	Description
RST#	J3	Input with strong pull-up	VDD_PADS_1	Reset if low. Pull low for minimum 5ms to cause a reset.

Codec	Ball	Pad Type	Supply Domain	Description
MIC_AP	A9	Analogue in	VDD_AUDIO	Microphone input positive, channel A
MIC_AN	A10			Microphone input negative, channel A
MIC_BP	B7	Analogue in	VDD_AUDIO	Microphone input positive, channel B
MIC_BN	B8			Microphone input negative, channel B

Codec	Ball	Pad Type	Supply Domain	Description
MIC_BIAS	B9	Analogue out	VBAT / 3V3_USB	Microphone bias
SPKR_LP	A4	Analogue out	VDD_AUDIO_DRV	Speaker output positive, left
SPKR_LN	B4			Speaker output negative, left
SPKR_RP	A6	Analogue out	VDD_AUDIO_DRV	Speaker output positive, right
SPKR_RN	B6			Speaker output negative, right
AU_REF	A8	Analogue in	VDD_AUDIO	Decoupling of audio reference (for high-quality audio)

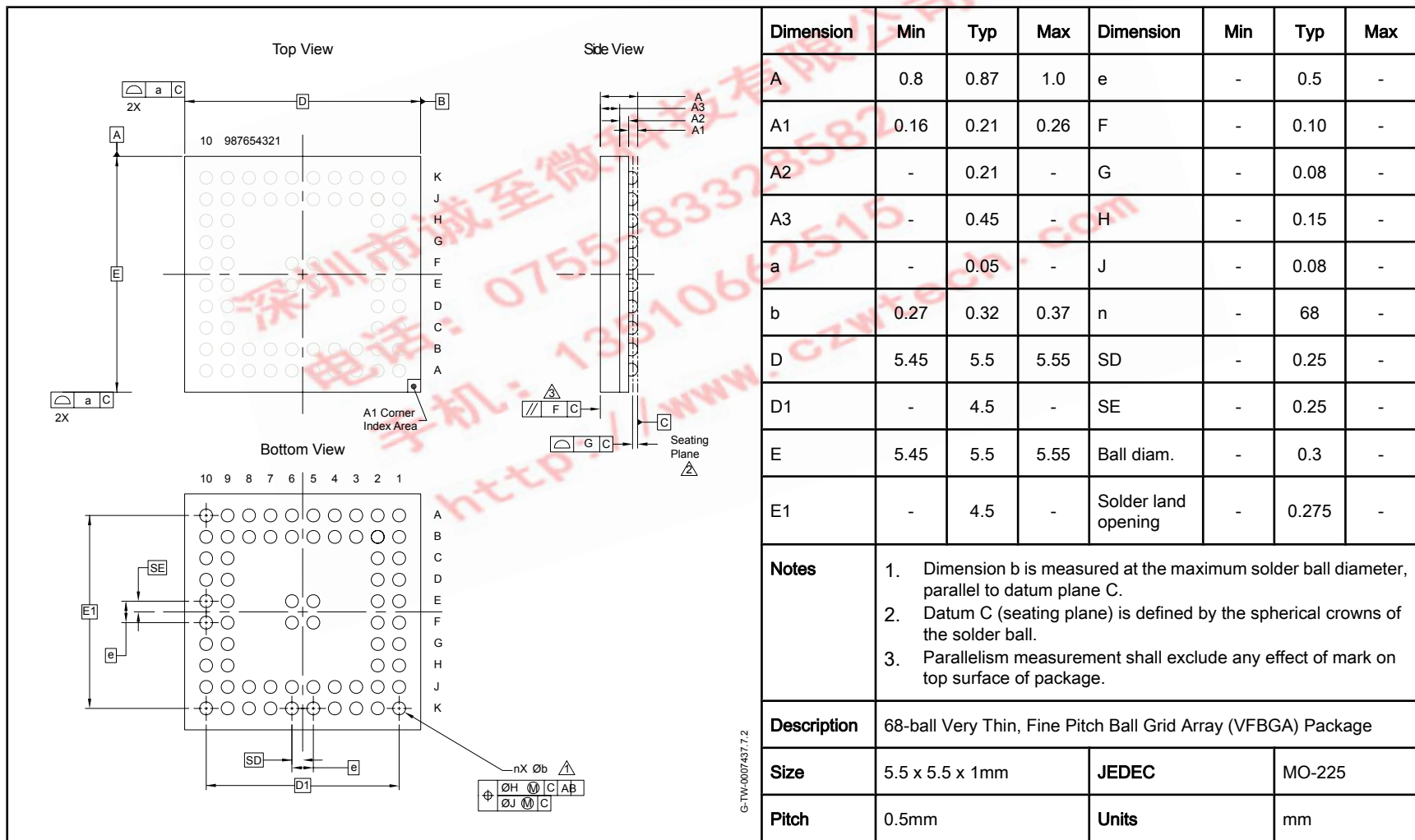
LED Drivers	Ball	Pad Type	Supply Domain	Description
LED[2]	B10	Bidirectional	VDD_PADS_2	LED driver. Alternative function: programmable output PIO[31] Note: As output is open-drain, an external pull-up is required when PIO[31] is configured as a programmable output.
LED[1]	K1	Bidirectional	VDD_PADS_1	LED driver. Alternative function: programmable output PIO[30]. Note: As output is open-drain, an external pull-up is required when PIO[30] is configured as a programmable output.
LED[0]	J2	Bidirectional	VDD_PADS_1	LED driver. Alternative function: programmable output PIO[29]. Note: As output is open-drain, an external pull-up is required when PIO[29] is configured as a programmable output.

Power Supplies and Control	Ball	Description
3V3_USB	J9	3.3V bypass linear regulator output. Positive supply for USB port. Connect external minimum 2.2 μ F ceramic decoupling capacitor.
CHG_EXT	J6	External battery charger control. External battery charger transistor base control when using external charger boost. Otherwise leave unconnected.
LX_1V35	K8	1.35V switch-mode power regulator inductor connection.
LX_1V8	K6	1.8V switch-mode power regulator inductor connection.
SMPS_1V35_SENSE	K10	1.35V switch-mode power regulator sense input.
SMPS_1V8_SENSE	H9	1.8V switch-mode power regulator sense input.
VBAT	K7	Battery positive terminal.
VBAT_SENSE	J7	Battery charger sense input. Connect directly to the battery positive pin.
VCHG	K5	Charger input. Typically connected to VBUS (USB supply) as Section 12 shows.
VDD_ANA_RADIO	C2	Bluetooth radio supply. Connect to 1.35V supply, see Section 12 for connections.
VDD_AUDIO	A7	Positive supply for audio. Connect to 1.35V supply, see Section 12 for connections.
VDD_AUDIO_DRV	B5	Positive supply for audio output amplifiers. Connect to 1.8V supply.
VDD_AUX	B2	Auxiliary supply. Connect to 1.35V supply, see Section 12 for connections.
VDD_AUX_1V8	A1	Auxiliary LDO regulator input. Connect to 1.8V supply, see Section 12 for connections.
VDD_DIG_MEM	K2	Digital LDO regulator output, see Section 12 for connections.
VDD_PADS_1	E5	Positive supply input for input/output ports.
VDD_PADS_2	E6	Positive supply input for input/output ports.
VREGENABLE	K4	Regulator enable input. Can also be sensed as an input. Regulator enable and multifunction button. A high input (tolerant to VBAT) enables the on-chip regulators, which can then be latched on internally and the button used as a multifunction input.

Power Supplies and Control	Ball	Description
VREGIN_DIG	K3	Digital LDO regulator input, see Section 12 for connections. Typically connected to a 1.35V supply.
VSS_AUDIO	A5	Ground connection for audio and audio driver.
VSS_BT_LO_AUX	A2	Ground connections for analogue circuitry and Bluetooth radio local oscillator.
VSS_BT_RF	B3	Bluetooth radio ground.
VSS_DIG	F6	Ground connection for internal digital circuitry.
VSS_SMPS_1V35	K9	1.35V switch-mode regulator ground.
VSS_SMPS_1V8	J8	1.8V switch-mode regulator ground.

深圳市诚至微科技有限公司
 电话: 0755-3328582
 手机: 13510662515
<http://www.czwtech.com>

1.3 Package Dimensions



1.4 PCB Design and Assembly Considerations

This section lists recommendations to achieve maximum board-level reliability of the 5.5 x 5.5 x 1mm VFBGA 68-ball package:

- NSMD lands, i.e. lands smaller than the solder mask aperture, are preferred because of the greater accuracy of the metal definition process compared to the solder mask process. With solder mask defined pads, the overlap of the solder mask on the land creates a step in the solder at the land interface, which can cause stress concentration and act as a point for crack initiation.
- Ideally, use via-in-pad technology to achieve truly NSMD lands. Where this is not possible, a maximum of one trace connected to each land is preferred and this trace should be as thin as possible, this needs to take into consideration its current carrying and the RF requirements.
- 35 μ m thick (1oz) copper lands are recommended rather than 17 μ m thick (0.5oz). This results in a greater standoff which has been proven to provide greater reliability during thermal cycling.
- Land diameter should be the same as that on the package to achieve optimum reliability.
- Solder paste is preferred to flux during the assembly process because this adds to the final volume of solder in the joint, increasing its reliability.
- When using a nickel gold plating finish, the gold thickness should be kept below 0.5 μ m to prevent brittle gold/tin intermetallics forming in the solder.

1.5 Typical Solder Reflow Profile

See *Typical Solder Reflow Profile for Lead-free Devices* for information.

手机: 15510662515
<http://www.czwtech.com>

2 Bluetooth Modem

2.1 RF Ports

2.1.1 BT_RF

CSR8645 BGA contains an on-chip balun which combines the balanced outputs of the PA on transmit and produces the balanced input signals for the LNA required on receive. No matching components are needed as the receive mode impedance is 50Ω and the transmitter has been optimised to deliver power into a 50Ω load.

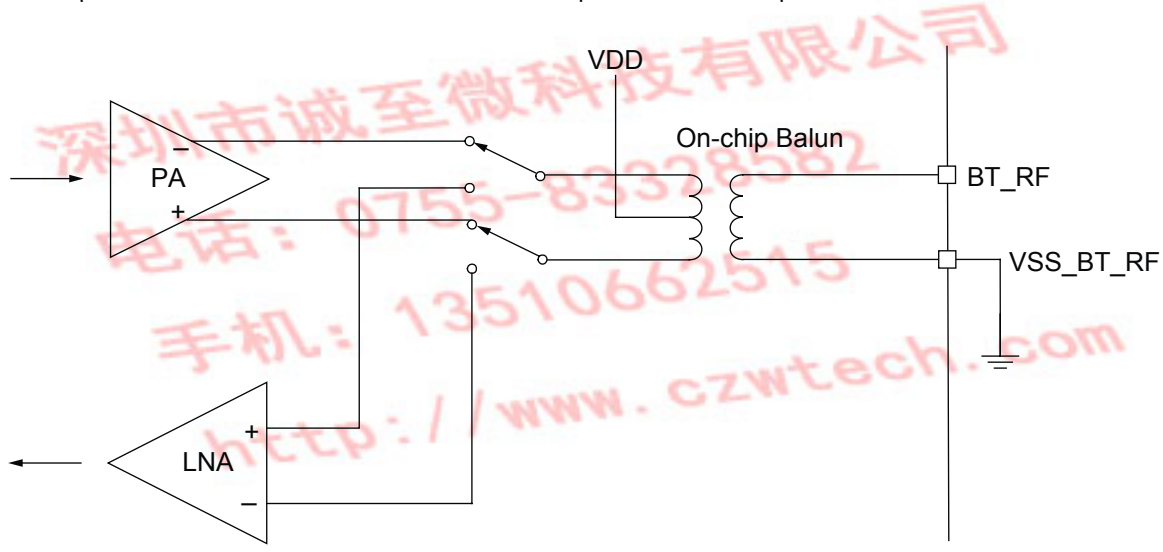


Figure 2.1: Simplified Circuit BT_RF

2.2 RF Receiver

The receiver features a near-zero IF architecture that enables the channel filters to be integrated onto the die. Sufficient out-of-band blocking specification at the LNA input enables the receiver to operate in close proximity to GSM and W-CDMA cellular phone transmitters without being desensitised. A digital FSK discriminator means that no discriminator tank is needed and its excellent performance in the presence of noise enables CSR8645 BGA to exceed the Bluetooth requirements for co-channel and adjacent channel rejection.

For EDR, the demodulator contains an ADC which digitises the IF received signal. This information is then passed to the EDR modem.

2.2.1 Low Noise Amplifier

The LNA operates in differential mode and takes its input from the balanced port of the on-chip balun.

2.2.2 RSSI Analogue to Digital Converter

The ADC implements fast AGC. The ADC samples the RSSI voltage on a slot-by-slot basis. The front-end LNA gain is changed according to the measured RSSI value, keeping the first mixer input signal within a limited range. This improves the dynamic range of the receiver, improving performance in interference-limited environments.

2.3 RF Transmitter

2.3.1 IQ Modulator

The transmitter features a direct IQ modulator to minimise frequency drift during a transmit timeslot, which results in a controlled modulation index. Digital baseband transmit circuitry provides the required spectral shaping.

2.3.2 Power Amplifier

The internal PA output power is software controlled and configured through a PS Key. The internal PA on the CSR8645 BGA has a maximum output power that enables it to operate as a Class 1, Class 2 and Class 3 Bluetooth radio without requiring an external RF PA.

2.4 Bluetooth Radio Synthesiser

The Bluetooth radio synthesiser is fully integrated onto the die with no requirement for an external VCO screening can, varactor tuning diodes, LC resonators or loop filter. The synthesiser is guaranteed to lock in sufficient time across the guaranteed temperature range to meet the Bluetooth v4.0 specification.

2.5 Baseband

2.5.1 Burst Mode Controller

During transmission the BMC constructs a packet from header information previously loaded into memory-mapped registers by the software and payload data/voice taken from the appropriate ring buffer in the RAM. During reception, the BMC stores the packet header in memory-mapped registers and the payload data in the appropriate ring buffer in RAM. This architecture minimises the intervention required by the processor during transmission and reception.

2.5.2 Physical Layer Hardware Engine

Dedicated logic performs:

- Forward error correction
- Header error control
- Cyclic redundancy check
- Encryption
- Data whitening
- Access code correlation
- Audio transcoding

Firmware performs the following voice data translations and operations:

- A-law/ μ -law/linear voice data (from host)
- A-law/ μ -law/CVSD (over the air)
- Voice interpolation for lost packets
- Rate mismatch correction

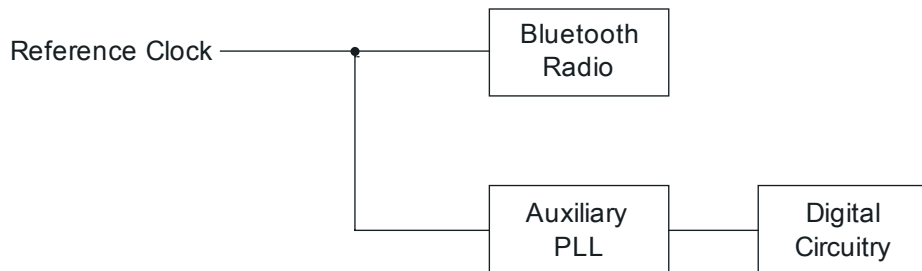
The hardware supports all optional and mandatory features of the Bluetooth v4.0 specification including AFH and eSCO.

3 Clock Generation

CSR8645 BGA requires a Bluetooth reference clock frequency of 16MHz to 32MHz from an externally connected crystal.

All CSR8645 BGA internal digital clocks are generated using a phase locked loop, which is locked to the frequency of the external reference clock source or safely free-runs at a reduced frequency if clock not present.

3.1 Clock Architecture



G-TW-0000189.3.3

Figure 3.1: Clock Architecture

3.2 Input Frequencies and PS Key Settings

CSR8645 BGA is configured to operate with a chosen reference frequency. PSKEY_ANA_FREQ sets this reference frequency for all frequencies using an integer multiple of 250kHz. The input frequency default setting for CSR8645 BGA is 26MHz depending on the software build. Full details are in the software release note for the specific build from www.csr.support.com.

3.3 Crystal Oscillator: XTAL_IN and XTAL_OUT

CSR8645 BGA contains a crystal driver circuit that acts as a transconductance amplifier driving an external crystal between XTAL_IN and XTAL_OUT. The crystal driver circuit forms a Pierce oscillator with the external crystal. No external crystal load capacitors are required for typical crystals.

3.3.1 Crystal Calibration

The actual crystal frequency depends on the capacitance of XTAL_IN and XTAL_OUT on the PCB and the CSR8645 BGA, as well as the capacitance of the crystal. Correct calibration of the Bluetooth radio is done on a per-device basis on the production line, with the trim value stored in non-volatile memory (PS Key).

Crystal calibration uses a single measurement. The measurement finds the actual offset from the desired frequency and the offset is stored in PSKEY_ANA_FTRIM_OFFSET. The firmware then compensates for the frequency offset on the CSR8645 BGA. Typically, a TXSTART radio test is performed to obtain the actual frequency and it is compared against the output frequency with the requested frequency using an RF analyser. The test station calculates the offset ratio and programs it into PSKEY_ANA_FTRIM_OFFSET. The value in PSKEY_ANA_FTRIM_OFFSET is a 16-bit 2's complement signed integer which specifies the fractional part of the ratio between the true crystal frequency, f_{actual} , and the value set in PSKEY_ANA_FREQ, f_{nominal} . Equation 3.1 shows the value of PSKEY_ANA_FTRIM_OFFSET in parts per 2^{20} rounded to the nearest integer.

For more information on TXSTART radio test see *BlueTest User Guide*.

$$\text{PSKEY_ANA_FTRIM_OFFSET} = \left(\frac{f_{\text{actual}}}{f_{\text{nominal}}} - 1 \right) \times 2^{20}$$

Equation 3.1: Crystal Calibration Using PSKEY_ANA_FTRIM_OFFSET

For a requested frequency of 2402MHz with an actual output of 2402.0168MHz the PSKEY_ANA_FTRIM_OFFSET value is 7, see Equation 3.2.

$$\text{PSKEY_ANA_FTRIM_OFFSET} = \left(\frac{2402.0168}{2402} - 1 \right) \times 2^{20} \approx 7$$

Equation 3.2: Example of PSKEY_ANA_FTRIM_OFFSET Value for 2402.0168MHz

For a requested frequency of 2402MHz with an actual output of 2401.9832MHz the PSKEY_ANA_FTRIM_OFFSET value is -7 (0xffff9), see Equation 3.3.

$$\text{PSKEY_ANA_FTRIM_OFFSET} = \left(\frac{2401.9832}{2402} - 1 \right) \times 2^{20} \approx -7$$

Equation 3.3: Example of PSKEY_ANA_FTRIM_OFFSET Value for 2401.9832MHz

深圳市诚至微科技有限公司
 电话：0755-83328582
 手机：13510662515
<http://www.czwtech.com>

4 Bluetooth Stack Microcontroller

The CSR8645 BGA uses a 16-bit RISC 80MHz MCU for low power consumption and efficient use of memory. It contains a single-cycle multiplier and a memory protection unit for the VM accelerator, see Section 4.1.

The MCU, interrupt controller and event timer run the Bluetooth software stack and control the Bluetooth radio and host interfaces.

4.1 VM Accelerator

CSR8645 BGA contains a VM accelerator alongside the MCU. This hardware accelerator improves the performance of VM applications.

深圳市诚至微科技有限公司
电话：0755-83328582
手机：13510662515
<http://www.czwtech.com>

5 Kalimba DSP

The Kalimba DSP is an open platform DSP enabling signal processing functions to be performed on over-air data or codec data to enhance audio applications. Figure 5.1 shows the Kalimba DSP interfaces to other functional blocks within CSR8645 BGA.

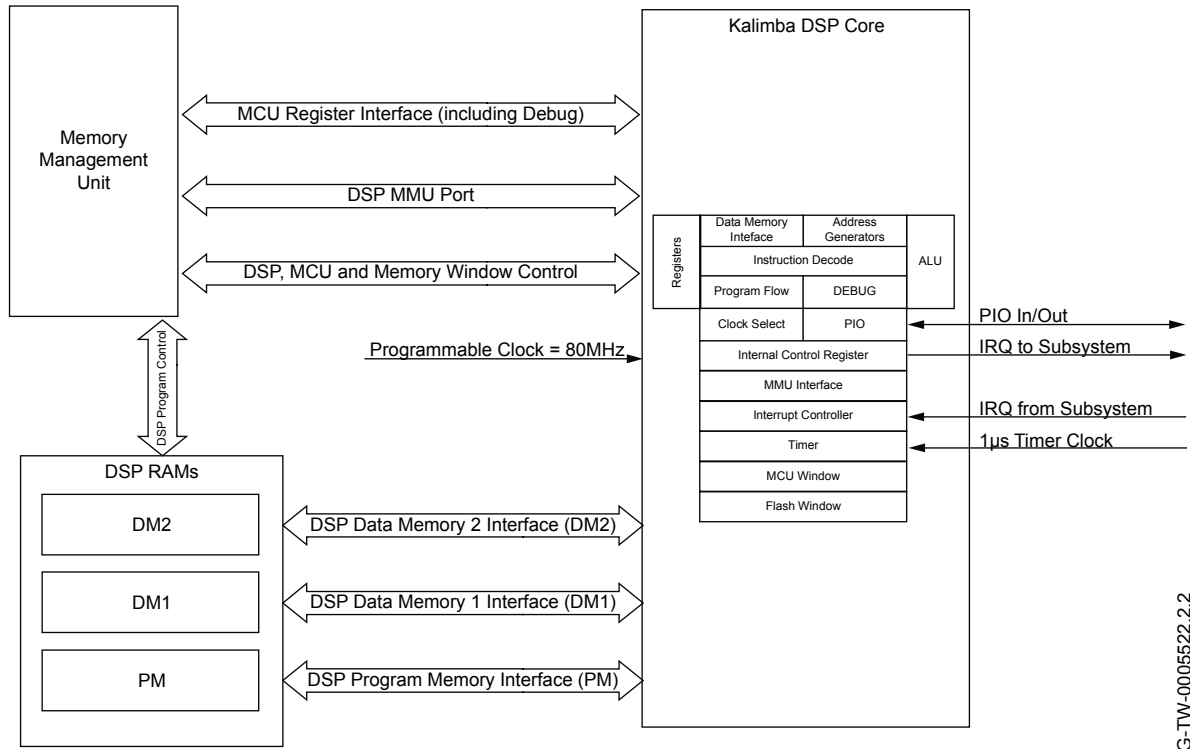


Figure 5.1: Kalimba DSP Interface to Internal Functions

The key features of the DSP include:

- 80MIPS performance, 24-bit fixed point DSP core
- 2 single-cycle MACs; 24 x 24-bit multiply and 56-bit accumulate
- 32-bit instruction word
- Separate program memory and dual data memory, allowing an ALU operation and up to 2 memory accesses in a single cycle
- Zero overhead looping, including a very low-power 32-instruction cache
- Zero overhead circular buffer indexing
- Single cycle barrel shifter with up to 56-bit input and 56-bit output
- Multiple cycle divide (performed in the background)
- Bit reversed addressing
- Orthogonal instruction set
- Low overhead interrupt

For more information see *Kalimba Architecture 3 DSP User Guide*.

6 Memory Interface and Management

6.1 Memory Management Unit

The MMU provides dynamically allocated ring buffers that hold the data that is in transit between the host, the air or the Kalimba DSP. The dynamic allocation of memory ensures efficient use of the available RAM and is performed by a hardware MMU to minimise the overheads on the processor during data/voice transfers. The use of DMA ports also helps with efficient transfer of data to other peripherals.

6.2 System RAM

56KB of integrated RAM supports the RISC MCU and is shared between the ring buffers for holding voice/data for each active connection and the general-purpose memory required by the Bluetooth stack.

6.3 Kalimba DSP RAM

Additional integrated RAM provides support for the Kalimba DSP:

- 16K x 24-bit for data memory 1 (DM1)
- 16K x 24-bit for data memory 2 (DM2)
- 6K x 32-bit for program memory (PM)

6.4 Internal ROM

Internal ROM is provided for system firmware implementation.

6.5 Serial Flash Interface

CSR8645 BGA supports external serial flash ICs. This enables additional data storage areas for device-specific data. CSR8645 BGA supports serial single I/O devices with a 1-bit I/O flash-memory interface.

Figure 6.1 shows a typical connection between CSR8645 BGA and a serial flash IC.

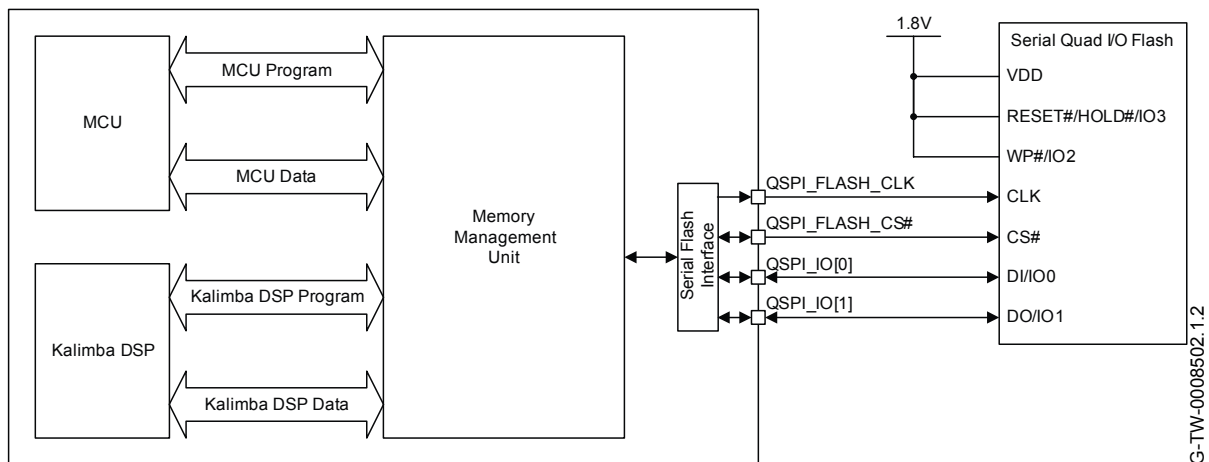


Figure 6.1: Serial Flash Interface

CSR8645 BGA supports Winbond, Microchip/SST, Macronix and compatible serial flash devices for PS Key and voice prompt storage up to 16Mb.

7 Serial Interfaces

7.1 USB Interface

CSR8645 BGA has a full-speed (12Mbps) USB interface for communicating with other compatible digital devices. The USB interface on CSR8645 BGA acts as a USB peripheral, responding to requests from a master host controller.

CSR8645 BGA contains internal USB termination resistors and requires no external resistor matching.

CSR8645 BGA supports the *Universal Serial Bus Specification, Revision v2.0 (USB v2.0 Specification)*, supports USB standard charger detection and fully supports the *USB Battery Charging Specification*, available from <http://www.usb.org>. For more information on how to integrate the USB interface on CSR8645 BGA see the *Bluetooth and USB Design Considerations Application Note*.

As well as describing USB basics and architecture, the application note describes:

- Power distribution for high and low bus-powered configurations
- Power distribution for self-powered configuration, which includes USB VBUS monitoring
- USB enumeration
- Electrical design guidelines for the power supply and data lines, as well as PCB tracks and the effects of ferrite beads
- USB suspend modes and Bluetooth low-power modes:
 - Global suspend
 - Selective suspend, includes remote wake
 - Wake on Bluetooth, includes permitted devices and set-up prior to selective suspend
 - Suspend mode current draw
 - PIO status in suspend mode
 - Resume, detach and wake PIOs
- Battery charging from USB, which describes dead battery provision, charge currents, charging in suspend modes and USB VBUS voltage consideration
- USB termination when interface is not in use
- Internal modules, certification and non-specification compliant operation

7.2 UART Interface

CSR8645 BGA has one optional standard UART serial interface that provides a simple mechanism for communicating with other serial devices using the RS232 protocol, including for test and debug. The UART interface is multiplexed with PIOs and other functions, and hardware flow control is optional. PS Keys configure this multiplexing, see Table 7.1.

PS Key	PIO Location Option
PSKEY_UART_RX_PIO	PIO[0] (default) or PIO[14]
PSKEY_UART_TX_PIO	PIO[1] (default) or PIO[15]
PSKEY_UART_RTS_PIO	PIO[8] (default) or PIO[16]
PSKEY_UART_CTS_PIO	PIO[9] (default) or PIO[17]

Table 7.1: PS Keys for UART/PIO Multiplexing

Figure 7.1 shows the 4 signals that implement the UART function.

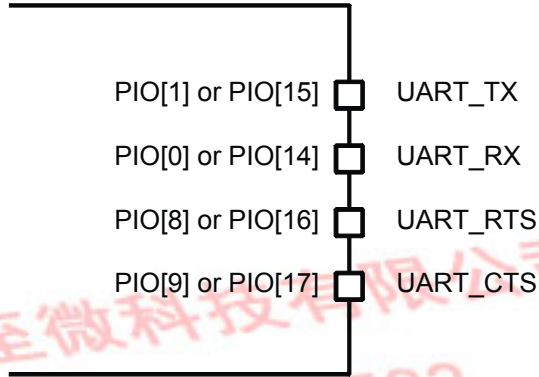


Figure 7.1: Universal Asynchronous Receiver

When CSR8645 BGA is connected to another digital device, UART_RX and UART_TX transfer data between the 2 devices. The remaining 2 signals, UART_CTS and UART_RTS, implement optional RS232 hardware flow control where both are active low indicators.

UART configuration parameters, such as baud rate and packet format, are set using CSR8645 BGA firmware.

Note:

To communicate with the UART at its maximum data rate using a standard PC, the PC requires an accelerated serial port adapter card.

Table 7.2 shows the possible UART settings.

Parameter		Possible Values
Baud rate	Minimum	1200 baud (≤2%Error)
		9600 baud (≤1%Error)
	Maximum	4Mbaud (≤1%Error)
Flow control		RTS/CTS or None
Parity		None, Odd or Even
Number of stop bits		1 or 2
Bits per byte		8

Table 7.2: Possible UART Settings

Table 7.3 lists common baud rates and their associated values for the PSKEY_UART_BAUDRATE. There is no requirement to use these standard values. Any baud rate within the supported range is set in the PS Key according to the formula in Equation 7.1.

$$\text{Baud Rate} = \frac{\text{PSKEY_UART_BAUDRATE}}{0.004096}$$

Equation 7.1: Baud Rate

Baud Rate	Persistent Store Value		Error
	Hex	Dec	
1200	0x0005	5	1.73%
2400	0x000a	10	1.73%
4800	0x0014	20	1.73%
9600	0x0027	39	-0.82%
19200	0x004f	79	0.45%
38400	0x009d	157	-0.18%
57600	0x00ec	236	0.03%
76800	0x013b	315	0.14%
115200	0x01d8	472	0.03%
230400	0x03b0	944	0.03%
460800	0x075f	1887	-0.02%
921600	0x0ebf	3775	0.00%
1382400	0x161e	5662	-0.01%
1843200	0x1d7e	7550	0.00%
2764800	0x2c3d	11325	0.00%
3686400	0x3afb	15099	0.00%

Table 7.3: Standard Baud Rates

7.3 Programming and Debug Interface

CSR8645 BGA provides a debug SPI interface for programming, configuring (PS Keys) and debugging the CSR8645 BGA. Access to this interface is required in production. Ensure the 4 SPI signals and the SPI/PCM# line are brought out to either test points or a header. To use the SPI interface, the SPI/PCM# line requires the option of being pulled high externally.

CSR provides development and production tools to communicate over the SPI from a PC, although a level translator circuit is often required. All are available from CSR.

7.3.1 Multi-slave Operation

Avoid connecting CSR8645 BGA in a multi-slave arrangement by simple parallel connection of slave MISO lines. When CSR8645 BGA is deselected (SPI_CS# = 1), the SPI_MISO line does not float. Instead, CSR8645 BGA outputs 0 if the processor is running or 1 if it is stopped.

7.4 I²C EEPROM Interface

CSR8645 BGA supports optional I²C EEPROM for storage of PS Keys and voice prompt data if SPI flash is not used. Figure 7.2 shows an example I²C EEPROM connection where:

- PIO[10] is the I²C EEPROM SCL line
- PIO[11] is the I²C EEPROM SDA line
- PIO[12] is the I²C EEPROM WP line

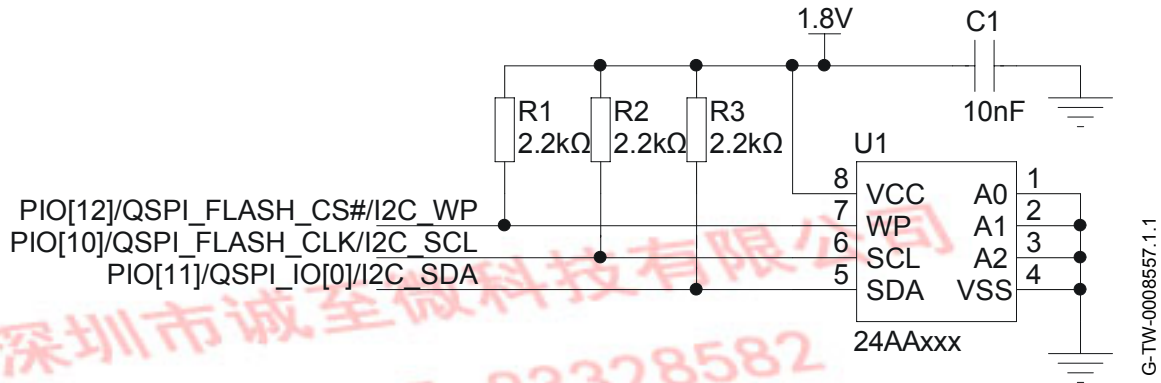


Figure 7.2: Example I²C EEPROM Connection

Note:

The I²C EEPROM requires external pull-up resistors, see Figure 7.2.

CSR recommends 400kHz capable I²C EEPROMs.

8 Interfaces

8.1 Programmable I/O Ports, PIO

CSR8645 BGA provides 22 lines of programmable bidirectional I/O, PIO[21:0]. Some of the PIOs on the CSR8645 BGA have alternative functions, see Table 8.1.

PIO	Function				
	Debug SPI (See Section 7.3)	SPI Flash (See Section 6.5)	UART (See Section 7.2)	PCM (See Section 9.3)	EEPROM (See Section 7.4)
PIO[0]	-	-	UART_RX (default)	-	-
PIO[1]	-	-	UART_TX (default)	-	-
PIO[2]	SPI_MOSI	-	-	PCM1_IN	-
PIO[3]	SPI_MISO	-	-	PCM1_OUT	-
PIO[4]	SPI_CS#	-	-	PCM1_SYNC	-
PIO[5]	SPI_CLK	-	-	PCM1_CLK	-
PIO[8]	-	-	UART_RTS (default)	-	-
PIO[9]	-	-	UART_CTS (default)	-	-
PIO[10]	-	QSPI_FLASH_CLK	-	-	I2C_SCL
PIO[11]	-	QSPI_IO[0]	-	-	I2C_SDA
PIO[12]	-	QSPI_FLASH_CS#	-	-	I2C_WP
PIO[13]	-	QSPI_IO[1]	-	-	-
PIO[14]	-	-	UART_RX	-	-
PIO[15]	-	-	UART_TX	-	-
PIO[16]	-	-	UART_RTS	-	-
PIO[17]	-	-	UART_CTS	-	-

Table 8.1: Alternative PIO Functions

Note:

See the relevant software release note for the implementation of these PIO lines, as they are firmware build-specific.

8.2 Analogue I/O Ports, AIO

CSR8645 BGA has 1 general-purpose analogue interface pin, AIO[0]. Typically, this connects to a thermistor for battery pack temperature measurements during charge control. See Section 12 for typical connections.

8.3 LED Drivers

CSR8645 BGA includes a 3-pad synchronised PWM LED driver for driving RGB LEDs for producing a wide range of colours. All LEDs are controlled by firmware.

The terminals are open-drain outputs, so the LED must be connected from a positive supply rail to the pad in series with a current-limiting resistor.

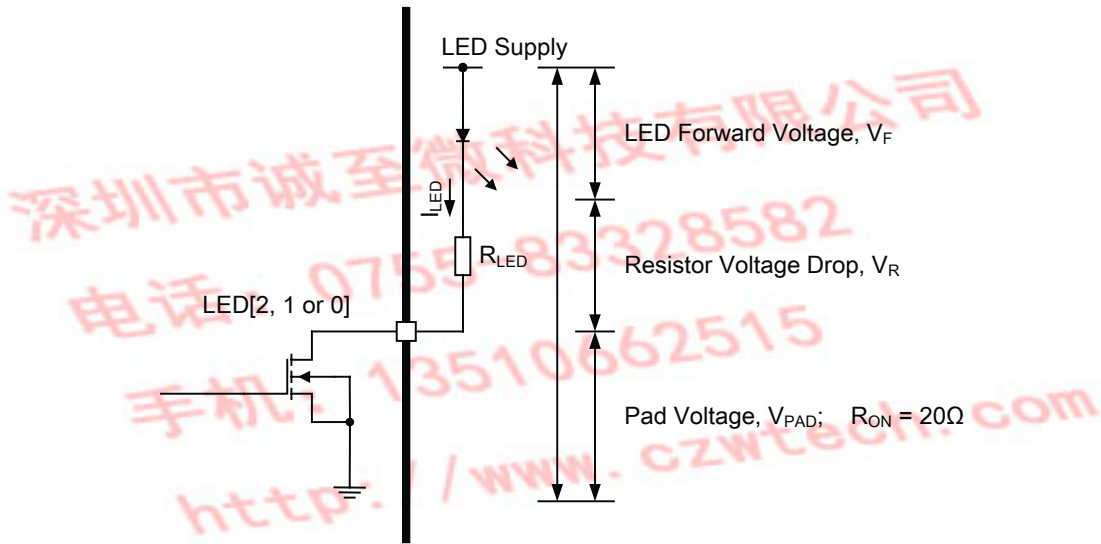


Figure 8.1: LED Equivalent Circuit

From Figure 8.1 it is possible to derive Equation 8.1 to calculate I_{LED} . If a known value of current is required through the LED to give a specific luminous intensity, then the value of R_{LED} is calculated.

$$I_{LED} = \frac{VDD - V_F}{R_{LED} + R_{ON}}$$

Equation 8.1: LED Current

For the LED pads to act as resistance, the external series resistor, R_{LED} , needs to be such that the voltage drop across it, V_R , keeps V_{PAD} below 0.5V. Equation 8.2 also applies.

$$VDD = V_F + V_R + V_{PAD}$$

Equation 8.2: LED PAD Voltage

Note:

The supply domain in Section 1.2 for LED[2:0] must remain powered for LED functions to operate.

The LED current adds to the overall current. Conservative LED selection extends battery life.

G-TW-0005534.2.2

CSR8645 BGA Data Sheet

9 Audio interface

The audio interface circuit consists of:

- Stereo/dual-mono audio codec
- Dual analogue audio inputs
- Dual analogue audio outputs
- 2 digital microphone inputs
- Configurable PCM (PCM1) and I²S interfaces, for configuration information contact CSR

Figure 9.1 shows the functional blocks of the interface. The codec supports stereo/dual-mono playback and recording of audio signals at multiple sample rates with a 16-bit resolution. The ADC and the DAC of the codec each contain 2 independent high-quality channels. Any ADC or DAC channel runs at its own independent sample rate.

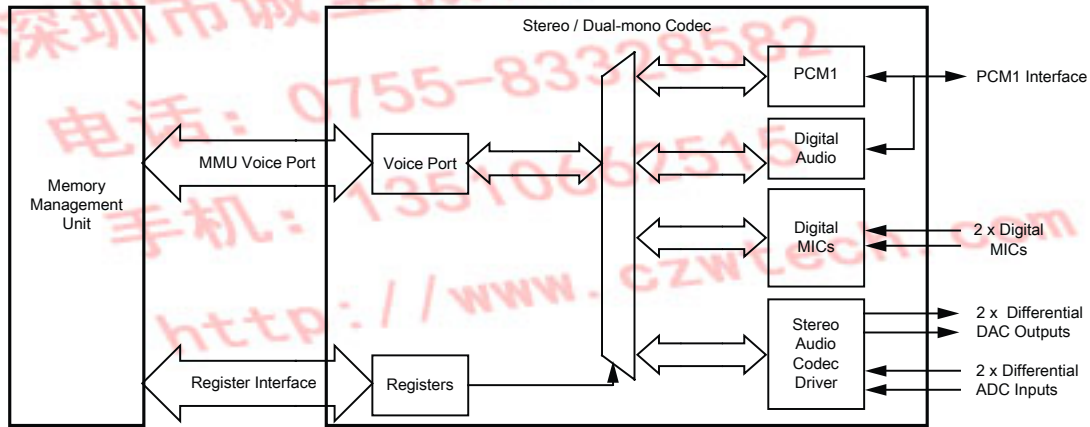


Figure 9.1: Audio Interface

The interface for the digital audio bus shares the same pins as the PCM1 codec interface described in Section 9.3. Table 9.1 lists the alternative functions.

Important Note:

The term *PCM* in Section 9.3 and its subsections refers to the PCM1 interface.

PCM Interface	I ² S Interface
PCM_OUT	SD_OUT
PCM_IN	SD_IN
PCM_SYNC	WS
PCM_CLK	SCK

Table 9.1: Alternative Functions of the Digital Audio Bus Interface on the PCM1 Interface

9.1 Audio Input and Output

The audio input circuitry consists of:

- 2 independent 16-bit high-quality ADC channels:
 - Programmable as either microphone or line input
 - Programmable as either stereo or dual-mono inputs
 - Multiplexed with 1 of the digital microphone inputs, see Figure 9.2 and Section 9.2.14
 - Each channel is independently configurable to be either single-ended or fully differential
 - Each channel has an analogue and digital programmable gain stage for optimisation of different microphones
- 2 digital microphone inputs (MEMS)

The audio output circuitry consists of a dual differential class A-B output stage.

Note:

CSR8645 BGA is designed for a differential audio output. If a single-ended audio output is required, use an external differential to single-ended converter.

9.2 Audio Codec Interface

The main features of the interface are:

- Stereo and mono analogue input for voice band and audio band
- Stereo and mono analogue output for voice band and audio band
- Support for I²S stereo digital audio bus standard
- Support for PCM interface including PCM master codecs that require an external system clock

Important Note:

To avoid any confusion regarding stereo operation this data sheet explicitly states which is the left and right channel for audio output. With respect to audio input, software and any registers, channel 0 or channel A represents the left channel and channel 1 or channel B represents the right channel.

9.2.1 Audio Codec Block Diagram

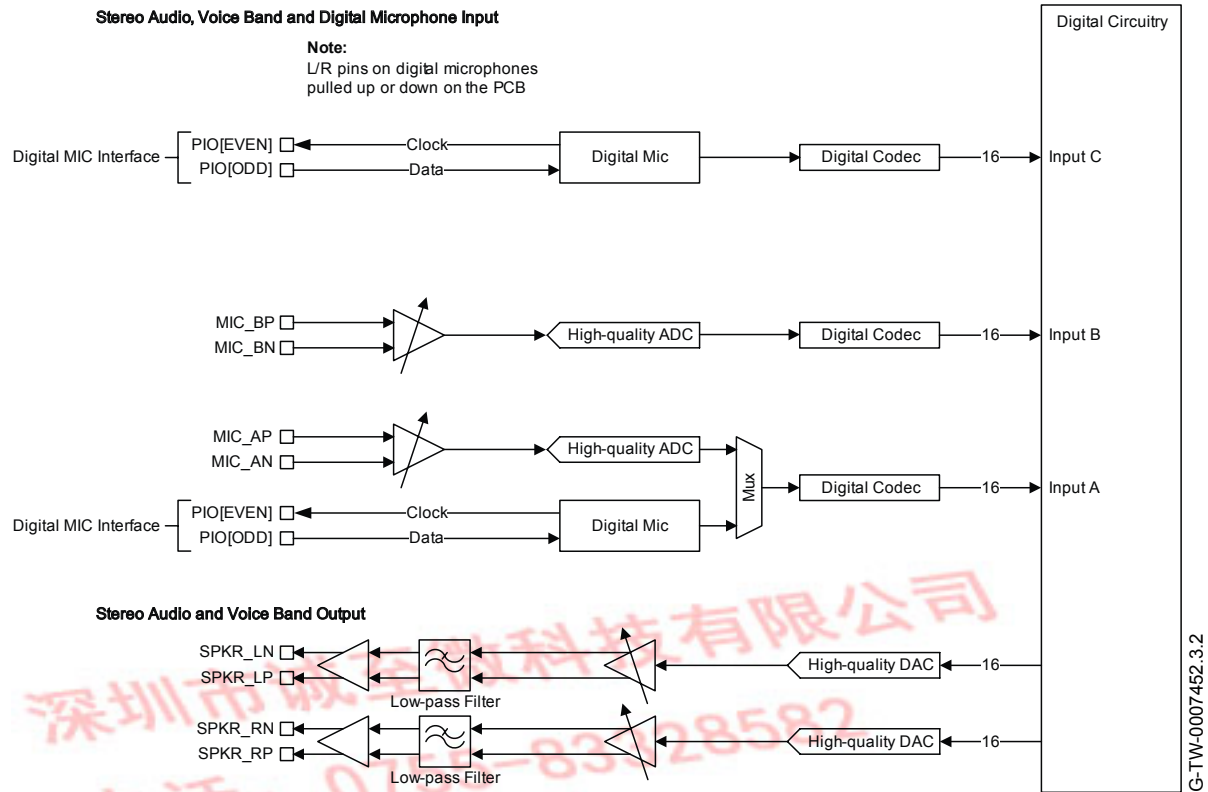


Figure 9.2: Audio Codec Input and Output Stages

The CSR8645 BGA audio codec uses a fully differential architecture in the analogue signal path, which results in low noise sensitivity and good power supply rejection while effectively doubling the signal amplitude. It operates from a dual power supply, VDD_AUDIO for the audio circuits and VDD_AUDIO_DRV for the audio driver circuits.

9.2.2 ADC

Figure 9.2 shows the CSR8645 BGA consists of 2 high-quality ADCs:

- Each ADC has a second-order Sigma-Delta converter.
- Each ADC is a separate channel with identical functionality.
- There are 2 gain stages for each channel, 1 of which is an analogue gain stage and the other is a digital gain stage, see Section 9.2.4.

9.2.3 ADC Sample Rate Selection

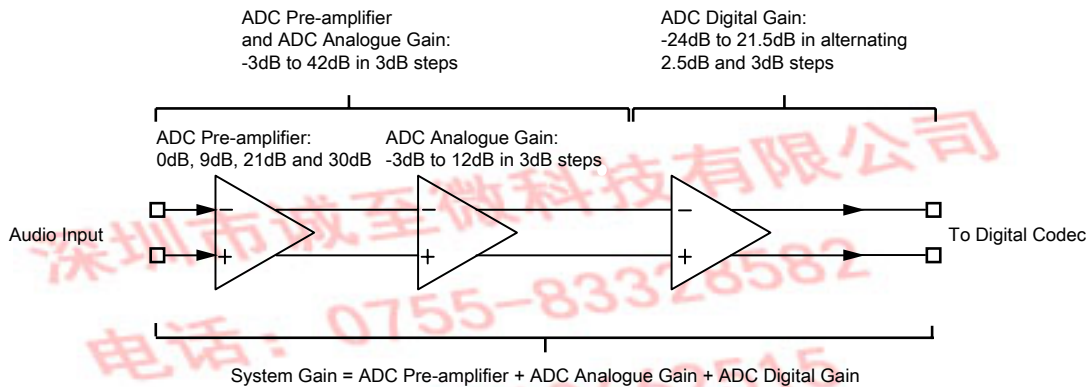
Each ADC supports the following pre-defined sample rates, although other rates are programmable, e.g. 40kHz:

- 8kHz
- 11.025kHz
- 16kHz
- 22.050kHz
- 24kHz
- 32kHz
- 44.1kHz
- 48kHz

9.2.4 ADC Audio Input Gain

Figure 9.3 shows that the CSR8645 BGA audio input gain consists of:

- An analogue gain stage based on a pre-amplifier and an analogue gain amplifier, see Section 9.2.5
- A digital gain stage, see Section 9.2.6



G-TW-0005535.4.3

Figure 9.3: Audio Input Gain

9.2.5 ADC Pre-amplifier and ADC Analogue Gain

CSR8645 BGA has an analogue gain stage based on an ADC pre-amplifier and ADC analogue amplifier:

- The ADC pre-amplifier has 4 gain settings: 0dB, 9dB, 21dB and 30dB
- The ADC analogue amplifier gain is -3dB to 12dB in 3dB steps
- The overall analogue gain for the pre-amplifier and analogue amplifier is -3dB to 42dB in 3dB steps, see Figure 9.3
- At mid to high gain levels it acts as a microphone pre-amplifier, see Section 9.2.13
- At low gain levels it acts as an audio line level amplifier

9.2.6 ADC Digital Gain

A digital gain stage inside the ADC varies from -24dB to 21.5dB, see Table 9.2. There is also a *fine gain interface* with a 9-bit gain setting allowing gain changes in 1/32 steps, for more information contact CSR.

The firmware controls the audio input gain.

Digital Gain Selection Value	ADC Digital Gain Setting (dB)	Digital Gain Selection Value	ADC Digital Gain Setting (dB)
0	0	8	-24
1	3.5	9	-20.5
2	6	10	-18
3	9.5	11	-14.5
4	12	12	-12
5	15.5	13	-8.5
6	18	14	-6
7	21.5	15	-2.5

Table 9.2: ADC Audio Input Gain Rate

9.2.7 ADC Digital IIR Filter

The ADC contains 2 integrated anti-aliasing filters:

- A *long* IIR filter suitable for music (>44.1kHz)
- G.722 filter is a digital IIR filter that improves the stop-band attenuation required for G.722 compliance (which is the best selection for 8kHz / 16kHz / voice)

For more information contact CSR.

9.2.8 DAC

The DAC consists of:

- 2 fourth-order Sigma-Delta converters enabling 2 separate channels that are identical in functionality, as Figure 9.2 shows.
- 2 gain stages for each channel, 1 of which is an analogue gain stage and the other is a digital gain stage.

9.2.9 DAC Sample Rate Selection

Each DAC supports the following sample rates:

- 8kHz
- 11.025kHz
- 16kHz
- 22.050kHz
- 32kHz
- 40kHz
- 44.1kHz
- 48kHz
- 96kHz

9.2.10 DAC Digital Gain

A digital gain stage inside the DAC varies from -24dB to 21.5dB, see Table 9.3. There is also a *fine gain interface* with a 9-bit gain setting enabling gain changes in 1/32 steps, for more information contact CSR.

The overall gain control of the DAC is controlled by the firmware. Its setting is a combined function of the digital and analogue amplifier settings.

Digital Gain Selection Value	DAC Digital Gain Setting (dB)	Digital Gain Selection Value	DAC Digital Gain Setting (dB)
0	0	8	-24
1	3.5	9	-20.5
2	6	10	-18
3	9.5	11	-14.5
4	12	12	-12
5	15.5	13	-8.5
6	18	14	-6
7	21.5	15	-2.5

Table 9.3: DAC Digital Gain Rate Selection

9.2.11 DAC Analogue Gain

Table 9.4 shows the DAC analogue gain stage consists of 8 gain selection values that represent seven 3dB steps. The firmware controls the overall gain control of the DAC. Its setting is a combined function of the digital and analogue amplifier settings.

Analogue Gain Selection Value	DAC Analogue Gain Setting (dB)	Analogue Gain Selection Value	DAC Analogue Gain Setting (dB)
7	0	3	-12
6	-3	2	-15
5	-6	1	-18
4	-9	0	-21

Table 9.4: DAC Analogue Gain Rate Selection

9.2.12 DAC Digital FIR Filter

The DAC contains an integrated digital FIR filter with the following modes:

- A default *long* FIR filter for best performance at ≥ 44.1 kHz.
- A *short* FIR to reduce latency.
- A *narrow* FIR (a very sharp roll-off at Nyquist) for G.722 compliance. Best for 8kHz / 16kHz.

9.2.13 Microphone Input

CSR8645 BGA contains an independent low-noise microphone bias generator. The microphone bias generator is recommended for biasing electret condenser microphones. Figure 9.4 shows a biasing circuit for microphones with a sensitivity between about -40 to -60dB (0dB = 1V/Pa).

Where:

- The microphone bias generator derives its power from VBAT or 3V3_USB and requires no capacitor on its output.
- The microphone bias generator maintains regulation within the limits 70 μ A to 2.8mA, supporting a 2mA source typically required by 2 electret condenser microphones. If the microphone sits below these limits, then the microphone output must be pre-loaded with a large value resistor to ground.
- Biasing resistors R1 and R2 equal 2.2k Ω .
- The input impedance at MIC_AN, MIC_AP, MIC_BN and MIC_BP is typically 6k Ω .
- C1, C2, C3 and C4 are 100/150nF if bass roll-off is required to limit wind noise on the microphone.
- R1 and R2 set the microphone load impedance and are normally around 2.2k Ω .

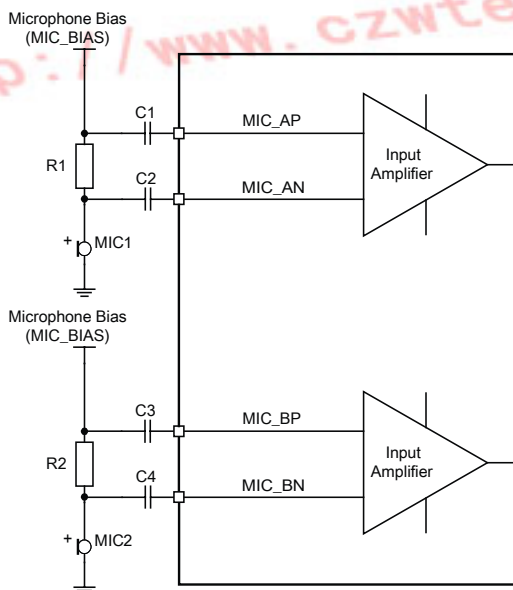


Figure 9.4: Microphone Biasing

The microphone bias characteristics include:

- Power supply:
 - CSR8645 BGA microphone supply is VBAT or 3V3_USB
 - Minimum input voltage = Output voltage + drop-out voltage
 - Maximum input voltage is 4.3V
- Drop-out voltage:
 - 300mV maximum
- Output voltage:
 - 1.8V or 2.6V
 - Tolerance 90% to 110%
- Output current:
 - 70 μ A to 2.8mA
- No load capacitor required

9.2.14 Digital Microphone Inputs

The CSR8645 BGA interfaces to 2 digital microphone inputs. Figure 9.2 shows the interface between the codec and the digital microphone interface. Figure 9.2 shows that the digital microphone interface on the CSR8645 BGA has:

- Clock lines linked to any even-numbered PIO as determined by the firmware.
- Data lines linked to any odd-numbered PIO as determined by the firmware.

Note:

- For the digital microphone interface to work in this configuration ensure the microphone uses a tristate between edges.
- The left and right selection for the digital microphones are appropriately pulled up or down for selection on the PCB.

9.2.15 Line Input

Section 9.2.4 states that if the pre-amplifier audio input gain is set at a low gain level it acts as an audio line level amplifier. In this line input mode the input impedance varies from $6k\Omega$ to $30k\Omega$, depending on the volume setting. Figure 9.5 and Figure 9.6 show 2 circuits for line input operation and show connections for either differential or single-ended inputs.

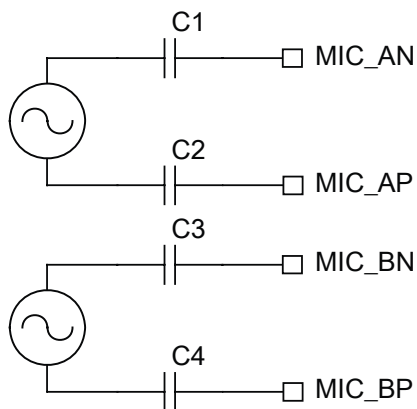


Figure 9.5: Differential Input

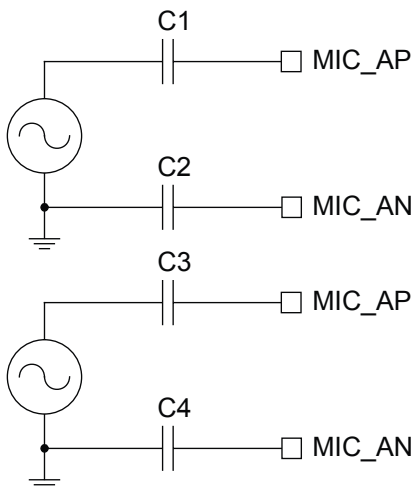


Figure 9.6: Single-ended Input

9.2.16 Output Stage

The output stage digital circuitry converts the signal from 16-bit per sample, linear PCM of variable sampling frequency to bit stream, which is fed into the analogue output circuitry.

The analogue output circuit comprises a DAC, a buffer with gain-setting, a low-pass filter and a class AB output stage amplifier. Figure 9.7 shows that the output is available as a differential signal between SPKR_LN and SPKR_LP for the left channel, and between SPKR_RN and SPKR_RP for the right channel.

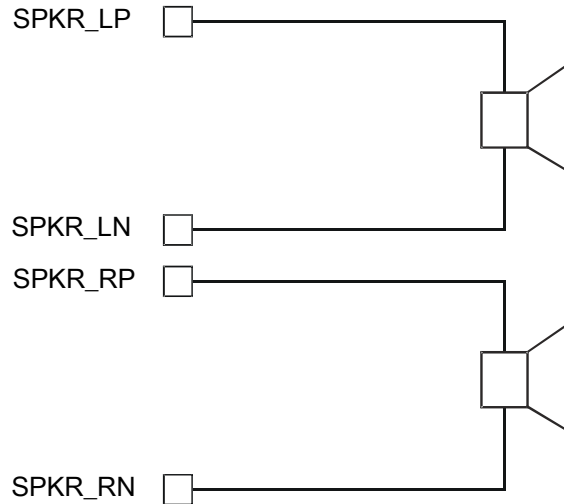


Figure 9.7: Speaker Output

9.2.17 Mono Operation

Mono operation is a single-channel operation of the stereo codec. The left channel represents the single mono channel for audio in and audio out. In mono operation, the right channel is the auxiliary mono channel for dual-mono channel operation.

In single channel mono operation, disable the other channel to reduce power consumption.

9.2.18 Side Tone

In some applications it is necessary to implement side tone. This side tone function involves feeding a properly gained microphone signal in to the DAC stream, e.g. earpiece. The side tone routing selects the version of the microphone signal from before or after the digital gain in the ADC interface and adds it to the output signal before or after the digital gain of the DAC interface, see Figure 9.8.

G-TW-0005637.1.1

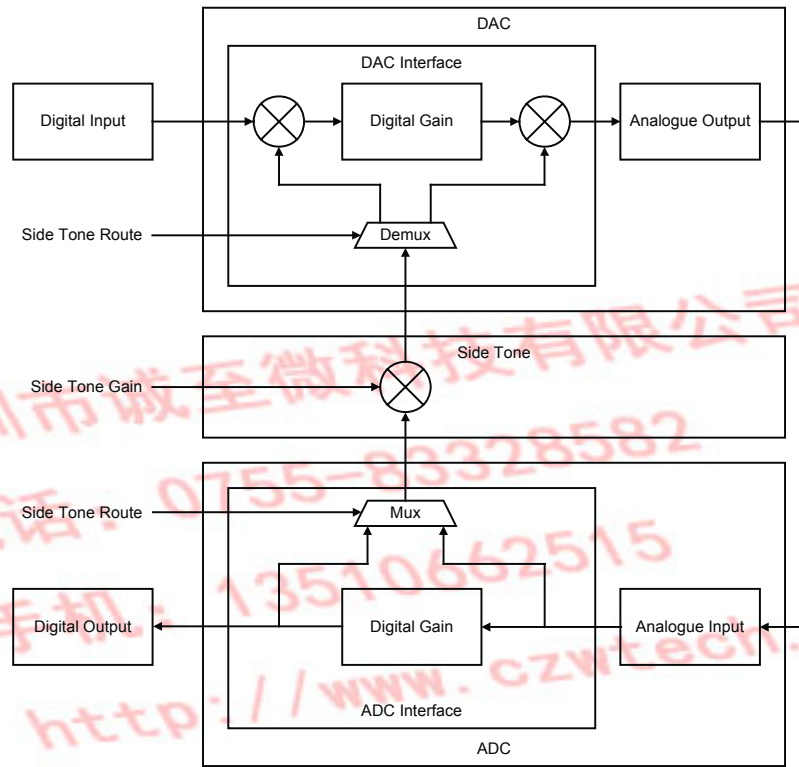


Figure 9.8: Side Tone

The ADC provides simple gain to the side tone data. The gain values range from -32.6dB to 12.0dB in alternating steps of 2.5dB and 3.5dB, see Table 9.5.

Value	Side Tone Gain	Value	Side Tone Gain
0	-32.6dB	8	-8.5dB
1	-30.1dB	9	-6.0dB
2	-26.6dB	10	-2.5dB
3	-24.1dB	11	0dB
4	-20.6dB	12	3.5dB
5	-18.1dB	13	6.0dB
6	-14.5dB	14	9.5dB
7	-12.0dB	15	12.0dB

Table 9.5: Side Tone Gain

G-TW-0005375.1.1

Note:

The values of side tone are shown for information only. During standard operation, the application software controls the side tone gain.

The following PS Keys configure the side tone hardware:

- PSKEY_SIDE_TONE_ENABLE
- PSKEY_SIDE_TONE_GAIN
- PSKEY_SIDE_TONE_AFTER_ADC
- PSKEY_SIDE_TONE_AFTER_DAC

9.2.19 Integrated Digital IIR Filter

CSR8645 BGA has a programmable digital filter integrated into the ADC channel of the codec. The filter is a 2-stage, second order IIR and is for functions such as custom wind noise reduction. The filter also has optional DC blocking.

The filter has 10 configuration words:

- 1 for gain value
- 8 for coefficient values
- 1 for enabling and disabling the DC blocking

The gain and coefficients are all 12-bit 2's complement signed integer with the format NN.NNNNNNNNNN.

Note:

The position of the binary point is between bit[10] and bit[9], where bit[11] is the most significant bit.

For example:

- 01.1111111111 = most positive number, close to 2
- 01.0000000000 = 1
- 00.0000000000 = 0
- 11.0000000000 = -1
- 10.0000000000 = -2, most negative number

Equation 9.1 shows the equation for the IIR filter. Equation 9.2 shows the equation for when the DC blocking is enabled.

The filter is configured, enabled and disabled from the VM via the `CodecSetIIRFilterA` and `CodecSetIIRFilterB` traps. This requires firmware support. The configuration function takes 10 variables in the following order:

- 0 : Gain
- 1 : b_{01}
- 2 : b_{02}
- 3 : a_{01}
- 4 : a_{02}
- 5 : b_{11}
- 6 : b_{12}
- 7 : a_{11}
- 8 : a_{12}
- 9 : DC Block (1 = enable, 0 = disable)

$$\text{Filter, } H(z) = \text{Gain} \times \frac{(1 + b_{01} z^{-1} + b_{02} z^{-2})}{(1 + a_{01} z^{-1} + a_{02} z^{-2})} \times \frac{(1 + b_{11} z^{-1} + b_{12} z^{-2})}{(1 + a_{11} z^{-1} + a_{12} z^{-2})}$$

Equation 9.1: IIR Filter Transfer Function, $H(z)$

$$\text{Filter with DC Blocking, } H_{DC}(z) = H(z) \times (1 - z^{-1})$$

Equation 9.2: IIR Filter Plus DC Blocking Transfer Function, $H_{DC}(z)$

9.3 PCM1 Interface

Section 9 describes the various digital audio interfaces multiplexed on the the PCM1 interface. The PCM1 interface also shares the same physical set of pins with the SPI interface, see Section 7.3 and Section 8.1. Either interface is selected using SPI_PCM#:

- SPI_PCM# = 1 selects SPI
- SPI_PCM# = 0 selects PCM

Important Note:

The term *PCM* refers to PCM1.

The audio PCM interface on the CSR8645 BGA supports:

- Continuous transmission and reception of PCM encoded audio data over Bluetooth.
- Processor overhead reduction through hardware support for continual transmission and reception of PCM data.
- A bidirectional digital audio interface that routes directly into the baseband layer of the firmware. It does not pass through the HCI protocol layer.
- Hardware on the CSR8645 BGA for sending data to and from a SCO connection.
- Up to 3 SCO connections on the PCM interface at any one time.
- PCM interface master, generating PCM_SYNC and PCM_CLK.
- PCM interface slave, accepting externally generated PCM_SYNC and PCM_CLK.
- Various clock formats including:
 - Long Frame Sync
 - Short Frame Sync
 - GCI timing environments
- 13-bit or 16-bit linear, 8-bit μ -law or A-law companded sample formats.
- Receives and transmits on any selection of 3 of the first 4 slots following PCM_SYNC.

The PCM configuration options are enabled by setting the PSKEY_PCM_CONFIG32.

9.3.1 PCM Interface Master/Slave

When configured as the master of the PCM interface, CSR8645 BGA generates PCM_CLK and PCM_SYNC.

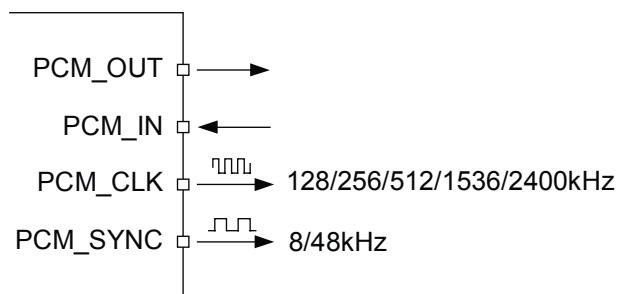


Figure 9.9: PCM Interface Master

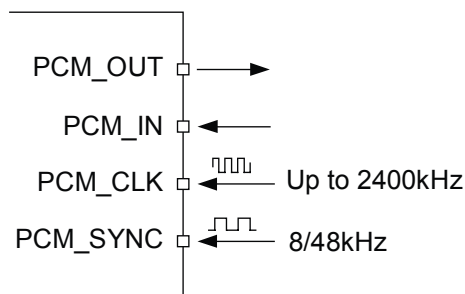


Figure 9.10: PCM Interface Slave

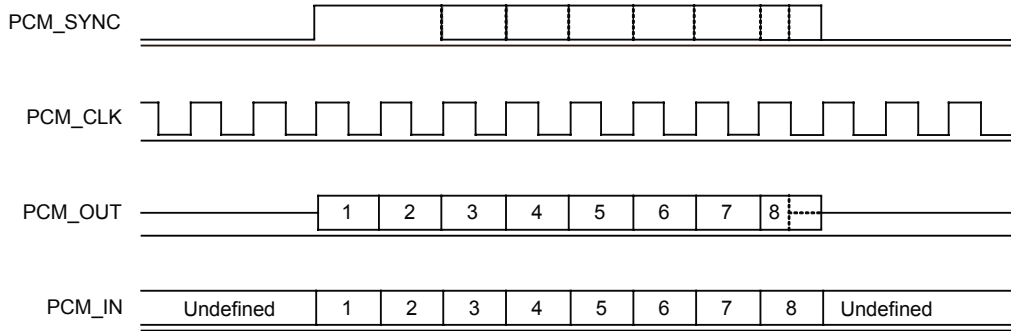
9.3.2 Long Frame Sync

Long Frame Sync is the name given to a clocking format that controls the transfer of PCM data words or samples. In Long Frame Sync, the rising edge of PCM_SYNC indicates the start of the PCM word. When CSR8645 BGA is configured as PCM master, generating PCM_SYNC and PCM_CLK, then PCM_SYNC is 8 bits long. When CSR8645 BGA is configured as PCM Slave, PCM_SYNC is from 1 cycle PCM_CLK to half the PCM_SYNC rate.

深圳市城...
 电话: 0755-83328582
 手机: 13510662515
<http://www.czwtech.com>

G-TW-0000217.3.4

G-TW-0000218.3.3



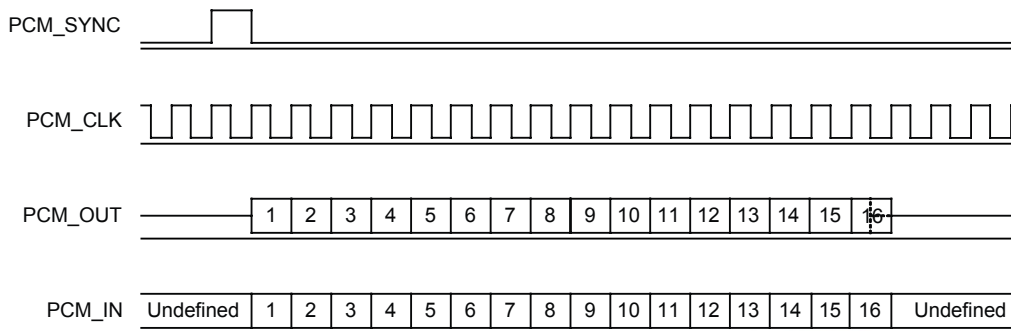
G-TW-0000219.2.2

Figure 9.11: Long Frame Sync (Shown with 8-bit Companded Sample)

CSR8645 BGA samples PCM_IN on the falling edge of PCM_CLK and transmits PCM_OUT on the rising edge. PCM_OUT is configurable as high impedance on the falling edge of PCM_CLK in the LSB position or on the rising edge.

9.3.3 Short Frame Sync

In Short Frame Sync, the falling edge of PCM_SYNC indicates the start of the PCM word. PCM_SYNC is always 1 clock cycle long.



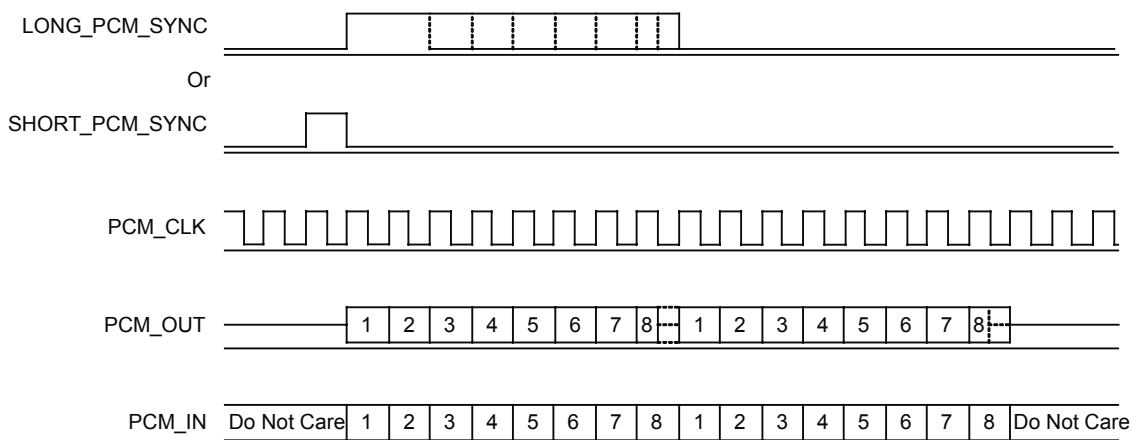
G-TW-0000220.2.3

Figure 9.12: Short Frame Sync (Shown with 16-bit Sample)

As with Long Frame Sync, CSR8645 BGA samples PCM_IN on the falling edge of PCM_CLK and transmits PCM_OUT on the rising edge. PCM_OUT is configurable as high impedance on the falling edge of PCM_CLK in the LSB position or on the rising edge.

9.3.4 Multi-slot Operation

More than 1 SCO connection over the PCM interface is supported using multiple slots. Up to 3 SCO connections are carried over any of the first 4 slots.

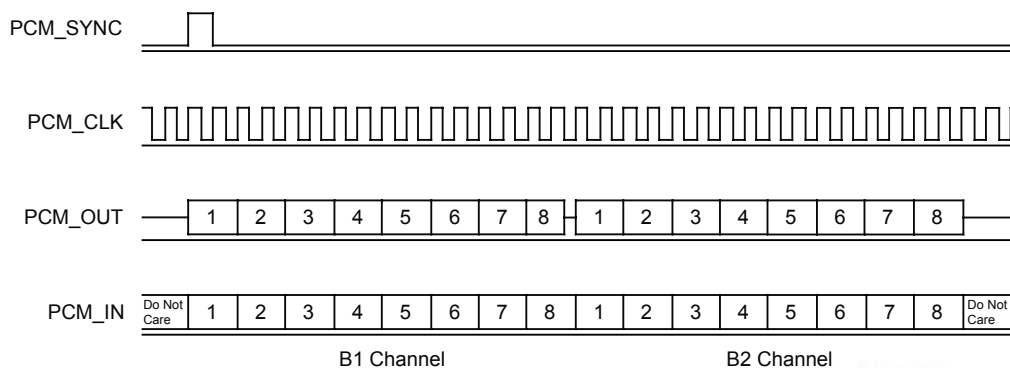


G-TW-0000221.3.2

Figure 9.13: Multi-slot Operation with 2 Slots and 8-bit Companded Samples

9.3.5 GCI Interface

CSR8645 BGA is compatible with the GCI, a standard synchronous 2B+D ISDN timing interface. The 2 64kbps B channels are accessed when this mode is configured.



G-TW-0000222.2.3

Figure 9.14: GCI Interface

The start of frame is indicated by the rising edge of PCM_SYNC and runs at 8kHz.

9.3.6 Slots and Sample Formats

CSR8645 BGA receives and transmits on any selection of the first 4 slots following each sync pulse. Slot durations are either 8 or 16 clock cycles:

- 8 clock cycles for 8-bit sample formats.
- 16 clock cycles for 8-bit, 13-bit or 16-bit sample formats.

CSR8645 BGA supports:

- 13-bit linear, 16-bit linear and 8-bit μ -law or A-law sample formats.
- A sample rate of 8ksps.
- Little or big endian bit order.
- For 16-bit slots, the 3 or 8 unused bits in each slot are filled with sign extension, padded with zeros or a programmable 3-bit audio attenuation compatible with some codecs.

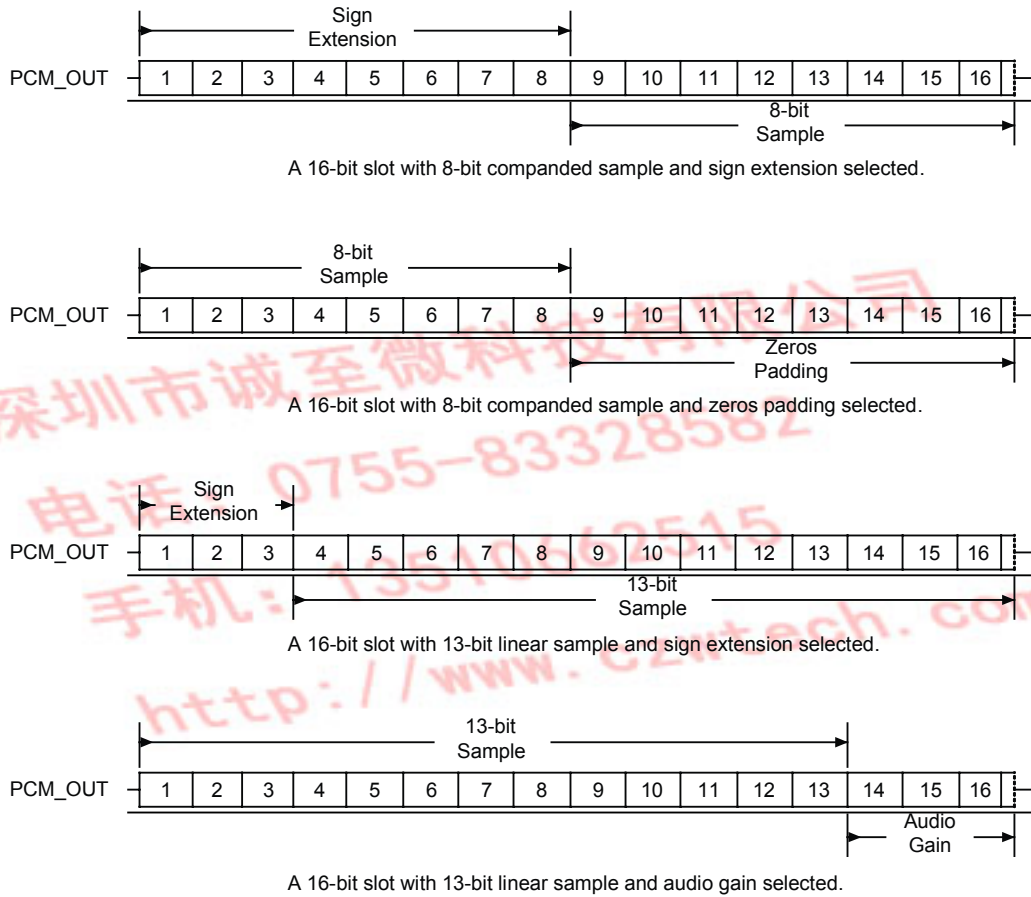


Figure 9.15: 16-bit Slot Length and Sample Formats

9.3.7 Additional Features

CSR8645 BGA has a mute facility that forces PCM_OUT to be 0. In master mode, CSR8645 BGA is compatible with some codecs which control power down by forcing PCM_SYNC to 0 while keeping PCM_CLK running.

G-TW-0000223.2.3

9.3.8 PCM Timing Information

Symbol	Parameter		Min	Typ	Max	Unit
f_{mclk}	PCM_CLK frequency	4MHz DDS generation. Selection of frequency is programmable. See Section 9.3.10.	-	128	-	kHz
				256		
				512		
-	-	48MHz DDS generation. Selection of frequency is programmable. See Section 9.3.10.	2.9	-	-	kHz
-	PCM_SYNC frequency for SCO connection		-	8	-	kHz
$t_{mclkh}^{(a)}$	PCM_CLK high	4MHz DDS generation	980	-	-	ns
$t_{mckl}^{(a)}$	PCM_CLK low	4MHz DDS generation	730	-	-	ns
-	PCM_CLK jitter		-	-	21	ns pk-pk
$t_{dmclksynch}$	Delay time from PCM_CLK high to PCM_SYNC high		-	-	20	ns
$t_{dmclkpout}$	Delay time from PCM_CLK high to valid PCM_OUT		-	-	20	ns
$t_{dmcklsyncl}$	Delay time from PCM_CLK low to PCM_SYNC low (Long Frame Sync only)		-	-	20	ns
$t_{dmckhsyncl}$	Delay time from PCM_CLK high to PCM_SYNC low		-	-	20	ns
$t_{dmcklpoutz}$	Delay time from PCM_CLK low to PCM_OUT high impedance		-	-	20	ns
$t_{dmckhpoutz}$	Delay time from PCM_CLK high to PCM_OUT high impedance		-	-	20	ns
$t_{supinckl}$	Set-up time for PCM_IN valid to PCM_CLK low		20	-	-	ns
$t_{hpinckl}$	Hold time for PCM_CLK low to PCM_IN invalid		0	-	-	ns

Table 9.6: PCM Master Timing

^(a) Assumes normal system clock operation. Figures vary during low-power modes, when system clock speeds are reduced.

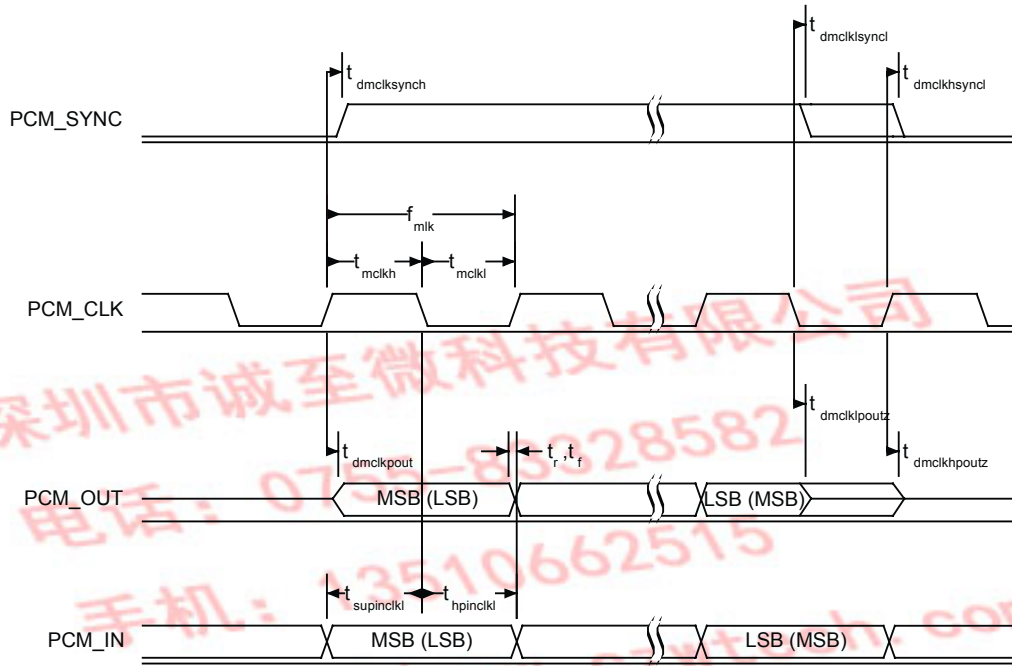


Figure 9.16: PCM Master Timing Long Frame Sync

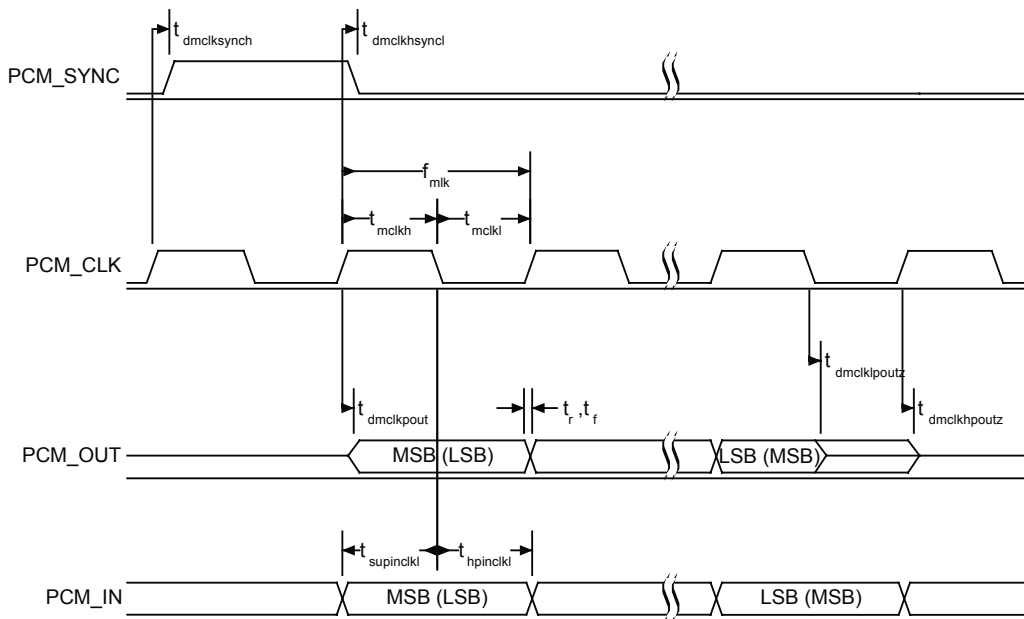


Figure 9.17: PCM Master Timing Short Frame Sync

G-TW-0000224.2.3

G-TW-0000225.3.3

Symbol	Parameter	Min	Typ	Max	Unit
f_{sclk}	PCM clock frequency (Slave mode: input)	64	-	(a)	kHz
f_{sclk}	PCM clock frequency (GCI mode)	128	-	(b)	kHz
t_{sckl}	PCM_CLK low time	200	-	-	ns
t_{sckh}	PCM_CLK high time	200	-	-	ns
$t_{hscklsynch}$	Hold time from PCM_CLK low to PCM_SYNC high	2	-	-	ns
$t_{suscklsynch}$	Set-up time for PCM_SYNC high to PCM_CLK low	20	-	-	ns
t_{dpout}	Delay time from PCM_SYNC or PCM_CLK, whichever is later, to valid PCM_OUT data (Long Frame Sync only)	-	-	20	ns
$t_{dscklhout}$	Delay time from CLK high to PCM_OUT valid data	-	-	15	ns
t_{dpoutz}	Delay time from PCM_SYNC or PCM_CLK low, whichever is later, to PCM_OUT data line high impedance	-	-	15	ns
$t_{supinsckl}$	Set-up time for PCM_IN valid to CLK low	20	-	-	ns
$t_{hpinsckl}$	Hold time for PCM_CLK low to PCM_IN invalid	2	-	-	ns

Table 9.7: PCM Slave Timing

(a) Max frequency is the frequency defined by PSKEY_PCM_MIN_CPU_CLOCK

(b) Max frequency is twice the frequency defined by PSKEY_PCM_MIN_CPU_CLOCK

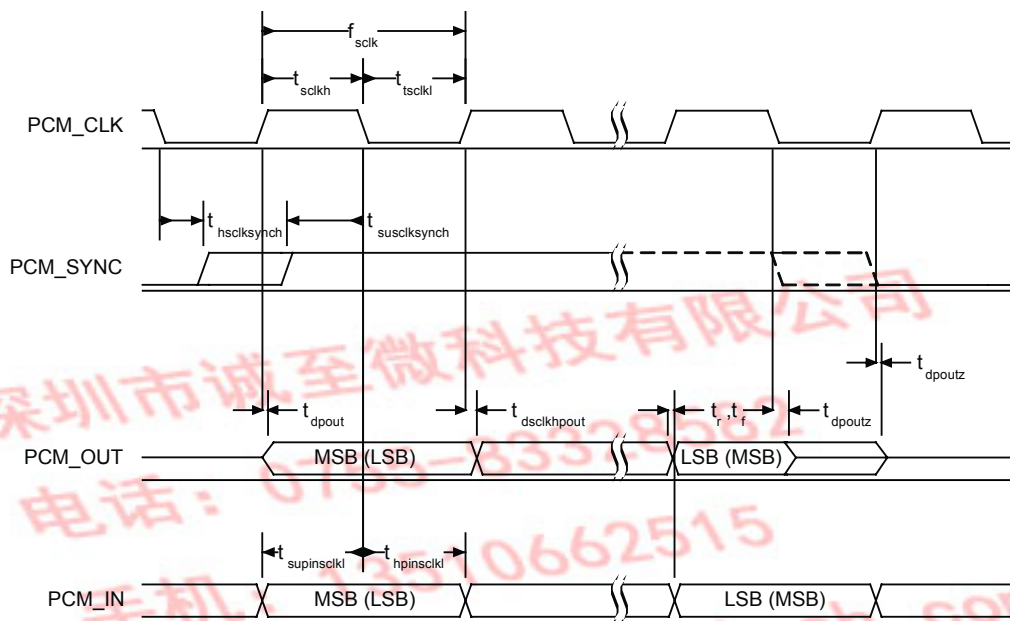


Figure 9.18: PCM Slave Timing Long Frame Sync

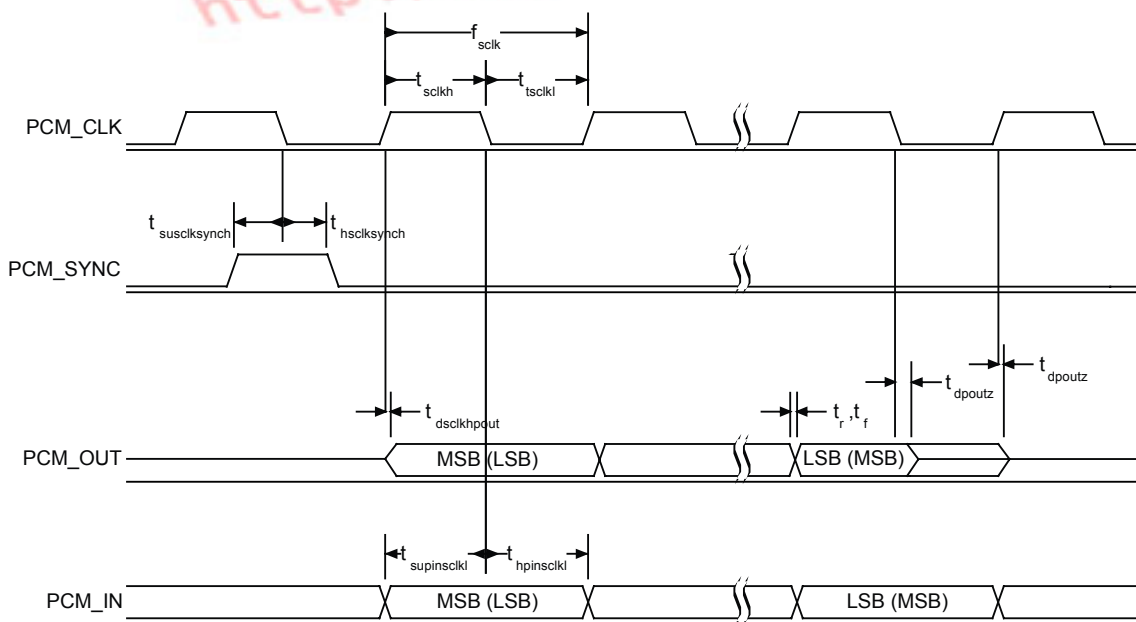


Figure 9.19: PCM Slave Timing Short Frame Sync

9.3.9 PCM_CLK and PCM_SYNC Generation

CSR8645 BGA has 2 methods of generating PCM_CLK and PCM_SYNC in master mode:

- Generating these signals by DDS from CSR8645 BGA internal 4MHz clock. Using this mode limits PCM_CLK to 128, 256 or 512kHz and PCM_SYNC to 8kHz.
- Generating these signals by DDS from an internal 48MHz clock (which enables a greater range of frequencies to be generated with low jitter but consumes more power). To select this second method set bit 48M_PCM_CLK_GEN_EN in PSKEY_PCM_CONFIG32. When in this mode and with long frame sync, the length of PCM_SYNC is either 8 or 16 cycles of PCM_CLK, determined by LONG_LENGTH_SYNC_EN in PSKEY_PCM_CONFIG32.

Equation 9.3 describes PCM_CLK frequency when generated from the internal 48MHz clock:

$$f = \frac{\text{CNT_RATE}}{\text{CNT_LIMIT}} \times 24\text{MHz}$$

Equation 9.3: PCM_CLK Frequency Generated Using the Internal 48MHz Clock

Set the frequency of PCM_SYNC relative to PCM_CLK using Equation 9.4:

$$f = \frac{\text{PCM_CLK}}{\text{SYNC_LIMIT} \times 8}$$

Equation 9.4: PCM_SYNC Frequency Relative to PCM_CLK

CNT_RATE, CNT_LIMIT and SYNC_LIMIT are set using PSKEY_PCM_USE_LOW_JITTER_MODE.

9.3.10 PCM Configuration

Configure the PCM by using PSKEY_PCM_CONFIG32 and PSKEY_PCM_USE_LOW_JITTER_MODE, see *BlueCore Audio API Specification* and the PS Key file. The default for PSKEY_PCM_CONFIG32 is 0x00800000, i.e. first slot following sync is active, 13-bit linear voice format, long frame sync and interface master generating 256kHz PCM_CLK from 4MHz internal clock with no tristate of PCM_OUT.

9.4 Digital Audio Interface (I²S)

The digital audio interface supports the industry standard formats for I²S, left-justified or right-justified. The interface shares the same pins as the PCM interface, which means each audio bus is mutually exclusive in its usage. Table 9.8 lists these alternative functions. Figure 9.20 shows the timing diagram.

PCM Interface	I ² S Interface
PCM_OUT	SD_OUT
PCM_IN	SD_IN
PCM_SYNC	WS
PCM_CLK	SCK

Table 9.8: Alternative Functions of the Digital Audio Bus Interface on the PCM Interface

Configure the digital audio interface using PSKEY_DIGITAL_AUDIO_CONFIG, see *BlueCore Audio API Specification* and the PS Key file.

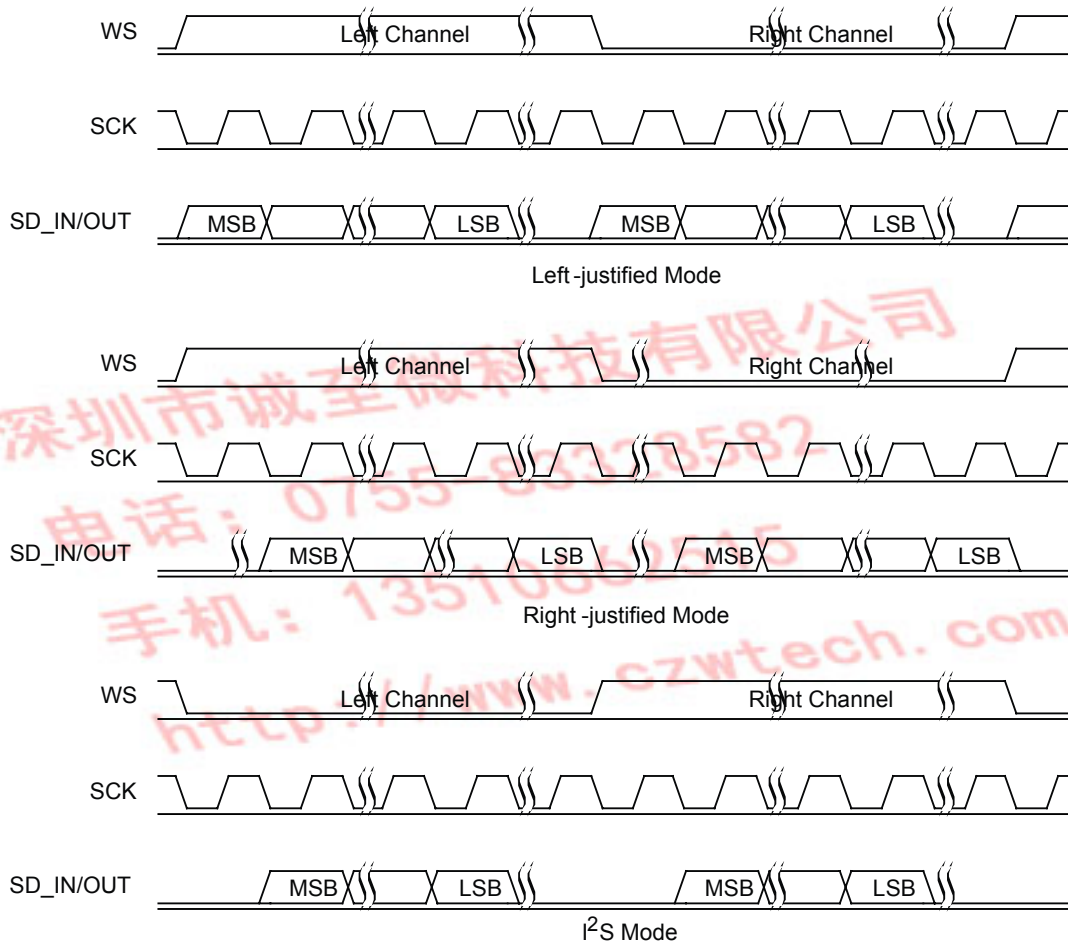


Figure 9.20: Digital Audio Interface Modes

The internal representation of audio samples within CSR8645 BGA is 16-bit and data on SD_OUT is limited to 16-bit per channel.

Symbol	Parameter	Min	Typ	Max	Unit
-	SCK Frequency	-	-	6.2	MHz
-	WS Frequency	-	-	96	kHz
t_{ch}	SCK high time	80	-	-	ns
t_{cl}	SCK low time	80	-	-	ns

Table 9.9: Digital Audio Interface Slave Timing

Symbol	Parameter	Min	Typ	Max	Unit
t_{ssu}	WS valid to SCK high set-up time	20	-	-	ns
t_{sh}	SCK high to WS invalid hold time	2.5	-	-	ns
t_{opd}	SCK low to SD_OUT valid delay time	-	-	20	ns
t_{isu}	SD_IN valid to SCK high set-up time	20	-	-	ns
t_{ih}	SCK high to SD_IN invalid hold time	2.5	-	-	ns

Table 9.10: I²S Slave Mode Timing

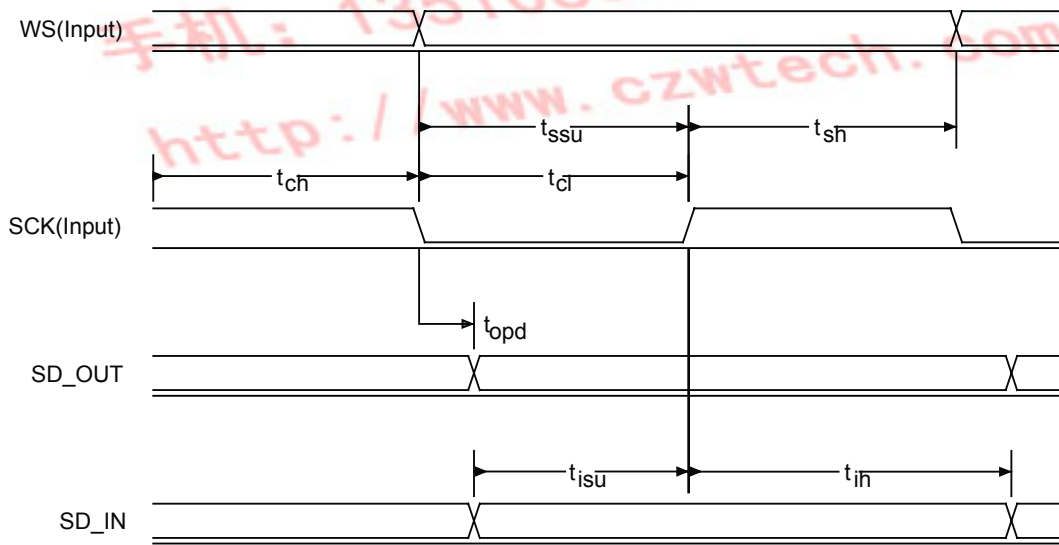


Figure 9.21: Digital Audio Interface Slave Timing

Symbol	Parameter	Min	Typ	Max	Unit
-	SCK Frequency	-	-	6.2	MHz
-	WS Frequency	-	-	96	kHz

Table 9.11: Digital Audio Interface Master Timing

Symbol	Parameter	Min	Typ	Max	Unit
t_{spd}	SCK low to WS valid delay time	-	-	39.27	ns
t_{opd}	SCK low to SD_OUT valid delay time	-	-	18.44	ns
t_{isu}	SD_IN valid to SCK high set-up time	18.44	-	-	ns
t_{ih}	SCK high to SD_IN invalid hold time	0	-	-	ns

Table 9.12: I²S Master Mode Timing Parameters, WS and SCK as Outputs

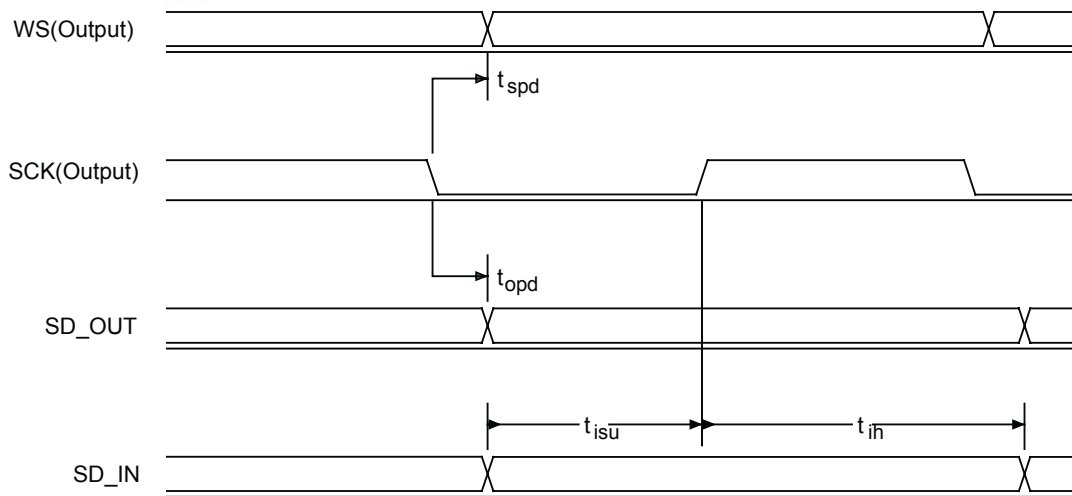


Figure 9.22: Digital Audio Interface Master Timing

10 Power Control and Regulation

For greater power efficiency the CSR8645 BGA contains 2 switch-mode regulators:

- 1 generates a 1.80V supply rail with an output current of 185mA, see Section 10.1.
- 1 generates a 1.35V supply rail with an output current of 160mA, see Section 10.2.
- Combining the 2 switch-mode regulators in parallel generates a single 1.80V supply rail with an output current of 340mA, see Section 10.3.

CSR8645 BGA contains 4 LDO linear regulators:

- 3.30V bypass regulator, see Section 10.4.
- 0.80V to 1.20V VDD_DIG linear regulator, see Section 10.5.
- 1.35V VDD_AUX linear regulator, see Section 10.6.
- 1.35V VDD_ANA linear regulator, see Section 10.7.

The recommended configurations for power control and regulation on the CSR8645 BGA are:

- 3 switch-mode configurations:
 - A 1.80V and 1.35V dual-supply rail system using the 1.80V and 1.35V switch-mode regulators, see Figure 10.1. This is the default power control and regulation configuration for the CSR8645 BGA.
 - A 1.80V single-supply rail system using the 1.80V switch-mode regulator.
 - A 1.80V parallel-supply rail system for higher currents using the 1.80V and 1.35V switch-mode regulators with combined outputs, see Figure 10.2.
- A linear configuration using an external 1.8V rail omitting all regulators

Table 10.1 shows settings for the recommended configurations for power control and regulation on the CSR8645 BGA.

Supply Configuration	Regulators				Supply Rail	
	Switch-mode		VDD_AUX Linear Regulator	VDD_ANA Linear Regulator		
	1.8V	1.35V			1.8V	1.35V
Dual-supply SMPS	ON	ON	OFF	OFF	SMPS	SMPS
Single-supply SMPS	ON	OFF	ON	ON	SMPS	LDO
Parallel-supply SMPS	ON	ON	ON	ON	SMPS	LDO
Linear supply	OFF	OFF	ON	ON	External	LDO

Table 10.1: Recommended Configurations for Power Control and Regulation

For more information on CSR8645 BGA power supply configuration see the *Configuring the Power Supplies on CSR8670* application note.

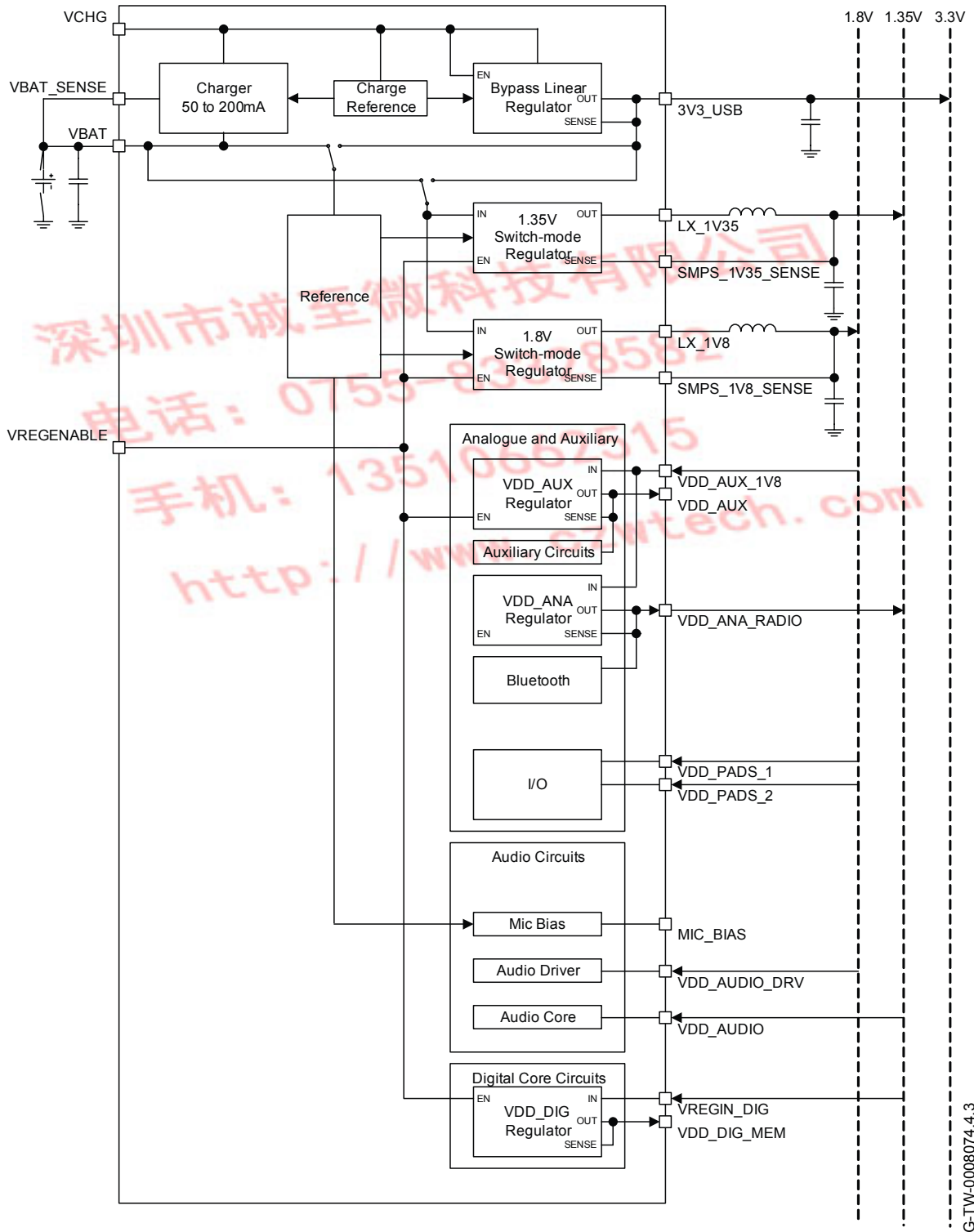
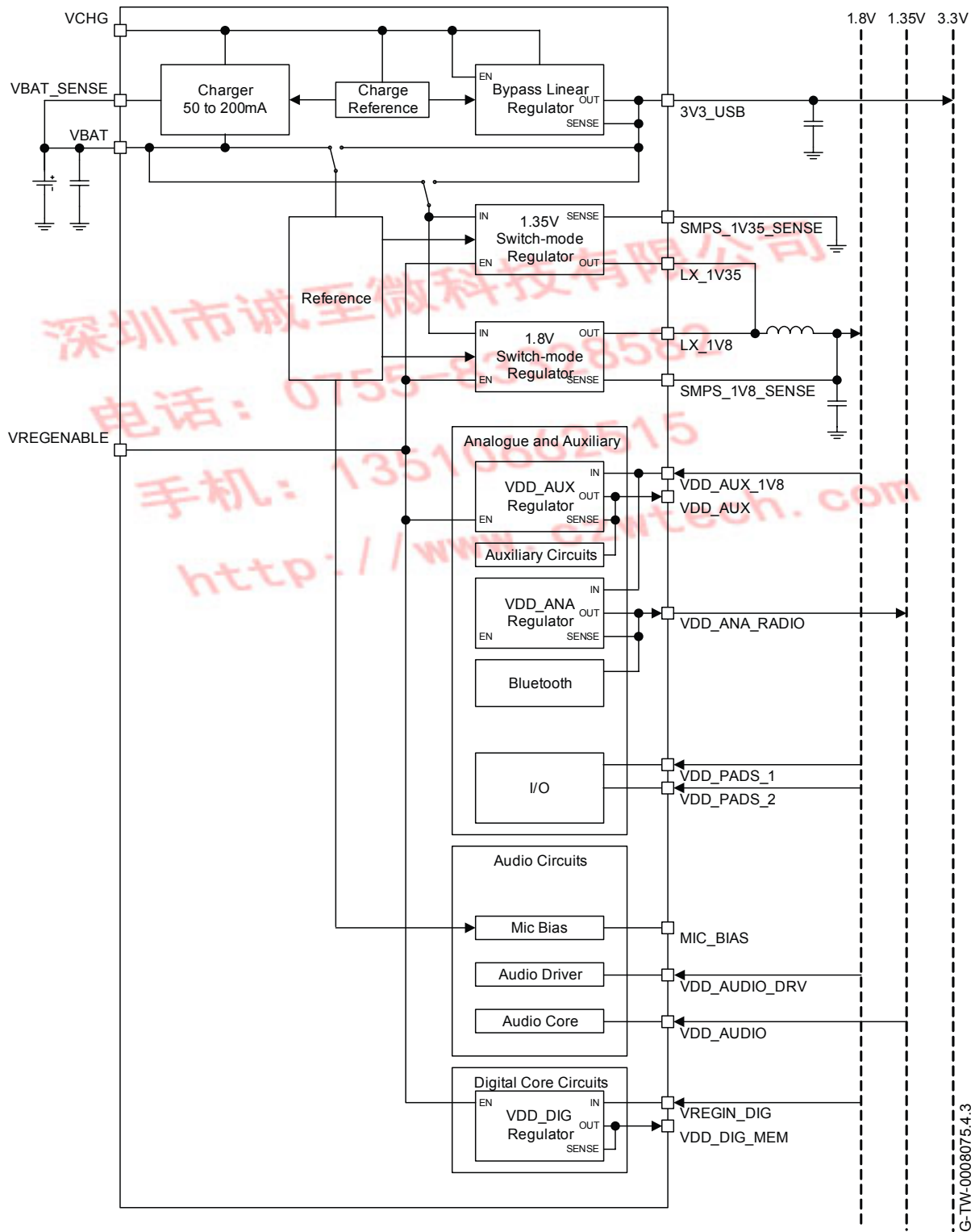


Figure 10.1: 1.80V and 1.35V Dual-supply Switch-mode System Configuration



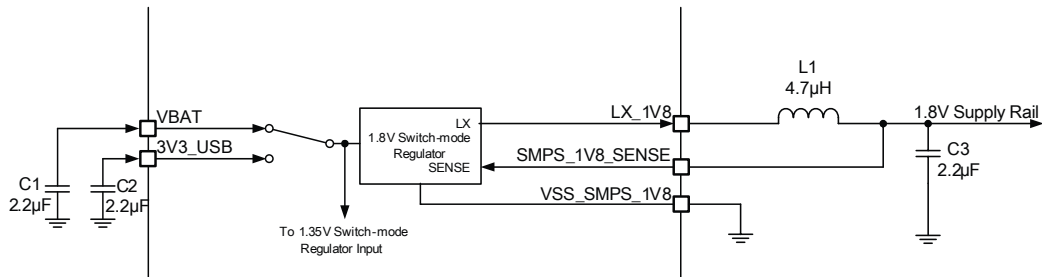
G-TW-000807.5.4.3

Figure 10.2: 1.80V Parallel-supply Switch-mode System Configuration

10.1 1.8V Switch-mode Regulator

CSR recommends using the integrated switch-mode regulator to power the 1.80V supply rail.

Figure 10.3 shows that an external LC filter circuit of a low-resistance series inductor, L1 (4.7 μ H), followed by a low ESR shunt capacitor, C3 (2.2 μ F), is required between the LX_1V8 terminal and the 1.80V supply rail. Connect the 1.80V supply rail and the VDD_AUX_1V8 pin.



G-TW-0008945.1.2

Figure 10.3: 1.8V Switch-mode Regulator Output Configuration

Minimise the series resistance of the tracks between the regulator input, VBAT and 3V3_USB, ground terminals, the filter and decoupling components, and the external voltage source to maintain high-efficiency power conversion and low supply ripple.

Ensure a solid ground plane between C1, C2, C3 and VSS_SMPS_1V8.

Also minimise the collective parasitic capacitance on the track between LX_1V8 and the inductor L1, to maximise efficiency.

For the regulator to meet the specifications in Section 14.3.1.1 requires a total resistance of <math><1.0\Omega</math> (<math><0.5\Omega</math> recommended) for the following:

- The track between the battery and VBAT.
- The track between LX_1V8 and the inductor.
- The inductor, L1, ESR.
- The track between the inductor, L1, and the sense point on the 1.80V supply rail.

The following enable the 1.80V switch-mode regulator:

- VREGENABLE pin
- The CSR8645 BGA firmware with reference to PSKEY_PSU_ENABLES
- VCHG pin

The switching frequency is adjustable by setting an offset from 4.00MHz using PSKEY_SMPS_FREQ_OFFSET, which also affects the 1.35V switch-mode regulator.

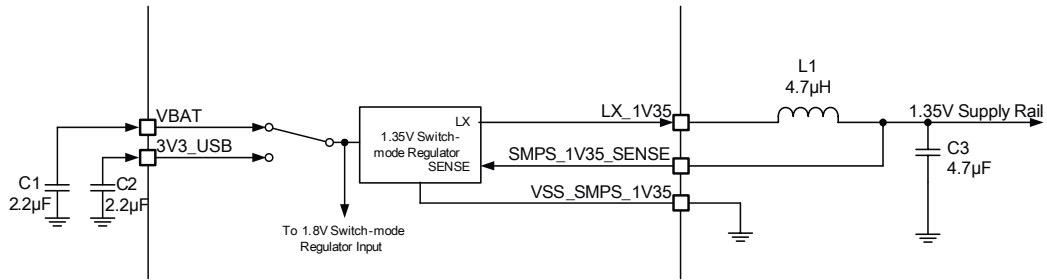
When the 1.80V switch-mode regulator is not required, leave unconnected:

- The regulator input VBAT and 3V3_USB
- The regulator output LX_1V8

10.2 1.35V Switch-mode Regulator

CSR recommends using the integrated switch-mode regulator to power the 1.35V supply rail.

Figure 10.4 shows that an external LC filter circuit of a low-resistance series inductor L1 (4.7 μ H), followed by a low ESR shunt capacitor, C3 (4.7 μ F), is required between the LX_1V35 terminal and the 1.35V supply rail. Connect the 1.35V supply rail and the SMPS_1V35_SENSE pin.



G-TW-0008946.1.2

Figure 10.4: 1.35V Switch-mode Regulator Output Configuration

Minimise the series resistance of the tracks between the regulator input, VBAT and 3V3_USB, ground terminals, the filter and decoupling components, and the external voltage source to maintain high-efficiency power conversion and low supply ripple.

Ensure a solid ground plane between C1, C2, C3 and VSS_SMPS_1V35.

Also minimise the collective parasitic capacitance on the track between LX_1V35 and the inductor L1, to maximise efficiency.

For the regulator to meet the specifications in Section 14.3.2.1 requires a total resistance of $<1.0\Omega$ ($<0.5\Omega$ recommended) for the following:

- The track between the battery and VBAT.
- The track between LX_1V8 and the inductor.
- The inductor, L1, ESR.
- The track between the inductor, L1, and the sense point on the 1.35V supply rail.

The following enable the 1.35V switch-mode regulator:

- VREGENABLE pin
- The CSR8645 BGA firmware with reference to PSKEY_PSU_ENABLES
- VCHG pin

The switching frequency is adjustable by setting an offset from 4.00MHz using PSKEY_SMPS_FREQ_OFFSET, which also affects the 1.80V switch-mode regulator.

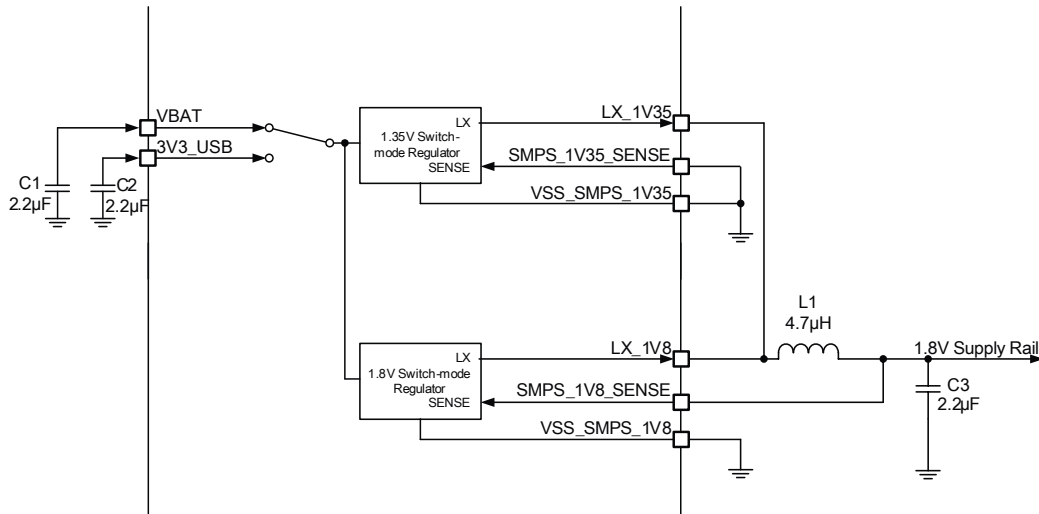
When the 1.35V switch-mode regulator is not required, leave unconnected:

- The regulator input VBAT and 3V3_USB
- The regulator output LX_1V35

10.3 1.8V and 1.35V Switch-mode Regulators Combined

For applications that require a single 1.80V supply rail with higher currents CSR recommends combining the outputs of the integrated 1.80V and 1.35V switch-mode regulators in parallel to power a single 1.80V supply rail, see Figure 10.5.

Figure 10.5 shows that an external LC filter circuit of a low-resistance series inductor L1 (4.7µH), followed by a low ESR shunt capacitor, C3 (2.2µF), is required between the LX_1V8 terminal and the 1.80V supply rail. Connect the 1.80V supply rail and the VDD_AUX_1V8 pin and ground the SMPS_1V35_SENSE pin.



G-TW-0008947.1.2

Figure 10.5: 1.8V and 1.35V Switch-mode Regulators Outputs Parallel Configuration

Minimise the series resistance of the tracks between the regulator input VBAT and 3V3_USB, ground terminals, the filter and decoupling components, and the external voltage source to maintain high-efficiency power conversion and low supply ripple.

Ensure a solid ground plane between C1, C2, C3, VSS_SMPS_1V8 and VSS_SMPS_1V35.

Also minimise the collective parasitic capacitance on the track between LX_1V8, LX_1V35 and the inductor L1, to maximise efficiency.

For the regulator to meet the specifications in Section 14.3.1.2 requires a total resistance of $<1.0\Omega$ ($<0.5\Omega$ recommended) for the following:

- The track between the battery and VBAT.
- The track between LX_1V8, LX_1V35 and the inductor.
- The inductor L1, ESR.
- The track between the inductor, L1, and the sense point on the 1.80V supply rail.

The following enable the 1.80V switch-mode regulator:

- VREGENABLE pin
- The CSR8645 BGA firmware with reference to PSKEY_PSU_ENABLES
- VCHG pin

The switching frequency is adjustable by setting an offset from 4.00MHz using PSKEY_SMPS_FREQ_OFFSET.

When the 1.80V switch-mode regulator is not required, leave unconnected:

- The regulator input VBAT and 3V3_USB
- The regulator output LX_1V8

10.4 Bypass LDO Linear Regulator

The integrated bypass LDO linear regulator is available as a 3.30V supply rail and is an alternative supply rail to the battery supply. This is especially useful when the battery has no charge and the CSR8645 BGA needs to power up. The input voltage should be between 4.75 / 3.10V and 5.25V.

Note:

The integrated bypass LDO linear regulator can operate down to 3.0V with a reduced performance.

Externally decouple the output of this regulator using a low ESR MLC capacitor of a minimum 2.2 μ F to the 3V3_USB pin.

The output voltage is switched on when VCHG gets above 3.0V.

10.5 Low-voltage VDD_DIG Linear Regulator

The integrated low-voltage VDD_DIG linear regulator powers the digital circuits on CSR8645 BGA. Externally decouple the output of this regulator using a low ESR MLC capacitor of 470nF.

10.6 Low-voltage VDD_AUX Linear Regulator

The integrated low-voltage VDD_AUX linear regulator is optionally available to provide a 1.35V auxiliary supply rail when the 1.35V switch-mode regulator is not used. When using the integrated low-voltage VDD_AUX linear regulator, externally decouple the output of this regulator using a low ESR MLC capacitor of a minimum 470nF to the VDD_AUX pin.

10.7 Low-voltage VDD_ANA Linear Regulator

The integrated low-voltage VDD_ANA linear regulator is optionally available to power the 1.35V analogue supply rail when the 1.35V switch-mode regulator is not used. When using the integrated low-voltage VDD_ANA linear regulator, externally decouple the output of this regulator using a 2.2 μ F low ESR MLC capacitor to the VDD_ANA_RADIO pin.

10.8 Voltage Regulator Enable

When using the integrated regulators the voltage regulator enable pin, VREGENABLE, enables the CSR8645 BGA and the following regulators:

- 1.8V switch-mode regulator
- 1.35V switch-mode regulator
- Low-voltage VDD_DIG linear regulator
- Low-voltage VDD_AUX linear regulator

The VREGENABLE pin is active high, with a weak pull-down.

CSR8645 BGA boots-up when the voltage regulator enable pin is pulled high, enabling the regulators. The firmware then latches the regulators on. The voltage regulator enable pin can then be released.

The status of the VREGENABLE pin is available to firmware through an internal connection. VREGENABLE also works as an input line.

Note:

VREGENABLE should be asserted after the VBAT supply when VREGENABLE is not used as a power-on button.

10.9 External Regulators and Power Sequencing

CSR recommends that the integrated regulators supply the CSR8645 BGA and it is configured based on the information in this data sheet.

If any of the supply rails for the CSR8645 BGA are supplied from an external regulator, then it should match or be better than the internal regulator available on CSR8645 BGA. For more information see regulator characteristics in Section 14.

Note:

The internal regulators described in Section 10.1 to Section 10.7 are not recommended for external circuitry other than that shown in Section 12.

For information about power sequencing of external regulators to supply the CSR8645 BGA contact CSR.

10.10 Reset, RST#

CSR8645 BGA is reset from several sources:

- RST# pin
- Power-on reset
- USB charger attach reset
- Software configured watchdog timer

The RST# pin is an active low reset and is internally filtered using the internal low frequency clock oscillator. CSR recommends applying RST# for a period >5ms.

At reset the digital I/O pins are set to inputs for bidirectional pins and outputs are set to tristate.

10.10.1 Digital Pin States on Reset

Table 10.2 shows the pin states of CSR8645 BGA on reset.

Pin Name	I/O Type	Full Chip Reset	Pin Name	I/O Type	Full Chip Reset
USB_DP	Digital bidirectional	N/A	PIO[10]	Digital bidirectional	PDS
USB_DN	Digital bidirectional	N/A	PIO[11]	Digital bidirectional	PDS
PIO[0]	Digital bidirectional	PUS	PIO[12]	Digital bidirectional	PUS
PIO[1]	Digital bidirectional	PUS	PIO[13]	Digital bidirectional	PDS
PIO[2]	Digital bidirectional	PDW	PIO[14]	Digital bidirectional	PUS
PIO[3]	Digital bidirectional	PDW	PIO[15]	Digital bidirectional	PUS
PIO[4]	Digital bidirectional	PDW	PIO[16]	Digital bidirectional	PUS
PIO[5]	Digital bidirectional	PDW	PIO[17]	Digital bidirectional	PDS
PIO[6]	Digital bidirectional	PDS	PIO[18]	Digital bidirectional	PDW
PIO[7]	Digital bidirectional	PDS	PIO[19]	Digital bidirectional	PDW
PIO[8]	Digital bidirectional	PUS	PIO[20]	Digital bidirectional	PDW
PIO[9]	Digital bidirectional	PDS	PIO[21]	Digital bidirectional	PDW

Table 10.2: Pin States on Reset

Note:

PUS = Strong pull-up

PDS = Strong pull-down

PUW = Weak pull-up

PDW = Weak pull-down

10.10.2 Status After Reset

The status of CSR8645 BGA after a reset is:

- Warm reset: baud rate and RAM data remain available
- Cold reset: baud rate and RAM data not available

10.11 Automatic Reset Protection

CSR8645 BGA includes an automatic reset protection circuit which restarts/resets CSR8645 BGA when an unexpected reset occurs, e.g. ESD strike or lowering of RST#. The automatic reset protection circuit enables resets from the VM without the requirement for external circuitry.

Note:

The reset protection is cleared after typically 2s (1.6s min to 2.4s max).

If RST# is held low for >2.4s CSR8645 BGA turns off. A rising edge on VREGENABLE or VCHG is required to power on CSR8645 BGA.

深圳市城至微科技有限公司
电话: 0755-83328582
手机: 13510662515
<http://www.czwtech.com>

11 Battery Charger

11.1 Battery Charger Hardware Operating Modes

The battery charger hardware is controlled by the VM, see Section 11.3. The battery charger has 5 modes:

- Disabled
- Trickle charge
- Fast charge
- Standby: fully charged or float charge
- Error: charging input voltage, VCHG, is too low

The battery charger operating mode is determined by the battery voltage and current, see Table 11.1 and Figure 11.1.

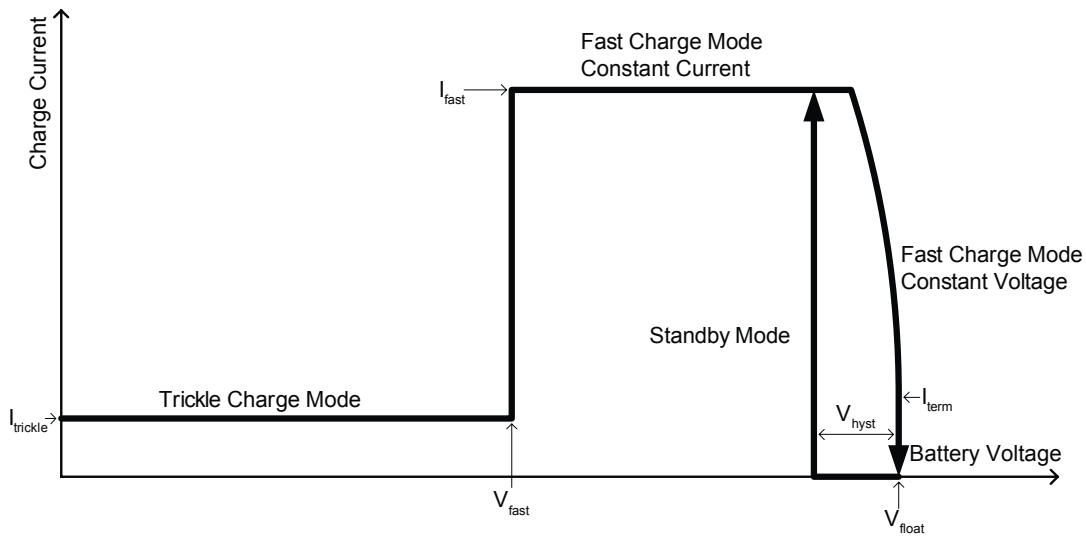
The internal charger circuit can provide up to 200mA of charge current, for currents higher than this the CSR8645 BGA can control an external pass transistor, see Section 11.5.

Mode	Battery Charger Enabled	VBAT_SENSE
Disabled	No	X
Trickle charge	Yes	>0 and $<V_{fast}$
Fast charge	Yes	$>V_{fast}$ and $<V_{float}$
Standby	Yes	$I_{term}^{(a)}$ and $>(V_{float} - V_{hyst})$
Error	Yes	$>(VCHG - 50mV)$

Table 11.1: Battery Charger Operating Modes Determined by Battery Voltage and Current

^(a) I_{term} is approximately 10% of I_{fast} for a given I_{fast} setting

Figure 11.1 shows the mode-to-mode transition voltages. These voltages are fixed and calibrated by CSR, see Section 11.2. The transition between modes can occur at any time.



G-TW-0005583.3.2

Figure 11.1: Battery Charger Mode-to-Mode Transition Diagram

Note:

The battery voltage remains constant in Fast Charge Constant Voltage Mode, the curved line on Figure 11.1 is for clarity only.

11.1.1 Disabled Mode

In the disabled mode the battery charger is fully disabled and draws no active current on any of its terminals.

11.1.2 Trickle Charge Mode

In the trickle charge mode, when the voltage on VBAT_SENSE is lower than the V_{fast} threshold, a current of approximately 10% of the fast charge current, I_{fast} , is sourced from the VBAT pin.

The V_{fast} threshold detection has hysteresis to prevent the charger from oscillating between modes.

11.1.3 Fast Charge Mode

When the voltage on VBAT_SENSE is greater than V_{fast} , the current sourced from the VBAT pin increases to I_{fast} . I_{fast} is between 10mA and 200mA set by PS Key or a VM trap. In addition, I_{fast} is calibrated in production test to correct for process variation in the charger circuit.

The current is held constant at I_{fast} until the voltage at VBAT_SENSE reaches V_{float} , then the charger reduces the current sourced to maintain a constant voltage on the VBAT_SENSE pin.

When the current sourced is below the termination current, I_{term} , the charging stops and the charger enters standby mode. I_{term} is typically 10% of the fast charge current.

11.1.4 Standby Mode

When the battery is fully charged, the charger enters standby mode, and battery charging stops. The battery voltage on the VBAT_SENSE pin is monitored, and when it drops below a threshold set at V_{hyst} below the final charging voltage, V_{float} , the charger re-enters fast charge mode.

11.1.5 Error Mode

The charger enters the error mode if the voltage on the VCHG pin is too low to operate the charger correctly (VBAT_SENSE is greater than VCHG - 50mV (typical)).

In this mode, charging is stopped. The battery charger does not require a reset to resume normal operation.

11.2 Battery Charger Trimming and Calibration

The battery charger default trim values are written by CSR into internal ROM when each IC is characterised. CSR provides various PS Keys for overriding the default trims, see Section 11.4.

11.3 VM Battery Charger Control

The VM charger code has overall supervisory control of the battery charger and is responsible for:

- Responding to charger power connection/disconnection events
- Monitoring the temperature of the battery
- Monitoring the temperature of the die to protect against silicon damage
- Monitoring the time spent in the various charge states
- Enabling/disabling the charger circuitry based on the monitored information
- Driving the user visible charger status LED(s)

11.4 Battery Charger Firmware and PS Keys

The battery charger firmware sets up the charger hardware based on the PS Key settings and call traps from the VM charger code. It also performs the initial analogue trimming. Settings for the charger current depend on the battery capacity and type, which are set by the user in the PS Keys.

For more information on the CSR8645 BGA, including details on setting up, calibrating, trimming and the PS Keys, see *Lithium Polymer Battery Charger Calibration and Operation for CSR8670* application note.

11.5 External Mode

The external mode is for charging higher capacity batteries using an external pass device. The current is controlled by sinking a varying current into the CHG_EXT pin, and the current is determined by measuring the voltage drop across a resistor, R_{sense} , connected in series with the external pass device, see Figure 11.2. The voltage drop is determined by looking at the difference between the VBAT_SENSE and VBAT pins. The voltage drop across R_{sense} is typically 200mV. The value of the external series resistor determines the charger current. This current can be trimmed with a PS Key.

In Figure 11.2, R1 (220m Ω) and C1 (4.7 μ F) form an RC snubber that is required to maintain stability across all battery ESRs. The battery ESR must be <1.0 Ω .

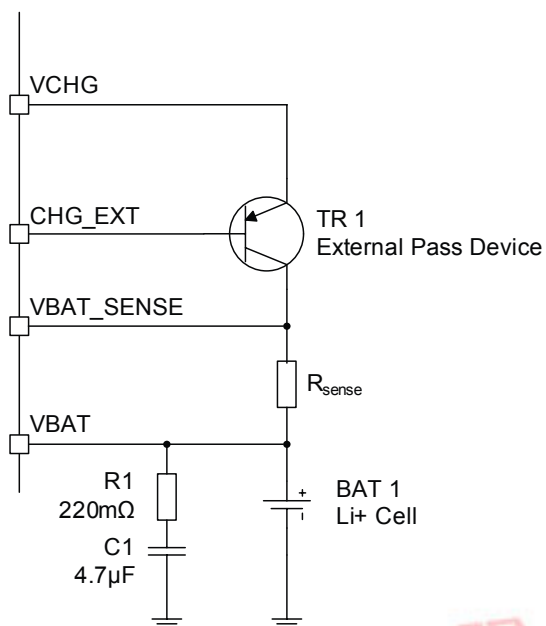


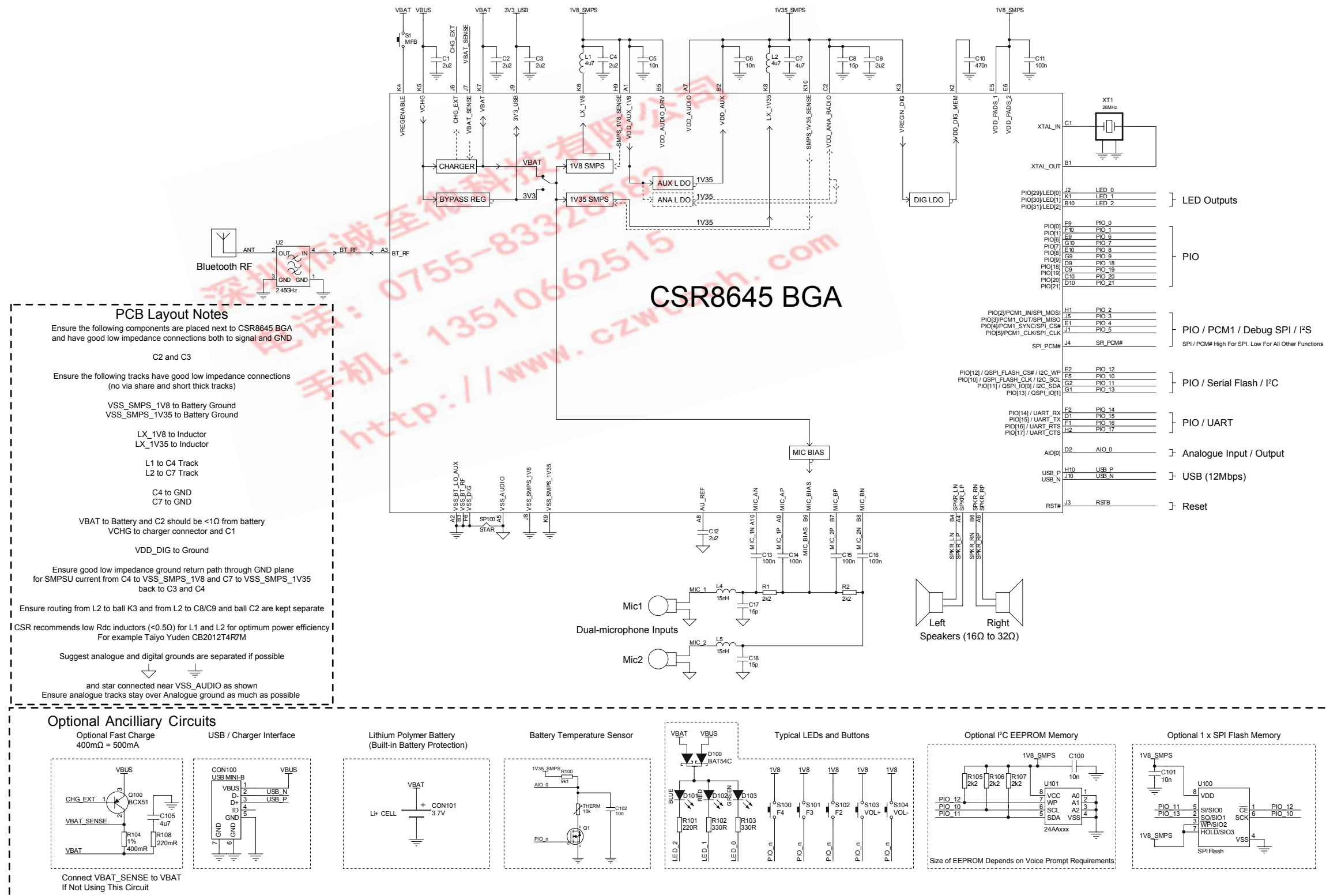
Figure 11.2: Battery Charger External Mode Typical Configuration

深圳市诚至微科技有限公司
 电话: 0755-83328582
 手机: 13510662515
<http://www.czwtech.com>

G-TW-0005585.2.3

CSR8645 BGA Data Sheet

12 Example Application Schematic



13 Example Application Using Different Power Supply Configurations

Single 1.8V Only Supply. No USB, No Switch-mode.

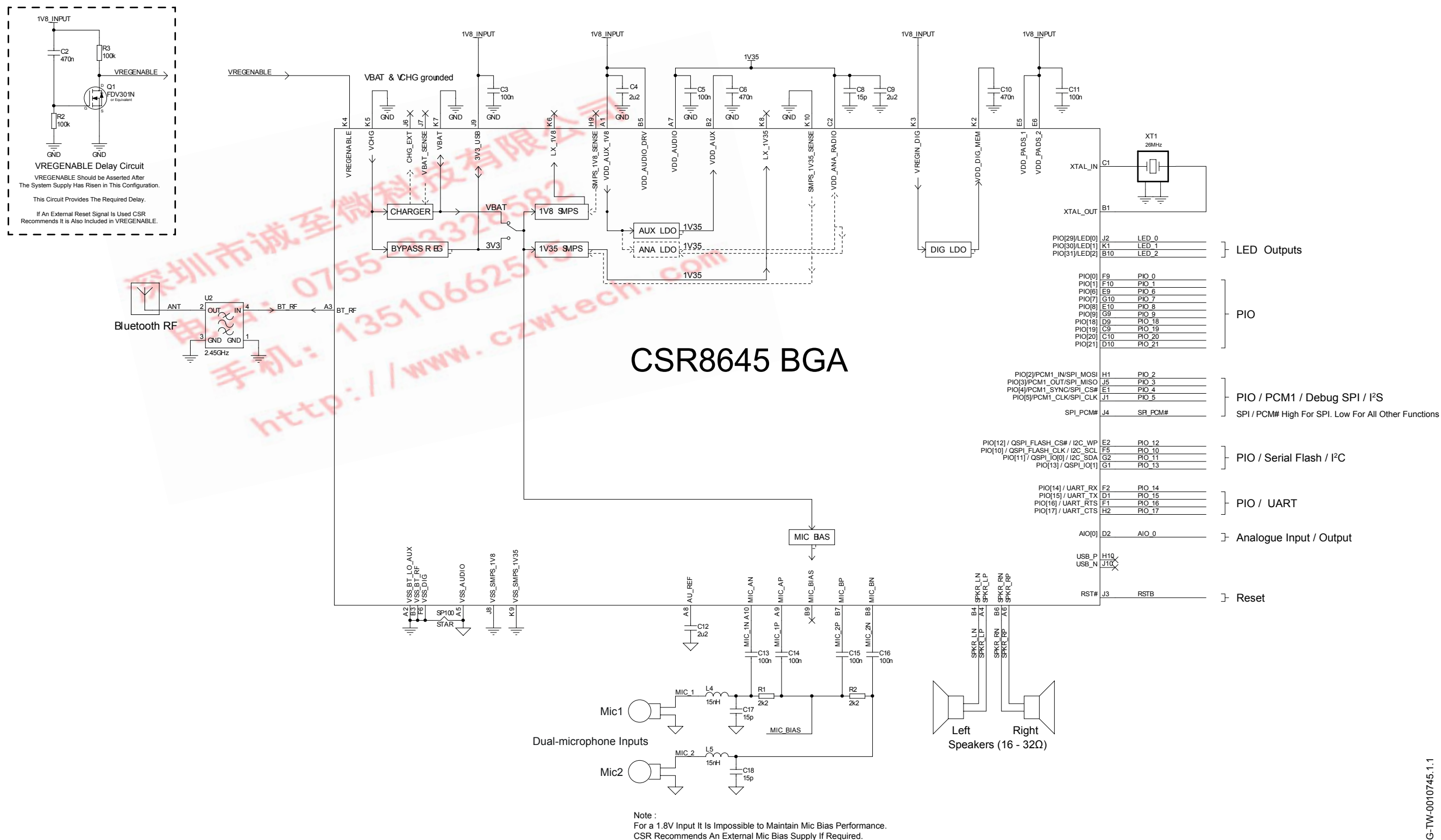


Figure 13.1: External 1.8V Supply Example Application

Single 3.3V Only Supply. USB, Dual Switch-mode.

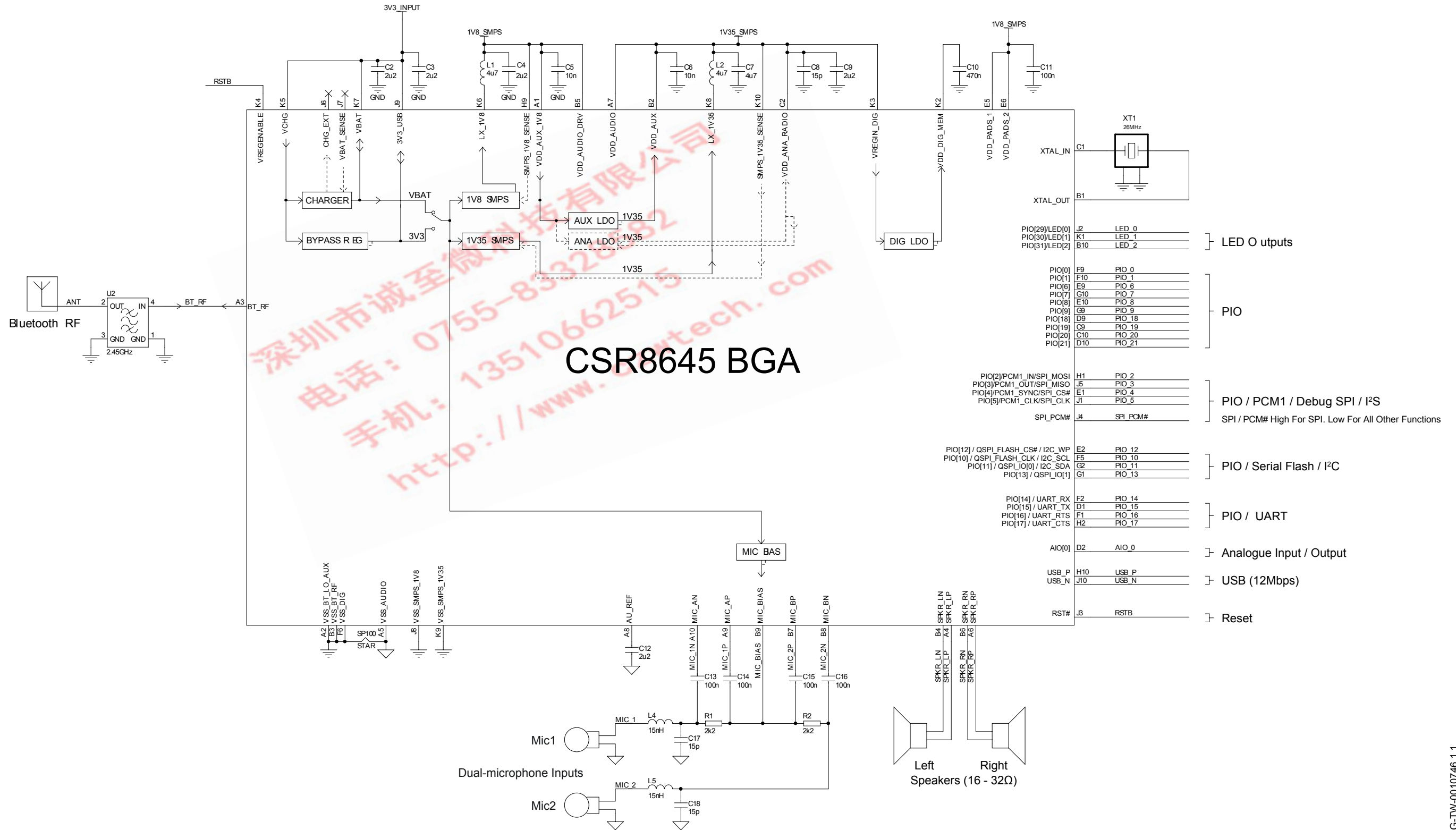


Figure 13.2: External 3.3V Supply Example Application

USB Audio Dongle. Single Ganged, 1.8V Switch-mode.

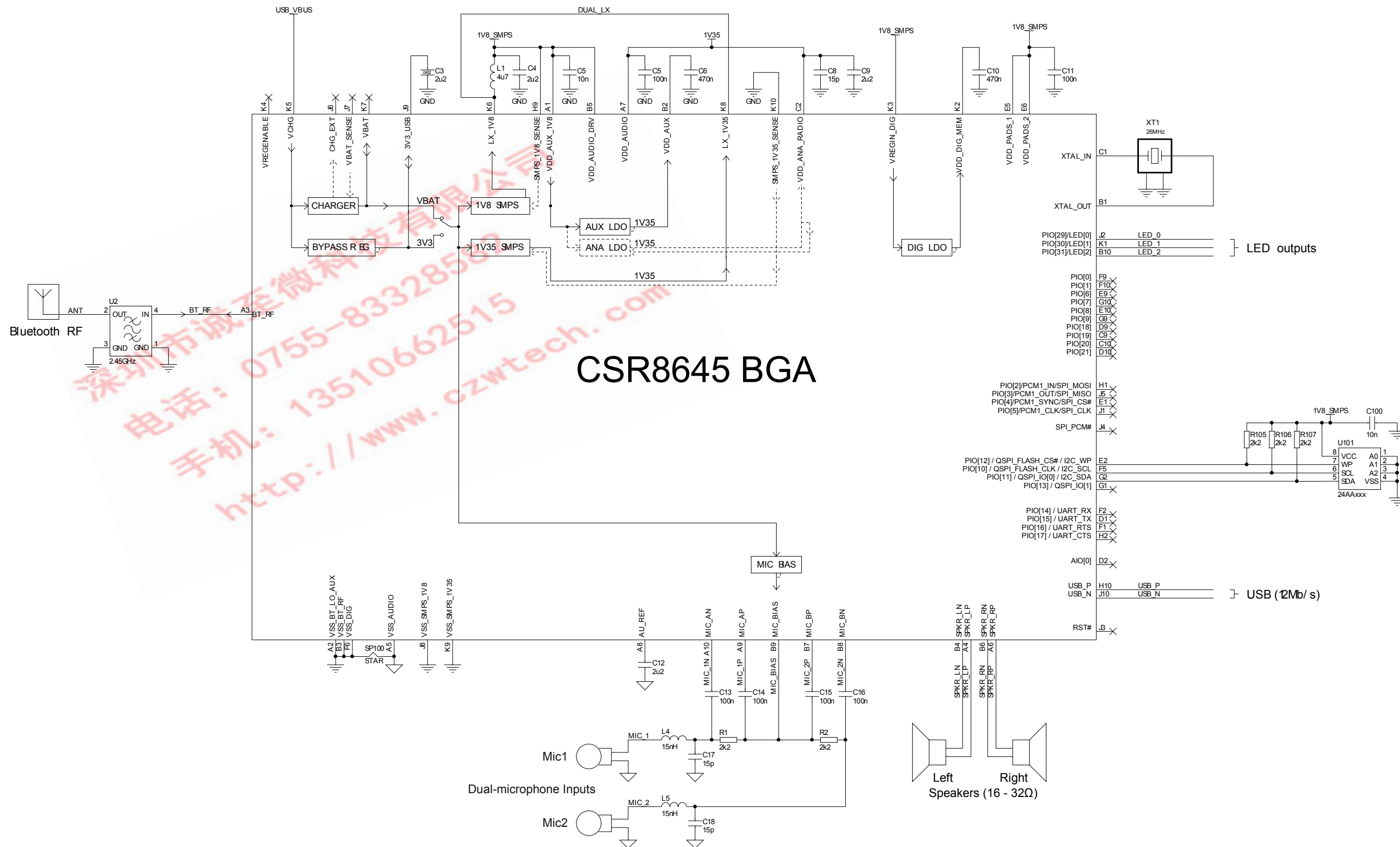


Figure 13.3: USB Audio Dongle Example Application

14 Electrical Characteristics

14.1 Absolute Maximum Ratings

Rating		Min	Max	Unit
Storage temperature		-40	105	°C
Supply Voltage				
Charger	VCHG	-0.4	5.75	V
LEDs	LED[2:0]	-0.4	4.40	V
Battery	VBAT_SENSE	-0.4	4.20	V
	VREGENABLE	-0.4	4.40	V
1.8V	VDD_AUDIO_DRV	-0.4	1.95	V
	VDD_AUX_1V8	-0.4	1.95	V
	VDD_PADS_1	-0.4	3.60	V
	VDD_PADS_2	-0.4	3.60	V
	VDD_AUX_1V8	-0.4	1.95	V
1.35V	SMPS_1V35_SENSE	-0.4	1.45	V
	VDD_AUDIO	-0.4	1.45	V
	VREGIN_DIG	-0.4	1.95	V
Other terminal voltages		VSS - 0.4	VDD + 0.4	V

14.2 Recommended Operating Conditions

Rating		Min	Typ	Max	Unit
Operating temperature range		-40	20	85	°C
Supply Voltage					
Charger	VCHG	4.75 / 3.10	5.00	5.75	V
LEDs	LED[2:0]	1.10	3.70	4.25	V
Battery	VBAT_SENSE	0	3.70	4.30	V
	VREGENABLE	0	3.70	4.25	V
1.8V	VDD_AUDIO_DRV	1.70	1.80	1.95	V
	VDD_AUX_1V8	1.70	1.80	1.95	V
	VDD_PADS_1	1.70	1.80	3.60	V
	VDD_PADS_2	1.70	1.80	3.60	V
	VDD_AUX_1V8	1.25	1.80	1.95	V
1.35V	SMPS_1V35_SENSE	1.30	1.35	1.40	V
	VDD_AUDIO	1.30	1.35	1.40	V
	VREGIN_DIG	1.30	1.35 or 1.80	1.95	V

深圳市诚至微科技有限公司
 电话: 0755-83328582
 手机: 13510662515
<http://www.czwtech.com>

14.3 Input/Output Terminal Characteristics

Note:

For all I/O terminal characteristics:

- Current drawn into a pin is defined as positive; current supplied out of a pin is defined as negative.

14.3.1 Regulators: Available For External Use

14.3.1.1 1.8V Switch-mode Regulator

1.8V Switch-mode Regulator	Min	Typ	Max	Unit
Input voltage	2.80	3.70	4.25	V
Output voltage	1.70	1.80	1.90	V
Normal Operation				
Transient settling time	-	30	-	μs
Load current	-	-	185	mA
Current available for external use, audio with 16Ω load ^(a)	-	-	25	mA
Peak conversion efficiency ^(b)	-	90	-	%
Switching frequency	3.63	4.00	4.00	MHz
Inductor saturation current, audio and 16Ω load	250	-	-	mA
Inductor ESR	0.1	0.3	0.8	Ω
Low-power Mode, Automatically Entered in Deep Sleep				
Transient settling time	-	200	-	μs
Load current	0.005	-	5	mA
Current available for external use	-	-	5	mA
Peak conversion efficiency	-	85	-	%
Switching frequency	100	-	200	kHz

^(a) More current available for audio loads above 16Ω.

^(b) Conversion efficiency depends on inductor selection.

14.3.1.2 Combined 1.8V and 1.35V Switch-mode Regulator

Combined 1.8V and 1.35V Switch-mode Regulator	Min	Typ	Max	Unit
Input voltage	2.80	3.60	4.25	V
Output voltage	1.70	1.80	1.90	V
Normal Operation				
Transient settling time	-	30	-	μs
Load current	-	-	340	mA
Current available for external use, audio with 16Ω load ^(a)	-	-	25	mA
Peak conversion efficiency ^(b)	-	90	-	%
Switching frequency	3.63	4.00	4.00	MHz
Inductor saturation current, audio and 16Ω load	400	-	-	mA
Inductor ESR	0.1	0.3	0.8	Ω
Low-power Mode, Automatically Entered in Deep Sleep				
Transient settling time	-	200	-	μs
Load current	0.005	-	5	mA
Current available for external use	-	-	5	mA
Peak conversion efficiency	-	85	-	%
Switching frequency	100	-	200	kHz

^(a) More current available for audio loads above 16Ω.

^(b) Conversion efficiency depends on inductor selection.

14.3.1.3 Bypass LDO Regulator

Normal Operation	Min	Typ	Max	Unit
Input voltage ^(a)	4.75 / 3.10	5.00	5.25	V
Output voltage ($V_{in} > 4.75V$)	3.00	3.30	3.60	V
Output current ($V_{in} > 4.75V$)	-	-	250	mA

^(a) Minimum input voltage of 4.75V is required for full specification, regulator operates at reduced load current from 3.1V.

14.3.2 Regulators: For Internal Use Only

14.3.2.1 1.35V Switch-mode Regulator

1.35V Switch-mode Regulator	Min	Typ	Max	Unit
Input voltage	2.80	3.60	4.25	V
Output voltage	1.30	1.35	1.40	V
Normal Operation				
Transient settling time	-	30	-	μs
Load current	-	-	160	mA
Current available for external use	-	-	0	mA
Peak conversion efficiency ^(a)	-	88	-	%
Switching frequency	3.63	4.00	4.00	MHz
Inductor saturation current, audio and 16 Ω load	220	-	-	mA
Inductor ESR	0.1	0.3	0.8	Ω
Low-power Mode, Automatically Entered in Deep Sleep				
Transient settling time	-	200	-	μs
Load current	0.005	-	5	mA
Current available for external use	-	-	0	mA
Peak conversion efficiency	-	85	-	%
Switching frequency	100	-	200	kHz

^(a) Conversion efficiency depends on inductor selection.

14.3.2.2 Low-voltage VDD_DIG Linear Regulator

Normal Operation	Min	Typ	Max	Unit
Input voltage	1.30	1.35 or 1.80	1.95	V
Output voltage ^(a)	0.80	0.90 / 1.20	1.25	V
Internal load current	-	-	80	mA

^(a) Output voltage level is software controlled

14.3.2.3 Low-voltage VDD_AUX Linear Regulator

Normal Operation	Min	Typ	Max	Unit
Input voltage	1.70	1.80	1.95	V
Output voltage	1.30	1.35	1.45	V
Internal load current	-	-	5	mA

14.3.2.4 Low-voltage VDD_ANA Linear Regulator

Normal Operation	Min	Typ	Max	Unit
Input voltage	1.70	1.80	1.95	V
Output voltage	1.30	1.35	1.45	V
Load current	-	-	60	mA

14.3.3 Regulator Enable

VREGENABLE, Switching Threshold	Min	Typ	Max	Unit
Rising threshold	1.0	-	-	V

14.3.4 Battery Charger

Battery Charger	Min	Typ	Max	Unit
Input voltage, VCHG ^(a)	4.75 / 3.10	5.00	5.75	V

^(a) Reduced specification from 3.1V to 4.75V. Full specification >4.75V.

Trickle Charge Mode	Min	Typ	Max	Unit
Charge current I_{trickle} , as percentage of fast charge current	8	10	12	%
V_{fast} rising threshold	-	2.9	-	V
V_{fast} rising threshold trim step size	-	0.1	-	V
V_{fast} falling threshold	-	2.8	-	V

Fast Charge Mode		Min	Typ	Max	Unit
Charge current during constant current mode, I_{fast}	Maximum charge setting (VCHG-VBAT > 0.55V)	194	200	206	mA
	Minimum charge setting (VCHG-VBAT > 0.55V)	-	10	-	mA
Reduced headroom charge current, as a percentage of I_{fast}	(VCHG-VBAT < 0.55V)	50	-	100	%
Charge current step size		-	10	-	mA
V_{float} threshold, calibrated		4.16	4.20	4.24	V
Charge termination current I_{term} , as percentage of I_{fast}		7	10	20	%

Standby Mode	Min	Typ	Max	Unit
Voltage hysteresis on VBAT, V_{hyst}	100	-	150	mV

Error Charge Mode	Min	Typ	Max	Unit
Headroom ^(a) error falling threshold	-	50	-	mV

^(a) Headroom = VCHG - VBAT

External Charge Mode ^(a)	Min	Typ	Max	Unit
Fast charge current, I_{fast}	200	-	500	mA
Control current into CHG_EXT	0	-	20	mA
Voltage on CHG_EXT	0	-	5.75	V
External pass device h_{fe}	-	50	-	-
Sense voltage, between VBAT_SENSE and VBAT at maximum current	195	200	205	mV

^(a) In the external mode, the battery charger meets all the previous charger electrical characteristics and the additional or superseded electrical characteristics are listed in this table.

14.3.5 USB

	Min	Typ	Max	Unit
3V3_USB for correct USB operation	3.1	3.3	3.6	V
Input Threshold				
V_{IL} input logic level low	-	-	0.3 x 3V3_USB	V
V_{IH} input logic level high	0.7 x 3V3_USB	-	-	V
Output Voltage Levels to Correctly Terminated USB Cable				
V_{OL} output logic level low	0	-	0.2	V
V_{OH} output logic level high	2.8	-	3V3_USB	V

14.3.6 Clocks

Crystal Oscillator	Min	Typ	Max	Unit
Frequency	16	26	32	MHz
Crystal load capacitance	-	9	-	pF
Frequency stability	-	-	20	ppm
Frequency tolerance	-	-	±20	ppm
Transconductance	2	-	-	mS

14.3.7 Stereo Codec: Analogue to Digital Converter

Analogue to Digital Converter						
Parameter	Conditions	Min	Typ	Max	Unit	
Resolution	-	-	-	16	Bits	
Input Sample Rate, F_{sample}	-	8	-	48	kHz	
SNR	$f_{\text{in}} = 1\text{kHz}$ $B/W = 20\text{Hz} \rightarrow F_{\text{sample}}/2$ (20kHz max) A-Weighted $\text{THD+N} < 0.1\%$ $1.6V_{\text{pk-pk}}$ input	F_{sample}				
		8kHz	-	93.5	-	dB
		16kHz	-	92.5	-	dB
		32kHz	-	91.4	-	dB
		44.1kHz	-	90.4	-	dB
THD+N	$f_{\text{in}} = 1\text{kHz}$ $B/W = 20\text{Hz} \rightarrow F_{\text{sample}}/2$ (20kHz max) $1.6V_{\text{pk-pk}}$ input	F_{sample}				
		8kHz	-	0.0041	-	%
		48kHz	-	0.0072	-	%
Digital gain	Digital gain resolution = 1/32	-24	-	21.5	dB	
Analogue gain	Pre-amplifier setting = 0dB, 9dB, 21dB or 30dB Analogue setting = -3dB to 12dB in 3dB steps	-3	-	42	dB	
Stereo separation (crosstalk)		-	-88.5	-	dB	

14.3.8 Stereo Codec: Digital to Analogue Converter

Digital to Analogue Converter							
Parameter	Conditions	Min	Typ	Max	Unit		
Resolution	-	-	-	16	Bits		
Output Sample Rate, F_{sample}	-	8	-	96	kHz		
SNR	$f_{\text{in}} = 1\text{kHz}$ B/W = 20Hz→20kHz A-Weighted THD+N < 0.1% 0dBFS input	F_{sample}	Load				
		48kHz	100k Ω	-	95.6	-	dB
		48kHz	32 Ω	-	95.8	-	dB
		48kHz	16 Ω	-	95.6	-	dB
THD+N	$f_{\text{in}} = 1\text{kHz}$ B/W = 20Hz→20kHz 0dBFS input	F_{sample}	Load				
		8kHz	100k Ω	-	0.0025	-	%
		8kHz	32 Ω	-	0.0056	-	%
		8kHz	16 Ω	-	0.0108	-	%
		48kHz	100k Ω	-	0.0027	-	%
		48kHz	32 Ω	-	0.0067	-	%
		48kHz	16 Ω	-	0.0122	-	%
Digital Gain	Digital Gain Resolution = 1/32	-24	-	21.5	dB		
Analogue Gain	Analogue Gain Resolution = 3dB	-21	-	0	dB		
Stereo separation (crosstalk)		-	-87.5	-	dB		

14.3.9 Digital

Digital Terminals	Min	Typ	Max	Unit
Input Voltage				
V _{IL} input logic level low	-0.4	-	0.4	V
V _{IH} input logic level high	0.7 x VDD	-	VDD + 0.4	V
Tr/Tf	-	-	25	ns
Output Voltage				
V _{OL} output logic level low, I _{OL} = 4.0mA	-	-	0.4	V
V _{OH} output logic level high, I _{OH} = -4.0mA	0.75 X VDD	-	-	V
Tr/Tf	-	-	5	ns
Input and Tristate Currents				
Strong pull-up	-150	-40	-10	μA
Strong pull-down	10	40	150	μA
Weak pull-up	-5	-1.0	-0.33	μA
Weak pull-down	0.33	1.0	5.0	μA
C _I Input Capacitance	1.0	-	5.0	pF

14.3.10 LED Driver Pads

LED Driver Pads		Min	Typ	Max	Unit
Current, I_{PAD}	High impedance state	-	-	5	μA
	Current sink state	-	-	10	mA
LED pad voltage, V_{PAD}	$I_{PAD} = 10mA$	-	-	0.55	V
LED pad resistance	$V_{PAD} < 0.5V$	-	-	40	Ω
V_{OL} output logic level low ^(a)		-	0	-	V
V_{OH} output logic level high ^(a)		-	0.8	-	V
V_{IL} input logic level low		-	0	-	V
V_{IH} input logic level high		-	0.8	-	V

^(a) LED output port is open-drain and requires a pull-up

14.3.11 Auxiliary ADC

Auxiliary ADC		Min	Typ	Max	Unit
Resolution		-	-	10	Bits
Input voltage range ^(a)		0	-	V_{DD_AUX}	V
Accuracy (Guaranteed monotonic)	INL	-1	-	1	LSB
	DNL	0	-	1	LSB
Offset		-1	-	1	LSB
Gain error		-0.8	-	0.8	%
Input bandwidth		-	100	-	kHz
Conversion time		1.38	1.69	2.75	μs
Sample rate ^(b)		-	-	700	Samples/s

^(a) LSB size = $V_{DD_AUX}/1023$

^(b) The auxiliary ADC is accessed through a VM function. The sample rate given is achieved as part of this function.

14.3.12 Auxiliary DAC

Auxiliary DAC	Min	Typ	Max	Unit
Resolution	-	-	10	Bits
Supply voltage, VDD_AUX	1.30	1.35	1.40	V
Output voltage range	0	-	VDD_AUX	V
Full-scale output voltage	1.30	1.35	1.40	V
LSB size	0	1.32	2.64	mV
Offset	-1.32	0	1.32	mV
Integral non-linearity	-1	0	1	LSB
Settling time ^(a)	-	-	250	ns

^(a) The settling time does not include any capacitive load

深圳市诚至微科技有限公司
 电话：0755-83328582
 手机：13510662515
<http://www.czwtech.com>

14.4 ESD Protection

Apply ESD static handling precautions during manufacturing.

Table 14.1 shows the ESD handling maximum ratings.

Condition	Class	Max Rating
Human Body Model Contact Discharge per ANSI/ESDA/JEDEC JS-001	2	2kV (all pins except CHG_EXT; CHG_EXT is rated at 1kV)
Machine Model Contact Discharge per JEDEC/EIA JESD22-A115	200V	200V (all pins)
Charged Device Model Contact Discharge per JEDEC/EIA JESD22-C101	III	500V (all pins)

Table 14.1: ESD Handling Ratings

14.4.1 USB Electrostatic Discharge Immunity

CSR8645 BGA has integrated ESD protection on the USB_DP and USB_DN pins as detailed in IEC 61000-4-2.

CSR has tested CSR8645 BGA assembled in development kits to assess the Electrostatic Discharge Immunity. The tests were based on IEC 61000-4-2 requirements. Tests were performed up to level 4 (8kV contact discharge / 15kV air discharge).

CSR can demonstrate normal performance up to level 2 (4kV contact discharge / 4kV air discharge) as per IEC 6100-4-2 classification 1. Above level 2, temporary degradation is seen (classification 2).

CSR8645 BGA contains a reset protection circuit and software, which will attempt to re-make any connections lost in a ESD event. If the device at the far end permits this, self-recovery of the Bluetooth link is possible if CSR8645 BGA resets on an ESD strike. This classes CSR8645 BGA as IEC 61000-4-2 classification 2 to level 4 (8kV contact discharge / 15kV air discharge). If self-recovery is not implemented, CSR8645 BGA is IEC 61000-4-2 classification 3 to level 4.

Note:

Any test detailed in the IEC-61000-4-2 level 4 test specification does not damage CSR8645 BGA.

The CSR8645 BGA USB VBUS pin is protected to level 4 using an external 2.2µF decoupling capacitor on VCHG.

Important Note:

CSR recommends correct PCB routing and to route the VBUS track through a decoupling capacitor pad.

When the USB connector is a long way from CSR8645 BGA, place an extra 1µF or 2.2µF capacitor near the USB connector.

No components (including 22Ω series resistors) are required between CSR8645 BGA and the USB_DP and USB_DN lines.

To recover from an unintended reset, e.g. a large ESD strike, the watchdog and reset protection feature can restart CSR8645 BGA and signal the unintended reset to the VM.

Table 14.2 summarises the level of protection.

IEC 61000-4-2 Level	ESD Test Voltage (Positive and Negative)	IEC 61000-4-2 Classification	Comments
1	2kV contact / 2kV air	Class 1	Normal performance within specification limits
2	4kV contact / 4kV air	Class 1	Normal performance within specification limits
3	6kV contact / 8kV air	Class 2 or class 3	Temporary degradation or operator intervention required
4	8kV contact / 15kV air	Class 2 or class 3	Temporary degradation or operator intervention required

Table 14.2: USB Electrostatic Discharge Protection Level

For more information contact CSR.



15 Power Consumption

DUT Role	Connection		Packet Type	Packet Size	Average Current	Unit
Slave	SCO		HV3	30	11.0	mA
Slave	eSCO		EV3	30	11.8	mA
Slave	eSCO		2EV3	60	9.2	mA
Slave	SCO	2-mic CVC: ▪ 8kHz sampling ▪ Narrowband	HV3	30	12.6	mA
Slave	eSCO	2-mic CVC: ▪ 8kHz sampling ▪ Narrowband	2EV3	60	10.8	mA
Slave	eSCO	2-mic CVC: ▪ 16kHz sampling ▪ Wideband	2EV3	60	11.4	mA
Slave	eSCO	2-mic CVC: ▪ 16kHz sampling ▪ FESI	2EV3	60	10.9	mA
Slave	Stereo high quality SBC: ▪ Joint stereo ▪ Bit-Pool = 50, 16 blocks and 8 sub-bands ▪ 48kHz sampling ▪ No sniff ▪ White noise		-	-	13.3	mA
Slave	Stereo low quality SBC: ▪ Joint stereo ▪ Bit-Pool = 20, 16 blocks and 8 sub-bands ▪ 48kHz sampling ▪ No sniff ▪ White noise		-	-	11.8	mA
Slave	Stereo high quality MP3: ▪ 192kbps ▪ 48kHz sampling ▪ No sniff ▪ White noise		-	-	12.5	mA

DUT Role	Connection		Packet Type	Packet Size	Average Current	Unit
Slave	Stereo low quality MP3: <ul style="list-style-type: none"> ▪ 96kbps ▪ 48kHz sampling ▪ No sniff ▪ White noise 		-	-	11.8	mA
Slave	ACL	Sniff = 500ms	-	-	213	μA
Slave	ACL	Sniff = 1280ms	-	-	142	μA
Master	SCO		HV3	30	10.8	mA
Master	eSCO		EV3	30	11.2	mA
Master	eSCO		2EV3	60	8.8	mA
Master	SCO	2-mic CVC: <ul style="list-style-type: none"> ▪ 8kHz sampling ▪ Narrowband 	HV3	30	12.5	mA
Master	eSCO	2-mic CVC: <ul style="list-style-type: none"> ▪ 8kHz sampling ▪ Narrowband 	2EV3	60	10.5	mA
Master	eSCO	2-mic CVC: <ul style="list-style-type: none"> ▪ 16kHz sampling ▪ Wideband 	2EV3	60	11.0	mA
Master	eSCO	2-mic CVC: <ul style="list-style-type: none"> ▪ 16kHz sampling ▪ FESI 	2EV3	60	10.6	mA

DUT Role	Connection	Packet Type	Packet Size	Average Current	Unit	
Master	Stereo high quality SBC: <ul style="list-style-type: none"> ▪ Joint stereo ▪ Bit-Pool = 50, 16 blocks and 8 sub-bands ▪ 48kHz sampling ▪ No sniff ▪ White noise 	-	-	13.2	mA	
Master	Stereo low quality SBC: <ul style="list-style-type: none"> ▪ Joint stereo ▪ Bit-Pool = 20, 16 blocks and 8 sub-bands ▪ 48kHz sampling ▪ No sniff ▪ White noise 	-	-	10.9	mA	
Master	Stereo high quality MP3: <ul style="list-style-type: none"> ▪ 192kbps ▪ 48kHz sampling ▪ No sniff ▪ White noise 	-	-	11.8	mA	
Master	Stereo low quality MP3: <ul style="list-style-type: none"> ▪ 96kbps ▪ 48kHz sampling ▪ No sniff ▪ White noise 	-	-	10.8	mA	
Master	ACL	Sniff = 500ms	-	-	197	μA
Master	ACL	Sniff = 1280ms	-	-	142	μA

Note:

Current consumption values are taken with:

- VBAT pin = 3.7V
- RF TX power set to 0dBm
- No RF retransmissions in case of eSCO
- Microphones and speakers disconnected
- Audio gateway transmits silence when SCO/eSCO channel is open
- LEDs disconnected
- AFH classification master disabled

16 CSR Green Semiconductor Products and RoHS Compliance

CSR confirms that CSR Green semiconductor products comply with the following regulatory requirements:

- Restriction on Hazardous Substances directive guidelines in the EU RoHS Directive 2002/95/EC. This includes compliance with the requirements for Deca BDE, as per removal of exemption, implementation date 01-Jul-08
- EU REACH, Regulation (EC) No 1907/2006:
 - List of substances subject to authorisation (Annex XIV)
 - Restrictions on the manufacture, placing on the market and use of certain dangerous substances, preparations and articles (Annex XVII). This Annex now includes requirements that were contained within EU Directive, 76/769/EEC. There are many substance restrictions within this Annex, including, but not limited to, the control of use of Perfluorooctane sulfonates (PFOS).
 - Substances identified on candidate list as Substances of Very High Concern (SVHC), 53 substances as per update published 20 June 2011.
- EU Commission Decision 2009/251/EC:
 - Products containing dimethylfumarate (DMF) are not placed or made available on the market.
- EU Packaging and Packaging Waste, Directive 94/62/EC
- Montreal Protocol on substances that deplete the ozone layer

Additionally, Table 16.1 shows that CSR Green semiconductor products are free from bromine, chlorine or antimony trioxide and other hazardous chemicals.

Material	Maximum Allowable Amount
Cadmium (Cd)	100ppm
Lead (Pb)	1000ppm (solder), 100ppm (plastic)
Mercury (Hg)	1000ppm
Hexavalent-Chromium (Cr VI)	1000ppm
Polybrominated biphenyls (PBB)	1000ppm
Polybrominated diphenyl ethers (PBDE)	1000ppm
Bromine, Chlorine	900ppm, <1500ppm combined
Antimony Trioxide (Sb ₂ O ₃)	900ppm
Benzene	1000ppm
Beryllium and compounds (other than Beryllium Oxide (BeO))	1000ppm
Halogenated Diphenyl Methanes (Monomethyltetrachloro Diphenyl Methane (CAS# 76253-60-6), Monomethyldichloro Diphenyl Methane (CAS# 81161-70-8), Monomethyldibromo Diphenyl Methane (CAS# 99788-47-8))	1000ppm
Red phosphorous	1000ppm
1,1,1-trichloroethane	Banned

Material	Maximum Allowable Amount
Aliphatic CHCs (chlorohydrocarbons)	Banned
Benzotriazole (2-3',5'-Di-tert-butyl-2'-hydroxyphenyl)	Banned
Beryllium Oxide	Banned
Chlorinated paraffin (including short chain chlorinated paraffins – carbon chain length 10-13 and medium chain chlorinated paraffins – carbon chain length 14-17)	Banned
Formaldehyde (Banned in wooden, adhesive and plastic products)	Banned as described
Hydrofluorocarbon (HFC)	Banned
NPs (nonylphenols) and NPEs (nonylphenol ethoxylates) (Banned in textile, leather, metal, pulp and paper parts)	Banned as described
Organic tin compounds	Banned
Perfluorocarbon (PFC)	Banned
Polychlorinated naphthalenes (PCN)	Banned
Polychlorinated terphenyls (PCT)	Banned
Polychlorinated biphenyls (PCB)	Banned
Polyvinyl Chloride (PVC)	Banned
Sulfur hexafluoride	Banned
Tetrachloromethane (CAS# 56-23-5)	Banned
Asbestos	Banned as intentionally introduced
Phthalates	Banned as intentionally introduced
Radioactive substances	Banned as intentionally introduced: reportable
Tributyl tin (TBT) / Triphenyl tin (TPT) / Tributyl Tin Oxide (TBTO) Dibutyl Tin (DBT) and Dioctyl Tin Compounds (DOT)	Banned as intentionally introduced

Table 16.1: Chemical Limits for Green Semiconductor Products

Products and shipment packaging are marked and labelled with applicable environmental marking symbols in accordance with relevant regulatory requirements.

CSR has defined this Green standard based on current regulatory and customer requirements. For more information contact product.compliance@csr.com.

17 Software

CSR8645 BGA:

- Includes integrated Bluetooth v4.0 specification qualified HCI stack firmware
- Includes integrated CSR8645 Stereo ROM Solution with aptX, with 6th generation 2-mic CVC audio enhancements and a configurable EQ
- Can be shipped with CSR's CSR8645 stereo ROM solution with aptX development kit for CSR8645 BGA, order code DK-8645-10064-1A

The CSR8645 BGA software architecture enables Bluetooth processing and the application program to run on the internal RISC MCU, and the audio enhancements on the Kalimba DSP.

17.1 CSR8645 Stereo ROM Solution with aptX

The CSR8645 stereo ROM solution with aptX software supports:

- 6th generation 2-mic CVC audio enhancements
- WNR
- PLC / BEC
- mSBC wideband speech codec
- A2DP v1.2
- HFP v1.6 and HSP v1.2
- SCMS-T
- Bluetooth v4.0 specification is supported in the ROM software
- Secure simple pairing
- Proximity pairing (headset-initiated pairing) for greatly simplifying the out-of-box pairing process, for more information see Section 17.1.8
- For connection to more than 1 mobile phone, advanced Multipoint is supported. This enables a user to take calls from a work and personal phone or a work phone and a VoIP dongle for Skype users. This has minimal impact on power consumption and is easy to configure.
- Most of the CSR8645 stereo ROM solution with aptX ROM software features are configured on the CSR8645 BGA using the Headset Configurator tool. The tool reads and writes headset configurations directly to the EEPROM, serial flash or alternatively to a PSR file. Configurable headset features include:
 - Bluetooth v4.0 specification features
 - Reconnection policies, e.g. reconnect on power-on
 - Audio features, including default volumes
 - Button events: configuring button presses and durations for certain events, e.g. double press on PIO[1] for last number redial
 - LED indications for states, e.g. headset connected, and events, e.g. power on
 - Indication tones for events and ringtones
 - HFP v1.6 supported features
 - Battery divider ratios and thresholds, e.g. thresholds for battery low indication, full battery etc.
 - Advanced Multipoint settings
- Configurable 5-band EQ for music playback (rock, pop, classical, jazz, dance etc)
- aptX, AAC, SBC, MP3 and Faststream decoder
- Stereo widening (S3D)
- Volume Boost
- USB audio mode for streaming high-quality music from a PC whilst charging, enables the headset to:
 - Playback high-quality stereo music, e.g. iTunes
 - Use bidirectional audio in conversation mode, e.g. for Skype

- Wired audio mode for pendant-style headsets supports music playback using a line-in jack. Enables non Bluetooth operation in low battery modes or when using the headset in an airplane-mode.
- Support for smartphone applications (apps)
- The CSR8645 stereo ROM solution with aptX has undergone extensive interoperability testing to ensure it works with the majority of phones on the market

17.1.1 Advanced Multipoint Support

Advanced Multipoint enables the connection of 2 devices to a CSR8645 BGA headset at the same time, examples include:

- 2 phones connected to a CSR8645 BGA headset
- Phone and a VoIP dongle connected to a CSR8645 BGA headset
- Phone and tablet

The CSR8645 stereo ROM solution with aptX:

- Supports up to 2 simultaneous connections (either HFP or HSP)
- Enables multiple-call handling from both devices at the same time
- Treats all headset buttons:
 - During a call from one device, as if there is 1 device connected
 - During multiple calls (1 on each device), as if there is a single AG with multiple calls in progress (three-way calling)
 - During multiple calls (more than 1 on each device), as if there are multiple calls on a single device enabling the user to switch between the active and held calls

17.1.2 A2DP Multipoint Support

A2DP Multipoint support enables the connection of 2 A2DP source devices to CSR8645 BGA at the same time, examples include:

- 2 A2DP-capable phones connected to a CSR8645 BGA headset
- A2DP-capable phone and an A2DP-only source device, e.g. a PC or an iPod touch

The CSR8645 stereo ROM solution with aptX enables:

- Music streaming from either of the connected A2DP source devices where the music player is controlled on the source device
- Advanced HFP Multipoint functions to interrupt music streaming for calls, and resume music streaming on the completion of the calls
- AVRCP v1.4 connections to both connected devices, enabling the headset to remotely control the primary device, i.e. the device currently streaming audio

17.1.3 Wired Audio Mode

CSR8645 BGA supports a wired audio mode for playing music over a wired connection. This enables the headset to operate when the battery is too low for Bluetooth operation or in environments where the use of wireless technologies is not permitted, e.g. airplane-mode.

The CSR8645 stereo ROM solution with aptX automatically routes the wired audio input to the headphone output when CSR8645 BGA is not powered.

If CSR8645 BGA is powered, the audio path is routed through CSR8645 BGA, including via the DSP, this enables the headset to:

- Mix audio sources, e.g. tones and programmable audio prompts
- Control the volume of the audio, i.e. volume up and volume down
- Utilise the 5 band EQ

The wired audio mode can be used in conjunction with the USB audio mode, see Section 17.1.4. USB audio has priority if attached and is routed to the headset speaker if CSR8645 BGA is powered.

In wired audio mode, if required, the headset is still available for Bluetooth audio. This enables seamless transition from wired audio mode to Bluetooth audio mode and back again. This transition is configurable to occur automatically as the battery voltage of the headset reduces to a point at which Bluetooth audio is no longer possible.

The additional development board CNS11010 enables support for the wired input mode and is available as part of the development kit.

17.1.4 USB Modes Including USB Audio Mode

CSR8645 BGA supports a variety of USB modes which enables the USB interface to extend the functionality of a CSR8645 BGA based stereo headset.

CSR8645 BGA supports:

- USB charger enumeration
- USB soundcard enumeration (USB audio mode)
- USB mass storage enumeration

USB audio mode enables the headset to enumerate as a soundcard while charging from a USB master device, e.g. a PC. In this mode, the headset enumerates as either a stereo music soundcard (for high quality music playback) or a bidirectional voice quality soundcard. This enables the headset for either listening to music streaming from the USB host device or for voice applications, e.g. Skype.

The USB audio mode operates at the same time as the wired audio mode and the USB audio interrupts the wired audio mode if USB audio is attached. This enables a headset to have both wired audio and USB modes connected at the same time.

In USB audio mode, if required, the headset is still available for Bluetooth audio.

17.1.5 Smartphone Applications (Apps)

CSR8645 BGA includes CSR's proprietary mechanism for communicating with smartphone apps, it enables full UI control of the headset from within the application running on a smartphone, e.g. Google Android OS-based handset. For more information on this feature contact CSR.

17.1.6 Programmable Audio Prompts

CSR8645 BGA enables a user to configure and load pre-programmed audio prompts from:

- An external EEPROM, in this implementation the prompts are stored in the same EEPROM as the PS Keys, see Figure 17.2. A larger EEPROM is necessary for programmable audio prompts. This implementation supports EEPROMs up to 512Kb. An EEPROM of 512Kb enables approximately 15 seconds of audio storage.
- An external SPI flash, in this implementation the prompts are stored in the same SPI flash as the PS Keys, see Figure 17.1.

The programmable audio prompts provide a mechanism for higher-quality audio indications to replace standard tone indications. A programmable audio prompt is assigned to any user event in place of a standard tone.

Programmable audio prompts contain either voice prompts to indicate that events have occurred or provide user-defined higher quality ring tones/indications, e.g. custom power on/off tones.

The Headset Configurator tool can generate the content for the programmable audio prompts from standard WAV audio files. The tool also enables the user to configure which prompts are assigned to which user events.

Section 6.5 describes the SPI flash interface and Section 7.4 describes the I²C interface to an external EEPROM.

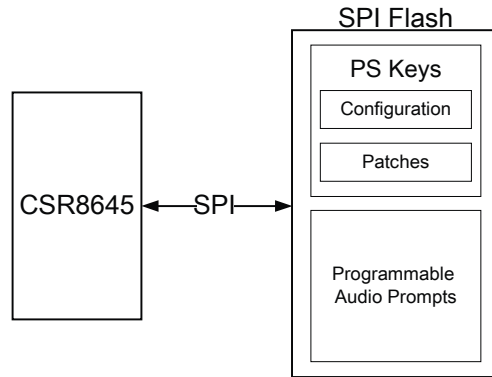


Figure 17.1: Programmable Audio Prompts in External SPI Flash

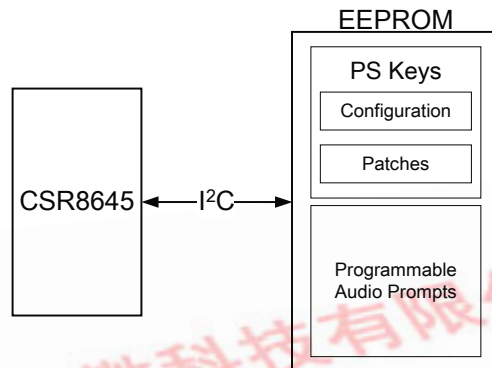


Figure 17.2: Programmable Audio Prompts in External I²C EEPROM

Note:

When using the SPI flash interface for programmable audio prompts, an EEPROM device is not required in the CSR8645 stereo ROM solution with aptX.

17.1.7 CSR's Intelligent Power Management

IPM extends the available talk time of a CSR8645 BGA-based headset, by automatically reducing the audio processing performed by CVC at a series of low battery capacity thresholds.

Configurable IPM features include:

- IPM enable/disable
- The battery capacity that engages IPM
- A user-action to enable or disable the IPM

If engaged, CVC processing reduces automatically on reaching the preset battery capacity. Once the audio is terminated, the DSP shuts down to achieve maximum power savings before the next call.

IPM resets when recharging the headset. The talk time extension depends on:

- The battery size
- The battery condition
- The threshold capacity configured for the IPM to engage

G-TW-0009075.1.1

G-TW-0009074.1.1

17.1.8 Proximity Pairing

Proximity pairing is headset-initiated pairing and it simplifies the out-of-box pairing process. Proximity pairing enables the headset to find the closest discoverable phone. The headset then initiates the pairing activity and the user simply has to accept the incoming pairing invitation on the phone.

This means that the phone-user does not have to hunt through phone menus to pair with the new headset.

Depending on the phone UI:

- For a Bluetooth v2.0 phone the headset pairing is with a PIN code
- For a Bluetooth v2.1 (or above) phone the headset pairing is without a PIN code

Proximity pairing is based on finding and pairing with the closest phone. To do this, the headset finds the loudest phone by carrying out RSSI power threshold measurements. The loudest phone is the one with the largest RSSI power threshold measurement, and it is defined as the closest device. The headset then attempts to pair with and connect to this device.

Proximity pairing is configurable using the Headset Configurator tool available from www.csrsupport.com.

17.1.9 Proximity Connection

Proximity connection is an extension to proximity pairing, see Section 17.1.8. It enables the headset-user to take advantage of the proximity of devices each time the headset powers up and not just during a first time pairing event.

Proximity connection enables a user with multiple handsets to easily connect to the closest discoverable phone by comparing the proximity of devices to the headset at power-on to the list of previously paired devices.

Proximity connection speeds up the headset connection process. It requires the headset to initiate a SLC connection to the nearest device first and combines this with the headset's storage of the last 8 paired/connected devices. Using proximity connection means functions like *power on into an incoming call* operate equally well for the most recently paired or connected device, as well as the least recently paired or connected device.

17.2 6th Generation 2-mic CVC Audio Enhancements

Important Note:

It is important to follow the industrial design considerations in *CVC Two Microphone Headset Design Guidelines* when designing headsets using 2-mic CVC.

2-mic CVC full-duplex voice processing software is a fully integrated and highly optimised set of DSP algorithms developed to ensure easy design and build of echo and noise-cancelling headset products.

CVC enables greater acoustic design flexibility by incorporating software to compensate for cost-optimised microphone-to-speaker coupling and placement. CVC-enabled headsets operate in a wide variety of acoustic environments. Sophisticated noise suppression technology reduces the impact of noise in the transmission channel. Using intelligent volume control and intelligibility improvements, the receive channel is also enhanced based on the acoustic noise in the listener's environment.

The 6th generation CVC provides 3 new major features:

- A high performance Wind Noise Reduction module provides significant reduction of both front and side wind noise. This uses a very low-power algorithm which automatically cuts in only on the detection of wind noise.
- A 16kHz sample rate for full compliance across the suite of DSP algorithms
- Frequency enhanced speech intelligibility

2-mic CVC includes a tuning tool enabling the developer to easily adapt CVC with different audio configurations and tuning parameters. The tool provides real-time system statistics with immediate feedback enabling designers to quickly investigate the effect of changes.

Figure 17.3 shows the functional block diagram of CSR's proprietary 2-mic CVC DSP solution for a dual-microphone headset product.

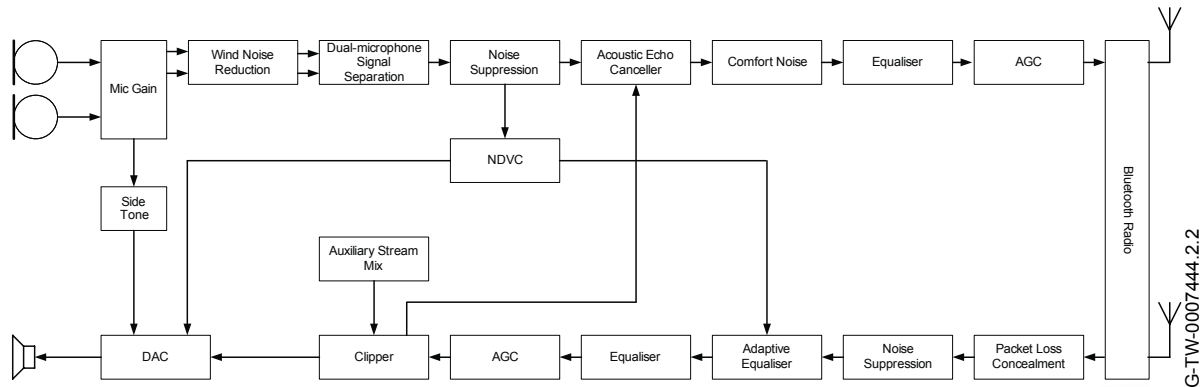


Figure 17.3: 2-mic CVC Block Diagram

Section 17.2.3 to Section 17.2.13 describe the audio processing functions provided within CVC.

17.2.1 Wind Noise Reduction

The wind noise algorithm achieves excellent wind noise reduction with very low power overhead, which has a negligible impact on battery life. The wind noise capability operates in the noise suppression block in the transmit path and dynamically detects and engages when wind noise is present. SNR improvements depend on wind direction, speech and microphone placement. Improvements of up to 32dB are achievable using the DSP module.

CVC wind noise performance is further improved by suitable mechanical baffling of the microphone which is optimised during the tuning process.

17.2.2 Dual-microphone Signal Separation

The dual-microphone signal separation is the major dynamic noise suppression block in 2-mic CVC. It separates the speech from the competing noises. It achieves this by first applying a pre-stage algorithm using a blind source separation processing technique. Blind source separation is a rules based filter which uses the 2 microphones' spatial information, direction of arrival and power ratios assumptions etc.

Blind source separation results in speech (S1) and noise (S2) dominant outputs. These outputs are then processed by a post stage adaptive noise canceller filter to further reduce the environmental noise, resulting in a single-channel noise suppressed output. Depending on the acoustic arrangement of the microphone and the noise type, the dual-microphone signal separation block provides up to 22dB SNR of dynamic noise suppression.

17.2.3 Noise Suppression

The noise suppression block is implemented in both signal paths. It is independent and is individually tuned. Noise suppression is a sub-band stationary / quasi-stationary noise suppression algorithm that uses the temporal characteristics of speech and noise to remove the noise from the composite signal while maximising speech quality. The current implementation can improve the SNR by up to 20dB.

17.2.4 Acoustic Echo Cancellation

The AEC includes:

- A referenced sub-band adaptive linear filter that models the acoustic path from the receive reference point to the microphone input
- A Non-Linear Echo Reduction feature to address severe and distorted echo in speakerphones and car-kits. CVC measures the amount of residual echo after the primary AEC adaptive filter. If the residual echo exceeds a threshold, the NLER function will insert attenuation during far end speech activity, significantly reducing the echo.

17.2.5 Comfort Noise Generator

The CNG:

- Creates a spectrally and temporally consistent noise floor for the far-end listener.
- Adaptively inserts noise modelled from the noise present at the microphone into gaps introduced when the non-linear processing of the AEC applies attenuation. The noise level applied is user-controllable.

17.2.6 Equalisation

The equalisation filters:

- Have independent equalisation modules provided in the send and receive signal paths:
 - Each module comprises of 5 bands of equalisation using cascaded 2nd order IIR filters
- Are fully configurable using a graphical tuning tool
- Provide static compensation for the frequency response of transducers in the system

17.2.7 Automatic Gain Control

The AGC block attempts to:

- Normalise the amplitude of the incoming audio signal to a desired range to increase perceived loudness
- Reduce distortion due to clipping
- Reduce amplitude variance observed from different users, phones and networks

Maintaining a consistent long-term loudness for the speech ensures it is more easily heard by the listener and it also provides the subsequent processing block a larger amplitude signal to process. The behaviour of the AGC differs from a dynamic range audio compressor. The convergence time for the AGC is much slower to reduce the non-linear distortion.

17.2.8 Packet Loss Concealment

Bit errors and packet loss can occur in the Bluetooth transmission due to a variety of reasons, e.g. Wi-Fi interference or RF signal degradation due to distance or physical objects. As a result of these errors, the user hears glitches referred to as *pops* and *clicks* in the audio stream. The PLC block improves the receive path audio quality in the presence of bit and packet errors within the Bluetooth link by using a variety of techniques such as pitch-based waveform substitution.

The PLC significantly improves dealing with bit errors, using the BFI output from the firmware. The DSP calculates an average BER and selectively applies the PLC to the incoming data. This optimises audio quality for a variety of bit errors and packet loss conditions. The PLC is enabled in all modes.

17.2.9 Adaptive Equalisation

The adaptive equalisation block improves the intelligibility of the receive path voice signal in the presence of near-end noise by altering the spectral shape of the receive path signal while maintaining the overall power level. The adaptive equaliser can also compensate for variations in voice transmission channels.

17.2.10 Auxiliary Stream Mix

The auxiliary stream mixer enables the system to seamlessly mix audio signals such as tones, beeps and voice prompts with the incoming SCO stream. This avoids any interruption to the SCO stream and as a result prevents any speech from being lost.

17.2.11 Clipper

The clipper block intentionally limits the amplitude of the receive signal prior to the reference input of the AEC to more accurately model the behaviour of the post reference input blocks such as the DAC, power amplifier and the loudspeaker. This processing block can significantly improve the echo performance in cost-optimised loudspeakers.

17.2.12 Noise Dependent Volume Control

The NDVC block improves the intelligibility of the receive path signal by increasing the analogue DAC gain value based on the send noise estimate from the send path noise suppression block. As the send noise estimate increases, the NDVC algorithm increases the analogue DAC gain value. The NDVC uses hysteresis to minimise the artefacts generated by rapidly adjusting the DAC gain due to the fluctuation in the environmental noise.

17.2.13 Fixed Gains

There are fixed gain controls at all inputs and outputs to the system so that levels are set according to hardware constraints and industry standards.

17.2.14 Frequency Enhanced Speech Intelligibility

Frequency enhanced speech intelligibility on the CSR8645 BGA works with the adaptive equalisation module, see Section 17.2.9, and the NDVC module, see Section 17.2.12, to enhance intelligibility in the presence of noise. This combination of functions creates higher frequency information, which in the presence of noise, makes it much easier for the listener to differentiate between consonant pairs, therefore improving intelligibility. This also reduces listener fatigue as it requires less concentration effort from the user. This can lead to improved dual-tasking performance.

17.3 Music Enhancements

17.3.1 Audio Decoders

CSR8645 BGA supports:

- aptX decoder
- A wide range of standard decoders:
 - SBC
 - MP3
 - AAC
- Faststream codec:
 - Low-latency
 - No video/lip-sync issues while watching a video or playing games
- Jitter handling and high quality sample rate matching
- Low power consumption

17.3.2 aptX Decoder

The aptX audio decoder is available for high-quality stereo audio over Bluetooth. When incorporated in Bluetooth A2DP stereo products, aptX audio coding delivers full *wired* audio quality. The aptX audio codec source material is delivered transparently over the Bluetooth link, whether it is stored uncompressed or in an alternative compression (MP3, AAC, FLAC) format.

Target applications for the aptX decoder include:

- Bluetooth stereo headphones / headsets
- Bluetooth automotive audio
- Bluetooth stereo speakers

Benefits of the aptX decoder include:

- Outstanding Bluetooth Stereo audio quality
- Faithful reproduction of full audio bandwidth
- Minimization of 'lip-sync' issues via low-delay audio decoding techniques
- Non-destructive transcoding from other standard coded audio formats
- Low code memory and data memory requirements
- A2DP-compliant negotiation back to the SBC decoder when connecting with legacy audio sources

Key features of the aptX decoder include:

- Multiple audio sample rate support, including $F_s = 44.1$ kHz and $F_s = 48$ kHz
- Conveyance of CD-quality audio (16-bit and $F_s = 44.1$ kHz) over Bluetooth at a data rate of 352 kbps
- Frequency response maintained from 10 Hz to 22 kHz for $F_s = 48$ kHz
- Algorithmic delay less than 1.89 ms for $F_s = 48$ kHz
- Dynamic range for 16-bit audio in excess of 92 dB

17.3.3 Configurable EQ

The configurable equaliser on the CSR8645 BGA:

- Each EQ filter contains up to 5 fully tuneable stages of cascaded 2nd order IIR filters per bank
- Enables compensation for imperfections in loudspeaker performance and frequency adjustments to the received audio to enhance music brightness
- Contains tiering for multiple customer presets, e.g. rock, pop, classical, jazz, dance etc.
- Contains an easy to use GUI, with drag points, see Figure 17.4

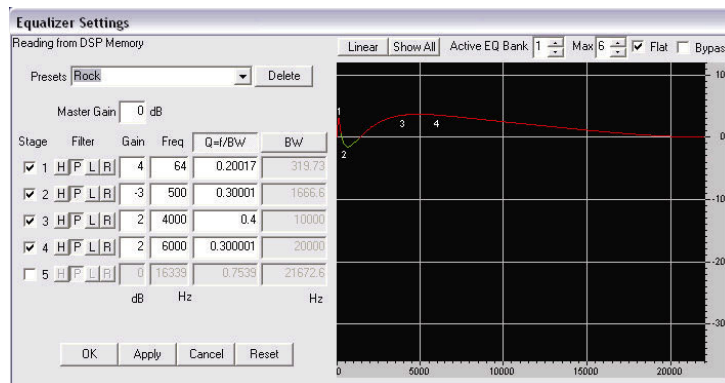


Figure 17.4: Configurable EQ GUI with Drag Points

- Is configurable with up to 6 switchable bank presets. This enables the headset user to select between the EQ bank presets through button presses.

17.3.4 Stereo Widening (S3D)

The stereo widening feature on CSR8645 BGA:

- Simulates loudspeaker listening to provide 3D listening experience
- Is highly optimised at <1MIPS of the Kalimba DSP
- Reduces listener fatigue for headphone listening

17.3.5 Volume Boost

The volume boost feature on the CSR8645 BGA is a dynamic range compander and provides:

- Additional loudness without clipping
- Multi-stage compression and expansion
- Processing modules for dynamic bass boost
- Easy to use GUI, with drag points, see Figure 17.5

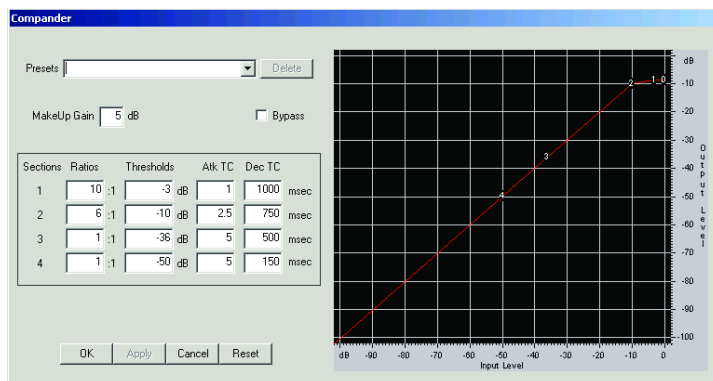


Figure 17.5: Volume Boost GUI with Drag Points

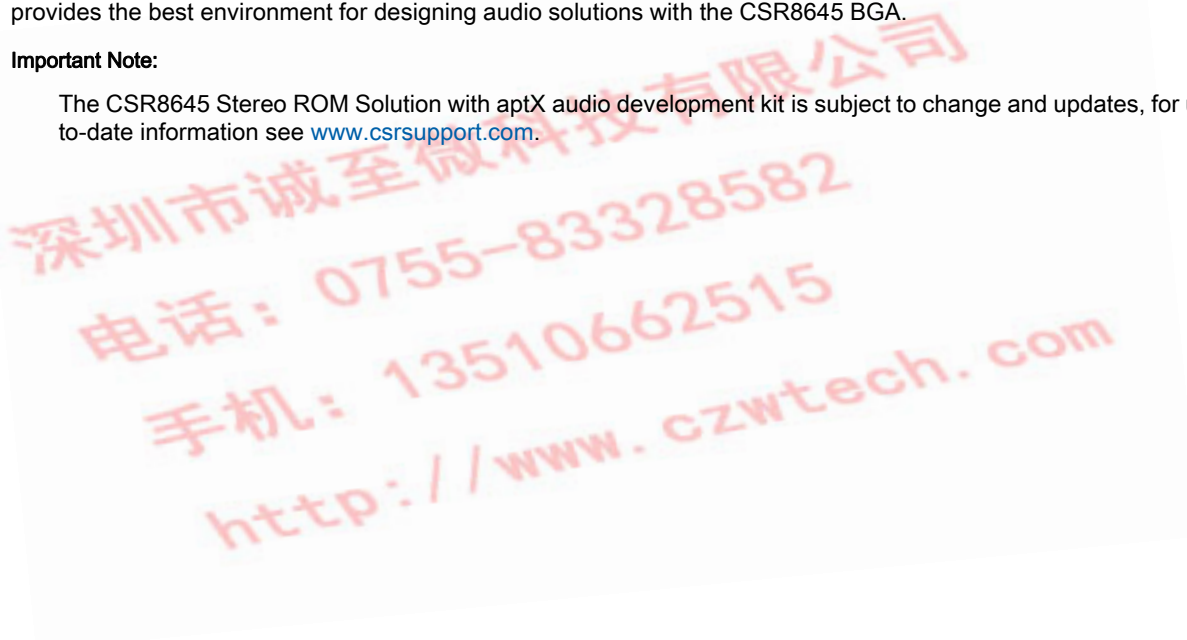
- Louder audio output without distortion

17.4 CSR8645 Stereo ROM Solution with aptX Development Kit

CSR's audio development kit for the CSR8645 BGA, order code DK-8645-10064-1A, includes a CSR8645 stereo ROM solution with aptX demonstrator board and necessary interface adapters and cables are available. In conjunction with the CSR8600 ROM Series Configuration Tool and other supporting utilities the development kit provides the best environment for designing audio solutions with the CSR8645 BGA.

Important Note:

The CSR8645 Stereo ROM Solution with aptX audio development kit is subject to change and updates, for up-to-date information see www.csrsupport.com.



18 Tape and Reel Information

For tape and reel packing and labelling see *IC Packing and Labelling Specification*.

18.1 Tape Orientation

Figure 18.1 shows the general orientation of the CSR8645 BGA package in the carrier tape.

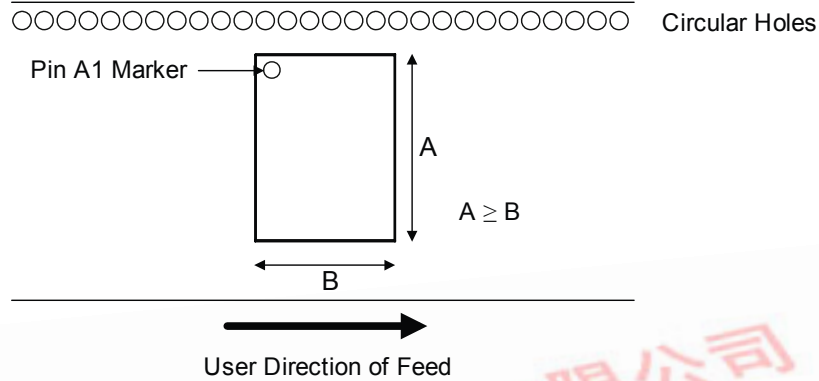


Figure 18.1: Tape Orientation

18.2 Tape Dimensions

Figure 18.2 shows the dimensions of the tape for the CSR8645 BGA.

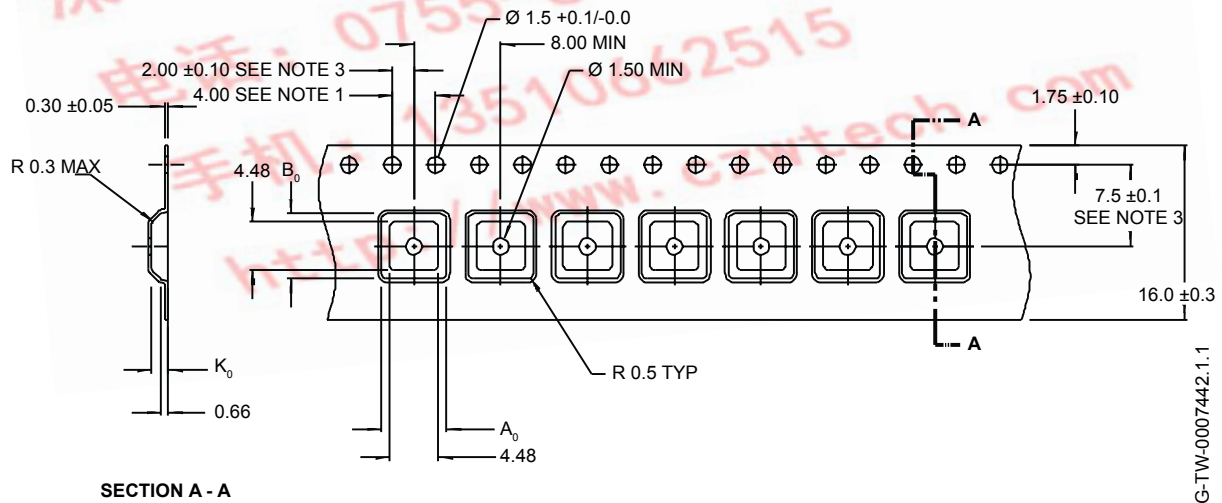


Figure 18.2: Tape Dimensions

G-TW-0002434.3.2

G-TW-0007442.1.1

A ₀	B ₀	K ₀	Unit	Notes
6.00	6.00	1.50	mm	1. 10 sprocket hole pitch cumulative tolerance ± 0.2 . 2. Camber in compliance with EIA 481. 3. Pocket position relative to sprocket hole measured as true position of pocket, not pocket hole 4. Tolerances, unless noted, 1PL ± 0.2 , 2PL ± 0.10 5. Material: PS + C

18.3 Reel Information

Reel dimensions

(All dimensions in millimeters)

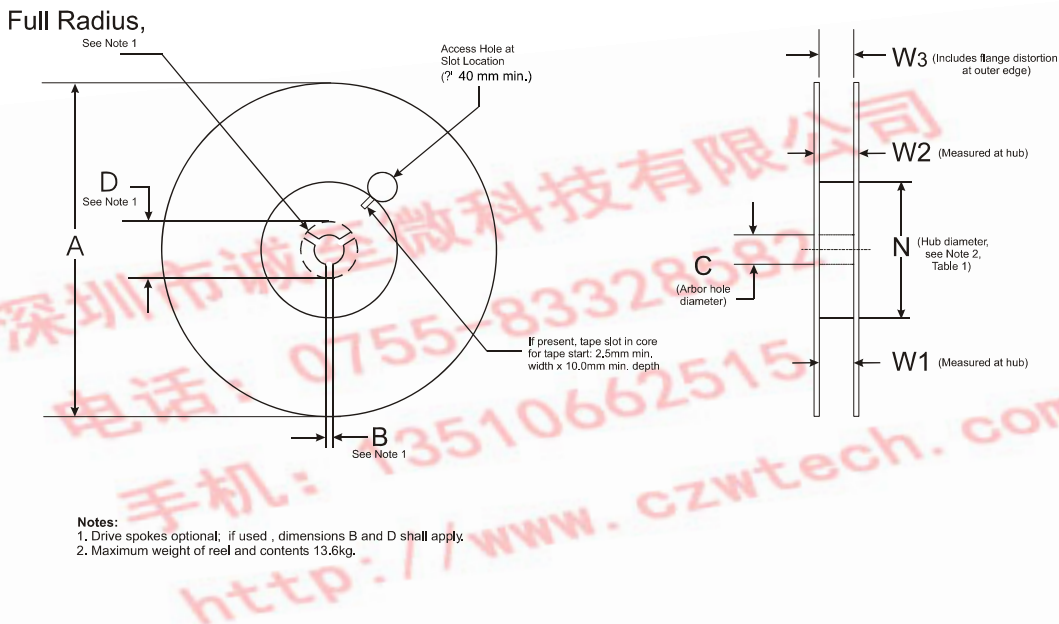


Figure 18.3: Reel Dimensions

Package Type	Tape Width	A Max	B	C	D Min	N Min	W1	W2 Max	W3		Units
									Min	Max	
5.5 x 5.5 x 1mm VFBGA	16	332	1.5	13.0 (0.5/-0.2)	20.2	50	16.4 (3.0/-0.2)	19.1	16.4	19.1	mm

18.4 Moisture Sensitivity Level

CSR8645 BGA is qualified to moisture sensitivity level MSL3 in accordance with JEDEC J-STD-020.

19 Document References

Document	Reference, Date
<i>BlueCore Audio API Specification</i>	CS-209064-DD
<i>BlueTest User Guide</i>	CS-102736-UG
<i>Bluetooth and USB Design Considerations</i>	CS-101412-AN
<i>Core Specification of the Bluetooth System</i>	Bluetooth Specification Version 4.0, 17 December 2009
<i>CSR8645 BGA Performance Specification</i>	CS-218184-SP
<i>Electrostatic Discharge (ESD) Sensitivity Testing, Machine Model (MM)</i>	JESD22-A115C
<i>ESDA/JEDEC Joint Standard For Electrostatic Discharge Sensitivity Testing Human Body Model (HBM) - Component Level</i>	ANSI/ESDA/JEDEC JS-001-201
<i>Field-Induced Charged-Device Model Test Method for Electrostatic- Discharge-Withstand Thresholds of Microelectronic Components</i>	JESD22-C101E
<i>IC Packing and Labelling Specification</i>	CS-112584-SP
<i>IEC 61000-4-2 Electromagnetic compatibility (EMC) – Part 4-2: Testing and measurement techniques – Electrostatic discharge immunity test</i>	IEC 61000-4-2, Edition 2.0, 2008-12
<i>Kalimba Architecture 3 DSP User Guide</i>	CS-202067-UG
<i>Lithium Polymer Battery Charger Calibration and Operation for CSR8670</i>	CS-204572-AN
<i>Moisture / Reflow Sensitivity Classification for Nonhermitic Solid State Surface Mount Devices</i>	IPC / JEDEC J-STD-020
<i>Optimising BlueCore5-Multimedia ADC Performance Application Note</i>	CS-120059-AN
<i>Selection of I²C EEPROMS for Use with BlueCore</i>	bcare-an-008P
<i>Typical Solder Reflow Profile for Lead-free Device</i>	CS-116434-AN
<i>Universal Serial Bus Specification</i>	v2.0, 27 April 2000
<i>USB Battery Charging Specification</i>	v1.1, 15 April 2009

Terms and Definitions

Term	Definition
8DPSK	8-phase Differential Phase Shift Keying
$\pi/4$ DQPSK	$\pi/4$ rotated Differential Quaternary Phase Shift Keying
μ -law	Audio companding standard (G.711)
A-law	Audio companding standard (G.711)
A2DP	Advanced Audio Distribution Profile
AAC	Advanced Audio Coding
AC	Alternating Current
ACL	Asynchronous Connection-oriented
ADC	Analogue to Digital Converter
AEC	Acoustic Echo Cancellation
AEQ	Adaptive Equaliser
AFC	Automatic Frequency Control
AFH	Adaptive Frequency Hopping
AG	Audio Gateway
AGC	Automatic Gain Control
ALU	Arithmetic Logic Unit
AVRCP	Audio/Video Remote Control Profile
BCCMD	BlueCore Command
BCSP	BlueCore Serial Protocol
BEC	Bit Error Concealment
BER	Bit Error Rate
BFI	Bad Frame Indicator
BIST	Built-In Self-Test
BlueCore®	Group term for CSR's range of Bluetooth wireless technology ICs
Bluetooth®	Set of technologies providing audio and data transfer over short-range radio connections
BMC	Burst Mode Controller
CNG	Comfort Noise Generation
codec	Coder decoder

Term	Definition
CRC	Cyclic Redundancy Check
CSR	Cambridge Silicon Radio
CTS	Clear to Send
CVC	Clear Voice Capture
CVSD	Continuous Variable Slope Delta Modulation
DAC	Digital to Analogue Converter
DC	Direct Current
DDS	Direct Digital Synthesis
DMA	Direct Memory Access
DNL	Differential Non Linearity (ADC accuracy parameter)
DSP	Digital Signal Processor (or Processing)
DUT	Device Under Test
e.g.	<i>exempli gratia</i> , for example
EDR	Enhanced Data Rate
EEPROM	Electrically Erasable Programmable Read Only Memory
EIA	Electronic Industries Alliance
EMC	Electromagnetic Compatibility
EQ	Equaliser
eSCO	Extended SCO
ESD	Electrostatic Discharge
ESR	Equivalent Series Resistance
etc	<i>et cetera</i> , and the rest, and so forth
FIR	Finite Impulse Response (filter)
FSK	Frequency Shift Keying
G.722	An ITU-T standard wideband speech codec operating at 48, 56 and 64 kbps
GCI	General Circuit Interface
GSM	Global System for Mobile communications
GUI	Graphical User Interface
H4DS	H4 Deep Sleep
HBM	Human Body Model

Term	Definition
HCI	Host Controller Interface
HFP	Hands-Free Profile
HSP	HeadSet Profile
I ² C	Inter-Integrated Circuit Interface
I ² S	Inter-Integrated Circuit Sound
i.e.	<i>Id est</i> , that is
I/O	Input/Output
IC	Integrated Circuit
IEEE	Institute of Electronic and Electrical Engineers
IF	Intermediate Frequency
IIR	Infinite Impulse Response (filter)
INL	Integral Non Linearity (ADC accuracy parameter)
IPM	Intelligent Power Management
IQ	In-Phase and Quadrature
ISDN	Integrated Services Digital Network
JEDEC	Joint Electron Device Engineering Council (now the JEDEC Solid State Technology Association)
Kalimba	An open platform DSP co-processor, enabling support of enhanced audio applications, such as echo and noise suppression, and file compression / decompression
Kb	Kilobit
LC	An inductor (L) and capacitor (C) network
LDO	Low (voltage) Drop-Out
LED	Light-Emitting Diode
LM	Link Manager
LNA	Low Noise Amplifier
LSB	Least Significant Bit (or Byte)
MAC	Multiplier and ACcumulator
Mb	Megabit
MCU	MicroController Unit
MEMS	Micro Electro Mechanical System
MIPS	Million Instructions Per Second

Term	Definition
MISO	Master In Slave Out
MLC	Multilayer Ceramic
MMU	Memory Management Unit
MP3	MPEG-1 audio layer 3
mSBC	modified Sub-Band Coding
N/A	Not Applicable
NDVC	Noise Dependent Volume Control
NSMD	Non Solder Mask Defined
PA	Power Amplifier
PC	Personal Computer
PCB	Printed Circuit Board
PCM	Pulse Code Modulation
PIN	Personal Identification Number
PIO	Parallel Input/Output
PIO	Programmable Input/Output, also known as general purpose I/O
PLC	Packet Loss Concealment
plc	Public Limited Company
PS Key	Persistent Store Key
PWM	Pulse Width Modulation
RAM	Random Access Memory
RC	A Resistor and Capacitor network
RF	Radio Frequency
RGB	Red Green Blue
RISC	Reduced Instruction Set Computer
RoHS	Restriction of Hazardous Substances in Electrical and Electronic Equipment Directive (2002/95/EC)
ROM	Read Only Memory
RSSI	Received Signal Strength Indication
RTS	Request To Send
RX	Receive or Receiver
SBC	Sub-Band Coding

Term	Definition
SCL	Serial Clock Line
SCMS	Serial Copy Management System (SCMS-T). A content protection scheme for secure transport and use of compressed digital music
SCO	Synchronous Connection-Oriented
SDA	Serial Data (line)
SIG	(Bluetooth) Special Interest Group
SLC	Service Level Connection
SMPS	Switch Mode Power Supply
SNR	Signal-to-Noise Ratio
SPI	Serial Peripheral Interface
TBD	To Be Defined
THD+N	Total Harmonic Distortion and Noise
TX	Transmit or Transmitter
UART	Universal Asynchronous Receiver Transmitter
UI	User Interface
USB	Universal Serial Bus
VCO	Voltage Controlled Oscillator
VFBGA	Very thin, Fine pitch, Ball Grid Array
VM	Virtual Machine
VoIP	Voice over Internet Protocol
W-CDMA	Wideband Code Division Multiple Access
Wi-Fi®	Wireless Fidelity (IEEE 802.11 wireless networking)
WNR	Wind Noise Reduction