



# PRODUCT SPECIFICATION

**Model No : CST-5234M9/5235M9**

## Descriptions:

- 0.52 Inch Triad Digit Display
- CST-5234: Common Anode
- CST-5235: Common Cathode
- Emitting Color: Super Bright Yellow Green



CUSTOMER APPROVED SIGNATURES	APPROVED BY	CHECKED BY	PREPARED BY

**CHINA SEMICONDUCTOR CORPORATION**

Address:2FL. NO.909,Chung-Cheng Road,  
Chung-Ho City Taipei Hsien,Taiwan.

Tel:886-2-2223-9696

Fax:886-2-2223-9377

**OPTO PLUS TECHNOLOGIES CO.,LTD**

Address:696 Shun jiang Rd.,Ji Shan St.Shaoxing,  
ZheJiang,China

Tel:86-0575-88623888

Fax:86-0575-88623112



<b>Spec. No.</b>	PS-ND-08090104
<b>Rev.</b>	A

**Model No : CST-5234/5235M9**

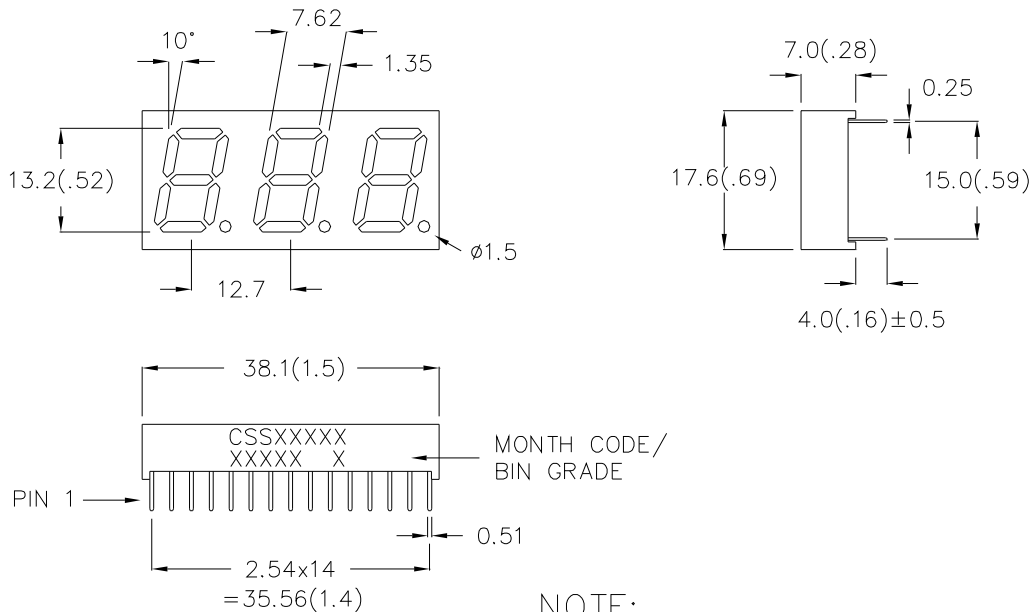
**Features -**

1. 0.52 inch (13.2mm) digit height.
2. Case mold type.
3. RoHS compliant.
4. Low power consumption.
5. Easy mounting on P.C. board or socket.

**Device Selection Guide -**

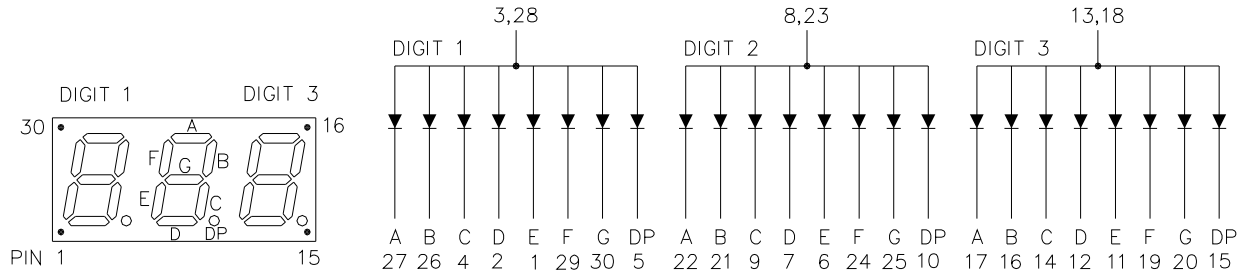
Part No.	Chip		Description
	Material	Emitted Color	
<b>CST-5234M9</b>	<b>AlGaInP</b>	<b>Super Bright Yellow</b>	<b>Common Anode</b>
<b>CST-5235M9</b>		<b>Green</b>	<b>Common Cathode</b>

**Package Dimensions -**



**NOTE:**

2. Dimension in millimeter (inch), and tolerance is  $\pm 0.25$  (.01) unless otherwise noted.


**Model No : CST-5234/5235M9**
**Internal Circuit Diagrams -**


CST-5234 Common Anode. (CST-5235 is Common Cathode.)

**Absolute Maximum Rating -**

( $T_a=25^{\circ}\text{C}$ )

Parameter	Symbol	Rating	Unit
Power Dissipation Per Dice	<b>PAD</b>	70	mW
Continuous Forward Current Per Dice	<b>IAF</b>	25	mA
Peak Current Per Dice(duty cycle 1/10, 1kHz)	<b>IPF</b>	90	mA
Derating Linear From 25°C Per Dice	-	0.33	mA/°C
Reverse Voltage Per Dice	<b>VR</b>	5	V
Operating Temp.	<b>Topr</b>	-35 ~ +85	°C
Storage Temp.	<b>Tstg</b>	-35 ~ +85	°C
Solder temperature 1/16 inch below seating plane for 3 seconds at 260°C			



<b>Spec. No.</b>	PS-ND-08090104
<b>Rev.</b>	A

**Model No : CST-5234/5235M9**
**Electro-optical Characteristics -**

(Ta=25°C)

Parameter	Symbol	Min.	Typ.	Max.	Unit	Condition
Forward Voltage Per Segment	V <sub>F</sub>	-	2.1	2.8	V	I <sub>F</sub> =20mA
Luminous Intensity Per Segment	I <sub>v</sub>	-	10	-	mcd	I <sub>F</sub> =10mA
Peak Emission Wavelength	λ <sub>p</sub>	-	572	-	nm	I <sub>F</sub> =20mA
Dominant Wavelength	λ <sub>d</sub>	-	570	-	nm	I <sub>F</sub> =20mA
Spectrum Radiation Bandwidth	Δλ	-	20	-	nm	I <sub>F</sub> =20mA
Reverse Current	I <sub>R</sub>	-	-	100	μA	V <sub>R</sub> =5V
Luminous Intensity Matching Ratio	I <sub>V-m</sub>	-	-	2:1	-	I <sub>F</sub> =10mA



<b>Spec. No.</b>	PS-ND-08090104
<b>Rev.</b>	A

**Model No : CST-5234/5235M9**

**Typical Electrical / Optical Characteristics Curves -**

**(Ta = 25°C Unless Otherwise Noted)**

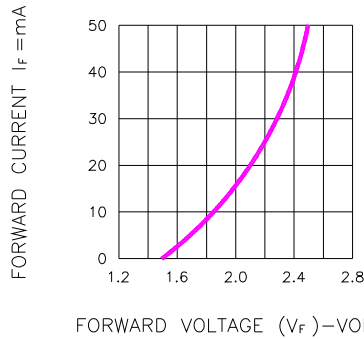


Fig.1 FORWARD CURRENT VS. FORWARD VOLTAGE

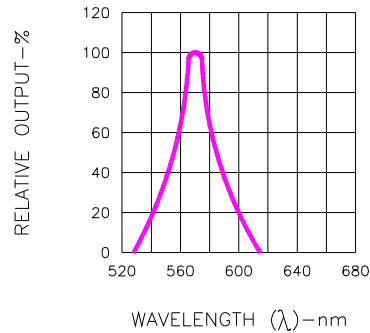


Fig.2 SPECTRAL RESPONSE

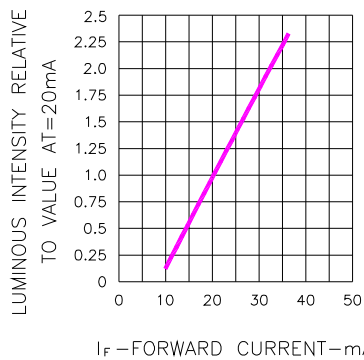


Fig.3 RELATIVE LUMINOUS INTENSITY VS. FORWARD CURRENT

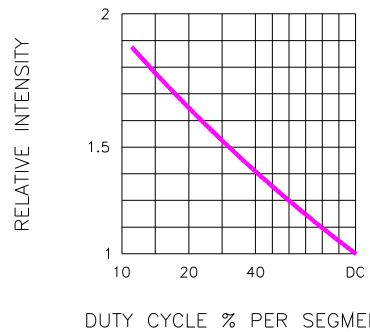


Fig.5 LUMINOUS INTENSITY VS. DUTY CYCLE

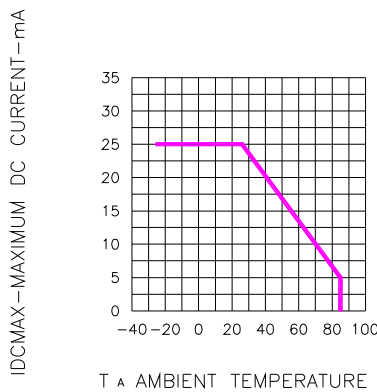


Fig.4 MAXIMUM ALLOWABLE DC CURRENT PER SEGMENT VS. A FUNCTION OF AMBIENT TEMPERATURE

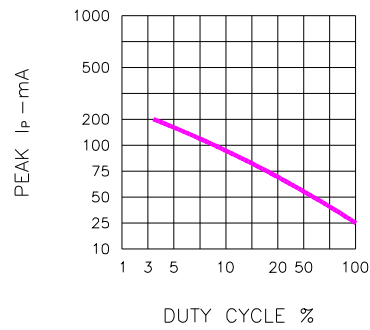


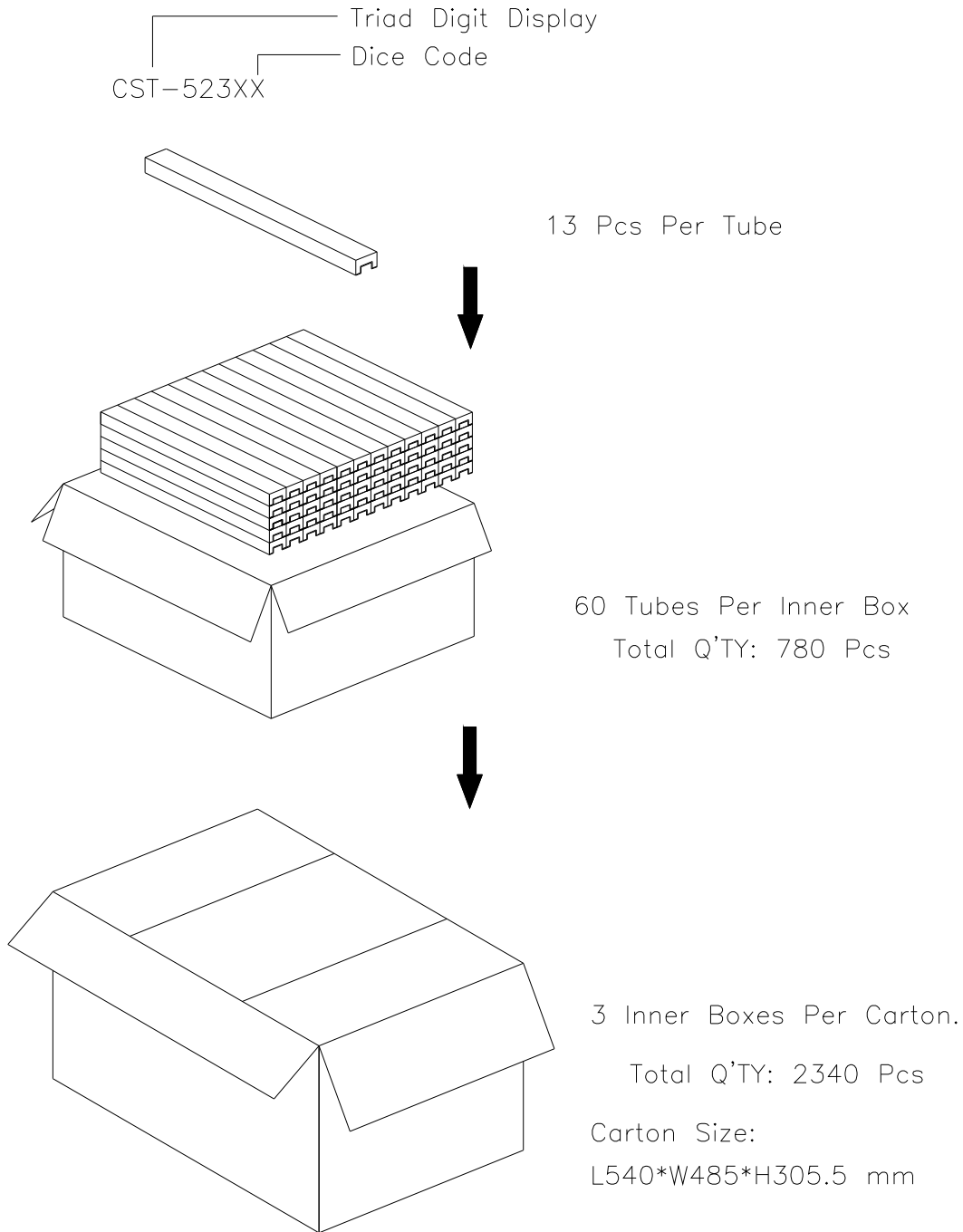
Fig.6 MAX PEAK CURRENT VS. DUTY CYCLE % (REFRESH RATE f=1 KHz)



<b>Spec. No.</b>	PS-ND-08090104
<b>Rev.</b>	A

**Model No : CST-5234/5235M9**

■ Package Dimensions



Note: The specifications are subject to change without notice. Please contact us for updated information.