



# PRODUCT SPECIFICATION

**Model No : CST-532S/533S**

## Descriptions:

- 0.56 Inch Triad Digit Display
- CST-532: Common Anode
- CST-533: Common Cathode
- Emitting Color: Super Bright Red



CUSTOMER APPROVED SIGNATURES	APPROVED BY	CHECKED BY	PREPARED BY

**CHINA SEMICONDUCTOR CORPORATION**

Address:2FL. NO.909,Chung-Cheng Road,  
Chung-Ho City Taipei Hsien,Taiwan.

Tel:886-2-2223-9696  
Fax:886-2-2223-9377

**OPTO PLUS TECHNOLOGIES CO.,LTD**

Address:696 Shun jiang Rd.,Ji Shan St.Shaoxing,  
ZheJiang,China

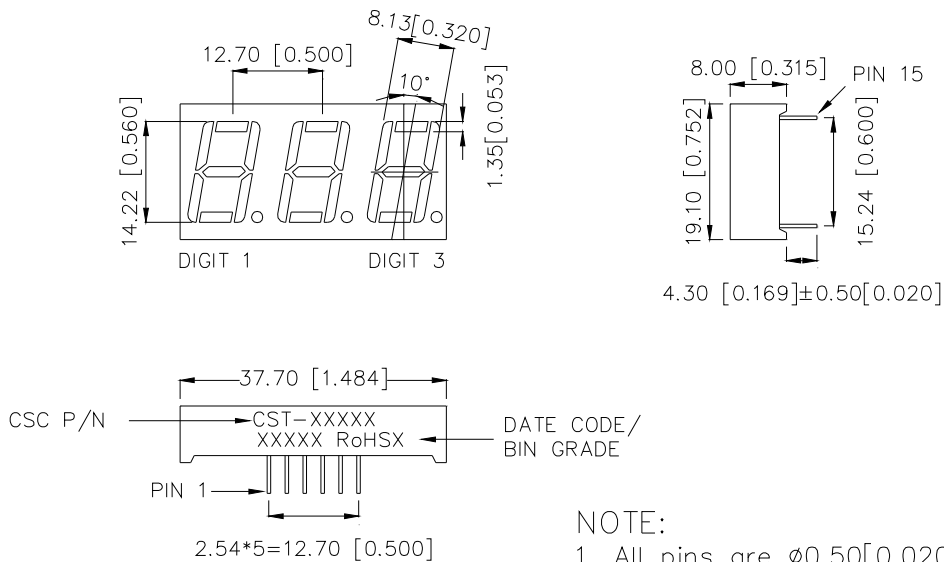
Tel:86-0575-88623888  
Fax:86-0575-88623112


**Model No : CST-532/533S**
**Features -**

1. 0.56 inch (14.2mm) digit height.
2. Case mold type.
3. RoHS compliant.
4. Low power consumption.
5. Easy mounting on P.C. board or socket.

**Device Selection Guide -**

Part No.	Chip		Description
	Material	Emitted Color	
<b>CST-532S</b>	<b>AlGaAs</b>	<b>Super Bright Red</b>	<b>Common Anode</b>
<b>CST-533S</b>	<b>AlGaAs</b>	<b>Super Bright Red</b>	<b>Common Cathode</b>

**Package Dimensions -**

**NOTE:**

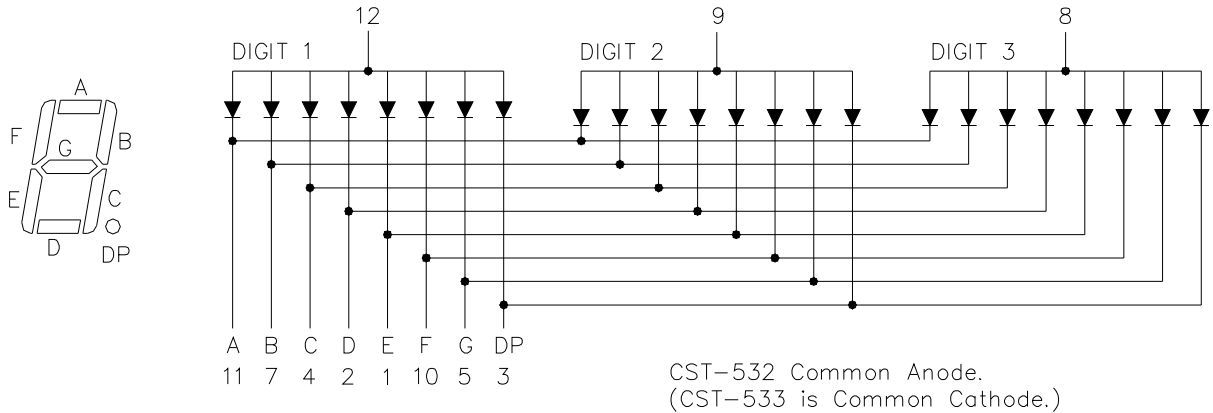
1. All pins are  $\phi 0.50 [0.020]$ .
2. Dimension in millimeters [inch], tolerance is  $\pm 0.25 [0.010]$  unless otherwise noted.



<b>Spec. No.</b>	PS-ND-08090115
<b>Rev.</b>	A

**Model No : CST-532/533S**

**Internal Circuit Diagrams -**



**Absolute Maximum Rating -**

(Ta=25°C)

Parameter	Symbol	Rating	Unit
Power Dissipation Per Dice	<b>PAD</b>	75	mW
Continuous Forward Current Per Dice	<b>IAF</b>	30	mA
Peak Current Per Dice(duty cycle 1/10, 1kHz)	<b>IPF</b>	120	mA
Derating Linear From 25°C Per Dice	-	0.42	mA/°C
Reverse Voltage Per Dice	<b>VR</b>	5	V
Operating Temp.	<b>Topr</b>	-35 ~ +85	°C
Storage Temp.	<b>Tstg</b>	-35 ~ +85	°C
Solder temperature 1/16 inch below seating plane for 3 seconds at 260°C			



**Model No : CST-532/533S**

■ **Electro-optical Characteristics -**

(Ta=25°C)

Parameter	Symbol	Min.	Typ.	Max.	Unit	Condition
Forward Voltage Per Segment	V <sub>F</sub>	-	1.8	2.5	V	I <sub>F</sub> =20mA
Luminous Intensity Per Segment	I <sub>v</sub>	-	6	-	mcd	I <sub>F</sub> =10mA
Peak Emission Wavelength	λ <sub>p</sub>	-	660	-	nm	I <sub>F</sub> =20mA
Dominant Wavelength	λ <sub>d</sub>	-	644	-	nm	I <sub>F</sub> =20mA
Spectrum Radiation Bandwidth	Δλ	-	20	-	nm	I <sub>F</sub> =20mA
Reverse Current	I <sub>R</sub>	-	-	100	μA	V <sub>R</sub> =5V
Luminous Intensity Matching Ratio	IV-m	-	-	2:1	-	I <sub>F</sub> =10mA



<b>Spec. No.</b>	PS-ND-08090115
<b>Rev.</b>	A

**Model No : CST-532/533S**

**Typical Electrical / Optical Characteristics Curves -**

**(Ta = 25°C Unless Otherwise Noted)**

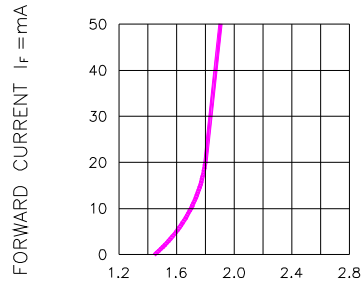


Fig.1 FORWARD CURRENT VS. FORWARD VOLTAGE

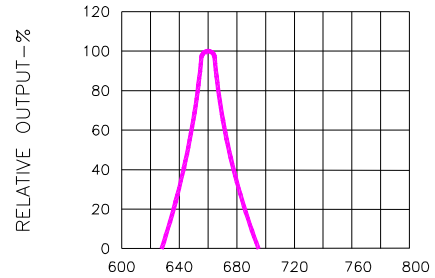


Fig.2 SPECTRAL RESPONSE

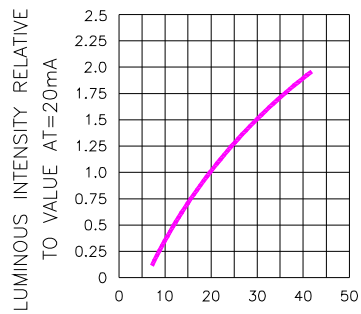


Fig.3 RELATIVE LUMINOUS INTENSITY VS. FORWARD CURRENT

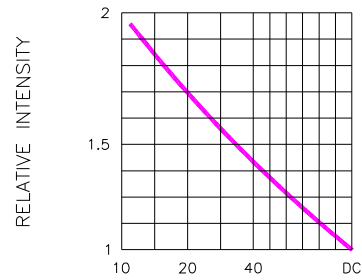


Fig.5 LUMINOUS INTENSITY VS. DUTY CYCLE

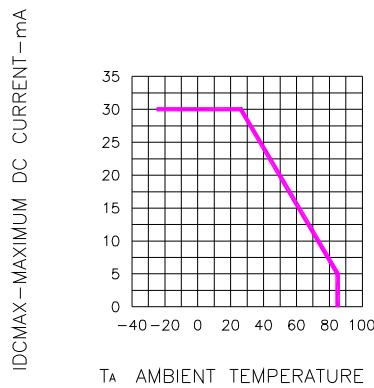


Fig.4 MAXIMUM ALLOWABLE DC CURRENT PER SEGMENT VS. A FUNCTION OF AMBIENT TEMPERATURE

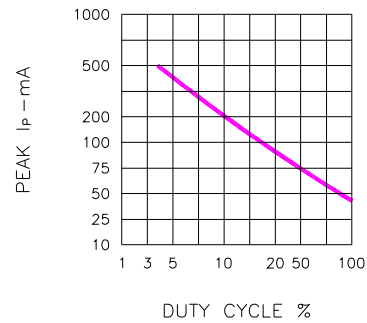


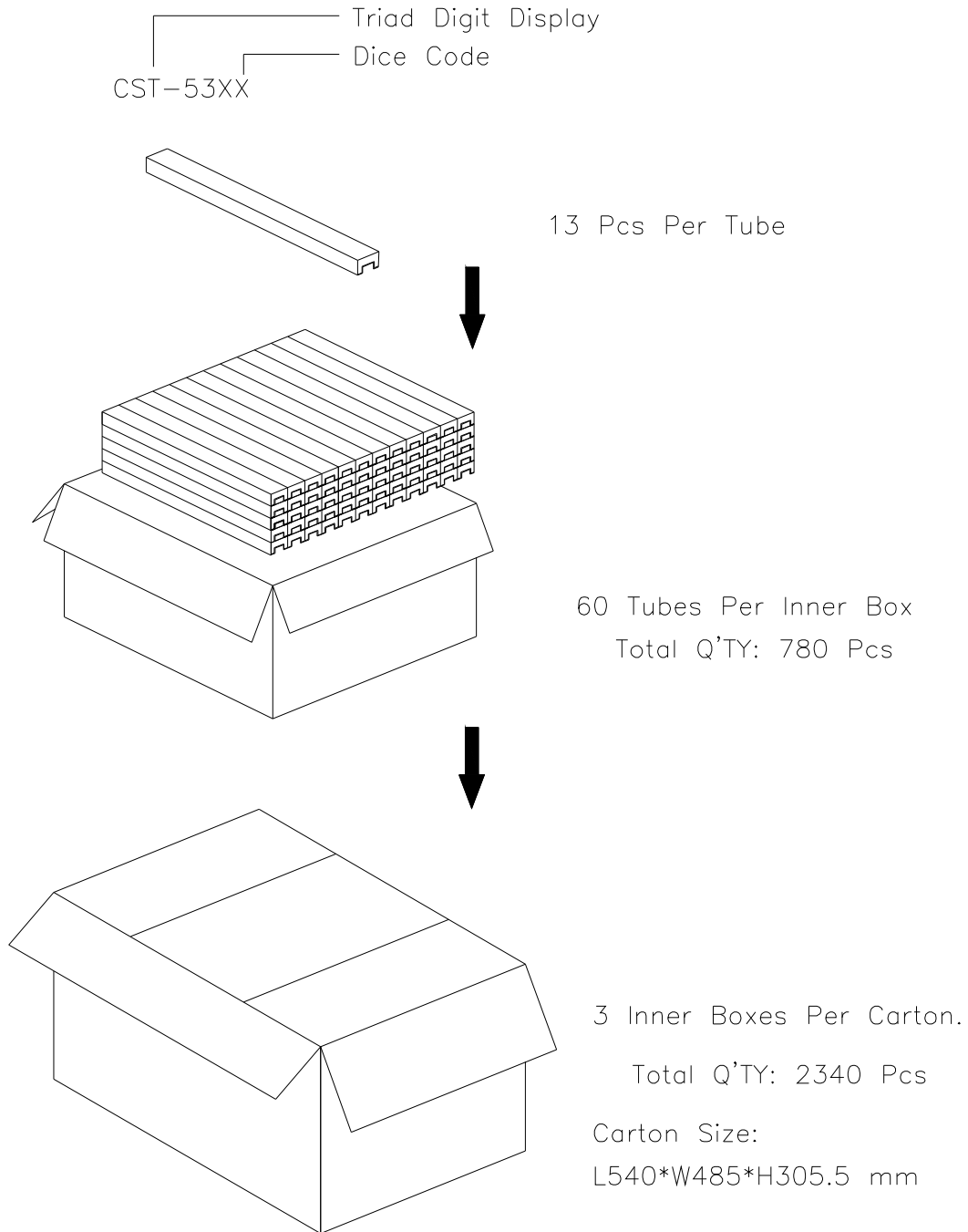
Fig.6 MAX PEAK CURRENT VS. DUTY CYCLE % (REFRESH RATE f=1 KHz)



<b>Spec. No.</b>	PS-ND-08090115
<b>Rev.</b>	A

**Model No : CST-532/533S**

■ Package Dimensions



Note: The specifications are subject to change without notice. Please contact us for updated information.