



<b>Spec. No.</b>	PS-ND-08090119
<b>Rev.</b>	A

# PRODUCT SPECIFICATION

**Model No : CST-534A9/535A9**

Descriptions:
<ul style="list-style-type: none"> <li>• 0.56 Inch Triad Digit Display</li> <li>• CST-534: Common Anode</li> <li>• CST-535: Common Cathode</li> <li>• Emitting Color: Super Bright Amber</li> </ul>



CUSTOMER APPROVED SIGNATURES	APPROVED BY	CHECKED BY	PREPARED BY

**CHINA SEMICONDUCTOR CORPORATION**

Address: 2FL. NO.909, Chung-Cheng Road,  
Chung-Ho City Taipei Hsien, Taiwan.

Tel: 886-2-2223-9696  
Fax: 886-2-2223-9377

**OPTO PLUS TECHNOLOGIES CO.,LTD**

Address: 696 Shun jiang Rd., Ji Shan St. Shaoxing,  
ZheJiang, China

Tel: 86-0575-88623888  
Fax: 86-0575-88623112



**Model No : CST-534/535A9**

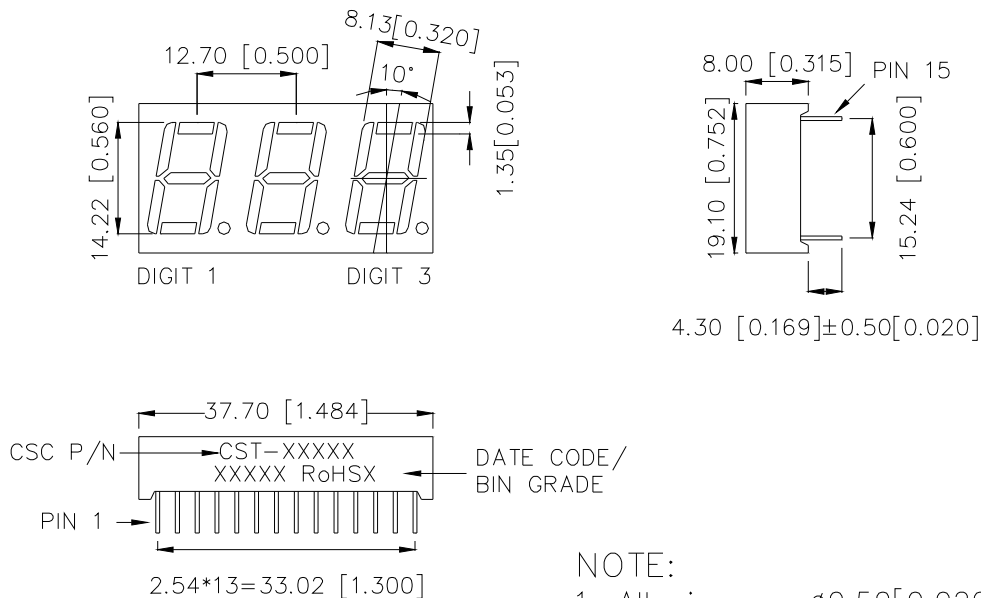
**Features -**

1. 0.56 inch (14.2mm) digit height.
2. Case mold type.
3. RoHS compliant.
4. Low power consumption.
5. Easy mounting on P.C. board or socket.

**Device Selection Guide -**

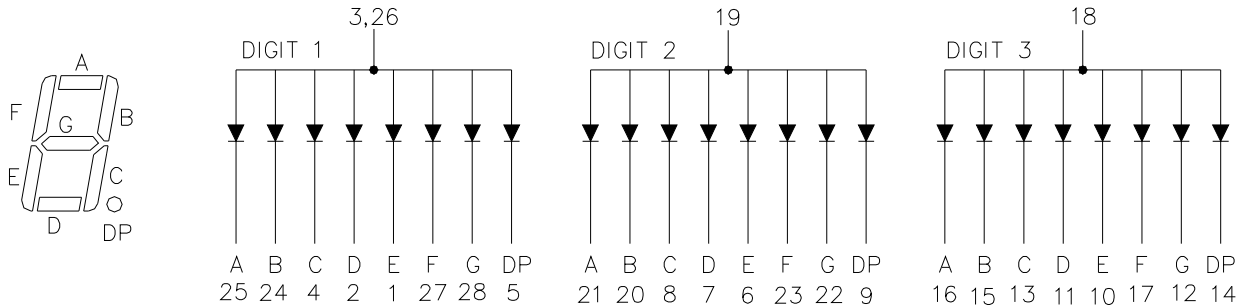
Part No.	Chip		Description
	Material	Emitted Color	
<b>CST-534A9</b>	<b>AlGaInP</b>	<b>Super Bright Amber</b>	<b>Common Anode</b>
<b>CST-535A9</b>	<b>AlGaInP</b>	<b>Super Bright Amber</b>	<b>Common Cathode</b>

**Package Dimensions -**



**NOTE:**

1. All pins are  $\phi 0.50 [0.020]$ .
2. Dimension in millimeter [inch], tolerance is  $\pm 0.25 [0.010]$  unless otherwise noted.


**Model No : CST-534/535A9**
**Internal Circuit Diagrams -**


CST-534 Common Anode.  
(CST-535 is Common Cathode.)

**Absolute Maximum Rating -**

( $T_a=25^{\circ}\text{C}$ )

Parameter	Symbol	Rating	Unit
Power Dissipation Per Dice	<b>P<sub>AD</sub></b>	70	mW
Continuous Forward Current Per Dice	<b>I<sub>AF</sub></b>	25	mA
Peak Current Per Dice(duty cycle 1/10, 1kHz)	<b>I<sub>PF</sub></b>	90	mA
Derating Linear From 25°C Per Dice	-	0.33	mA/°C
Reverse Voltage Per Dice	<b>V<sub>R</sub></b>	5	V
Operating Temp.	<b>T<sub>opr</sub></b>	-35 ~ +85	°C
Storage Temp.	<b>T<sub>stg</sub></b>	-35 ~ +85	°C
Solder temperature 1/16 inch below seating plane for 3 seconds at 260°C			



**Model No : CST-534/535A9**

■ **Electro-optical Characteristics -**

(Ta=25°C)

Parameter	Symbol	Min.	Typ.	Max.	Unit	Condition
Forward Voltage Per Segment	$V_F$	-	2.0	2.8	V	$I_F=20\text{mA}$
Luminous Intensity Per Segment	$I_v$	-	25	-	mcd	$I_F=10\text{mA}$
Peak Emission Wavelength	$\lambda_p$	-	612	-	nm	$I_F=20\text{mA}$
Dominant Wavelength	$\lambda_d$	-	606	-	nm	$I_F=20\text{mA}$
Spectrum Radiation Bandwidth	$\Delta \lambda$	-	20	-	nm	$I_F=20\text{mA}$
Reverse Current	$I_R$	-	-	100	$\mu\text{A}$	$V_R=5\text{V}$
Luminous Intensity Matching Ratio	<b>IV-m</b>	-	-	2:1	-	$I_F=10\text{mA}$



**Model No : CST-534/535A9**

**Typical Electrical / Optical Characteristics Curves -**

(Ta = 25°C Unless Otherwise Noted)

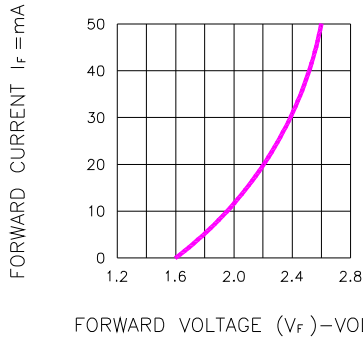


Fig.1 FORWARD CURRENT VS. FORWARD VOLTAGE

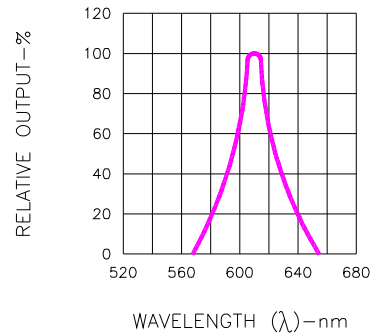


Fig.2 SPECTRAL RESPONSE

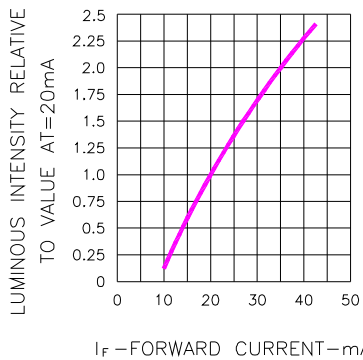


Fig.3 RELATIVE LUMINOUS INTENSITY VS. FORWARD CURRENT

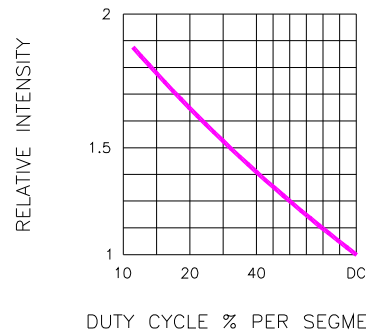


Fig.5 LUMINOUS INTENSITY VS. DUTY CYCLE

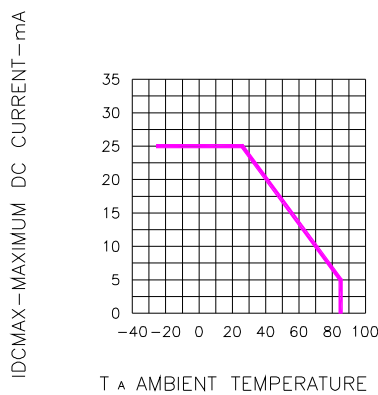


Fig.4 MAXIMUM ALLOWABLE DC CURRENT PER SEGMENT VS. A FUNCTION OF AMBIENT TEMPERATURE

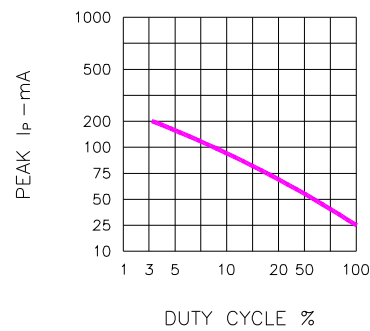


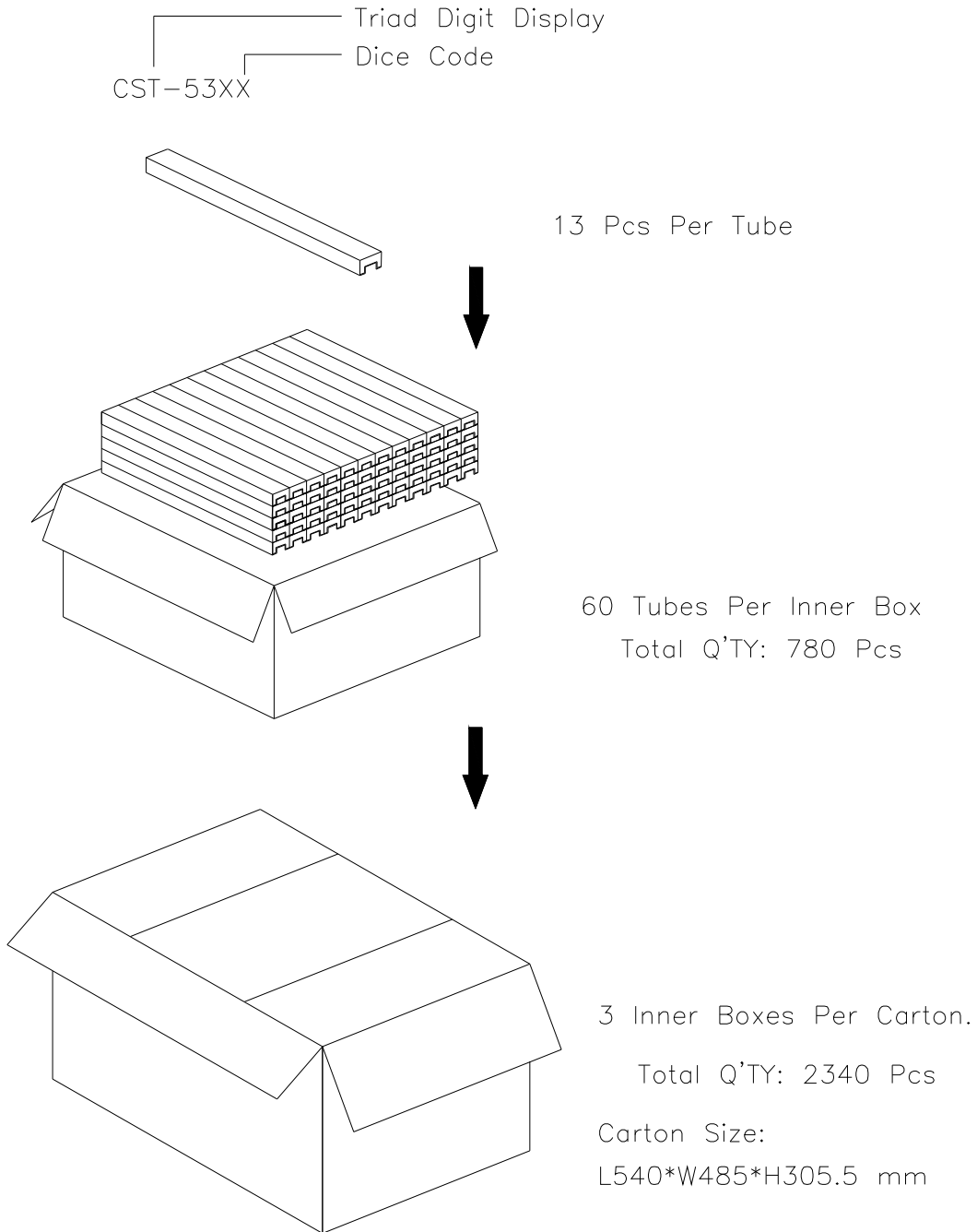
Fig.6 MAX PEAK CURRENT VS. DUTY CYCLE (REFRESH RATE f=1 KHz)



<b>Spec. No.</b>	PS-ND-08090119
<b>Rev.</b>	A

**Model No: CST-534/535A9**

■ Package Dimensions



Note: The specifications are subject to change without notice. Please contact us for updated information.