



PRODUCT SPECIFICATION

Model No : CST-534B7/535B7

Descriptions:

- 0.56 Inch Triad Digit Display
- CST-534: Common Anode
- CST-535: Common Cathode
- Emitting Color: Super Bright Blue



CUSTOMER APPROVED SIGNATURES	APPROVED BY	CHECKED BY	PREPARED BY

CHINA SEMICONDUCTOR CORPORATION

Address:2FL. NO.909,Chung-Cheng Road,
Chung-Ho City Taipei Hsien,Taiwan.

Tel:886-2-2223-9696
Fax:886-2-2223-9377

OPTO PLUS TECHNOLOGIES CO.,LTD

Address:696 Shun jiang Rd.,Ji Shan St.Shaoxing,
ZheJiang,China

Tel:86-0575-88623888
Fax:86-0575-88623112



Spec. No.	PS-ND-08090120
Rev.	A

Model No : CST-534/535B7

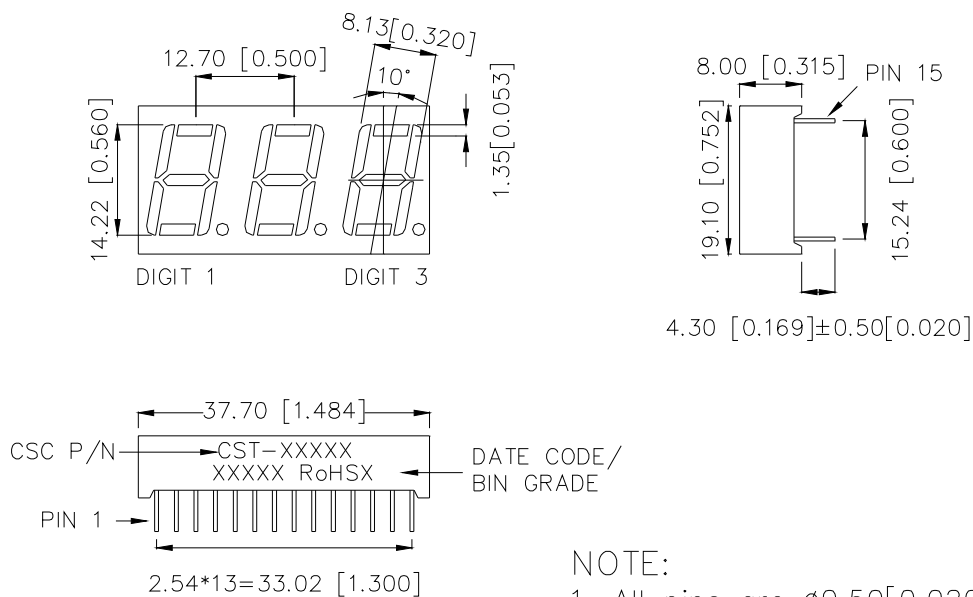
■ Features -

1. 0.56 inch (14.2mm) digit height.
2. Case mold type.
3. RoHS compliant.
4. Low power consumption.
5. ESD > 1KV(HBM)
6. Easy mounting on P.C. board or socket.

■ Device Selection Guide -

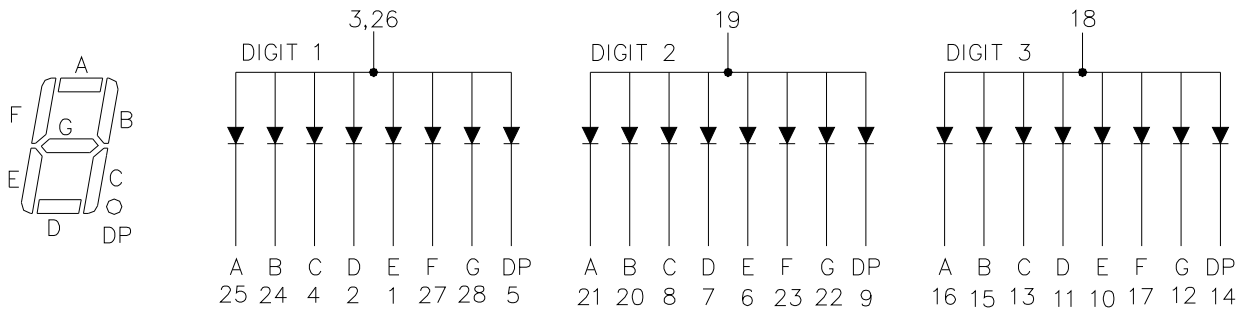
Part No.	Chip		Description
	Material	Emitted Color	
CST-534B7	InGaN	Super Bright Blue	Common Anode
CST-535B7	InGaN	Super Bright Blue	Common Cathode

■ Package Dimensions -



NOTE:

1. All pins are $\phi 0.50 [0.020]$.
2. Dimension in millimeter [inch], tolerance is $\pm 0.25 [0.010]$ unless otherwise noted.


Model No : CST-534/535B7
Internal Circuit Diagrams -


CST-534 Common Anode.
(CST-535 is Common Cathode.)

Absolute Maximum Rating -

(Ta=25°C)

Parameter	Symbol	Rating	Unit
Power Dissipation Per Dice	PAD	120	mW
Continuous Forward Current Per Dice	IAF	30	mA
Peak Current Per Dice(duty cycle 1/10, 1kHz)	IPF	100	mA
Derating Linear From 25°C Per Dice	-	0.4	mA/°C
Reverse Voltage Per Dice	VR	5	V
Operating Temp.	Topr	-35 ~ +85	°C
Storage Temp.	Tstg	-35 ~ +85	°C
Solder temperature 1/16 inch below seating plane for 3 seconds at 260°C			



Model No : CST-534/535B7

■ **Electro-optical Characteristics -**

(Ta=25°C)

Parameter	Symbol	Min.	Typ.	Max.	Unit	Condition
Forward Voltage Per Segment	V _F	-	3.5	4	V	I _F =20mA
Luminous Intensity Per Segment	I _v	-	20	-	mcd	I _F =10mA
Peak Emission Wavelength	λ _p	-	468	-	nm	I _F =20mA
Dominant Wavelength	λ _d	-	470	-	nm	I _F =20mA
Spectrum Radiation Bandwidth	Δλ	-	30	-	nm	I _F =20mA
Reverse Current	I _R	-	-	100	μA	V _R =5V
Luminous Intensity Matching Ratio	I _{V-m}	-	-	2:1	-	I _F =10mA



Spec. No.	PS-ND-08090120
Rev.	A

Model No : CST-534/535B7

Typical Electrical / Optical Charateristics Curves -

(Ta = 25°C Unless Otherwise Noted)

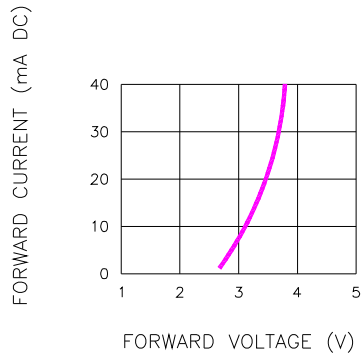


Fig.1 FORWARD CURRENT VS. FORWARD VOLTAGE

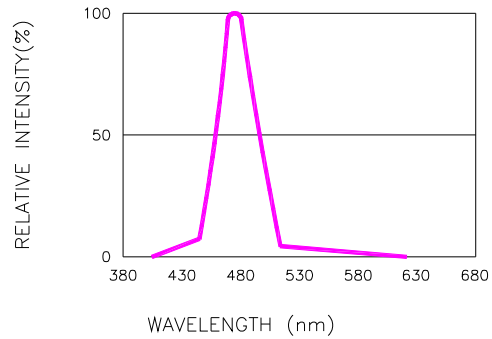
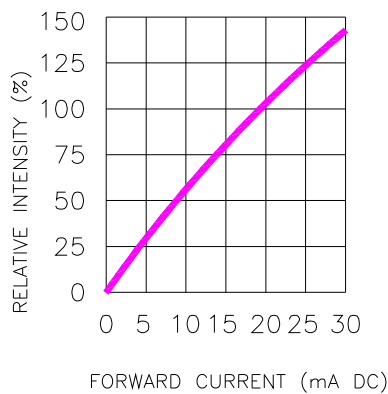
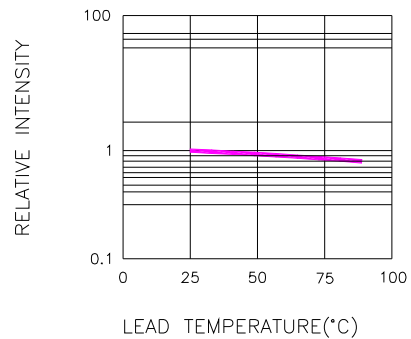


Fig.2 RELATIVE INTENSITY VS. WAVELENGTH



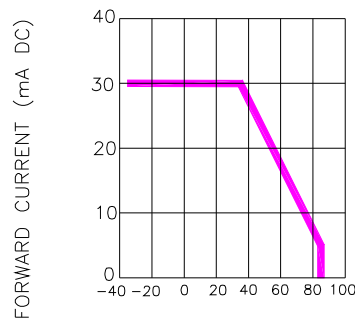
FORWARD CURRENT (mA DC)

Fig.3 RELATIVE INTENSITY VS. FORWARD CURRENT



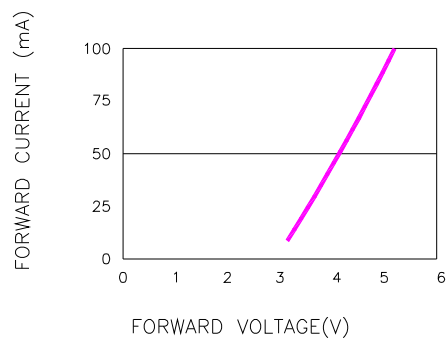
LEAD TEMPERATURE(°C)

Fig.4 RELATIVE INTENSITY VS.LEAD TEMPERATURE
(PULSED 20 mA; 300us
PULSE,10ms PERIOD)



T_a AMBIENT TEMPERATURE (°C)

Fig.5 FORWARD CURRENT VS. AMBIENT TEMPERATURE



FORWARD VOLTAGE(V)

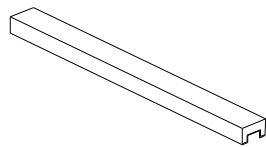
Fig.6 PEAK FORWARD VOLTAGE VS.FORWARD(100us TEST PULSE,
1% DUTY CYCLE)



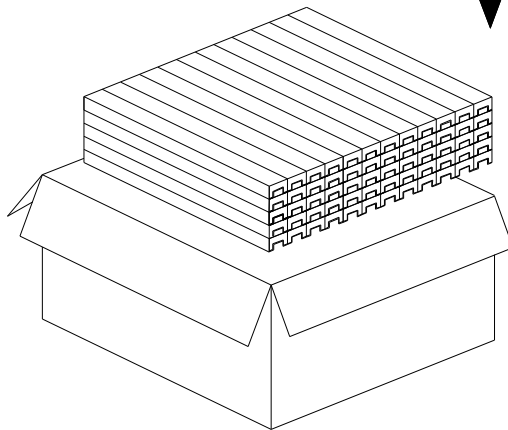
Spec. No.	PS-ND-08090111
Rev.	A

Model No: CST-534/535B7

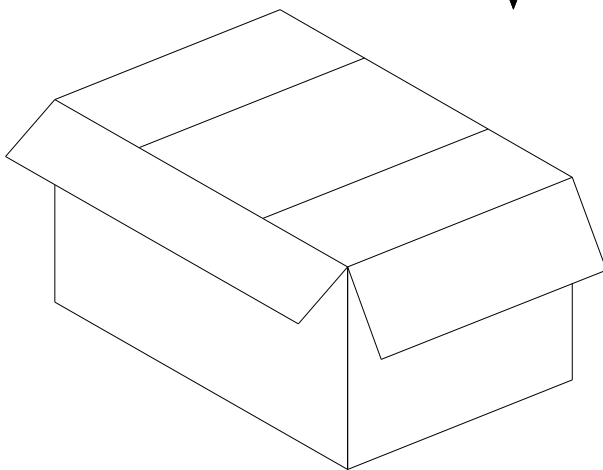
■ Package Dimensions



13 Pcs Per Tube



60 Tubes Per Inner Box
Total Q'TY: 780 Pcs



3 Inner Boxes Per Carton.

Total Q'TY: 2340 Pcs

Carton Size:

L540*W485*H305.5 mm

Note: The specifications are subject to change without notice. Please contact us for updated information.