

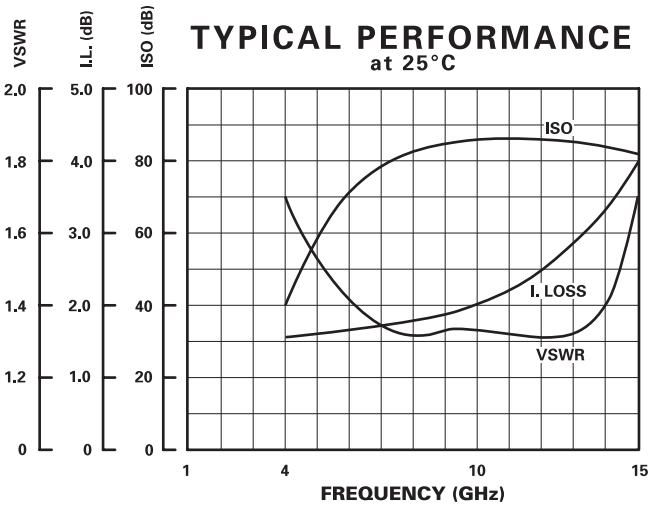
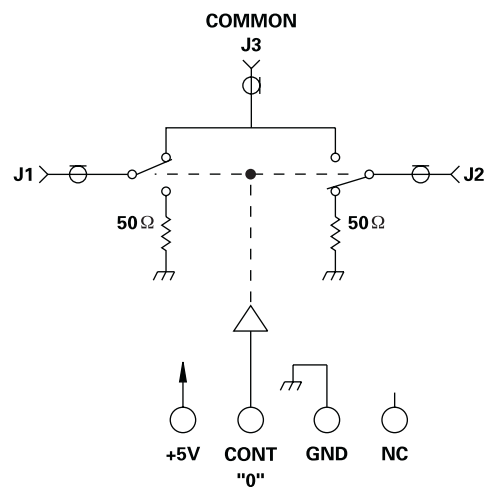
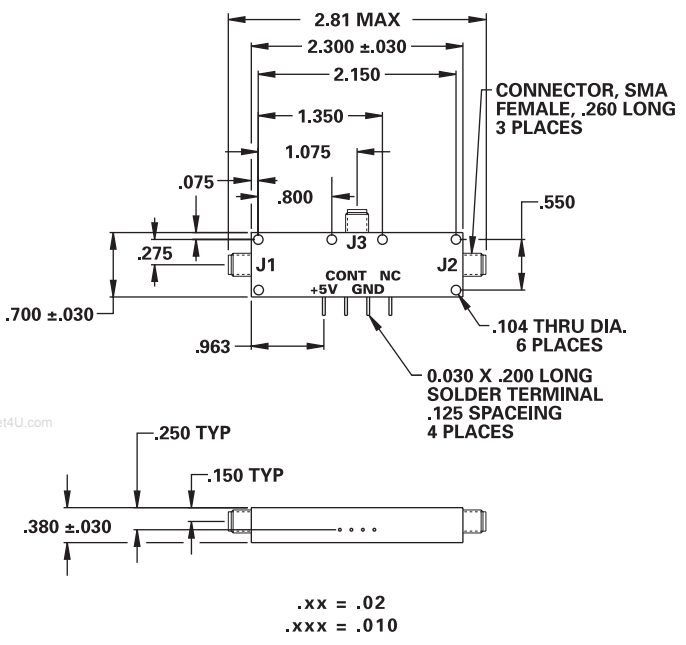


**MODEL NUMBER  
CSW26323**

**Diode SP2T**

- FEATURES**
- 8000-12000 MHz
  - Space Application
  - Hermetic Package
  - Radiation Tolerant, 100 K Rad
  - Connectorized

**SP2T**



**GUARANTEED PERFORMANCE**

Parameter	Min	Typ	Max	Units	Conditions
Operating Frequency	8000		12000	MHz	
DC Current	34		45	mA	At +5 VDC Supply
Control Type		TTL			1 Line
Control Current	High Low	0	±10 ±40	µA	V <sub>IH</sub> = +2.0V V <sub>IL</sub> = +0.8V
Insertion Loss		2.4	5.0	dB	
Isolation	70	80		dB	
VSWR	Thru Termination	1.4/1 1.7/1	2.0/1 2.0/1	dB	
Impedance		50		OHMS	
Switching Speed			200	nSec	50% TTL - 90% / 10% RF
Intercept Points	2nd 3rd			dBm dBm	
RF Power	Operate No Damage Internal Terminations		+10 +27	dBm dBm dBm	1.0 dB Compression
Operating Temperature	-55	+25	+125	°C	TA